

**Robert Bosch Power Tools GmbH**  
70538 Stuttgart  
GERMANY

[www.bosch-pt.com](http://www.bosch-pt.com)

**1 609 92A 3NH** (2017.02) PS / 16



1 609 92A 3NH

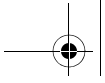
# GDC Professional

120 | 121

 **BOSCH**

**en** Original instructions  
**hi** मूल ऑपरेटिंग निर्देश

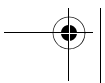
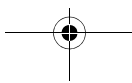
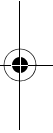


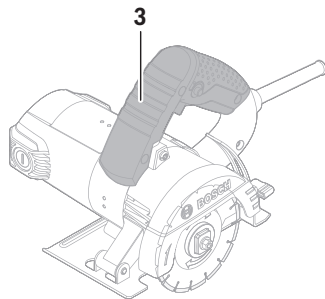
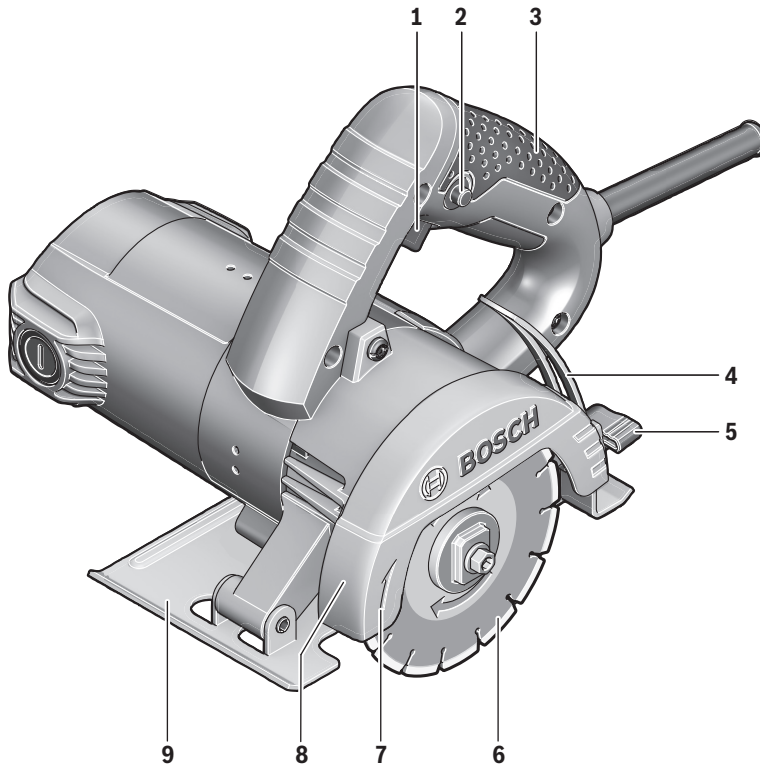


2 |

English ..... Page 5

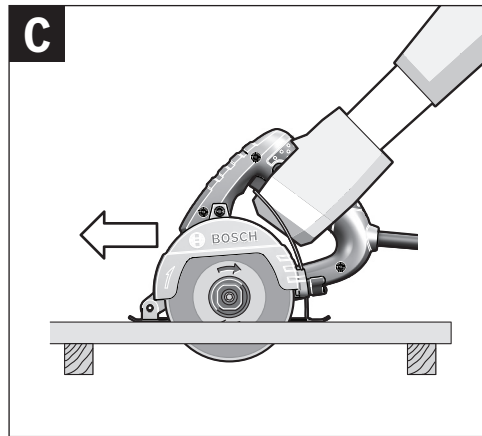
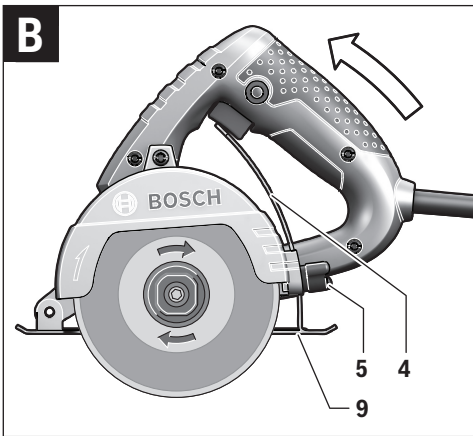
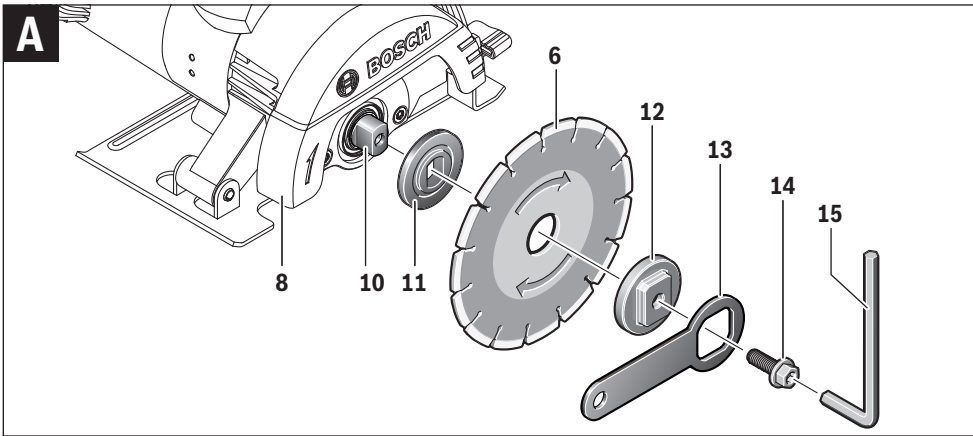
हिंदी ..... पृष्ठ 10





**GDC 120**

4 |



## English

### Safety Notes

#### General Power Tool Safety Warnings

**⚠ WARNING** Read all safety warnings and all instructions. Failure to follow the warnings and instructions may result in electric shock, fire and/or serious injury.

#### Save all warnings and instructions for future reference.

The term "power tool" in the warnings refers to your mains-operated (corded) power tool or battery-operated (cordless) power tool.

#### Work area safety

- ▶ **Keep work area clean and well lit.** Cluttered or dark areas invite accidents.
- ▶ **Do not operate power tools in explosive atmospheres, such as in the presence of flammable liquids, gases or dust.** Power tools create sparks which may ignite the dust or fumes.
- ▶ **Keep children and bystanders away while operating a power tool.** Distractions can cause you to lose control.

#### Electrical safety

- ▶ **Power tool plugs must match the outlet. Never modify the plug in any way. Do not use any adapter plugs with earthed (grounded) power tools.** Unmodified plugs and matching outlets will reduce risk of electric shock.
- ▶ **Avoid body contact with earthed or grounded surfaces, such as pipes, radiators, ranges and refrigerators.** There is an increased risk of electric shock if your body is earthed or grounded.
- ▶ **Do not expose power tools to rain or wet conditions.** Water entering a power tool will increase the risk of electric shock.
- ▶ **Do not abuse the cord. Never use the cord for carrying, pulling or unplugging the power tool. Keep cord away from heat, oil, sharp edges and moving parts.** Damaged or entangled cords increase the risk of electric shock.
- ▶ **When operating a power tool outdoors, use an extension cord suitable for outdoor use.** Use of a cord suitable for outdoor use reduces the risk of electric shock.
- ▶ **If operating a power tool in a damp location is unavoidable, use a residual current device (RCD) protected supply.** Use of an RCD reduces the risk of electric shock.

#### Personal safety

- ▶ **Stay alert, watch what you are doing and use common sense when operating a power tool. Do not use a power tool while you are tired or under the influence of drugs, alcohol or medication.** A moment of inattention while operating power tools may result in serious personal injury.
- ▶ **Use personal protective equipment. Always wear eye protection.** Protective equipment such as dust mask, non-skid safety shoes, hard hat, or hearing protection

used for appropriate conditions will reduce personal injuries.

- ▶ **Prevent unintentional starting. Ensure the switch is in the off-position before connecting to power source and/or battery pack, picking up or carrying the tool.** Carrying power tools with your finger on the switch or energising power tools that have the switch on invites accidents.
- ▶ **Remove any adjusting key or wrench before turning the power tool on.** A wrench or a key left attached to a rotating part of the power tool may result in personal injury.
- ▶ **Do not overreach. Keep proper footing and balance at all times.** This enables better control of the power tool in unexpected situations.
- ▶ **Dress properly. Do not wear loose clothing or jewellery. Keep your hair, clothing and gloves away from moving parts.** Loose clothes, jewellery or long hair can be caught in moving parts.
- ▶ **If devices are provided for the connection of dust extraction and collection facilities, ensure these are connected and properly used.** Use of dust collection can reduce dust-related hazards.

#### Power tool use and care

- ▶ **Do not force the power tool. Use the correct power tool for your application.** The correct power tool will do the job better and safer at the rate for which it was designed.
- ▶ **Do not use the power tool if the switch does not turn it on and off.** Any power tool that cannot be controlled with the switch is dangerous and must be repaired.
- ▶ **Disconnect the plug from the power source and/or the battery pack from the power tool before making any adjustments, changing accessories, or storing power tools.** Such preventive safety measures reduce the risk of starting the power tool accidentally.
- ▶ **Store idle power tools out of the reach of children and do not allow persons unfamiliar with the power tool or these instructions to operate the power tool.** Power tools are dangerous in the hands of untrained users.
- ▶ **Maintain power tools. Check for misalignment or binding of moving parts, breakage of parts and any other condition that may affect the power tool's operation. If damaged, have the power tool repaired before use.** Many accidents are caused by poorly maintained power tools.
- ▶ **Keep cutting tools sharp and clean.** Properly maintained cutting tools with sharp cutting edges are less likely to bind and are easier to control.
- ▶ **Use the power tool, accessories and tool bits etc. in accordance with these instructions, taking into account the working conditions and the work to be performed.** Use of the power tool for operations different from those intended could result in a hazardous situation.

#### Service

- ▶ **Have your power tool serviced by a qualified repair person using only identical replacement parts.** This will ensure that the safety of the power tool is maintained.

## 6 | English

**Cut-off machine safety warnings**

- ▶ **The guard provided with the tool must be securely attached to the power tool and positioned for maximum safety, so the least amount of wheel is exposed towards the operator. Position yourself and bystanders away from the plane of the rotating wheel.** The guard helps to protect operator from broken wheel fragments and accidental contact with wheel.
- ▶ **Use only diamond cut-off wheels for your power tool.** Just because an accessory can be attached to your power tool, it does not assure safe operation.
- ▶ **The rated speed of the accessory must be at least equal to the maximum speed marked on the power tool.** Accessories running faster than their rated speed can break and fly apart.
- ▶ **Wheels must be used only for recommended applications. For example: do not grind with the side of cut-off wheel.** Abrasive cut-off wheels are intended for peripheral grinding, side forces applied to these wheels may cause them to shatter.
- ▶ **Always use undamaged wheel flanges that are of correct diameter for your selected wheel.** Proper wheel flanges support the wheel thus reducing the possibility of wheel breakage.
- ▶ **The outside diameter and the thickness of your accessory must be within the capacity rating of your power tool.** Incorrectly sized accessories cannot be adequately guarded or controlled.
- ▶ **The arbour size of wheels and flanges must properly fit the spindle of the power tool.** Wheels and flanges with arbour holes that do not match the mounting hardware of the power tool will run out of balance, vibrate excessively and may cause loss of control.
- ▶ **Do not use damaged wheels. Before each use, inspect the wheels for chips and cracks. If power tool or wheel is dropped, inspect for damage or install an undamaged wheel. After inspecting and installing the wheel, position yourself and bystanders away from the plane of the rotating wheel and run the power tool at maximum no load speed for one minute.** Damaged wheels will normally break apart during this test time.
- ▶ **Wear personal protective equipment. Depending on application, use face shield, safety goggles or safety glasses. As appropriate, wear dust mask, hearing protectors, gloves and workshop apron capable of stopping small abrasive or workpiece fragments.** The eye protection must be capable of stopping flying debris generated by various operations. The dust mask or respirator must be capable of filtrating particles generated by your operation. Prolonged exposure to high intensity noise may cause hearing loss.
- ▶ **Keep bystanders a safe distance away from work area. Anyone entering the work area must wear personal protective equipment.** Fragments of workpiece or of a broken accessory may fly away and cause injury beyond immediate area of operation.

- ▶ **Hold the power tool by insulated gripping surfaces only, when performing an operation where the cutting accessory may contact hidden wiring or its own cord.** Cutting accessory contacting a "live" wire may make exposed metal parts of the power tool "live" and could give the operator an electric shock.
- ▶ **Position the cord clear of the spinning accessory.** If you lose control, the cord may be cut or snagged and your hand or arm may be pulled into the spinning wheel.
- ▶ **Never lay the power tool down until the accessory has come to a complete stop.** The spinning wheel may grab the surface and pull the power tool out of your control.
- ▶ **Do not run the power tool while carrying it at your side.** Accidental contact with the spinning accessory could snag your clothing, pulling the accessory into your body.
- ▶ **Regularly clean the power tool's air vents.** The motor's fan will draw the dust inside the housing and excessive accumulation of powdered metal may cause electrical hazards.
- ▶ **Do not operate the power tool near flammable materials.** Sparks could ignite these materials.
- ▶ **Do not use accessories that require liquid coolants.** Using water or other liquid coolants may result in electrocution or shock.

**Kickback and related warnings**

- ▶ **Kickback is a sudden reaction to a pinched or snagged rotating wheel. Pinching or snagging causes rapid stalling of the rotating wheel which in turn causes the uncontrolled power tool to be forced in the direction opposite of the wheel's rotation at the point of the binding.**  
For example, if an abrasive wheel is snagged or pinched by the workpiece, the edge of the wheel that is entering into the pinch point can dig into the surface of the material causing the wheel to climb out or kick out. The wheel may either jump toward or away from the operator, depending on direction of the wheel's movement at the point of pinching. Abrasive wheels may also break under these conditions.  
Kickback is the result of power tool misuse and/or incorrect operating procedures or conditions and can be avoided by taking proper precautions as given below.
- ▶ **Maintain a firm grip on the power tool and position your body and arm to allow you to resist kickback forces. Always use auxiliary handle, if provided, for maximum control over kickback or torque reaction during start-up.** The operator can control torque reactions or kickback forces, if proper precautions are taken.
- ▶ **Never place your hand near the rotating accessory.** Accessory may kickback over your hand.
- ▶ **Do not position your body in line with the rotating wheel.** Kickback will propel the tool in direction opposite to the wheel's movement at the point of snagging.
- ▶ **Use special care when working corners, sharp edges, etc. Avoid bouncing and snagging the accessory.** Corners, sharp edges or bouncing have a tendency to snag the rotating accessory and cause loss of control or kickback.

- ▶ **Do not attach a saw chain, woodcarving blade, segmented diamond wheel with a peripheral gap greater than 10 mm or toothed saw blade.** Such blades create frequent kickback and loss of control.
- ▶ **Do not “jam” the wheel or apply excessive pressure. Do not attempt to make an excessive depth of cut.** Overstressing the wheel increases the loading and susceptibility to twisting or binding of the wheel in the cut and the possibility of kickback or wheel breakage.
- ▶ **When wheel is binding or when interrupting a cut for any reason, switch off the power tool and hold the power tool motionless until the wheel comes to a complete stop. Never attempt to remove the wheel from the cut while the wheel is in motion otherwise kickback may occur.** Investigate and take corrective action to eliminate the cause of wheel binding.
- ▶ **Do not restart the cutting operation in the workpiece. Let the wheel reach full speed and carefully re-enter the cut.** The wheel may bind, walk up or kickback if the power tool is restarted in the workpiece.
- ▶ **Support panels or any oversized workpiece to minimize the risk of wheel pinching and kickback.** Large workpieces tend to sag under their own weight. Supports must be placed under the workpiece near the line of cut and near the edge of the workpiece on both sides of the wheel.
- ▶ **Use extra caution when making a “pocket cut” into existing walls or other blind areas.** The protruding wheel may cut gas or water pipes, electrical wiring or objects that can cause kickback.

#### Additional safety warnings



**Wear safety goggles.**



**Wear a dust respirator.**

- ▶ **Use clamps or another practical way to secure and support the workpiece to a stable platform.** Holding the work by your hand or against the body leaves it unstable and may lead to loss of control.
- ▶ **Wear hearing protection, safety goggles, dust mask and gloves. As dust mask, use at least a particle filtering half mask of filter class FFP 2.**
- ▶ **Use suitable detectors to determine if utility lines are hidden in the work area or call the local utility company for assistance.** Contact with electric lines can lead to fire and electric shock. Damaging a gas line can lead to explosion. Penetrating a water line causes property damage or may cause an electric shock.
- ▶ **Do not touch the cutting disc after working before it has cooled.** The cutting disc becomes very hot while working.

- ▶ **When working with the machine, always hold it firmly with both hands and provide for a secure stance.** The power tool is guided more secure with both hands.

- ▶ **Products sold in GB only:** Your product is fitted with a BS 1363/A approved electric plug with internal fuse (ASTA approved to BS 1362).

If the plug is not suitable for your socket outlets, it should be cut off and an appropriate plug fitted in its place by an authorised customer service agent. The replacement plug should have the same fuse rating as the original plug.

The severed plug must be disposed of to avoid a possible shock hazard and should never be inserted into a mains socket elsewhere.

**Products sold in AUS and NZ only:** Use a residual current device (RCD) with a rated residual current of 30 mA or less.

## Product Description and Specifications



**Read all safety warnings and all instructions.** Failure to follow the warnings and instructions may result in electric shock, fire and/or serious injury.

### Intended Use

With firm support of the base plate and using the blade guard, the machine is intended for horizontal cutting or slotting of mainly mineral materials such as marble without the use of water. The machine is not intended for cutting in wood, plastic or metal.

### Product Features

The numbering of the product features refers to the illustration of the machine on the graphics page.

- 1 On/Off switch
- 2 Lock-on button for On/Off switch
- 3 Handle (insulated gripping surface)
- 4 Cutting-depth scale
- 5 Wing bolt for cutting depth preselection
- 6 Diamond cutting disc\*
- 7 Direction-of-rotation arrow for grinding spindle
- 8 Blade guard
- 9 Base plate
- 10 Drive spindle
- 11 Mounting flange
- 12 Clamping flange
- 13 Ring spanner
- 14 Clamping bolt
- 15 Hex key

\*Accessories shown or described are not part of the standard delivery scope of the product. A complete overview of accessories can be found in our accessories program.

## 8 | English

**Technical Data**

Masonry Saw		GDC 120	GDC 121
Article number		3 601 C93 0..	3 601 C93 1..
Rated power input	W	1200	1250
Rated speed	min <sup>-1</sup>	12000	12000
Max. diameter for diamond cutting discs	mm	110/115	125
Cutting discs width, min.	mm	1.6	1.6
Cutting discs width, max.	mm	2.2	2.2
Mounting bore	mm	20	20
Cutting depth, max.	mm	34/36	40
Weight according to EPTA-Procedure 01:2014	kg	2.8	3.0
Protection class		□/II	□/II

The values given are valid for a nominal voltage [U] of 230 V. For different voltages and models for specific countries, these values can vary.

**Assembly**

- ▶ **Before any work on the machine itself, pull the mains plug.**

**Dust Extraction**

- ▶ Dust from materials such as lead-containing coatings, some wood types, minerals and metal can be harmful to one's health. Touching or breathing-in the dust can cause allergic reactions and/or lead to respiratory infections of the user or bystanders. Certain dust, such as oak or beech dust, is considered carcinogenic, especially in connection with wood-treatment additives (chromate, wood preservative). Materials containing asbestos may only be worked by specialists.
  - Provide for good ventilation of the working place.
  - It is recommended to wear a P2 filter-class respirator.
 Observe the relevant regulations in your country for the materials to be worked.

- ▶ **Prevent dust accumulation at the workplace.** Dust can easily ignite.

**Mounting/Replacing the Diamond Cutting Disc (see figure A)**

- ▶ **When mounting and replacing diamond cutting discs, it is recommended to wear protective gloves.**
- ▶ **Diamond cutting discs become very hot during operation; do not touch them until they have cooled down.**
- ▶ **Always use a correctly sized diamond cutting disc with the fitting mounting hole that corresponds with the information listed in the technical data.**
- ▶ **Use only diamond-tipped cutting discs. Segmented diamond wheels may only have negative cutting angles and slots between the segments to a maximum of 10 mm.**

**Mounting the Diamond Cutting Disc**

- Clean the diamond cutting disc **6** and all clamping parts to be mounted.
- Mount the mounting flange **11** onto the drive spindle **10**.

- Place the diamond cutting disc **6** onto the mounting flange **11**. The direction arrow on the diamond cutting disc **6** and the direction-of-rotation arrow on the blade guard **8** must correspond.
- Mount the clamping flange **12** and screw in the clamping bolt **14**.
- Hold the clamping flange **12** with the ring spanner **13** and tighten the clamping bolt **14** with the hex key **15**.

**Removal of the Diamond Cutting Disc**

- Hold the clamping flange **12** with the ring spanner **13** and loosen the clamping bolt **14** with the hex key **15**.
- Remove the clamping flange **12** and diamond cutting disc **6** from the drive spindle **10**.

**Operation****Operating Modes**

- ▶ **Before any work on the machine itself, pull the mains plug.**

**Pre-selecting the Cutting Depth (see figure B)**

- ▶ **The cutting depth may only be pre-selected when the machine is switched off.**

Adapt the cutting depth to the thickness of the workpiece. For optimum results, the diamond cutting disc must protrude approx. 2 mm out of the material.

- Loosen wing bolt **5**. For a smaller cutting depth, pull the machine from the base plate **9**; for a larger cutting depth, push the machine toward the base plate **9**. Adjust the desired cutting depth at the cutting-depth scale **4**. Tighten wing bolt **5** again.

**Starting Operation**

- ▶ **Observe correct mains voltage! The voltage of the power source must agree with the voltage specified on the nameplate of the machine. Power tools marked with 230 V can also be operated with 220 V.**



### Switching On and Off

To save energy, only switch the power tool on when using it.

- To **start** the machine, press the On/Off switch **1** and keep it pressed.
- To **lock** the pressed On/Off switch **1**, press the lock-on button **2**.
- To **switch off** the machine, release the On/Off switch **1** or when it is locked with the lock-on button **2**, briefly press the On/Off switch **1** and then release it.

- ▶ **Check the diamond cutting discs before use. The diamond cutting disc(s) must be mounted properly and be able to rotate freely. Carry out a test run for at least one minute without any load. Do not use diamond cutting discs that are damaged, out-of-balance, or vibrate.**

Damaged diamond cutting discs can rupture and lead to injuries.

### Working Advice

- ▶ **Exercise caution when cutting slots in structural walls; see Section "Information on Structures".**
- ▶ **Do not strain the machine so heavily that it comes to a standstill.**
- ▶ **After heavily straining the power tool, continue to run it at no-load for several minutes to cool down the accessory.**
- ▶ **For cutting-depths greater than 20 mm in hard materials, e. g., concrete, apply several worksteps so that the motor is not overloaded.**
- ▶ **Clamp the workpiece if it does not remain stationary due to its own weight.**
- ▶ **The machine may only be used for dry cutting.**
- ▶ **Diamond cutting discs become very hot during operation; do not touch them until they have cooled down.**

Protect the cutting disc against impact, shock and grease. Do not subject the cutting disc to lateral pressure.

Do not brake coasting diamond cutting discs by applying side-ward pressure.

For cutting especially hard material, e. g., concrete with high pebble content, the diamond cutting disc can overheat and become damaged as a result. This is clearly indicated by circular sparking, rotating with the diamond cutting disc.

In this case, interrupt the cutting process and allow the diamond cutting disc to cool by running the machine for a short time at maximum speed with no load.

Noticeably decreasing work progress and circular sparking are indications of a diamond cutting disc that has become dull. Briefly cutting into abrasive material (e. g. lime-sand brick) can resharpen the disc again.

### Direction of Cut (see figure C)

The machine must always work in an up-grinding motion. Otherwise, the danger exists of it being pushed **uncontrolled** out of the cut.

### Information on Structures

Slots in structural walls are subject to the Standard DIN 1053 Part 1, or country-specific regulations.

These regulations are to be observed under all circumstances. Before beginning work, consult the responsible structural engineer, architect or the construction supervisor.

## Maintenance and Service

### Maintenance and Cleaning

- ▶ **Before any work on the machine itself, pull the mains plug.**
- ▶ **For safe and proper working, always keep the machine and ventilation slots clean.**

If the replacement of the supply cord is necessary, this has to be done by Bosch or an authorized Bosch service agent in order to avoid a safety hazard.

### After-sales Service and Application Service

Our after-sales service responds to your questions concerning maintenance and repair of your product as well as spare parts. Exploded views and information on spare parts can also be found under:

**www.bosch-pt.com**

Bosch's application service team will gladly answer questions concerning our products and their accessories.

In all correspondence and spare parts orders, please always include the 10-digit article number given on the nameplate of the product.

#### India

Bosch Service Center  
67, Mathiravedu, Velappan Chavdy, Ponamalle High Road,  
Numbal Village  
Chennai – 600077  
Phone: (044) 64561816

Bosch Service Center  
Rishyamook, 85A, Panchkuin Road  
Delhi – 110001  
Phone: (011) 43166190

Bosch Service Center  
41, 41A, Appa Baug Bldg, Maharshi Karve Marg, Opp Charni  
Road Station  
Mumbai – 400002  
Phone: (022) 22014649

### Disposal

The machine, accessories and packaging should be sorted for environmental-friendly recycling.



Do not dispose of power tools into household waste!

**Subject to change without notice.**

# हिंदी

## सुरक्षा निर्देश

### पावर टूलस सम्बंधित सामान्य सुरक्षा निर्देश

**⚠ चेतावनी** कृपया सभी सुरक्षा निर्देश एवं सलाहों को पढ़ें। सुरक्षा चेतावनियाँ और सभी निर्देशों का अनुपालन नहीं करने पर बिजली के झटके, आग और गंभीर चोटें लग सकती हैं।

**सभी सुरक्षा निर्देशों को एवं सलाहों को भविष्य के लिए संभल के रखें।**

सुरक्षा निर्देशों में इस्तेमाल की गई संज्ञा पावर टूलस बिजली पर चलनेवाले पावर टूलस (वायर के साथ) और बिना बिजली के चलने वाले (बैटरी पर चलने वाले) पावर टूलस को संबोधित करती हैं।

### कार्य स्थल सुरक्षा

- ▶ अपने कार्य क्षेत्र को साफ़ एवं रोशन रखें। अस्वच्छ अथवा कम रोशनी होने वाले कार्य स्थल दुर्घटनाओं का कारण बन सकते हैं।
- ▶ विस्फोटक द्रव्य, गैस, अथवा धूल वाले संभाव्य विस्फोटक वातावरणों में पावर टूलस के साथ काम नहीं करें। पावर टूलस से निर्मित चिंगारियों से धूल या धुआँ आग हैड़ल सकता है।
- ▶ पावर टूलस से काम करते समय बच्चों एवं अन्य लोगोंको दूर रखें। विचलित होने से पावर टूल पर से नियंत्रण छूट सकता है।

### इलेक्ट्रिक सुरक्षा

- ▶ पावर टूल का कनेक्शन प्लग स्विच से मिलता हुआ होना चाहिए। किसी भी स्थिति में प्लग बदला नहीं जाना चाहिए। सुरक्षात्मक अर्थिग युक्त किसी भी एडाप्टर प्लग का इस्तेमाल नहीं करें। असंशोधित प्लग तथा सुयोग्य स्विच बोर्ड्स बिजली के झटके का खतरा कम करता है।
- ▶ ग्राउंड किए गए पृष्ठपुर्जे जैसे पाइप्स, रेडिएटर्स, ओवहन या फ्रिज से शारीर के अवयवों का संपर्क नहीं होने दें। जब आपका शारीर ग्राउंड होता है, बिजली के झटके का खतरा बढ़ता है।
- ▶ पावर टूलस को बारिश तथा नमी से दूर रखें। पावर टूल पर टपकते पानी से बिजली के झटके का खतरा बढ़ता है।
- ▶ केबल का गैर इस्तेमाल जैसे पावर टूल को उठाके ले जाने के लिए, टांगने के लिए या प्लग को स्विच से खिंचने के लिए नहीं करें। केबल को गर्मी, तेल, नुकीले कोनों अथवा उपकरणों के हिलते पुर्जोंसे दूर रखें। खराब या उलझे केबल इलेक्ट्रिक शोक का खतरा बढ़ाते हैं।
- ▶ जब आप पावर टूलस के साथ खुली जगहों पर काम करते समय, केवल ऐसी ही एक्सटेंशन केबल का इस्तेमाल करें, जो बाहरी कार्यों के लिए योग्य हो। एक बाहरी कार्य के लिए योग्य एक्सटेंशन केबल के इस्तेमाल से इलेक्ट्रिक शोक का खतरा कम होता है।
- ▶ जब पावर टूलस के साथ नमीयुक्त स्थानों पर काम करना अनिवार्य है, आप एक रेसीड्यूल करंट सर्किट ब्रेकर का इस्तेमाल करें। रेसीड्यूल करंट सर्किट ब्रेकर के इस्तेमाल से बिजली के झटके का खतरा कम होता है।

### कर्मचारियों की सुरक्षा

- ▶ पावर टूलस से काम करते समय, जागरूक रहें, आप क्या कर रहे हैं इसका भान रखें तथा व्यवहार ज्ञान का इस्तेमाल करें। जब आप थके हुए हो, या ड्रस, शराब या दवाइयों के असर के नीचे हो, पावर टूलस का इस्तेमाल नहीं करें। पावर टूलस के इस्तेमाल के दौरान बेखयाली का एक क्षण गंभीर चोट का कारण बन सकता है।
- ▶ हमेशा वैयक्तिक सुरक्षा उपकरण तथा सुरक्षा चश्में पहनें। हर प्रकार और उपयोग के पावर टूलस के इस्तेमाल के दौरान वैयक्तिक सुरक्षा उपकरण, जैसे डस्ट मास्क, ना-फिसलने वाले सुरक्षा जूते, सुरक्षा हेल्मेट या कानों के सुरक्षा उपकरण चोट लगने का खतरा कम करता है।
- ▶ अपघाती संचालन को टालें। पावर स्विच से या बैटरी से जोड़ने से पहले, सुनिश्चित करो की पावर टूल बंद हैं। पावर टूल के वहाँ के दौरान अगर आपकी उंगली स्विच पर हो या उपकरण अचानक शुरू हो जाने से दुर्घटना हो सकती है।
- ▶ पावर टूल चालू करने से पहले, निवेशन उपकरण अथवा स्क्रू ड्राइवर निकाल लें। उपकरण के घूमते हुए पुर्जों में किसी टूल या चाबी के पाए जाने से दुर्घटना घट सकती है।
- ▶ असामान्य अवस्था टालें। एक सुरक्षित स्तर को सुनिश्चित करें और सभी समय पर संतुलन रखें। इससे आप उपकरण को अप्रत्याशित स्थितियों में बेहतर नियंत्रित कर सकते हैं।
- ▶ उपयुक्त कपड़े पहनें। ढीले कपड़े या गहने नहीं पहनें। अपने बाल, कपड़े और दस्ताने चलती पुर्जों से दूर रखें। ढीले कपड़े, आभूषण या लंबे बाल चलते पुर्जों में फंस सकते हैं।
- ▶ जहाँ वैक्युम क्लीनर और क्लेक्शन स्थापित किए गए हों, तो ध्यान रखें, कि वह बंद हों और ठीक तरीके से इस्तेमाल किये जा रहे हों। वैक्युम क्लीनर प्रणाली के इस्तेमाल से धूल के चलते होने वाले खतरे कम हो सकते हैं।

### पावर टूलस का उपयोग एवं प्रबंधन

- ▶ उपकरण पर अतिभार ना डालें। अपने काम के लिए सर्वोत्तम योग्य पावर टूल इस्तेमाल करें। योग्य पावर टूलस के इस्तेमाल से आप अपना काम बेहतर और दिए गए सेवा कार्यक्षेत्र में सुनिश्चित कर सकते हैं।
- ▶ ऐसा कोई भी पावर टूल जिसका स्विच खराब हो, इस्तेमाल नहीं करें। एक पावर टूल, जो चालू या बंद नहीं होता है, खतरनाक हो सकता है और रिपेयर करना चाहिए।
- ▶ उपकरण के सेटिंग्स करने से पहले, एक्ससेरिज बदलने या उपकरण अलग रखने से पहले, प्लग को स्विच बोर्ड से अलग करें। यह एहतियती उपाय अनजाने में पावर टूल के चलने को रोखता है।
- ▶ अप्रयुक्त बिजली उपकरण बच्चों की पहुंच से बाहर रखें। ऐसे लोगों को यह उपकरण इस्तेमाल नहीं करने दें, जिन्हें इनका अनुभव नहीं हो या जिन्होंने निर्देश नहीं पढ़ें हो। अनुभवहीन लोगों द्वारा इस्तेमाल करने पर, पावर टूलस खरतनाक होते हैं।
- ▶ बिजली उपकरणों की देखभाल ध्यान से करें। क्या पुर्जे समस्या रहित कार्य करते हैं एवं अटकते नहीं हैं, क्या पुर्जे दूटे या खराब हो गए हैं, जिससे पावर टूलस के कार्यों में प्रभाव डालते हैं, यह जांचें। उपकरण चालू करने से पहले खराब पुर्जों को रिपेयर करवाएं। बहुतरती दुर्घटनाओं का कारण बुरी तरह देखभाल किए गए पावर टूलस होते हैं।

- ▶ कटाने के उपकरण धारदार एवं साफ़ रखें। ध्यानसे देखभाल की गए कटाने के उपकरण जिनके किनारे तेज हों कम अटकते हैं और आसानी से चलते हैं।
- ▶ पावर टूल्स, एक्सेसरीज एवं अनुकूलन टूल्स इत्यादि इन निर्देशों नुसार इस्तेमाल करें। कार्य परिस्थितियों का एवं समाधानकारक कार्यप्रणाली का ध्याना रखें। पावर टूल्स का शिफरस्त उपयोगों के आलावा अन्य उपयोग खतरनाक परिस्थितियों का कारण हो सकता है।

### सेवा

- ▶ अपने पावर टूल को केवल प्रशिक्षित तंत्रज्ञों एवं मूल-बदली पुर्जों से रिपेयर कराएं। इससे यह सुनिश्चित किया जा सकता है कि, पावर टूल की सुरक्षा रखी जाएगी।

### घर्षण उपकरणों के लिए सुरक्षा निर्देश

- ▶ अधिकतम सुरक्षा पाने के लिए सुरक्षा गार्ड के साथ पावर टूल को संलग्न और समायोजित करना चाहिए, मतलब, सबसे छोटा घर्षण क्षेत्र ऑपरटर के सामने स्पष्ट दिखाई जानी चाहिए। अपने आप को और अपने आस पास के लोगों को घूमते हुए कर्तन डिस्क के स्टार से दूर रखें। सुरक्षा गार्ड ऑपरटर को घर्षण खंड के टूटे हुए टुकड़ों और अपघाती संपर्क से सुरक्षित करता।
- ▶ अपने पावर टूल में केबल हिटा वाले कर्तन डिस्क का प्रयोग करें। सिर्फ आपके एक्सेसरी को पावर टूल से जोड़ने से, उसके सुरक्षित उपयोग की हामी नहीं होती।
- ▶ पावर टूल की अनुमत गति कम से कम उतनीही होनी चाहिए जितनी इस पावर टूल पर दी हुई उच्चतम गति है। जो एक्सेसरी अनुमत गति से जल्द घुमती हो, टूट सकती है और बहार उड़ सकती है।
- ▶ घर्षण उपकरण केवल अनुसंसित अनुप्रयोगों के लिए इस्तेमाल किए जा सकता है। उदाहार्ण: बाजू के सतह से कर्तन डिस्क का घर्षण कभी नहीं करें। सामग्री हटाने के लिए कर्तन डिस्क डिस्क के किनारे से बिटाई जाती है। बाजू से इस डिस्क पर जोर डालने से यह टूट सकती है।
- ▶ हमेशा आपके चुने हुए घर्षण डिस्क के उचित आयाम की क्षति-हीन टेंशनिंग फ्लैज का प्रयोग करें। योग्य उभरि हुए किनारे तनाव पहियों का समर्थन करते हैं और पहियों के टूटने से निर्माण होने वाले खतरे को कम करते हैं।
- ▶ पावर टूल का बाहरी व्यास और चौड़ाई आपके पावर टूल के दिए हुए अकर्मण के अनुरूपनी चाहिए। गलत आकारमान के पावर टूल्स पर्याप्त रूपसे संरक्षित एवं नियंत्रित नहीं किये जा सकते हैं।
- ▶ घर्षण डिस्क और फ्लैज आपके पावर टूल के घर्षण धुरी पर सटीक बैठना चाहिए। इन्सर्ट टूल, जो पावर टूल के घर्षण धुरी पर ठीक से सटीक नहीं बैठती, असमान घुमती है, बहुत जोर से कंपन करती है जिससे नियंत्रण खो सकता है।
- ▶ कोई क्षतिग्रस्त घर्षण डिस्क का उपयोग ना करें। प्रत्येक इस्तेमाल के पहले घर्षण डिस्क को टूटने और जंग के लिए जांचें। अगर पावर टूल या घर्षण डिस्क निचे गिर जाए, जांचें कि, वह क्षतिग्रस्त हुआ हो, या आप किसी क्षतिग्रस्त घर्षण डिस्क को प्रयोग कर नहीं है। पेशकश करते समय या इन्स्टाल करते समय, आप और अस पसके व्यक्तियों को घूमते हुए घर्षण डिस्क के सतह से दूर रखें और उपकरण को एक मिनट तक उच्च गति पर घुमाएँ। क्षतिग्रस्त घर्षण डिस्क एक मिनट के काल में टूट जाते हैं।

- ▶ व्यक्तिगत सुरक्षा उपकरण पहने। हर प्रयोग के समय अपने पुरे चेहरे पर संरक्षण, आँखों का संरक्षण या संरक्षण चश्में पहने। जितना संभव हो, धुल के मास्क, कानों का संरक्षण, संरक्षक दस्ताने या खास एप्रन पहने, जो छोटे कणों और सामग्री कणों को आप से दूर रखें। आँखों को उड़ते हुए बाहरी कणों से बचाना आवश्यक है, जो विविध प्रयोगों से निर्माण होते है। धुल एवं श्रसन मुद्रका मास्क प्रयोग के दौरान निकलती धुल को फिल्टर करने चाहिए। जब आप दीर्घकाल तक तीव्र आवाज सुनते है, आप सुनाने की क्षमता खो सकते हैं।
- ▶ अन्य लोगों को अपने कार्य क्षेत्र से सुरक्षित दुरी पर रखें। कार्य क्षेत्र में प्रवेश करने वाले हर व्यक्तो को व्यक्तिगत सुरक्षा उपकरण पहनने चाहिए। कार्यखंड के टुकडे या टूटे हुए अनुकूलन टूल्स निकाल कर उड़ सकते है, और उनसे कार्यक्षेत्र के बाहर भी चोटें लगने का कारण बन सकते हैं।
- ▶ जब आप काम कर रहे हों, उपकरण को हमेशा उसके इन्सुलेट किए हुए हैंडल से पकड़ें, जो इस निवेशन उपकरण को लगी हुई पावर केबल या उसकी केबल को जुड़ा हुआ हो। एक वोल्टेज युक्त तार के संपर्क में आने से भी उपकरण के पुर्जे वोल्टेज ले सकते हैं, और बिजली के झटके का कारण बन सकते हैं।
- ▶ केबल को घूमते हुए निवेशन उपकरण से दूर रखें। जब आप उपकरण का नियंत्रण खोते है, निवेशन उपकरण के घुमाव के कारण केवल आपके हात या बाजू पर लिपटी जा सकती है।
- ▶ जब तक निवेशन उपकरण पूरी तरह बंद नहीं हो जाती, उसे निचे ना रखें। कयोंकी घूमता हुआ निवेशन उपकरण कार्य सतह के संपर्क में आ सकता है, जिस कारण आप पावर टूल पर का आपका नियंत्रण खो सकते हैं।
- ▶ जब आप निवेशन उपकरण उठाके जा रहे हो तब उसे चालू न रखें। आपके कपडे गलती से घूमते हुए निवेशन उपकरण के संपर्क में आने पर उसमें फंस सकते हैं और निवेशन उपकरण आपके शारीर में छेद कर सकता है।
- ▶ नियमित रूप से अपने पावर टूल का वेंटिलेशन स्लॉट साफ़ करें। मोटर ब्लोवर ब्रैकेट के अंदर धुल खिंच लेता है, और एक बड़ी मात्र में धातु कणों का जमाव इलेक्ट्रिक खतरों का कारण बन सकता है।
- ▶ ज्वलनशील सामग्रियों के निकट पावर टूल्स को इस्तेमाल नहीं करें। यह सामग्रियां जिगारियों को प्रज्वलित कर सकती हैं।
- ▶ ऐसा कोई निवेशन उपकरण इस्तेमाल नहीं करें, जिसमें तरल शीतलक की आवश्यकता हो। पानी या अन्य तरल शितलकों का इस्तेमाल बिजली के झटके का कारण हो सकते हैं।

### विघ्न और सम्बंधित सुरक्षा निर्देश

- ▶ झटका, अटके हुए या अवरोधित घर्षण डिस्क की स्वाभाविक प्रतिक्रिया है। घूमते हुए इन्सर्ट टूल को हुक करने या अवरोधित करने से वह अकस्मात रुक जाता है। इससे एक अनियंत्रित पावर टूल घुमाव की दिशा के विपरीत अवरोधित स्थान पर द्रुत गति से चलता है। जब उदहारण के लिए, किसी कार्यघटक का घर्षण उपकरण अटकता है या रुक जाता है, घर्षण उपकरण का कोना, जो कार्यघटक में अटका है, निकाल सकता है और उससे घर्षण उपकरण टूट सकता है या एक विघ्न निर्माण हो सकता है। घर्षण उपकरण, अवरोधित स्थल के घूर्णन दिशा के

अनुसार ऑपरೇटर के तरफ या उसके विरुद्ध दिशामें धुमने लगता है। इसमें घर्षण उपकरण टूट भी सकता है। एक विद्युत पावर टूल के गलत या अयोग्य इस्तेमाल के कारण हो सकता है। इसे नीचे दिए गए जैसे, योग्य उपयोग उपायों से टाला जा सकता है।

- ▶ **पावर टूल को स्थिर हैंडलें एवं आपके शरीर तथा बाजू को ऐसी स्थिति में लाएं, जिस में आप एक प्रतिक्रियात्मक धक्के को रोक सकें। हमेशा उपलब्ध होने पर, अतिरिक्त हैंडल का इस्तेमाल करें, जिस से आप उच्च गतिमें प्रतिक्रियात्मक धक्के या प्रतिक्रिया के क्षणों में सर्वोच्च नियंत्रण प्राप्त कर सकें।** ऑपरैटर उपयुक्त सावधानियां बरतने से प्रतिक्रियात्मक बल एवं प्रतिक्रियात्मक धक्के पर नियंत्रण प्राप्त कर सकता है।
- ▶ **कभी भी घूर्णन उपकरण के नजदीक अपना हात नहीं ले जाएं।** निवेशन उपकरण प्रतिक्रियात्मक धक्के से आपके हात पर चल सकता है।
- ▶ **कर्तन पहिए के आगे और पीछे के क्षेत्र से बचें।** पावर टूल का प्रतिक्रियात्मक धक्का घर्षण उपकरण के अवरोधित स्थान के उलटे दिशा में टकेलता है।
- ▶ **कोनों, तेज किनारों वाले क्षेत्रों में इ. ध्यान से काम करें।** निवेशन उपकरण के उछलने और जाम होने को रोकें। घूमता हुआ निवेशन उपकरण कोनों, तेज किनारों या जब वह उचलता जाम हो जाने के लिए सज्ज होता है। इससे नियंत्रण या प्रतिक्रियात्मक धक्के का कारण बनता है।
- ▶ **10 मिमी से अधिक चौड़े कटके लिए किसी चैन या दातेदार ब्लेड और खंडित डायमंड ब्लेड का प्रयोग न करें।** ऐसे निवेशन उपकरण सामान्यतः प्रतिक्रियात्मक धक्के या नियंत्रण खोने का कारण बनते हैं।
- ▶ **कर्तन डिस्क का अवरोधन या उच्च संपर्क दबाव रोकें।** अत्यधिक गहरी कटाई नहीं करें। कर्तन उपकरण पर एक अतिभार बढ़ने के कारण उसकी संवेदनशीलता एवं मुड़ने की संभावना और उसकी के साथ प्रतिक्रियात्मक धक्के या घर्षण उपकरण के टूटने की अवरोधन होने की संभावना बढ़ जाती है।
- ▶ **कर्तन पहिया अगर जाम हो जाए या आप काम को रोक दें, उपकरण को बंद करें और उसे स्थिर होने दें, जब तक पहिये घूमना बंद नहीं हो जाता।** चलने वाले कर्तन उपकरण के पहिये को खींचने की कोशिश कभी भी नहीं करें, वरना एक प्रतिक्रियात्मक धक्का लग सकता है। जाम के कारण का पता लगाएं और निवारण करें।
- ▶ **पावर टूल को तब तक फिर से चालू नहीं करें, जब तक वह कार्य घटक में फंसा हो।** कर्तन उपकरण के पहिये को पहली बार तब तक चलने दें जब तक वह पूरी गति पटापट नहीं करता, उसके बाद आप ध्यान से काटना शुरू करें। अन्यथा पहिया अटक सकता है और कार्य घटक से बाहर उछल सकता है या एक प्रतिक्रियात्मक धक्का निर्माण हो सकता है।
- ▶ **प्लेटों या बड़े कार्यघटकों को समर्थित करें, जिससे जाम हुए घर्षण पहिये के प्रतिक्रियात्मक धक्के का खतरा टलें।** बड़े कार्य घटक आपके वजन के निचे मुड़ सकते हैं। कार्य घटक को डिस्क के दोनों तरफ से समर्थन मिलना चाहिए, एवं कर्तन उपकरण के नजदीक और उसके किनारों पर भी।
- ▶ **जेब के करतनो को ध्यान से काटें विशेषतः मौजूदा दीवारों या अन्य छिपे क्षेत्रों में।** गैस या पानी की लाइन में, बिजली की तारों या अन्य वस्तुओं में दुबे हुए कर्तन उपकरण एक प्रतिकारात्मक धक्के के कारण बन सकते हैं।

## अतिरिक्त सुरक्षा निर्देश



सुरक्षा चश्मे पहनें



धूल से बचने के लिए मास्क लगाएं।

- ▶ **वर्क पिस को किसी क्लैप या अन्य किसी तरीके से एक स्थिर सतह पर कसें और सुरक्षित करें।** अगर वर्क पिस कोसीर हाथ या अपने शरीर से पकड़ें, यह अस्थिर रहता है, जिससे नियंत्रण खो जाता है।
- ▶ **कान संरक्षण, सुरक्षा चश्मे, धूल मास्क और दस्ताने पहनें।** धूल मास्क के लिए कम से कम FFP 2 श्रेणी का एक पार्टिकल फिल्टर युक्त आधा मास्क प्रयोग करें।
- ▶ **छुपे हुए उपयोगिता लाइनों खोजने या स्थानीय उपयोगिता कंपनी कोकॉल करने के लिए उपयुक्त डिटेक्टरों का उपयोग करें।** बिजली लाइनों के साथ संपर्क में आने से आग या बिजली के झटके के कारण हो सकते हैं। गैस लाइन के क्षतिग्रस्त होने से स्फोट का खतरा हो सकता है। पानी के लाइन में धुसने पर वस्तुओं का नाश या बिजली के झटके लग सकते हैं।
- ▶ **काम खतम होने पर कर्तन डिस्क को, ठंडा होने से पहले नहीं पकड़ें।** काम के दौरान कर्तन डिस्क बहुत गरम होता है।
- ▶ **काम के दौरान पावर टूल को दोनों हाथों से पकड़े और एक मजबूत स्थिर आधार दें।** पावर टूल को दोनों हाथों से सुरक्षित चलाया जाता है।

## उत्पादन एवं सेवा विवरण



सभी सुरक्षा निर्देश तथा सूचनाओं को पढ़ें। सुरक्षा चेतावनियों और सभी निर्देशों के अनुपालन में वफिलताओं के कारण हो सकते हैं वजिली के झटके, आग और गंभीर चोट।

### लक्षित उद्देश्य के लिए उपयोग

पावर टूल, बेस प्लेट के एक स्थिर सपोर्ट के साथ, और सुरक्षात्मक गार्ड के साथ क्षितिज रूप से इस्तेमाल करते हुए, मुख्य रूप से खनिज सामग्री जैसे उदाहरण के लिए संगमरमर, को बिना पानी के प्रयोग कटाने या घिसने, के लिए लक्षित है। पावर टूल लकड़ी, प्लास्टिक या धातु के कटाई के लिए लक्षित नहीं है।

### मैप किए गए घटक

उत्पाद सुविधाओं का क्रमांकन ग्राफिक्स पृष्ठ पर मशीन के चित्रण को संदर्भित करता है।

- 1 चालू/बंद स्विच
- 2 चालू/बंद स्विच कके लिए लॉकिंग कुंजी
- 3 हस्त हैंडल (इन्सुलेट की गई हैंडल सतह)
- 4 कट की गहरे मापक
- 5 कट गहराई क्लैप की स्थापना के लिए थंब पेंच
- 6 हीरे का कर्तन डिस्क\*

- 7 चर्पण धुरी का घुमाव दिशा तीर
- 8 सुरक्षा गार्ड
- 9 बेस प्लेट
- 10 ड्राइव धुरी
- 11 अटैचमेंट फ्लैज

- 12 टेंशनिंग फ्लैज
- 13 रिंग कुंजी
- 14 टेंशनिंग पेंच
- 15 एलन की

\*सचित्र वर्णनत या सहायक उपकरण वितरण का मानक क्षेत्र का हिस्सा नहीं है। आपको हमारे सर्व उपकरणों के स्पेजर पार्ट्स हमारे पुरे प्रोग्राम में प्राप्त होंगे।

## तकनीकी डेटा

पत्थर का साँ		GDC 120	GDC 121
वास्तु क्रमांक		3 601 C93 0..	3 601 C93 1..
रेटेड इनपुट पावर	W	1200	1250
रेटेड गति	min <sup>-1</sup>	12000	12000
डायमंड कर्तन डिस्क का अधिकतम व्यास	mm	110/115	125
कर्तन डिस्क के नियुतम मोटाई	mm	1.6	1.6
कर्तन डिस्क के अधिकतम मोटाई	mm	2.2	2.2
अटैचमेंट छिद्र	mm	20	20
अधिकतम कट गहराई	mm	34/36	40
EPTA-Procedure 01:2014 के अनुरूप वजन	kg	2.8	3.0
सुरक्षा श्रेणी		□/	□/

आंकड़े [U] के 230 V एक रेटेड वोल्टेज के लिए हैं। विभिन्न वोल्टेज में और देश-विशिष्ट डिजाईनों में यह प्रमाण अलग हो सकते हैं।

## मॉटा

- ▶ सभी कार्यों से पहले पवार टूल में लगे केबल द्वारा प्लग निकालें।

## धूल निष्कर्षण

- ▶ सामग्री की धूल जैसे युक्त लीड पेंट, कुछ लकड़ी की प्रजातियों, खनिज एवं धातु हानिकारक हो सकते हैं। धूल से युक्त पेंट लीड के रूप में सामग्री, कुछ लकड़ी प्रजातियों, खनिज और धातु हानिकारक होती हैं। हो सकता है इनके के साथ संपर्क या साँस लेने से उपयोगकर्ता या आसपास के व्यक्तियों को धूल की एलर्जी और साँस की बीमारियों का कारण हो सकता है।
- विशिष्ट धूल जैसे ओक या बीच की धूल के रूप में विशेष रूप से लकड़ी उपचार के लिए योजकों का संयोजन किए हुए कार्सिनोजन (क्रोमेट , परिरक्षक लकड़ी) , वर्गीकृत किए गये हैं। एस्बेस्टस युक्त सामग्री पर केवल विशेषज्ञों द्वारा काम किया जा सकता है।
  - कार्यस्थल के लिए अच्छा वेंटीलेशन प्रदान करें।
  - यह फ्रिल्टर वर्ग P2 के साथ एक सुरक्षात्मक मास्क पहनने के लिए सफ़ाई की गई है।
- अपने देश में सामग्री संसाधन करने के लिए लागू नियमों पर गौर करें।
- ▶ कार्यस्थल में धूल संचय से बचें। धूल आसानी से प्रज्वलित हो सकती है।

## डायमंड कर्तन डिस्क लगाएं/बदलें (देखें चित्र A)

- ▶ डायमंड कर्तन डिस्क को लगाने और बदलने समय सुरक्षात्मक दस्ताने पहनने की शिफारिस के जाती है।
- ▶ डायमंड कर्तन डिस्क काम के दौरान बहित गरम हो जाता है, इसे ठंडा होने से पहले, नहीं पकड़ें।
- ▶ हमेशा तकनीकी निर्देशों में बताए अनुसार उचित आयाम और सुयोग्य अटैचमेंट छिद्र के डायमंड कर्तन डिस्क का प्रयोग करें।
- ▶ केवल डायमंड कर्तन डिस्क का ही प्रयोग करें। खंडीय डायमंड कर्तन डिस्क का प्रयोग केवल नकारात्मक कट कोन और खंडो के बीच अधिकतम 10 मिमी के कट के लिए करें।

## डायमंड कर्तन डिस्क को लगाएं।

- डायमंड कर्तन डिसिक 6 और सभी इंस्टाल करने के टेंशनगि भागों को साफ़ करें।
- अटैचमेंट फ्लैज को 11 ड्राइव धुरी 10 पर लगाएं।
- डायमंड कर्तन डिसिक को 6 अटैचमेंट फ्लैज पर 11 लगाएं। डायमंड कर्तन डिसिक की तीर दशा 6 और सुरक्षा गरद पर का घुमाव दशा तीर 8 मलिनता चाहिए।
- टेंशनगि फ्लैज 12 लगाएं और टेंशनगि पेंच 14 कसें।
- रंगि कुंजी से 13 टेंशनगि फ्लैज 12 को पकड़ें और एलन की से 15 टेंशनगि पेंचों 14 को कसें।

## डायमंड-कर्तन डिस्क निकालें

- रंगि कुंजी 13 से टेंशनगि फ्लैज 12 को पकड़ें और एलन की 15 से टेंशनगि पेंचों 14 को कसें।
- एक टेंशनगि फ्लैज 12 और डायमंड कर्तन डिसिक 6 को ड्रविन धुरी 10 से निकालें।

## संचालन

### संचालन प्रकार

- ▶ सभी कार्यों से पहले पवार टूल में लगे केबल द्वारा प्लग निकले।

### कट की गहराई को चुने (देखें चित्र B)

- ▶ कट की गहराई का चयन केवल पावर टूल बंद होने की स्थिति में किया जाता है।

कट की गहराई को वर्कपिस की मोटाई से समायोजित करें। सर्वोत्तम परिणामों के लिए, डायमंड ब्लेड सामग्री से लगभग 2 मिमी फैलाना चाहिए।

- थंब पेंच को ढीला करें 5। छोटी गहराई के कट के लिए पावर टूल को बेस प्लेट से दूर खींचें 9 बड़ी गहराई के कट के लिए पावर टूल को बेस प्लेट पर धकेलें 9। इच्छित आयाम को कट की गहराई मापक पर 4 प्रवर्षित करें। थंबपेंच 5 को फरि से कसें।

### कार्यान्वित करना

- ▶ पावर वोल्टेज पर ध्यान दें। पावर का स्रोत का वोल्टेज दर्ज़ा प्लेट पर विनिर्देशों के बजली के उपकरण से मेल खाना चाहिए। 230 V के साथ चिह्नित बिजली उपकरण भी 220 V से कनेक्ट कर सकते हैं। 230 V के साथ चिह्नित बिजली उपकरण भी 220 V से कनेक्ट कर सकते हैं।

### चालू करना/बंद करना

ऊर्जा बचाने के लिए, पावर टूल को केवल इस्तेमाल करते समय चालू करें।

- पवार टूल को कार्य में लेन के लिए चालू/बंद स्वचि को दबाएं 1 और दबाएं रखें।
- दबे हुए चालू/बंद स्वचि 1 को अटकाने के लिए लॉक बटन दबाएं 2।
- पावर टूल को बंद करने के लिए, चालू/बंद स्वचि को 1 छोड़े या अगरव: एक लॉक बटन से 2 लॉक किया गया हो, चालू/बंद स्वचि को 1 थोड़ासा दबाएं और फरि छोड़ें।
- ▶ डायमंड कर्तन डिस्क को उपयोग में लाने से पहले जांचें। डायमंड कर्तन डिस्क को सहजतासे माउंट होना चाहिए और स्वयं घुमनी चाहिए। कम से कम 1 मिनट के लिए एक परीक्षण रन लोड के बिना निष्पादित करें। किसी भी क्षतिग्रस्त, अगोल या कांपने वाले डायमंड कर्तन डिस्क का उपयोग नहीं करें। क्षतिग्रस्त डायमंड कर्तन डिस्क टूट सकते हैं और चोट का कारण बन सकते हैं।

### कार्य निर्देश

- ▶ लोड बेरिंग दीवारों के लिए सावधानियां देखें पाठ "स्टैटिक के लिए निर्देश"।
- ▶ पावर टूल को इतन भर ना दें, जिससे वह एकदम ही रुक जाएं।
- ▶ अतिभार के बाद पावर टूल को कुछ मिनटों के लिए खली चलने दें, और निवेशन उपकरण को ठंडा होने दें।
- ▶ अगर आप कठिन साहित्यों से काम कर रहे हों, जिस के कट का आयाम 20 मिमी से अधिक हो, उदहारण के लिए, बीटोन, अधिकांश क्षार्य पदार्थों में, इंजन पर ज्यादा भारना डालें।

- ▶ कार्य घटक को कसें, जब तक वह अपने खुद के वजन को उठता है।
- ▶ पावर टूल को केवल सुखी कटाई करने के लिए प्रयोग करें।
- ▶ डायमंड कर्तन डिस्क काम के दौरान बहित गरम हो जाता है, इसे ठंडा होने से पहले, नहीं पकड़ें।

कर्तन डिस्क को आघात, टकराव और ग्रीस से बचाएं। कर्तन डिस्क पर वाजु से दबाव नहीं डालें।

चलते हुए डायमंड-कर्तन डिस्क को एक तरफ से दबाव देकर ना रोकें।

अति कठिन सामग्री को कटाने के समय, उदाहार्थ बजरी सामग्री हिरा युक्ता कर्तन डिस्क ज्यादा गरम हो जाती है और उससे क्षतिग्रस्त हो जाती है। एक हीरे के कर्तन डिस्क से निश्चित धूल कण उसके अंतर चल जाते हैं।

ऐसी स्थिति में कटाई रोकें एवं हिरा युक्त कटाई डिस्क को कुछ पलों के लिए खली चलने दें जिससे वह ठंडा हो जाए।

काफ़ी काम बढ़ चूका है और एक परिधीय रिम धूल को कम करने के लिए एक सुस्त हीरा पहिया के संकेत मिल रहे हैं। अपघर्षक सामग्री आप छोटे कटे स्लॉट्स में जैसे चुना वाले पत्थर से फिरसे तेज कर सकते हैं।

### कट की दिशा (देखें चित्र C)

पावर टूल को एक सामान दबाव के साथ चलन चाहिए। अन्यथा यह खतरा होता है कि वह ,स्लॉट में से अनियंत्रित दबने का खतरा है।

### स्टैटिक्स के लिए निर्देश

लोड बेरिंग दीवारों की आवश्यकताएं DIN 1053 भाग 1 अथवा देश अनुसार मानकों के अधीन है।

यह नियमोंका पालन अनिवार्य है। काम शुरू करने से पहले जिम्मेदार स्टैटिक शिल्पकार या प्रासंगिक घटक सलाहकार से सलाह लें।

## देखभाल एवं सर्विस

### देखभाल एवं सफाई

- ▶ सभी कार्यों से पहले पवार टूल में लगे केबल द्वारा प्लग निकले।

- ▶ अच्छी तरह काम करने के लिए और सुरक्षा के लिए, पावर टूल एवं बैटिलेशन स्लॉट्स को साफ़ रखें।

जब स्पेअर पुर्जों की कनेक्शन लाइन आवश्यक हो तो, इसे Bosch या Bosch पावर टूल के अधिकृत ग्राहक सेवा कर्मचारी द्वारा करना चाहिए, ताकि सुरक्षा खतरों को टला जा सकें।

### ग्राहक सेवा एवं उपयोग सलाह

ग्राहक सेवा आपके उनके उत्पादनों तथा देखभाल के विषय में आपके सवालों का जवाब देगी। स्फोटक चिन्ह तथा स्पेअर पार्ट्स के बारे में अधिक जानकारी आपको मिल सकती है

[www.bosch-pt.com](http://www.bosch-pt.com)

Bosch के उपकरण सलाहकार संघ हमारे उपकरणों तथा उनके एक्सेसरीज के विषय में आपकी समस्याओं का समाधान करने में सहयोग कर सकते हैं।

अपने पत्राचार तथा स्पेअर पुर्जों के ऑर्डर पर उत्पाद नेमप्लेट पर दर्ज 10 अंको वाला उत्पाद क्रमांक अवश्य प्रदान करें।

**भारत**

Bosch सर्विस सेंटर  
67, मैथिरावेडू, वेलाप्पन चावडी, पोनामाले हाय रोड, तुम्बल  
विलेज

चेन्नई-600077

फोन: (044) 64561816

Bosch सर्विस सेंटर  
रिश्यमुक, 85A, पंचक्रिन रोड  
दिल्ली-110001

फोन: (011) 43166190

Bosch सर्विस सेंटर  
41, 41A, अप्पा बाग बिल्डिंग, महर्षि कर्वे मार्ग, चरनी रोड  
स्टेशन के सामने  
मुंबई-400002

फोन: (022) 22014649

**निपटान**

पावर टूल्स, एक्सेसरीज और पैकेजिंग का निपटान पर्यावरण के  
अनुकूल होना चाहिए।



घर के कचरे में बिजली उपकरणों के निपटान  
नहीं करें!

परिवर्तन के अधीन।