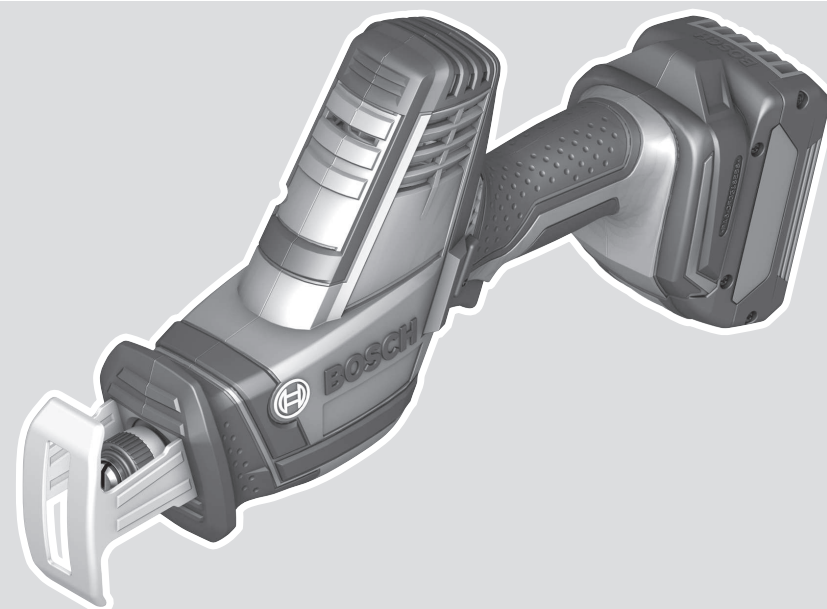




 **BOSCH**

GSA 18V-LI C



Robert Bosch Power Tools GmbH
70538 Stuttgart
GERMANY

www.bosch-pt.com

1 609 92A 8E1 (2022.11) DOC / 45

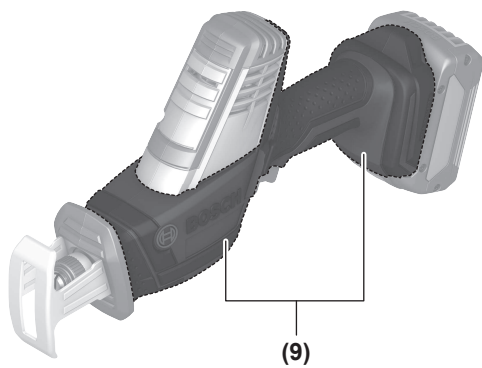
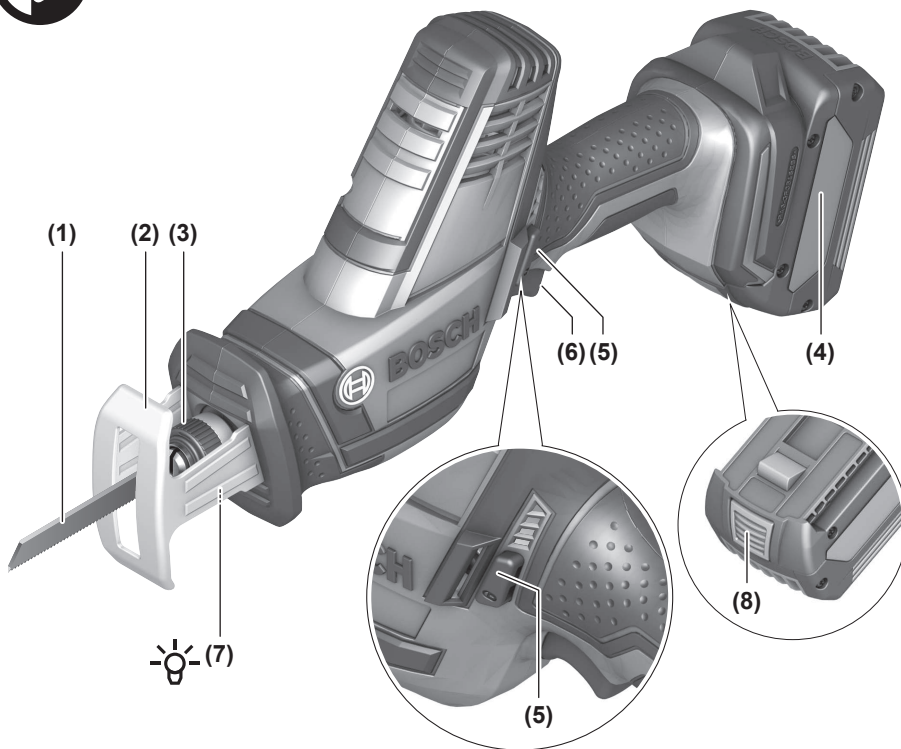


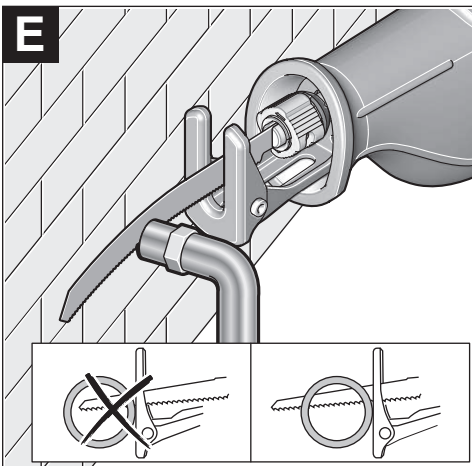
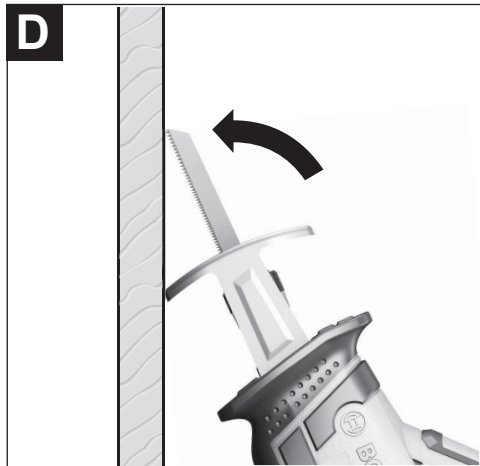
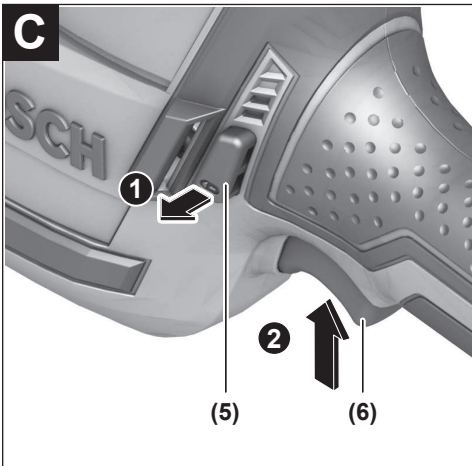
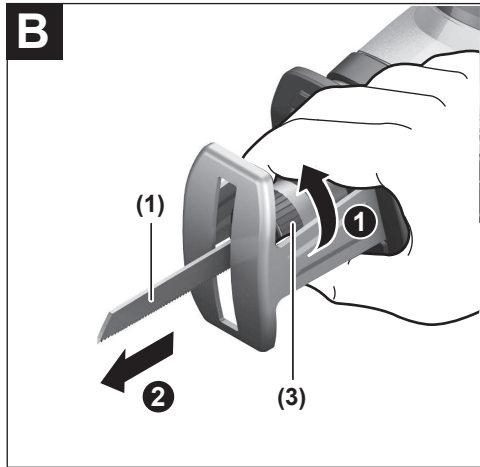
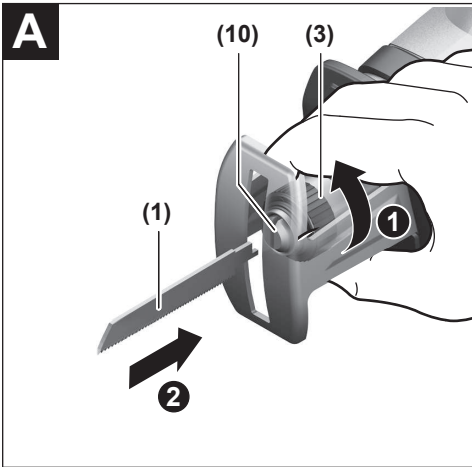
1 609 92A 8E1

- en Original instructions
- zh 正本使用说明书
- zh 原始使用說明書
- ko 사용 설명서 원본
- th หนังสือคู่มือการใช้งานฉบับต้นแบบ
- id Petunjuk-Petunjuk untuk Penggunaan Orisinal
- vi Bản gốc hướng dẫn sử dụng



English	Page	5
中文	页	10
繁體中文	頁	15
한국어	페이지	19
ไทย	หน้า	25
Bahasa Indonesia	Halaman	31
Tiếng Việt	Trang	37





English

Safety Instructions

General Power Tool Safety Warnings

⚠ WARNING Read all safety warnings, instructions, illustrations and specifications provided with this power tool. Failure to follow all instructions listed below may result in electric shock, fire and/or serious injury.

Save all warnings and instructions for future reference.

The term "power tool" in the warnings refers to your mains-operated (corded) power tool or battery-operated (cordless) power tool.

Work area safety

- ▶ **Keep work area clean and well lit.** Cluttered or dark areas invite accidents.
- ▶ **Do not operate power tools in explosive atmospheres, such as in the presence of flammable liquids, gases or dust.** Power tools create sparks which may ignite the dust or fumes.
- ▶ **Keep children and bystanders away while operating a power tool.** Distractions can cause you to lose control.

Electrical safety

- ▶ **Power tool plugs must match the outlet. Never modify the plug in any way. Do not use any adapter plugs with earthed (grounded) power tools.** Unmodified plugs and matching outlets will reduce risk of electric shock.
- ▶ **Avoid body contact with earthed or grounded surfaces, such as pipes, radiators, ranges and refrigerators.** There is an increased risk of electric shock if your body is earthed or grounded.
- ▶ **Do not expose power tools to rain or wet conditions.** Water entering a power tool will increase the risk of electric shock.
- ▶ **Do not abuse the cord. Never use the cord for carrying, pulling or unplugging the power tool. Keep cord away from heat, oil, sharp edges or moving parts.** Damaged or entangled cords increase the risk of electric shock.
- ▶ **When operating a power tool outdoors, use an extension cord suitable for outdoor use.** Use of a cord suitable for outdoor use reduces the risk of electric shock.
- ▶ **If operating a power tool in a damp location is unavoidable, use a residual current device (RCD) protected supply.** Use of an RCD reduces the risk of electric shock.

Personal safety

- ▶ **Stay alert, watch what you are doing and use common sense when operating a power tool. Do not use a power tool while you are tired or under the influence of drugs, alcohol or medication.** A moment of inatten-

tion while operating power tools may result in serious personal injury.

- ▶ **Use personal protective equipment. Always wear eye protection.** Protective equipment such as a dust mask, non-skid safety shoes, hard hat or hearing protection used for appropriate conditions will reduce personal injuries.
- ▶ **Prevent unintentional starting. Ensure the switch is in the off-position before connecting to power source and/or battery pack, picking up or carrying the tool.** Carrying power tools with your finger on the switch or energising power tools that have the switch on invites accidents.
- ▶ **Remove any adjusting key or wrench before turning the power tool on.** A wrench or a key left attached to a rotating part of the power tool may result in personal injury.
- ▶ **Do not overreach. Keep proper footing and balance at all times.** This enables better control of the power tool in unexpected situations.
- ▶ **Dress properly. Do not wear loose clothing or jewellery. Keep your hair and clothing away from moving parts.** Loose clothes, jewellery or long hair can be caught in moving parts.
- ▶ **If devices are provided for the connection of dust extraction and collection facilities, ensure these are connected and properly used.** Use of dust collection can reduce dust-related hazards.
- ▶ **Do not let familiarity gained from frequent use of tools allow you to become complacent and ignore tool safety principles.** A careless action can cause severe injury within a fraction of a second.

Power tool use and care

- ▶ **Do not force the power tool. Use the correct power tool for your application.** The correct power tool will do the job better and safer at the rate for which it was designed.
- ▶ **Do not use the power tool if the switch does not turn it on and off.** Any power tool that cannot be controlled with the switch is dangerous and must be repaired.
- ▶ **Disconnect the plug from the power source and/or remove the battery pack, if detachable, from the power tool before making any adjustments, changing accessories, or storing power tools.** Such preventive safety measures reduce the risk of starting the power tool accidentally.
- ▶ **Store idle power tools out of the reach of children and do not allow persons unfamiliar with the power tool or these instructions to operate the power tool.** Power tools are dangerous in the hands of untrained users.
- ▶ **Maintain power tools and accessories. Check for misalignment or binding of moving parts, breakage of parts and any other condition that may affect the power tool's operation. If damaged, have the power tool repaired before use.** Many accidents are caused by poorly maintained power tools.

- ▶ **Keep cutting tools sharp and clean.** Properly maintained cutting tools with sharp cutting edges are less likely to bind and are easier to control.
- ▶ **Use the power tool, accessories and tool bits etc. in accordance with these instructions, taking into account the working conditions and the work to be performed.** Use of the power tool for operations different from those intended could result in a hazardous situation.
- ▶ **Keep handles and grasping surfaces dry, clean and free from oil and grease.** Slippery handles and grasping surfaces do not allow for safe handling and control of the tool in unexpected situations.

Battery tool use and care

- ▶ **Recharge only with the charger specified by the manufacturer.** A charger that is suitable for one type of battery pack may create a risk of fire when used with another battery pack.
- ▶ **Use power tools only with specifically designated battery packs.** Use of any other battery packs may create a risk of injury and fire.
- ▶ **When battery pack is not in use, keep it away from other metal objects, like paper clips, coins, keys, nails, screws or other small metal objects, that can make a connection from one terminal to another.** Shorting the battery terminals together may cause burns or a fire.
- ▶ **Under abusive conditions, liquid may be ejected from the battery; avoid contact. If contact accidentally occurs, flush with water. If liquid contacts eyes, additionally seek medical help.** Liquid ejected from the battery may cause irritation or burns.
- ▶ **Do not use a battery pack or tool that is damaged or modified.** Damaged or modified batteries may exhibit unpredictable behaviour resulting in fire, explosion or risk of injury.
- ▶ **Do not expose a battery pack or tool to fire or excessive temperature.** Exposure to fire or temperature above 130°C may cause explosion.
- ▶ **Follow all charging instructions and do not charge the battery pack or tool outside the temperature range specified in the instructions.** Charging improperly or at temperatures outside the specified range may damage the battery and increase the risk of fire.

Service

- ▶ **Have your power tool serviced by a qualified repair person using only identical replacement parts.** This will ensure that the safety of the power tool is maintained.
- ▶ **Never service damaged battery packs.** Service of battery packs should only be performed by the manufacturer or authorized service providers.

Safety instructions for reciprocating saws

- ▶ **Hold the power tool by insulated gripping surfaces, when performing an operation where the cutting accessory may contact hidden wiring.** Cutting accessory

contacting a "live" wire may make exposed metal parts of the power tool "live" and could give the operator an electric shock.

- ▶ **Use clamps or another practical way to secure and support the workpiece to a stable platform.** Holding the workpiece by hand or against your body leaves it unstable and may lead to loss of control.
- ▶ **Keep hands away from the sawing area. Do not reach under the workpiece.** Contact with the saw blade can lead to injuries.
- ▶ **Hold the power tool firmly with both hands and make sure you have a stable footing.** The power tool can be more securely guided with both hands.
- ▶ **Only bring the power tool into contact with the workpiece when switched on.** Otherwise there is danger of kickback if the cutting tool jams in the workpiece.
- ▶ **Ensure that the footplate is always resting on the workpiece while sawing.** The saw blade can jam and lead to loss of control over the power tool.
- ▶ **When the cut is completed, switch off the power tool and then pull the saw blade out of the cut only after it has come to a standstill.** In this manner you can avoid kickback and can place down the power tool securely.
- ▶ **Always wait until the power tool has come to a complete stop before placing it down.** The application tool can jam and cause you to lose control of the power tool.
- ▶ **Use only undamaged saw blades that are in perfect condition.** Bent or dull saw blades can break, negatively influence the cut, or lead to kickback.
- ▶ **Do not brake the saw blade to a stop by applying side pressure after switching off.** The saw blade can be damaged, break or cause kickback.
- ▶ **Ensure that the material is securely clamped. Do not support the workpiece using your hands or feet. Do not touch any objects or the floor with the saw while it is running.** There is a risk of kickback.
- ▶ **Use suitable detectors to determine if there are hidden supply lines or contact the local utility company for assistance.** Contact with electric cables can cause fire and electric shock. Damaging gas lines can lead to explosion. Breaking water pipes causes property damage.
- ▶ **In case of damage and improper use of the battery, vapours may be emitted. The battery can set alight or explode.** Ensure the area is well ventilated and seek medical attention should you experience any adverse effects. The vapours may irritate the respiratory system.
- ▶ **Do not open the battery.** There is a risk of short-circuiting.
- ▶ **The battery can be damaged by pointed objects such as nails or screwdrivers or by force applied externally.** An internal short circuit may occur, causing the battery to burn, smoke, explode or overheat.
- ▶ **Only use the battery with products from the manufacturer.** This is the only way in which you can protect the battery against dangerous overload.



Protect the battery against heat, e.g. against continuous intense sunlight, fire, dirt, water and moisture. There is a risk of explosion and short-circuiting.



Product Description and Specifications



Read all the safety and general instructions.

Failure to observe the safety and general instructions may result in electric shock, fire and/or serious injury.

Please observe the illustrations at the beginning of this operating manual.

Intended Use

The power tool is suitable for sawing wood, plastic, metal and building materials on a firm surface. It is suitable for straight and curved cuts. When using designated suitable bi-metal saw blades, flush cutting is also possible. The saw blade recommendations are to be observed.

Product features

The numbering of the product features refers to the diagram of the power tool on the graphics page.

- (1) Saw blade^{a)}
- (2) Base plate
- (3) Locking sleeve for saw blade
- (4) Battery^{a)}
- (5) Lock-off button for on/off switch
- (6) On/off switch
- (7) Worklight
- (8) Battery release button^{a)}
- (9) Handle (insulated gripping surface)
- (10) Saw blade receptacle

a) **Accessories shown or described are not included with the product as standard. You can find the complete selection of accessories in our accessories range.**

Technical data

Reciprocating saw	GSA 18 V-LI C	
Article number		3 601 FA5 0..
Rated voltage	V=	18
No-load stroke rate n_0 ^{A)}	min ⁻¹	0–3050
Tool holder		SDS
Stroke	mm	21
Max. cutting depth		
– in wood	mm	200
– in steel (unalloyed)	mm	16
– pipe diameter	mm	100

Reciprocating saw	GSA 18 V-LI C	
Weight according to EPTA-Procedure 01:2014	kg	2.3–3.3 ^{B)}
Recommended ambient temperature during charging	°C	0 to +35
Permitted ambient temperature during operation ^{C)} and during storage	°C	–20 to +50
Recommended rechargeable batteries		GBA 18V... ProCORE18V...
Recommended chargers		GAL 18... GAX 18... GAL 36...

A) Measured at 20–25 °C with rechargeable battery
GBA 18V 4.0Ah.

B) Depends on battery in use

C) Limited performance at temperatures < 0 °C

Rechargeable battery

Charging the battery

► **Use only the chargers listed in the technical data.** Only these chargers are matched to the lithium-ion battery of your power tool.

Note: Lithium-ion rechargeable batteries are supplied partially charged according to international transport regulations. To ensure full rechargeable battery capacity, fully charge the rechargeable battery before using your tool for the first time.

Inserting the Battery

Push the charged battery into the battery holder until it clicks into place.



Removing the Battery

To remove the rechargeable battery, press the battery release button and pull the battery out. **Do not use force to do this.**

The rechargeable battery has two locking levels to prevent the battery from falling out if the battery release button is pressed unintentionally. The rechargeable battery is held in place by a spring when fitted in the power tool.

Battery charge indicator

The green LEDs on the battery charge indicator indicate the state of charge of the battery. For safety reasons, it is only possible to check the state of charge when the power tool is not in operation.

Press the button for the battery charge indicator  or  to show the state of charge. This is also possible when the battery is removed.

If no LED lights up after pressing the button for the battery charge indicator, then the battery is defective and must be replaced.

Battery model GBA 18V...

LED	Capacity
3 × continuous green light	60–100 %
2 × continuous green light	30–60 %
1 × continuous green light	5–30 %
1 × flashing green light	0–5 %

Battery model ProCORE18V...

LED	Capacity
5 × continuous green light	80–100 %
4 × continuous green light	60–80 %
3 × continuous green light	40–60 %
2 × continuous green light	20–40 %
1 × continuous green light	5–20 %
1 × flashing green light	0–5 %

Recommendations for Optimal Handling of the Battery

Protect the battery against moisture and water.

Only store the battery within a temperature range of –20 to 50 °C. Do not leave the battery in your car in the summer, for example.

Occasionally clean the ventilation slots on the battery using a soft brush that is clean and dry.

A significantly reduced operating time after charging indicates that the battery has deteriorated and must be replaced. Follow the instructions on correct disposal.

Assembly

- ▶ **Remove the battery from the power tool before carrying out work on the power tool (e.g. maintenance, changing tool, etc.). The battery should also be removed for transport and storage.** There is risk of injury from unintentionally pressing the on/off switch.

Inserting/changing the saw blade

- ▶ **When fitting or changing the saw blade, wear protective gloves.** Blades are sharp and can become hot when used for prolonged periods of time.
- ▶ **While replacing the saw blade, ensure that the saw blade receptacle is free of material residue, e.g. wood or metal chips.**

Selecting the saw blade

You will find an overview of recommended saw blades at the end of these operating instructions. Only use saw blades

with a 1/2" universal shank. The saw blade should not be longer than required for the intended cut.

Inserting the saw blade (see figure A)

Turn the locking sleeve **(3)** approx. 90° in the direction of the arrow and hold it firmly. Push the saw blade **(1)** into the saw blade receptacle **(10)**. Release the locking sleeve again.

- ▶ **Check that it is seated securely by pulling the saw blade.** A loose saw blade can fall out and lead to injuries.

For particular jobs, the saw blade **(1)** can also be flipped 180° (teeth point upwards) and refitted.

Removing the Saw Blade (see figure B)

- ▶ **Let the saw blade cool down before removing it.** There is a risk of injury when touching the hot saw blade.

Turn the locking sleeve **(3)** approx. 90° in the direction of the arrow and hold it firmly. Remove the saw blade **(1)**.

Dust/Chip Extraction

Dust from materials such as lead-containing coatings, some wood types, minerals and metal can be harmful to one's health. Touching or breathing-in the dust can cause allergic reactions and/or lead to respiratory infections of the user or bystanders.

Certain dust, such as oak or beech dust, is considered carcinogenic, especially in connection with wood-treatment additives (chromate, wood preservative). Materials containing asbestos may only be worked by specialists.

- Provide for good ventilation of the working place.
 - It is recommended to wear a P2 filter-class respirator.
- Observe the relevant regulations in your country for the materials to be worked.

- ▶ **Avoid dust accumulation at the workplace.** Dust can easily ignite.

Operation**Starting Operation****Switching On and Off (see figure C)**

To **switch on** the power tool, press the lock-off switch to the left **(5)** first. Then press the on/off switch **(6)** and keep it pressed.

The worklight lights up when the on/off switch **(6)** is lightly or fully pressed allowing the work area to be illuminated in poor lighting conditions.

To **switch off** the power tool, release the on/off switch **(6)**. Then press the lock-off button **(5)** to the right again.

Controlling the stroke rate

You can variably adjust the stroke rate of the power tool when it is on by pressing in the on/off switch **(6)** to varying extents.

Applying light pressure to the on/off switch **(6)** results in a low stroke rate. Applying increasing pressure to the switch increases the stroke rate.

The required stroke rate is dependent on the material and the work conditions and can be determined using practical tests.

It is recommended that you reduce the stroke rate when placing the saw blade on the workpiece and when sawing plastic and aluminium.

During prolonged periods of use at a low stroke rate, the power tool may heat up significantly. Remove the saw blade and let the power tool run at the maximum stroke rate for around three minutes to cool down.

Working Advice

- ▶ **Remove the battery from the power tool before carrying out work on the power tool (e.g. maintenance, changing tool, etc.). The battery should also be removed for transport and storage.** There is risk of injury from unintentionally pressing the on/off switch.
- ▶ **Switch the power tool off immediately if the saw blade becomes blocked.**

Tips

- ▶ **When sawing lightweight materials, take into account the statutory provisions and recommendations of the material manufacturers.**

Before sawing into wood, chipboard, building materials, etc., check for any foreign objects such as nails, screws, etc. and use a suitable saw blade.

Switch on the power tool and guide it towards the workpiece you wish to work on. Place the base plate **(2)** on the surface of the workpiece and saw through the material applying even pressure and feed. Switch the power tool off once you have finished your work.

Switch the power tool off immediately if the saw blade jams. Widen the sawing gap slightly with a suitable tool and pull the power tool out.

Plunge cutting (see figure D)

- ▶ **Plunge cuts may only be applied to soft materials, such as wood, gypsum board, etc. Do not plunge cut metal materials.**

For plunge cutting, use only short saw blades.

Place the power tool so that the edge of the base plate **(2)** rests on the workpiece, without the saw blade **(1)** touching the workpiece, and switch it on. When using power tools with stroke rate control, select the maximum stroke rate. Press the power tool firmly against the workpiece and allow the saw blade to plunge slowly into the workpiece.

As soon as the base plate **(2)** rests fully on the workpiece, continue sawing along the required cutting line.

For particular jobs, the saw blade **(1)** can also be fitted after being turned 180° in order to operate the power tool the other way around.

Flush sawing (see figure E)

Protruding components such as water pipes, for example, can be cut directly at the wall using elastic bi-metal saw blades.

- ▶ **Ensure that the saw blade is always longer than the diameter of the workpiece. There is a risk of kickback.**

Place the saw blade directly against the wall and bend it slightly by applying lateral pressure to the power tool until the base plate is flush with the wall. Switch on the power tool and saw through the workpiece applying consistent lateral pressure.

Coolant/lubricant

As the material heats up along the cutting line when cutting metal, you should apply coolant or lubricant.

Maintenance and Service

Maintenance and Cleaning

- ▶ **Remove the battery from the power tool before carrying out work on the power tool (e.g. maintenance, changing tool, etc.). The battery should also be removed for transport and storage.** There is risk of injury from unintentionally pressing the on/off switch.
- ▶ **To ensure safe and efficient operation, always keep the power tool and the ventilation slots clean.**

Carefully clean the saw blade receptacle with a soft cloth. To do so, remove the saw blade from the power tool. Keep the saw blade receptacle operational using suitable lubricants. If the power tool becomes very dirty, this can lead to serious faults. For this reason, do not cut materials which generate large quantities of dust from below or overhead.

After-Sales Service and Application Service

Our after-sales service responds to your questions concerning maintenance and repair of your product as well as spare parts. You can find explosion drawings and information on spare parts at: www.bosch-pt.com

The Bosch product use advice team will be happy to help you with any questions about our products and their accessories.

In all correspondence and spare parts orders, please always include the 10-digit article number given on the nameplate of the product.

Malaysia

Robert Bosch Sdn. Bhd.(220975-V) PT/SMY
No. 8A, Jalan 13/6
46200 Petaling Jaya
Selangor
Tel.: (03) 79663194
Toll-Free: 1800 880188
Fax: (03) 79583838
E-Mail: kiathoe.chong@my.bosch.com
www.bosch-pt.com.my

You can find further service addresses at:

www.bosch-pt.com/serviceaddresses

Transport

The recommended lithium-ion batteries are subject to legislation on the transport of dangerous goods. The user can

transport the batteries by road without further requirements.

When shipping by third parties (e.g.: by air transport or forwarding agency), special requirements on packaging and labelling must be observed. For preparation of the item being shipped, consulting an expert for hazardous material is required.

Dispatch battery packs only when the housing is undamaged. Tape or mask off open contacts and pack up the battery in such a manner that it cannot move around in the packaging. Please also observe the possibility of more detailed national regulations.

Disposal



Power tools, rechargeable batteries, accessories and packaging should be sorted for environmental-friendly recycling.



Do not dispose of power tools and batteries/rechargeable batteries into household waste!

Battery packs/batteries:

Li-ion:

Please observe the notes in the section on transport (see "Transport", page 9).

中文

安全规章

电动工具通用安全警告

警告！ 阅读随电动工具提供的所有安全警告、说明、图示和规定。不遵照以下所列说明会导致电击、着火和/或严重伤害。

保存所有警告和说明书以备查阅。

警告中的术语“电动工具”是指市电驱动（有线）电动工具或电池驱动（无线）电动工具。

工作场地的安全

- ▶ 保持工作场地清洁和明亮。杂乱和黑暗的场地会引发事故。
- ▶ 不要在易爆环境，如有易燃液体、气体或粉尘的环境下操作电动工具。电动工具产生的火花会点燃粉尘或气体。
- ▶ 操作电动工具时，远离儿童和旁观者。注意力不集中会使你失去对工具的控制。

电气安全

- ▶ 电动工具插头必须与插座相配。绝不能以任何方式改装插头。需接地的电动工具不能使用任何转

换插头。未经改装的插头和相配的插座将降低电击风险。

- ▶ 避免人体接触接地表面，如管道、散热片和冰箱。如果你身体接触接地表面会增加电击风险。
- ▶ 不得将电动工具暴露在雨中或潮湿环境中。水进入电动工具将增加电击风险。
- ▶ 不得滥用软线。绝不能用软线搬运、拉动电动工具或拔出其插头。使软线远离热源、油、锐边或运动部件。受损或缠绕的软线会增加电击风险。
- ▶ 当在户外使用电动工具时，使用适合户外使用的延长线。适合户外使用的电线将降低电击风险。
- ▶ 如果无法避免在潮湿的环境中操作电动工具，应使用带有剩余电流装置（RCD）保护的电源。RCD的使用可降低电击风险。

人身安全

- ▶ 保持警觉，当操作电动工具时关注所从事的操作并保持清醒。当你感到疲倦，或在有药物、酒精或治疗反应时，不要操作电动工具。在操作电动工具时瞬间的疏忽会导致严重人身伤害。
- ▶ 使用个人防护装置。始终佩戴护目镜。防护装置，诸如适当条件下使用防尘面具、防滑安全鞋、安全帽、听力防护等装置能减少人身伤害。
- ▶ 防止意外起动。在连接电源和/或电池包、拿起或搬运工具前确保开关处于关断位置。手指放在开关上搬运工具或开关处于接通时通电会导致危险。
- ▶ 在电动工具接通之前，拿掉所有调节钥匙或扳手。遗留在电动工具旋转零件上的扳手或钥匙会导致人身伤害。
- ▶ 手不要过分伸展。时刻注意立足点和身体平衡。这样能在意外情况下能更好地控制住电动工具。
- ▶ 着装适当。不要穿宽松衣服或佩戴饰品。让你的头发和衣服远离运动部件。宽松衣服、配饰或长发可能会卷入运动部件。
- ▶ 如果提供了与排屑、集尘设备连接用的装置，要确保其连接完好且使用得当。使用集尘装置可降低尘屑引起的危险。
- ▶ 不要因为频繁使用工具而产生的熟悉感而掉以轻心，忽视工具的安全准则。某个粗心的动作可能在瞬间导致严重的伤害。

电动工具使用和注意事项

- ▶ 不要勉强使用电动工具，根据用途使用合适的电动工具。选用合适的按照额定值设计的电动工具会使你工作更有效、更安全。
- ▶ 如果开关不能接通或关断电源，则不能使用该电动工具。不能通过开关来控制的电动工具是危险的且必须进行修理。
- ▶ 在进行任何调节、更换附件或贮存电动工具之前，必须从电源上拔掉插头和/或卸下电池包（如可拆卸）。这种防护性的安全措施降低了电动工具意外起动的风险。
- ▶ 将闲置不用的电动工具贮存在儿童所及范围之外，并且不允许不熟悉电动工具和不了解这些说明的人操作电动工具。电动工具在未经培训的使用者手中是危险的。

- ▶ **维护电动工具及其附件。**检查运动部件是否调整到位或卡住，检查零件破损情况和影响电动工具运行的其他状况。如有损坏，应在使用前修理好电动工具。许多事故是由维护不良的电动工具引发的。
- ▶ **保持切削刀具锋利和清洁。**维护良好地有锋利切削刃的刀具不易卡住而且容易控制。
- ▶ **按照使用说明书，并考虑作业条件和要进行的作业来选择电动工具、附件和工具的刀头等。**将电动工具用于那些与其用途不符的操作可能会导致危险情况。
- ▶ **保持手柄和握持表面干燥、清洁，不得沾有油脂。**在意外的情况下，湿滑的手柄不能保证握持的安全和对工具的控制。

电池式工具使用和注意事项

- ▶ **仅使用生产者规定的充电器充电。**将适用于某种电池包的充电器用到其他电池包时可能会发生着火危险。
- ▶ **仅使用配有专用电池包的电动工具。**使用其他电池包可能会产生伤害和着火危险
- ▶ **当电池包不用时，将它远离其他金属物体，例如回形针、硬币、钥匙、钉子、螺钉或其他小金属物体，以防电池包一端与另一端连接。**电池组端部短路可能会引起燃烧或着火。
- ▶ **在滥用条件下，液体可能会从电池组中溅出；应避免接触。**如果意外碰到液体，用水冲洗。如果液体碰到了眼睛，还应寻求医疗帮助。从电池中溅出的液体可能会发生腐蚀或燃烧。
- ▶ **不要使用损坏或改装过的电池包或工具。**损坏或改装过的电池组可能呈现无法预测的结果，导致着火、爆炸或伤害。
- ▶ **不要将电池包暴露于火或者高温中。**电池包暴露于火或高于130°C的高温中可能导致爆炸。
- ▶ **遵守所有充电说明，给电池组或工具充电时不要超出说明中规定的温度范围。**错误充电或温度超出规定的范围可能会损坏电池并提高着火的风险。

维修

- ▶ **由专业维修人员使用相同的备件维修电动工具。**这将保证所维修的电动工具的安全。
- ▶ **决不能维修损坏的电池包。**电池包仅能由生产者或其授权的维修服务商进行维修。

往复锯安全说明

- ▶ **当在锯割附件可能触及暗线的场合进行操作时，通过绝缘握持面握持工具。**锯割附件碰到带电导线会使工具外露的金属零件带电，从而使操作者受到电击。
- ▶ **使用夹具或其他实用方法将工件固定和支撑在稳定的工作台面。**用手或身体固定工件会使工件不稳引起失控。
- ▶ **双手必须远离锯割范围，手不可以握在工件下端。**如果不小心碰触了锯片可能被割伤。
- ▶ **工作时要使用双手握紧电动工具并确保站稳。**使用双手才能够稳定地操作电动工具。

- ▶ **先开动电动工具后再把工具放置在工件上切割。**如果电动工具被夹在工件中，会有反弹的危险。
- ▶ **注意锯割时必须把底座正确安稳地放置在工件上。**锯片可能在工作中被夹住，而令您无法控制电动工具。
- ▶ **工作告一段落时，必须先关闭电动工具并等待机器完全静止后，才可以从锯缝中拔出锯刀。**如此不但可以防止反弹，而且可以防止放置机器时发生危险。
- ▶ **等待电动工具完全静止后才能够放下机器。**机器上的工具可能在工作中被夹住，而令您无法控制电动工具。
- ▶ **只能使用未受损的功能正常的锯片。**弯曲或变钝的锯片可能断裂，对锯痕造成负面影响或导致反弹。
- ▶ **关机后不可以侧压刀片来制止仍然继续转动的刀片。**锯刀可能因此受损、断裂或者造成反击。
- ▶ **材料要牢固夹紧，不得用手或脚支撑工件。**不得用正在运转的锯片触碰物体或地面。有反弹危险。
- ▶ **使用合适的侦测装置侦察隐藏的电线，或者向当地的相关单位寻求支援。**接触电线可能引起火灾并让操作者触电。损坏了瓦斯管会引起爆炸。如果水管被刺穿了会导致财物损失。
- ▶ **如果充电电池损坏或者未按规定使用，充电电池中会散发出有毒蒸汽。**充电电池可能会燃烧或爆炸。工作场所必须保持空气流通，如果身体有任何不适必须马上就医。蒸汽会刺激呼吸道。
- ▶ **切勿打开充电电池。**可能造成短路。
- ▶ **钉子、螺丝刀等尖锐物品或外力作用可能会损坏充电电池。**有可能出现内部短路、蓄电池燃烧、发出烟雾、爆炸或过热。
- ▶ **只能将此充电电池用在制造商的产品中。**这样才能确保充电电池不会过载。



保护充电电池免受高温（例如长期阳光照射）、火焰、脏污、水和湿气的侵害。有爆炸和短路的危险。

产品和性能说明



请阅读所有安全规章和指示。不遵照以下警告和说明可能导致电击、着火和/或严重伤害。

请注意本使用说明书开头部分的图示。

按照规定使用

本电动工具可以锯割木材、塑料、金属和一般建材。锯割时必须用力地将机器顶向工件。适用于直线和曲线切割。安装了专用的双金属锯刀后，能够锯割出非常平整的锯口。选用锯刀时请参考本公司提出的建议。

插图上的机件

机件的编号和电动工具详解图上的编号一致。

(1) 锯片^{a)}

- (2) 底板
- (3) 锯片锁紧套筒
- (4) 充电电池^{a)}
- (5) 起停开关的开机锁
- (6) 起停开关
- (7) 工作灯
- (8) 充电电池的解锁按钮^{a)}
- (9) 手柄（绝缘握柄）
- (10) 锯片架

a) 图表或说明上提到的附件，并不包含在基本的供货范围中。本公司的附件清单中有完整的附件供应项目。

技术参数

马刀锯		GSA 18 V-LI C
物品代码		3 601 FA5 0..
额定电压	伏特=	18
空载转速 n_0 ^{A)}	转/分钟	0-3050
工具夹头		SDS
冲程	毫米	21
最大切割深度		
- 木材	毫米	200
- 钢材（非合金）	毫米	16
- 管直径	毫米	100
重量符合EPTA-Procedure 01:2014	公斤	2.3-3.3 ^{B)}
充电时建议的环境温度	摄氏度	0至+35
工作时和存放时允许的环境温度 ^{C)}	摄氏度	-20至+50
推荐的充电电池		GBA 18V... ProCORE18V...
推荐的充电器		GAL 18... GAX 18... GAL 36...

A) 在20-25摄氏度的条件下带充电电池GBA 18V 4.0Ah测得

B) 视所使用的充电电池而定

C) 温度<0 摄氏度时功率受限

充电电池

为充电电池充电

► 请只使用在技术参数中列出的充电器。只有这些充电器才适用于本电动工具上的锂离子电池。

提示：鉴于国际运输规定，锂离子充电电池在交货时只完成部分充电。首度使用电动工具之前，必须先充足充电电池的电量以确保充电电池的功率。

安装充电电池

将充好电的充电电池推入电池座，直到嵌入。

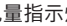

取出充电电池

如需取下充电电池，则请按压解锁按钮，然后拔出充电电池。**在此过程中请勿过度用力。**

充电电池具备双重锁定功能，即使不小心触动了充电电池的解锁按钮，充电电池也不会从机器中掉落下来。只要充电电池安装在电动工具中，就会被弹簧固定在位置上。

充电电池电量指示灯

充电电池电量指示灯的绿色LED灯显示充电电池的电量。基于安全原因，只能在电动工具静止时检查充电电池的电量。

按压充电电量指示灯按键或, 来显示充电电量。也可以在充电电池取下时操作。

如果按压充电电量指示灯按键后没有LED灯亮起，则说明充电电池损坏，必须进行更换。

充电电池型号GBA 18V...



LED	电量
3个绿灯长亮	60-100 %
2个绿灯长亮	30-60 %
1个绿灯长亮	5-30 %
1个绿灯闪烁	0-5 %

充电电池型号ProCORE18V...



LED	电量
5个绿灯长亮	80-100 %
4个绿灯长亮	60-80 %
3个绿灯长亮	40-60 %
2个绿灯长亮	20-40 %
1个绿灯长亮	5-20 %
1个绿灯闪烁	0-5 %

如何正确地使用充电电池

保护充电电池，避免湿气和水分渗入。

充电电池必须储存在-20 °C至50 °C的环境中。夏天不得将充电电池搁置在汽车中。

不时地使用柔软，清洁而且干燥的毛刷清洁充电电池的通气孔。

充电后如果充电电池的使用时间明显缩短，代表充电电池已经损坏，必须更换新的充电电池。

请注意有关作废处理的规定。

安装

► 在电动工具上进行任何维护的工作（例如维修，更换工具等等），以及搬运、保存电动工具之前

都必须从机器中取出蓄电池。无意间操作开关可能会造成伤害。

安装/更换锯片

- ▶ **安装或更换工具刀头时务必佩戴保护手套。** 工具刀头非常锋利，长时间使用后会变热。
- ▶ **更换锯刀时请注意，锯片架上不可以有任何杂物，例如木屑或金属屑等。**

选择锯片

在本说明书的最后有锯片的一览表。只能安装带1/2英寸通用刀柄的锯片。锯片长度不得超过预定锯切线所需的数值。

安装锯片 (见图片 A)

沿箭头方向转动锁紧套筒(3)约90°并固定住。将锯片(1)按入锯片架(10)。再次松开锁紧套筒。

- ▶ **通过拉动锯片来检查安装是否牢固。** 松脱的锯片会从接头掉落并伤害您。

对于某些操作，也可以将锯片(1)翻转180°(锯齿朝上)后再使用。

取下锯片 (参见插图 B)

- ▶ **锯片冷却后才能取出。** 接触炙热的锯片有受伤的危险。

沿箭头方向转动锁紧套筒(3)约90°并固定住。取下锯片(1)。

吸锯尘/吸锯屑

含铅的颜料以及某些木材、矿物和金属的加工废尘有害健康。机器操作者或者工地附近的人如果接触、吸入这些废尘，可能会有过敏反应或者感染呼吸道疾病。

某些尘埃(例如加工橡木或山毛榉的废尘)可能致癌，特别是和处理木材的添加剂(例如木材的防腐剂等)结合之后。只有经过专业训练的人才能够加工含石棉的物料。

- 工作场所要保持空气流通。
- 最好佩戴P2滤网等级的口罩。

请留心并遵守贵国和加工物料有关的法规。

- ▶ **避免让工作场所堆积过多的尘垢。** 尘埃容易被点燃。

运行

投入使用

接通/关闭 (参见插图C)

如要接通电动工具，请首先向左按压开机锁(5)。然后按压起停开关(6)并按住。

轻按或是把电源开关(6)按到底时，工作灯会亮起，在照明状况不佳的环境中可以借此照亮操作位置。

如要关闭电动工具，请松开起停开关(6)。然后重新向右按压开机锁(5)。

控制冲击次数

可以无级调节已接通电动工具的冲击次数，视按压起停开关(6)的力道程度决定。

以较小的力按压起停开关(6)时，冲击次数较低。逐渐在开关上加压，冲击次数也会跟着提高。

正确的冲击次数必须视工件物料和工作状况而定。唯有实际操作才能找出最合适的冲击次数。

起锯时，或者锯割塑料、铝片时最好降低冲击次数。

以小的冲击次数长期工作之后，电动工具会变得很热。拆下锯片，让电动工具以最高冲击次数运作3分钟以加速冷却。

工作提示

- ▶ **在电动工具上进行任何维护的工作(例如维修, 更换工具等等), 以及搬运、保存电动工具之前都必须从机器中取出蓄电池。** 无意间操作开关可能会造成伤害。
- ▶ **当锯片被夹住时, 请立即关闭电动工具。**

建议

- ▶ **锯割轻建材时, 必须注意有关的法令规定以及材料供应商提供的建议事宜。**

锯切木材、刨花板、建筑材料等材料前应检查是否有异物, 比如钉子、螺栓等类似物质, 请使用合适的锯片。

先开动电动工具再把工具靠在工件上。将底板(2)放到工件表面上, 用均匀的压力或进给量锯断材料。工作完备后随手关闭电动工具。

如果锯刀被夹住了, 必须马上关闭电动工具。使用合适的工具撑开锯缝并拔出电动工具。

切入式锯切 (见图片 D)

- ▶ **在切入式锯切工艺中, 仅允许加工软材料, 比如木材、石膏板等类似材料! 不要使用切入式锯切工艺加工金属。**

切入式锯切时只能使用短锯片。

将电动工具底板(2)的一边放到工件上, 锯片(1)不要触碰到工件, 然后开机。如果电动工具有冲击次数控制装置, 必须选择最高冲击次数。将电动工具用力压向工件, 并让锯片慢慢地切入工件中。

一旦底板(2)齐平地贴着工件, 就可沿着所需的锯切线继续切割。

对于某些操作, 可将锯片(1)旋转180°后安装并相应地翻转电动工具。

齐平锯切 (参见插图E)

使用双金属弹性锯片, 可以直接在墙壁上锯切突出的结构件, 比如水管。

- ▶ **注意锯片应始终长于待加工工件的直径。有反弹危险。**

把锯刀直接靠在墙上, 侧向按压电动工具, 让锯片稍稍弯曲, 直到底板贴在墙面上。将电动工具开机, 使用恒定的侧向压力锯断工件。

冷却剂/润滑剂

锯割金属时由于物料会变热, 必须沿着锯割线涂抹冷却剂或润滑剂。

维修和服务

保养和清洁

- ▶ 在电动工具上进行任何维护的工作（例如维修，更换工具等等），以及搬运、保存电动工具之前都必须从机器中取出蓄电池。无意间操作开关可能会造成伤害。
- ▶ 电动工具和通气孔必须随时保持清洁，以确保工作效率和工作安全。

最好用软刷清洁锯片架。此时必须先拆卸电动工具上的锯片。请使用合适的润滑剂来确保锯片架的正常功能。

电动工具如果沾满污垢，可能会影响机器的功能。因此，请勿从下方或在头顶上切割会产生大量粉尘的材料。

客户服务和应用咨询

本公司顾客服务处负责回答有关本公司产品的修理、维护和备件的问题。备件的展开图纸和信息也可查看：www.bosch-pt.com
博世应用咨询团队乐于就我们的产品及其附件问题提供帮助。

询问和订购备件时，务必提供机器铭牌上标示的10位数物品代码。

中国大陆

博世电动工具（中国）有限公司
中国 浙江省 杭州市
滨江区 滨康路567号
102/1F 服务中心
邮政编码：310052
电话：(0571)8887 5566 / 5588
传真：(0571)8887 6688 x 5566# / 5588#
电邮：bsc.hz@cn.bosch.com
www.bosch-pt.com.cn

制造商地址：

Robert Bosch Power Tools GmbH
罗伯特·博世电动工具有限公司
70538 Stuttgart / GERMANY
70538 斯图加特 / 德国

其他服务地址请见：

www.bosch-pt.com/serviceaddresses

搬运

所推荐的锂离子充电电池必须符合危险物品法规。使用者无须另外使用保护包装便可以运送该充电电池。

但是如果将它交由第三者运送（例如：寄空运或委托运输公司）则要使用特殊的包装和标示。此时必须向危险物品专家请教有关寄送危险物品的相关事宜。

确定充电电池的外壳未受损后，才可以寄送充电电池。粘好未加盖的触点并包装好充电电池，不可以让充电电池在包装中晃动。必要时也得注意各国有关的法规。

处理废弃物



必须以符合环保的方式，回收再利用损坏的电动工具、充电电池、附件和废弃的包装材料。



不可以把电动工具和充电电池/蓄电池丢入一般的家庭垃圾中！

充电电池/电池：

锂离子：

请注意“搬运”段落中的指示（参见“搬运”，页 14）确认设置。

产品中有害物质的名称及含量

部件名称	有害物质					
	铅 (Pb)	汞 (Hg)	镉 (Cd)	六价铬 (Cr ⁺⁶)	多溴联苯 (PBB)	多溴二苯醚 (PBDE)
外壳的金属部分	○	○	○	○	○	○
外壳的非金属部分	○	○	○	○	○	○
机械传动机构	X	○	○	○	○	○
电机组件	X	○	○	○	○	○
控制组件	X	○	○	○	○	○
附件	○	○	○	○	○	○
配件	○	○	○	○	○	○
连接件	X	○	○	○	○	○
电源线①	○	○	○	○	○	○
电池系统②	X	○	○	○	○	○

本表格依据SJ/T11364的规定编制。

O: 表示该有害物质在该部件所有均质材料中的含量均在GB/T 26572规定的限量要求以下。

X: 表示该有害物质至少在该部件的某一均质材料中的含量超出GB/T 26572规定的限量要求。且目前业界没有成熟的替代方案，符合欧盟RoHS指令环保要求。

① 适用于采用电源线连接供电的产品。

② 适用于采用充电电池供电的产品。

产品环保使用期限内的使用条件参见产品说明书。

繁體中文

安全注意事項

電動工具一般安全注意事項

警告

請詳讀工作臺及電動工具的所有安全警告與使用說明。若不

遵照以下列出的指示，將可能導致電擊、著火和/或人員重傷。

保存所有警告和說明書以備查閱。

在所有警告中，「電動工具」此一名詞泛指：以市電驅動的（有線）電動工具或是以電池驅動的（無線）電動工具。

工作場地的安全

- ▶ 保持工作場地清潔和明亮。混亂和黑暗的場地會引發事故。
- ▶ 不要在易爆環境，如有易燃液體、氣體或粉塵的環境下操作電動工具。電動工具產生的火花會點燃粉塵或氣體。
- ▶ 讓兒童和旁觀者離開後操作電動工具。注意力不集中會使您失去對工具的控制。

電氣安全

- ▶ 電動工具插頭必須與插座相配。絕不能以任何方式改裝插頭。需接地的電動工具不能使用任何轉換插頭。未經改裝的插頭和相配的插座將減少電擊危險。
- ▶ 避免人體接觸接地表面，如管道、散熱片和冰箱。如果您身體接地會增加電擊危險。
- ▶ 不得將電動工具暴露在雨中或潮濕環境中。水進入電動工具將增加電擊危險。
- ▶ 不得濫用電線。絕不能用電線搬運、拉動電動工具或拔出其插頭。使電線遠離熱源、油、銳利邊緣或移動零件。受損或纏繞的軟線會增加電擊危險。
- ▶ 當在戶外使用電動工具時，使用適合戶外使用的延長線。適合戶外使用的軟線，將減少電擊危險。
- ▶ 如果在潮濕環境下操作電動工具是不可避免的，應使用剩餘電流動作保護器（RCD）。使用RCD可降低電擊危險。

人身安全

- ▶ 保持警覺，當操作電動工具時關注所從事的操作並保持清醒。當您感到疲倦，或在有藥物、酒精

或治療反應時，不要操作電動工具。在操作電動工具時瞬間的疏忽會導致嚴重人身傷害。

- ▶ 使用個人防護裝置。始終佩戴護目鏡。安全裝置，諸如適當條件下使用防塵面具、防滑安全鞋、安全帽、聽力防護等裝置能減少人身傷害。
- ▶ 防止意外起動。確保開關在連接電源和/或電池盒、拿起或搬運工具時處於關閉位置。手指放在已接通電源的開關上或開關處於接通時插入插頭可能會導致危險。
- ▶ 在電動工具接通之前，拿掉所有調節鑰匙或扳手。遺留在電動工具旋轉零件上的扳手或鑰匙會導致人身傷害。
- ▶ 手不要伸展得太長。時刻注意立足點和身體平衡。這樣在意外情況下能很好地控制電動工具。
- ▶ 著裝適當。不要穿寬鬆衣服或佩戴飾品。讓您的衣物及頭髮遠離運動部件。寬鬆衣服、佩戴或長髮可能會捲入運動部件中。
- ▶ 如果提供了與排屑、集塵設備連接用的裝置，要確保他們連接完好且使用得當。使用這些裝置可減少塵屑引起的危險。
- ▶ 切勿因經常使用工具所累積的熟練感而過度自信，輕忽工具的安全守則。任何一個魯莽的舉動都可能瞬間造成人員重傷。

電動工具使用和注意事項

- ▶ 不要濫用電動工具，根據用途使用適當的電動工具。選用適當設計的電動工具會使您工作更有效、更安全。
- ▶ 如果開關不能開啟或關閉工具電源，則不能使用該電動工具。不能用開關來控制的電動工具是危險的且必須進行修理。
- ▶ 在進行任何調整、更換配件或貯存電動工具之前，必須從電源上拔掉插頭並/或取出電池盒。這種防護性措施將減少工具意外起動的危險。
- ▶ 將閒置不用的電動工具貯存在兒童所及範圍之外，並且不要讓不熟悉電動工具或對這些說明不瞭解的人操作電動工具。電動工具在未經培訓的用戶手中是危險的。
- ▶ 保養電動工具與配備。檢查運動件是否調整到位或卡住，檢查零件破損情況和影響電動工具運行的其他狀況。如有損壞，電動工具應在使用前修理好。許多事故由維護不良的電動工具引發。
- ▶ 保持切削刀具鋒利和清潔。保養良好的有鋒利切削刃的刀具不易卡住而且容易控制。
- ▶ 按照使用說明書，考慮作業條件和進行的作業來使用電動工具、配件和工具的刀頭等。將電動工

具用於那些與其用途不符的操作可能會導致危險。

- ▶ **把手及握持區應保持乾燥、潔淨，且不得沾染任何油液或油脂。**易滑脫的把手及握持區將無法讓您在發生意外狀況時安全地抓緊並控制工具。

電池式工具使用和注意事項

- ▶ **只用製造商規定的充電器充電。**將適用於某種電池盒的充電器用到其他電池盒時會發生著火危險。
- ▶ **只有在配有專用電池盒的情況下才使用電動工具。**使用其他電池盒會發生損壞和著火危險。
- ▶ **當電池盒不用時，將它遠離其他金屬物體，例如回形針、硬幣、鑰匙、釘子、螺絲或其他小金屬物體，以防一端與另一端連接。**電池端部短路會引起燃燒或火災。
- ▶ **在濫用條件下，液體會從電池中濺出；避免接觸。**如果意外碰到了，用水沖洗。如果液體碰到了眼睛，還要尋求醫療幫助。從電池中濺出的液體會發生腐蝕或燃燒。
- ▶ **請勿使用已受損或經改裝的電池盒。**已受損或經改裝的電池組可能出現無法預期的反應，進而導致著火、爆炸或造成人員受傷。
- ▶ **勿讓電池盒或工具靠近火源或暴露於異常溫度環境中。**若是靠近火源或暴露在超過130 °C的環境中可能造成爆炸。
- ▶ **請完全遵照所有的充電說明，電池盒或工具的溫度若是超出指示的規定範圍，請勿進行充電。**不當充電或是未在規定的溫度範圍內進行充電，皆可能造成電池損壞並面臨更高的著火風險。

檢修

- ▶ **將您的電動工具送交專業維修人員，必須使用同樣的備件進行更換。**這樣將確保所維修的電動工具的安全性。
- ▶ **請勿自行檢修受損的電池盒。**電池組應交由製造商或是獲得授權的服務供應商來進行檢修。

軍刀鋸安全注意事項

- ▶ **進行作業時，負責進行切割的配件可能會碰觸到隱藏的配線，請從絕緣握把處拿持電動工具。**負責進行切割的配件若是觸及「導電」電線，可能導致電動工具外露的金屬部件「導電」，進而使操作人員遭受電擊。
- ▶ **請用夾具或其他可行方式將工件穩固地架在可靠平台上。**用手握持工件或將它貼靠在您身上會因無法確實固定而導致失控。
- ▶ **雙手必須遠離鋸割範圍，手不可以握在工件下端。**如果不小心碰觸了鋸片可能被割傷。
- ▶ **作業期間請用雙手牢牢握緊電動工具並保持穩固。**使用雙手才能夠更穩定地操作電動工具。
- ▶ **先啟動電動工具後再把工具放置在工件上切割。**如果電動工具被夾在工件中，會有反彈的危險。
- ▶ **請注意：進行鋸切時，請將底座保持貼靠在工件上。**鋸片可能在工作中被夾住，而令您無法控制電動工具。

- ▶ **工作告一段落時，必須先關閉電動工具並等待機器完全靜止後，才可以從鋸縫中抽出鋸刀。**如此不但可以防止反彈，而且可以防止放置機器時發生危險。
- ▶ **必須等待電動工具完全靜止後才能將它放下。**嵌件工具可能卡住而使電動工具失控。
- ▶ **只能使用未受損、功能正常的鋸片。**彎曲或變鈍的鋸片可能斷裂，對鋸痕造成負面影響或導致反彈。
- ▶ **關機後不可以側壓刀片來制止仍然繼續轉動的刀片。**鋸刀可能因此受損、斷裂或者造成反彈。
- ▶ **請確實夾緊加工材料。**請勿用手或用腳撐住工件。請勿讓運轉中的電鋸碰觸任何物品或地面。可能會發生反彈。
- ▶ **使用合適的偵測裝置偵察隱藏的電線，或者向當地的相關單位尋求支援。**接觸電線可能引起火災並讓操作者觸電。若損壞瓦斯管會引起爆炸。如果水管被刺穿會導致財物損失。
- ▶ **如果充電電池損壞了，或者未按照規定使用充電電池，充電電池中會散發出有毒蒸氣。**充電電池可能起火或爆炸。工作場所必須保持空氣流通，如果身體有任何不適必須馬上就醫。充電電池散發的蒸氣會刺激呼吸道。
- ▶ **切勿拆開充電電池。**可能造成短路。
- ▶ **尖銳物品（例如釘子或螺絲起子）或是外力皆有可能造成充電電池損壞。**進而導致內部短路而發生電池起火、冒煙、爆炸或過熱等事故。
- ▶ **僅可使用產品的原廠充電電池。**如此才可依照產品提供過載保護。



保護充電電池免受高溫（例如長期日照）、火焰、污垢、水液和濕氣的侵害。有爆炸及短路之虞。



產品和功率描述



請詳讀所有安全注意事項和指示。如未遵守安全注意事項與指示，可能導致火災、人員遭受電擊及/或重傷。
請留意操作說明書中最前面的圖示。

依規定使用機器

本電動工具設計用來鋸切有固定擋塊的木材、塑膠、金屬和建材。本機器不僅能夠鋸切直線，也可以鋸切曲線。安裝了專用的雙金屬鋸片後，即能鋸切出非常平整的鋸口。選用鋸片時請參考本公司建議。

插圖上的機件

機件的編號和電動工具詳解圖上的編號一致。

- (1) 鋸片^{a)}
- (2) 底座
- (3) 鋸片鎖緊套
- (4) 充電電池^{a)}
- (5) 起停開關的作動安全鎖

- (6) 起停開關
 - (7) 工作燈
 - (8) 充電電池解鎖按鈕^{a)}
 - (9) 把手 (絕緣握柄)
 - (10) 鋸片座
- a) 圖文中提到的配件，並不包含在基本的供貨範圍中。本公司的配件清單中有完整的配件供應項目。

技術性數據

軍刀鋸	GSA 18 V-Li C	
產品機號		3 601 FA5 0..
額定電壓	V=	18
無負載轉速 n_0 ^{A)}	min ⁻¹	0-3050
工具夾座		SDS
衝程	mm	21
最大鋸切深度		
- 在木材上	mm	200
- 在鋼材上 (非合金)	mm	16
- 管徑	mm	100
重量符合 EPTA-Procedure 01:2014	kg	2.3-3.3 ^{B)}
充電狀態下的建議環境溫度	°C	0 ... +35
操作狀態下的容許環境溫度 ^{C)} 以及存放狀態下	°C	-20 ... +50
建議使用的充電電池		GBA 18V... ProCORE18V...
建議使用的充電器		GAL 18... GAX 18... GAL 36...

A) 於 20–25 °C 配備充電電池 GBA 18V 4.0Ah 時測得。

B) 視所使用的充電蓄電池而定

C) 溫度 <0 °C 時，性能受限

充電電池

為充電電池進行充電

- ▶ 只能選用技術性數據裡所列出的充電器。僅有這些充電器適用於電動工具所使用的鋰離子充電電池。

提示：由於國際運輸規定，出貨時鋰離子充電電池已部分充電。初次使用電動工具之前，請先將充電電池充飽電以確保充電電池蓄滿電力。

安裝充電電池

將已充飽電的充電電池推至充電電池固定座內，直到卡緊。



取出充電電池

若要取出充電電池，請按解鎖鈕，然後將充電電池抽出。不可以強行拉出充電電池。

本充電電池具備了雙重鎖定功能，即使不小心按壓了充電電池解鎖按鈕，充電電池也不會從機器中掉落出來。固定彈簧會把充電電池夾緊在機器中。

充電電池的電量指示器

充電電池的電量指示器透過綠色 LED 燈告知充電電池的目前電量。基於安全顧慮，務必在電動工具完全靜止時才能檢查充電電池的電量。

按一下電量指示器按鈕  或 , 即可顯示目前的電量。即使已取出充電電池，此項功能仍可正常運作。

按壓電量顯示按鈕後，LED 燈若未亮起，即表示充電電池故障，必須予以更換。

充電電池型號 GBA 18V...



LED	容量
3 顆綠燈持續亮起	60–100 %
2 顆綠燈持續亮起	30–60 %
1 顆綠燈持續亮起	5–30 %
1 顆綠燈呈閃爍狀態	0–5 %

充電電池型號 ProCORE18V...



LED	容量
5 顆綠燈持續亮起	80–100 %
4 顆綠燈持續亮起	60–80 %
3 顆綠燈持續亮起	40–60 %
2 顆綠燈持續亮起	20–40 %
1 顆綠燈持續亮起	5–20 %
1 顆綠燈呈閃爍狀態	0–5 %

如何正確地使用充電電池

妥善保護充電電池，避免濕氣和水分滲入。充電電池必須儲存在 -20 °C 至 50 °C 的環境中。夏天不可以把充電電池擱置在汽車中。偶爾用柔軟、乾淨且乾燥的毛刷清潔充電電池的通氣孔。充電後如果充電電池的使用時間明顯縮短，代表充電電池已經損壞，必須更換新的充電電池。請您遵照廢棄物處理相關指示。

安裝

- ▶ 在電動工具上進行任何維護的工作（例如維修，更換工具等）以及搬運和儲存電動工具之前，都必須電動工具中取出充電電池。若是小心觸動起停開關，可能造成人員受傷。

安裝／更換鋸片

- ▶ **安裝或更換嵌件工具時務必穿戴防護手套。**嵌件工具極為銳利，而且長時間使用後可能發燙。
- ▶ **更換鋸片時請注意，鋸片座上不可以有任何殘留的材料，例如木屑或金屬屑等。**

選擇鋸片

本手冊最後面另外刊錄了鋸片一覽表。所使用的鋸片必須具有 1/2" 通用柄。鋸片長度不得超過預定鋸線。

安裝鋸片 (請參考圖 A)

沿箭頭方向將鎖緊套 (3) 轉動約 90°，然後予以固定。將鋸片 (1) 推入鋸片座 (10) 裡。重新放開鎖緊套。

- ▶ **透過拉動，確認鋸片是否已裝牢。**鬆動的鋸片可能脫落並造成您受傷。

針對某些特定加工作業，亦可將鋸片 (1) 翻面後 (即鋸齒朝上) 再重新裝上。

卸下鋸片 (請參考圖 B)

- ▶ **取下鋸片之前，請先讓它冷卻。**接觸太熱的鋸片有受傷之虞。

沿箭頭方向將鎖緊套 (3) 轉動約 90°，然後加以固定。取出鋸片 (1)。

吸鋸塵／吸鋸屑

含鉛的顏料及部分木材、礦物和金屬的加工廢塵有害健康。機器操作者或者工地附近的人如果接觸、吸入這些廢塵，可能會有過敏反應或者感染呼吸道疾病。

特定粉塵 (例如加工橡木或山毛櫸的廢塵) 可能致癌，特別是與處理木材的添加劑 (例如木材的防腐劑等) 混合之後。只有經過專業訓練的人才允許加工含石棉的物料。

- 工作場所要保持空氣流通。
- 建議佩戴 P2 濾網等級的口罩。

請留意並遵守貴國與加工物料有關的法規。

- ▶ **避免讓工作場所堆積過多的塵垢。**塵埃容易被點燃。

操作

操作機器

啟動與關閉 (請參考圖 C)

若要**啟動**電動工具，請先向左按壓作動安全鎖 (5)。接著，按壓起停開關 (6) 不要放開。

輕按起停開關 (6) 或完全按下時，工作燈隨即亮起，可照亮光線不足的工作區域。

若要**關閉**電動工具，放開起停開關 (6) 即可。然後向右按下作動安全鎖 (5)。

調整衝擊次數

您可為已啟動的電動工具無段調控轉速，衝擊次數是由按壓起停開關 (6) 的深度而定。

輕按起停開關 (6) 時，衝擊次數較少。按得越緊衝擊次數越多。

正確的衝擊次數必須視工件物料和工作狀況而定。唯有實際操作才能找出最合適的衝擊次數。

將鋸片放到工件上時以及鋸切塑膠、鋁片時，建議您降低衝擊次數。

以較少的衝擊次數長時間加工後，電動工具會變得很熱。拆下鋸片，讓電動工具以最高衝擊次數運作 3 分鐘以加速冷卻。

作業注意事項

- ▶ **在電動工具上進行任何維護的工作 (例如維修，更換工具等) 以及搬運和儲存電動工具之前，都必須電動工具中取出充電電池。**若是不小心觸動起停開關，可能造成人員受傷。

- ▶ **如果鋸片被夾住了，請立刻關閉電動工具的電源。**

建議

- ▶ **鋸切輕建材時，必須注意有關的法令規定以及材料供應商提供的建議事宜。**

在鋸進木材、塑合板、建材等物的內部前，請先確認有無異物 (例如鐵釘、螺絲等)，並且應使用適合的鋸片。

先啟動電動工具再把工具靠在工件上。請將底座 (2) 靠在工件表面上，然後施力均勻地鋸開或推進。工作完成後隨手關閉電動工具。

如果鋸片被夾住了，必須馬上關閉電動工具。使用合適的工具撐開鋸縫，然後將電動工具拔出。

潛鋸 (請參考圖 D)

- ▶ **僅在加工木材、石膏板等這類軟性材料時可進行潛鋸！不能在金屬上進行潛鋸！**

潛鋸時只能使用短型鋸片。

將電動工具的底座 (2) 邊緣放到工件上，但不要讓鋸片 (1) 接觸到工件，然後啟動機器。如果電動工具具備衝擊次數調控功能的話，必須選擇最高衝擊次數。用力地把電動工具壓向工件，並讓鋸片慢慢地潛入工件中。

待底座 (2) 完全貼靠在工件上時，便立刻沿著預計完工的鋸切線繼續鋸切。

針對某些特定加工作業，亦可將鋸片 (1) 旋轉 180°，並配合其方向推進電動工具。

平鋸 (請參考圖 E)

彈性雙金屬鋸片可讓您平貼在牆壁上鋸開凸出的建築構件，例如水管。

- ▶ **請注意：鋸片的長度必須全程超出加工工件的直徑。可能會發生反彈。**

把鋸片直接靠在牆上，側壓電動工具讓底座貼在牆面上。啟動電動工具並透過均力地側壓鋸斷工件。

冷卻劑／潤滑劑

鋸切金屬時由於物料會變熱，必須在鋸割線上塗抹冷卻劑或潤滑劑。

維修和服務

保養與清潔

- ▶ 在電動工具上進行任何維護的工作（例如維修，更換工具等）以及搬運和儲存電動工具之前，都必須電動工具中取出充電電池。若是不小心觸動起停開關，可能造成人員受傷。
- ▶ 電動工具和通風口都必須保持清潔，這樣才能夠提高工作品質和安全性。

軟刷是清潔鋸片座的最佳工具。此時必須先拆除電動工具上的鋸片。使用合適的潤滑劑保養鋸片座，即可常保運作正常。

電動工具如果沾滿污垢，可能會影響機器性能。請勿從下方或從高於頭部的位置鋸切會生成大量粉塵的材料。

顧客服務處和顧客諮詢中心

本公司顧客服務處負責回答有關本公司產品的維修、維護和備用零件的問題。以下的網頁中有分解圖和備用零件相關資料：www.bosch-pt.com
如果對本公司產品及其配件有任何疑問，博世應用諮詢小組很樂意為您提供協助。
當您需要諮詢或訂購備用零件時，請務必提供本產品型號銘牌上 10 位數的產品機號。

台灣

台灣羅伯特博世股份有限公司
建國北路一段90號6樓
台北市10491
電話: (02) 7734 2588
傳真: (02) 2516 1176
www.bosch-pt.com.tw

製造商地址:

Robert Bosch Power Tools GmbH
羅伯特·博世電動工具有限公司
70538 Stuttgart / GERMANY
70538 斯圖加特/ 德國

以下更多客戶服務處地址：

www.bosch-pt.com/serviceaddresses

搬運

建議使用的鋰離子充電電池受危險物品法的規範。使用者無須另外使用保護包裝便可運送該充電電池。

但是如果將它交由第三者運送（例如：寄空運或委託運輸公司），則應遵照包裝與標示的相關要求。此時必須向危險物品專家請教有關寄送危險物品的相關事宜。

確定充電電池的外殼未受損後，才可以寄送充電電池。用膠帶貼住裸露的接點並妥善包裝充電電池，不可以讓充電電池在包裝材料中晃動。同時也應留意各國相關法規。

廢棄物處理



必須以符合環保的方式，將損壞的電動工具、充電電池、配件和包裝材料進行回收再利用。



不可以把電動工具和充電電池/拋棄式電池丟入一般家庭垃圾中！

充電電池/拋棄式電池：

鋰離子：

請注意「搬運」段落中的指示（參見「搬運」，頁 19）。

한국어

안전 수칙

전동공구 일반 안전 수칙

⚠ 경고

본 전동공구와 함께 제공된 모든 안전경고, 지시사항, 그림 및

사양을 숙지하십시오. 다음의 지시 사항을 준수하지 않으면 감전, 화재, 또는 심각한 부상을 초래할 수 있습니다.

앞으로 참고할 수 있도록 이 안전수칙과 사용 설명서를 잘 보관하십시오.

다음에서 사용되는 "전동공구"라는 개념은 전원에 연결하여 사용하는 (전선이 있는) 전동 기기나 배터리를 사용하는 (전선이 없는) 전동 기기를 의미합니다.

작업장 안전

- ▶ 작업장을 항상 깨끗이 하고 조명을 밝게 하십시오. 작업장 환경이 어수선하거나 어두우면 사고를 초래할 수 있습니다.
- ▶ 가연성 유체, 가스 또는 분진이 있어 폭발 위험이 있는 환경에서 전동공구를 사용하지 마십시오. 전동공구는 분진이나 증기에 점화하는 스파크를 일으킬 수 있습니다.
- ▶ 전동공구를 사용할 때 구멍이나 어린이 혹은 다른 사람이 작업장에 접근하지 못하게 하십시오. 다른 사람이 주의를 산만하게 하면 기기에 대한 통제력을 잃기 쉽습니다.

전기에 관한 안전

- ▶ 전동공구의 전원 플러그가 전원 콘센트에 잘 맞아야 합니다. 플러그를 절대 변경시켜서는 안 됩니다. (접지된) 전동공구를 사용할 때 어댑터 플러그를 사용하지 마십시오. 변형되지 않은 플러그와 잘 맞는 콘센트를 사용하면 감전의 위험을 줄일 수 있습니다.

- ▶ 파이프 관, 라디에이터, 레인지, 냉장고와 같은 접지 표면에 몸이 닿지 않도록 하십시오. 몸에 닿을 경우 감전될 위험이 높습니다.
- ▶ 전동공구를 비에 맞지 않게 하고 습기 있는 곳에 두지 마십시오. 전동공구에 물이 들어가면 감전될 위험이 높습니다.
- ▶ 전원 코드를 잘못 사용하는 일이 없도록 하십시오. 전원 코드를 잡고 전동공구를 운반해서는 안 되며, 콘센트에서 전원 플러그를 뽑을 때 전원 코드를 잡아 당겨서는 절대로 안 됩니다. 전원 코드가 열과 오일에 접촉하는 것을 피하고, 날카로운 모서리나 기기의 가동 부위에 닿지 않도록 주의 하십시오. 손상되거나 영진 전원 코드는 감전을 유발할 수 있습니다.
- ▶ 실외에서 전동공구로 작업할 때는 실외용으로 적당한 연장 전원 코드만을 사용하십시오. 실외용 연장 전원 코드를 사용하면 감전의 위험을 줄일 수 있습니다.
- ▶ 전동공구를 습기 찬 곳에서 사용해야 할 경우에는 누전 차단기를 사용하십시오. 누전 차단기를 사용하면 감전 위험을 줄일 수 있습니다.

사용자 안전

- ▶ 신중하게 작업하며, 전동공구를 사용할 때 경솔하게 행동하지 마십시오. 피로한 상태이거나 약육복육 및 음주한 후에는 전동공구를 사용하지 마십시오. 전동공구를 사용할 때 잠이라도 주의가 산만해지면 충상을 입을 수 있습니다.
- ▶ 작업자 안전을 위한 장치를 사용하십시오. 항상 보안경을 착용하십시오. 전동공구의 종류와 사용에 따라 먼저 보호 마스크, 미끄러지지 않는 안전화, 안전모 또는 귀마개 등의 안전한 복장을 하면 상해의 위험을 줄일 수 있습니다.
- ▶ 실수로 기기가 작동되지 않도록 주의하십시오. 전동공구를 전원에 연결하거나 배터리를 끼우기 전에, 혹은 기기를 들거나 운반하기 전에, 전원 스위치가 꺼져 있는지 다시 확인하십시오. 전동공구를 운반할 때 전원 스위치가 손가락을 대거나 전원 스위치가 켜진 상태에서 전원을 연결하면 사고 위험이 높습니다.
- ▶ 전동공구를 사용하기 전에 조절하는 툴이나 키 등을 빼 놓으십시오. 회전하는 부위에 있는 툴이나 키로 인해 상해를 입을 수 있습니다.
- ▶ 자신을 과신하지 마십시오. 불안정한 자세를 피하고 항상 평형을 이룬 상태로 작업하십시오. 안정된 자세와 평형한 상태로 작업해야만이 의외의 상황에서도 전동공구를 안전하게 사용할 수 있습니다.
- ▶ 알맞은 작업복을 입으십시오. 헐렁한 복장을 하거나 장신구를 착용하지 마십시오. 머리카락이 가동하는 기기 부위에 가까이 닿지 않도록 주의 하십시오. 헐렁한 복장, 장신구 혹은 긴 머리는 가동 부위에 말려 사고를 초래할 수 있습니다.
- ▶ 분진 추출장치나 수거장치의 조립이 가능한 경우, 이 장치가 연결되어 있는지, 제대로 작동이 되는지 확인하십시오. 이러한 분진 추출장치를 사용하면 분진으로 인한 사고 위험을 줄일 수 있습니다.

- ▶ 툴을 자주 사용한다고 해서 안주하는 일이 없게 하고 공구의 안전 수칙을 무시하지 않도록 하십시오. 부주의하게 취급하여 순간적으로 심각한 부상을 입을 수 있습니다.

전동공구의 올바른 사용과 취급

- ▶ 기기를 과부하 상태에서 사용하지 마십시오. 작업할 때 이에 적당한 전동공구를 사용하십시오. 알맞은 전동공구를 사용하면 지정된 성능 한도 내에서 더 효율적으로 안전하게 작업할 수 있습니다.
- ▶ 전원 스위치가 고장 난 전동공구를 사용하지 마십시오. 전원 스위치가 작동되지 않는 전동공구는 위험하므로, 반드시 수리를 해야 합니다.
- ▶ 전동공구를 조정하거나 액세서리 부품 교환 혹은 공구를 보관할 때, 항상 전원 콘센트에서 플러그를 미리 빼어 놓거나 배터리를 분리하십시오. 이러한 조치는 실수로 전동공구가 작동하게 되는 것을 예방합니다.
- ▶ 사용하지 않는 전동공구는 어린이 손이 닿지 않는 곳에 보관하고, 전동공구 사용에 익숙하지 않거나 이 사용 설명서를 읽지 않은 사람은 기기를 사용해서는 안 됩니다. 경험이 없는 사람이 전동공구를 사용하면 위험합니다.
- ▶ 전동공구 및 액세서리를 조심스럽게 관리하십시오. 가동 부위가 하자 없이 정상적인 기능을 하는지, 걸리는 부위가 있는지, 혹은 전동공구의 기능에 중요한 부품이 손상되지 않았는지 확인하십시오. 손상된 기기의 부품은 전동공구를 다시 사용하기 전에 반드시 수리를 맡기십시오. 제대로 관리하지 않은 전동공구의 경우 많은 사고를 유발합니다.
- ▶ 절단 공구를 날카롭고 깨끗하게 관리하십시오. 날카로운 절단면이 있고 잘 관리된 절단공구는 걸리는 경우가 드물고 조절하기도 쉽습니다.
- ▶ 전동공구, 액세서리, 장착하는 공구 등을 사용할 때, 이 지시 사항과 특별히 기종 별로 나와있는 사용 방법을 준수하십시오. 이때 작업 조건과 실시하려는 작업 내용을 고려하십시오. 원래 사용 분야가 아닌 다른 작업에 전동공구를 사용할 경우 위험한 상황을 초래할 수 있습니다.
- ▶ 손잡이 및 잡는 면을 건조하게 유지하고, 오일 및 그리스가 묻어 있지 않도록 깨끗하게 하십시오. 손잡이 또는 잡는 면이 미끄러우면 예상치 못한 상황에서 안전한 취급 및 제어가 어려워집니다.

충전 전동공구의 올바른 사용과 취급

- ▶ 배터리를 충전할 때 제조 회사가 추천하는 충전기만을 사용하여 재충전해야 합니다. 특정 제품의 배터리를 위하여 제조된 충전기에 적합하지 않은 다른 배터리를 충전할 경우 화재 위험이 있습니다.
- ▶ 각 전동공구용으로 나와있는 배터리만을 사용하십시오. 다른 종류의 배터리를 사용하면 상해를 입거나 화재를 초래할 수 있습니다.
- ▶ 배터리를 사용하지 않을 때는, 각 극을 자극 할 수 있는 페이퍼 클립, 동전, 열쇠, 못, 나사 등 유사한 금속성 물체와 멀리하여 보관하십시오. 배터리

극 사이에 쇼트가 일어나 화상을 입거나 화재를 야기할 수 있습니다.

- ▶ **배터리를 잘못 사용하면 누수가 생길 수 있습니다.** 누수가 생긴 배터리에 닿지 않도록 하십시오. 피부에 접촉하게 되었을 경우 즉시 물로 씻으십시오. 유체가 눈에 닿았을 경우 바로 의사와 상담하십시오. 배터리에서 나오는 유체는 피부에 자극을 주거나 화상을 입힐 수 있습니다.
- ▶ **손상된 배터리 또는 공구를 사용하지 마십시오.** 손상되었거나 개조된 배터리는 예기치 못한 특성으로 인해 화재, 폭발 또는 부상의 위험을 초래할 수 있습니다.
- ▶ **배터리 또는 공구가 화기 또는 지나치게 높은 온도에 노출되지 않도록 하십시오.** 화기 또는 130 °C 이상의 온도에 노출되면 폭발할 위험이 있습니다.
- ▶ **충전 지침을 준수하고 지침에 제시된 범위를 벗어난 온도에서 충전하지 마십시오.** 제시된 범위를 벗어난 부적절한 온도에서 충전할 경우 배터리가 손상되어 화재 발생의 위험이 증가됩니다.

서비스

- ▶ **전동공구 수리는 반드시 전문 인력에게 맡기고, 수리 정비 시 보쉬 순정 부품만을 사용하십시오.** 그렇게 함으로써 기기의 안전성을 오래 유지할 수 있습니다.
- ▶ **손상된 배터리는 절대 수리하지 마십시오.** 배터리 수리는 제조사 또는 공인 서비스센터에서만 진행할 수 있습니다.

컷소 관련 안전 수칙

- ▶ **절단용 액세서리가 숨겨진 배선에 접촉할 가능성이 있는 작업을 수행할 경우, 전동공구의 절연된 손잡이 면만 잡으십시오.** 절단용 액세서리가 "전류가 흐르는" 전선에 접촉되면, 전동공구의 노출된 금속 부품에 "전류가 흐르는" 상태로 만들어 작업자가 감전될 수 있습니다.
- ▶ **클램프 등을 사용하여 가공물을 작업대에 안전하게 고정하고 받쳐주십시오.** 가공물을 손으로 잡거나 몸쪽을 향하도록 잡으면 불안정한 상태가 되어 통제력을 잃을 수도 있습니다.
- ▶ **톱 쪽으로 손을 가까이 대지 마십시오.** 작업물의 아래쪽을 잡지 마십시오. 톱날과 접하게 되면 부상을 입을 수 있습니다.
- ▶ **전동 공구를 양손으로 꼭 잡고 안전한 자세로 작업하십시오.** 전동공구를 양손으로 잡고 움직이면 더 안전합니다.
- ▶ **전동공구를 켜 상태에서만 작업물에 서서히 접근하십시오.** 그렇지 않으면 톱날이 작업물에 걸리면서 반동이 생길 위험이 있습니다.
- ▶ **톱질 작업 시 밀판이 항상 작업물에 밀착되도록 하십시오.** 톱날이 걸리거나 전동공구에 대한 통제가 어려워질 수 있습니다.
- ▶ **작업을 마치고 나서 전동공구의 전원을 끄고 기기가 완전히 정지된 후에 절단면에서 톱날을 빼내십시오.** 이렇게 하면 반동이 생기는 것을 방지할 수 있으며 전동공구를 안전하게 내려 놓을 수 있습니다.

- ▶ **전동공구를 내려놓기 전에 기기가 완전히 멈추었는지 확인하십시오.** 삽입공구가 걸리거나 전동공구에 대한 통제가 어려워질 수 있습니다.
- ▶ **반드시 손상되지 않고 결합이 없는 톱날만 사용하십시오.** 휘거나 날카롭지 않은 톱날이 부러져 절단 작업을 방해하거나 반동을 유발할 수 있습니다.
- ▶ **전원을 끈 후 옆에서 톱날을 돌려 정지해서는 안 됩니다.** 이로 인해 톱날이 손상되거나 부러질 수 있으며 혹은 반동을 유발할 수 있습니다.
- ▶ **자재를 단단히 잘 조이십시오.** 손이나 발로 작업물을 받치지 마십시오. 톱이 작동할 때 물건 또는 바닥에 닿지 않도록 하십시오. 반동이 발생할 수 있습니다.
- ▶ **보이지 않는 부위에 에너지 배선 및 배관 여부를 확인하려면 적당한 탐지기를 사용하거나 담당 전력 공급회사에 문의하십시오.** 전선에 접하게 되면 화재나 전기 충격을 야기할 수 있습니다. 가스관을 손상시키면 폭발 위험이 있습니다. 수도관을 파손하게 되면 재산 피해를 야기할 수 있습니다.
- ▶ **배터리가 손상되었거나 잘못 사용될 경우 증기가 발생할 수 있습니다.** 배터리에서 화재가 발생하거나 폭발할 수 있습니다. 작업장을 환기시키고, 필요한 경우 의사와 상담하십시오. 증기로 인해 호흡기가 자극될 수 있습니다.
- ▶ **배터리를 분해하지 마십시오.** 단락이 발생할 위험이 있습니다.
- ▶ **뭇이나 스크류 드라이버 같은 뾰족한 물체 또는 외부에서 오는 충격 등으로 인해 축전지가 손상될 수 있습니다.** 내부 단락이 발생하여 배터리가 타거나 연기가 발생하고, 폭발 또는 과열될 수 있습니다.
- ▶ **제조사의 배터리 제품만 사용하십시오.** 그레야만 배터리 과부하의 위험을 방지할 수 있습니다.



배터리를 태양 광선 등 고열에 장시간 노출되지 않도록 하고 불과 오염물질, 물, 수분이 있는 곳에 두지 마십시오. 폭발 및 단락의 위험이 있습니다.



제품 및 성능 설명



모든 안전 수칙과 지침을 숙지하십시오. 다음의 안전 수칙과 지침을 준수하지 않으면 화재 위험이 있으며 감전 혹은 중상을 입을 수 있습니다.

사용 설명서 앞 부분에 제시된 그림을 확인하십시오.

규정에 따른 사용

본 전동공구는 목재, 플라스틱, 금속 및 건축 자재의 톱 작업에 사용해야 합니다. 직선 및 곡선 절단 작업에 적합합니다. 적합한 바이메탈 톱날을 사용하면 작업물 표면에 플래시 절단 작업도 가능합니다. 권장하는 톱날을 사용해야 합니다.

제품의 주요 명칭

제품의 주요 명칭에 표기되어 있는 번호는 기기 그림이 나와있는 면을 참고하십시오.

- (1) 톱날^{a)}
- (2) 밀판
- (3) 톱날 고정 슬리브
- (4) 배터리^{a)}
- (5) 전원 스위치용 시동 안전 잠금장치
- (6) 전원 스위치
- (7) 작업 램프
- (8) 배터리 해제 버튼^{a)}
- (9) 손잡이(절연된 손잡이 부위)
- (10) 톱날 홀더

a) 도면이나 설명서에 나와있는 액세서리는 표준 공급부품에 속하지 않습니다. 전체 액세서리는 저희 액세서리 프로그램을 참고하십시오.

제품 사양

컷소		GSA 18 V-Li C	
제품 번호		3 601 FA5 0..	
정격 전압	V=	18	
공회전 스트로크 수 n ₀ ^{A)}	min ⁻¹	0-3050	
툴 홀더		SDS	
스트로크	mm	21	
최대 절단 깊이			
- 목재	mm	200	
- 철재(비합금)	mm	16	
- 파이프 직경	mm	100	
EPTA-Procedure 01:2014에 따른 중량	kg	2.3-3.3 ^{B)}	
충전 시 권장되는 주변 온도	°C	0... +35	
작동 시 ^{C)} 및 보관 시 허용되는 주변 온도	°C	-20... +50	
권장 배터리		GBA 18V... ProCORE18V...	
권장하는 충전기		GAL 18... GAX 18... GAL 36...	

A) 배터리 GBA 18V 4.0Ah 장착 시 20-25 °C에서 측정됨.

B) 사용하는 배터리에 따라 상이

C) 온도 <0 °C일 때 출력 제한

배터리

배터리 충전하기

▶ 기술자료에 기재되어 있는 충전기만 사용하십시오. 귀하의 전동공구에 사용된 리튬이온 배터리에 맞춰진 충전기들입니다.

지침: 리튬 이온 배터리는 국제 운송 규정에 따라 일부만 충전되에 출고됩니다. 배터리의 성능을 완전하게 보장하기 위해서는 처음 사용하기 전에 배터리를 완전히 충전하십시오.

배터리 장착하기

충전한 배터리는 배터리가 맞물려 고정될 때까지 배터리 홀더 쪽으로 미십시오.

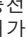

배터리 탈착하기

배터리를 분리하려면 배터리 해제 버튼을 누른 상태에서 배터리를 당겨 빼내십시오. **무리하게 힘을 가하지 마십시오.**

배터리는 배터리 해제 버튼이 실수로 눌러져 배터리가 빠지는 것을 방지하기 위해 잠금장치가 이중으로 되어 있습니다. 전동공구에 배터리가 끼워져 있는 동안 배터리는 스프링으로 제 위치에 고정됩니다.

배터리 충전상태 표시기

배터리 충전상태 표시기에 있는 녹색 LED는 배터리의 충전 상태를 나타냅니다. 안전상의 이유로 전동공구가 멈춰 있는 경우에만 잔량상태 확인이 가능합니다.

충전상태 표시기 버튼  또는 을 누르면, 충전상태가 표시됩니다. 배터리가 분리된 상태에서도 표시 가능합니다.

충전상태 표시기 버튼을 눌렀는데도 LED가 켜지지 않으면 배터리가 손상된 것이므로 교환해 주어야 합니다.

배터리 형식 GBA 18V...



LED	용량
연속등 3x 녹색	60-100 %
연속등 2x 녹색	30-60 %
연속등 1x 녹색	5-30 %
점멸등 1x 녹색	0-5 %

배터리 형식 ProCORE18V...



LED	용량
연속등 5 x 녹색	80-100 %
연속등 4 x 녹색	60-80 %
연속등 3 x 녹색	40-60 %
연속등 2 x 녹색	20-40 %
연속등 1 x 녹색	5-20 %
점멸등 1 x 녹색	0-5 %

올바른 배터리의 취급 방법

배터리를 습기나 물이 있는 곳에 두지 마십시오.

배터리를 -20 °C 에서 50 °C 온도 범위에서만 저장하십시오. 예를 들면 배터리를 여름에 자동차 안에 두지 마십시오.

가끔 배터리의 통풍구를 부드럽고 깨끗한 마른 솔로 청소하십시오.

충전 후 작동 시간이 현저하게 짧아지면 배터리의 수명이 다한 것이므로 배터리를 교환해야 합니다.

폐기처리에 관련된 지시 사항을 준수하십시오.

조립

- ▶ **전동공구에 각종 작업(보수 정비 및 액세서리 교환 등)을 하거나 전동공구를 운반하거나 보관할 경우 배터리를 전동공구에서 빼십시오.** 실수로 전원 스위치가 작동하게 되면 상해를 입을 위험이 있습니다.

톱날 끼우기/교환하기

- ▶ **톱날을 조립 또는 교체할 경우 보호 잠금을 착용하십시오.** 톱날은 날카로우며, 장시간 사용하면 뜨거워질 수 있습니다.
- ▶ **톱날을 교환할 때 톱날 홀더에 절단 시 생기는 목재의 톱밥이나 금속 찌꺼기가 남아 있지 않은지 확인하십시오.**

톱날 선택하기

추천하는 톱날 목록은 본 설명서의 마지막 부분에 나와 있습니다. 1/2" 유니버설 생크 방식의 톱날만 사용하십시오. 톱날이 절단하려는 깊이보다 길면 안 됩니다.

톱날 끼우기(그림 A 참조)

고정 슬리브 (3) 를 약 90° 정도 화살표 방향으로 돌린 후 꼭 잡으십시오. 톱날 (1) 을 톱날 홀더 (10) 쪽으로 미십시오. 고정 슬리브에서 다시 손을 떼십시오.

- ▶ **당겨보면서 톱날이 제대로 끼워졌는지 확인해 보십시오.** 느슨하게 풀린 톱날은 빠질 수 있으며, 이로 인해 작업자가 상해를 입을 수 있습니다.

특정한 작업 진행을 위해 톱날 (1) 을 (톱니가 위쪽을 향하도록) 180° 돌린 후 다시 사용할 수도 있습니다.

톱날 분리하기(그림 B 참조)

- ▶ **분리하기 전에 톱날의 열을 식히십시오.** 뜨거운 톱날에 닿게 되면 상해 위험이 있습니다.

고정 슬리브 (3) 를 약 90° 정도 화살표 방향으로 돌린 후 꼭 잡으십시오. 톱날 (1) 을 분리하십시오.

분진 및 톱밥 추출장치

납 성분을 포함한 페인트나 몇몇 나무 종류, 또는 광물 성분 그리고 철과 같은 재료의 분진은 건강을 해칠 수 있습니다. 이 분진을 만지거나 호흡할 경우, 사용자나 주변 사람들은 알레르기 반응이나 호흡기 장애를 일으킬 수 있습니다.

떡갈나무나 너도밤나무와 같은 특정한 분진은 암을 유발시키며, 특히 목재 처리용으로 사용되는 부가 원료(크로마트, 목재 보호제)와 혼합되면 암을 유발

시키게 됩니다. 석면 성분을 포함한 재료는 오직 전문가가 작업을 해야 합니다.

- 작업장의 통풍이 잘 되도록 하십시오.
- 필터등급 P2에 해당되는 호흡 마스크를 사용하십시오.

작업용 재료에 관해 국가가 지정한 규정을 고려하십시오.

- ▶ **작업장에 분진이 쌓이지 않도록 하십시오.** 분진이 쉽게 발화할 수 있습니다.

작동

기계 시동

전원 켜기/끄기(그림 C 참조)

전동공구의 전원을 켜려면 먼저 시동 안전 잠금장치 (5) 를 좌측으로 누르십시오. 전원 스위치 (6) 를 누르고 누른 상태를 유지하십시오.

전원 스위치 (6) 를 약간 또는 끝까지 누르면 작업 램프가 점등되기 때문에 조명 상태가 안 좋을 경우 작업 영역을 비출 수 있습니다.

전동공구의 전원을 끄려면 전원 스위치 (6) 에서 손을 떼십시오. 그리고 나서 시동 안전 잠금장치 (5) 를 다시 우측으로 누르십시오.

스트로크 수 조절하기

전원 스위치 (6) 를 밀어 이동시키는 만큼 전원이 켜진 전동공구의 스트로크 수를 조절할 수 있습니다.

전원 스위치 (6) 를 약간만 밀면 스트로크 수가 낮아집니다. 세게 누르면 스트로크 수가 높아집니다. 작업 소재와 작업 조건에 따라 필요로 하는 스트로크 수가 달라지므로 실제 시험을 통해 결정할 수 있습니다.

톱날을 작업물에 대거나 플라스틱과 알루미늄에 톱 작업을 할 때 스트로크 수를 줄이는 것이 좋습니다. 낮은 속도로 장시간 작업할 경우 전동공구가 과열될 수 있습니다. 이 경우 톱날을 빼고 전동공구를 식히기 위해 최대 속도로 약 3 분간 작동시켜 주십시오.

사용 방법

- ▶ **전동공구에 각종 작업(보수 정비 및 액세서리 교환 등)을 하거나 전동공구를 운반하거나 보관할 경우 배터리를 전동공구에서 빼십시오.** 실수로 전원 스위치가 작동하게 되면 상해를 입을 위험이 있습니다.

- ▶ **톱날이 돌리면 즉시 전동공구 스위치를 끄십시오.**

참고

- ▶ **연질의 건축 자재에 톱질작업을 할 경우 법정 규정에 따르면 소재 제조사의 추천 내용을 준수하십시오.**

목재, 칩보드, 건축 자재 등에서 작업하기 전에 못, 나사와 같은 이물질이 없는지 확인한 후 적합한 톱날을 사용하십시오.

전동공구의 스위치를 켜고 작업하려는 작업물에 접근하십시오. 밀판 (2) 을 작업물 표면에 가져온 후

균일한 압력 또는 이송 속도로 자재를 절단하십시오. 작업을 마치고 나서 전동공구의 스위치를 끄십시오.

톱날이 물러 움직이지 않을 경우 곧바로 전동공구의 스위치를 끄십시오. 적합한 공구를 사용하여 톱날이 끼인 틈새를 약간 벌린 후 전동공구를 빼냅니다.

플런지 쏘(그림 D 참조)

▶ **목재, 석고보드와 같은 연질 소재의 경우에만 플런지 절단 방식으로 가공할 수 있습니다! 금속 소재에는 플런지 절단 방식으로 작업해서는 안 됩니다!**

플런지 절단 작업 시에는 짧은 톱날만 사용하십시오.

전동공구를 밀판 (2) 의 가장자리와 함께 작업물에 설치하십시오. 이때 톱날 (1) 이 작업물을 건드리지 않게 유의하고, 전동공구의 전원을 켜십시오. 스트로크 수 제어장치가 있는 전동공구의 경우 최대 값으로 선택하십시오. 전동공구를 작업물에 대고 누르고 톱날을 천천히 작업물 안으로 들어가게 합니다. 밀판 (2) 이 작업물의 전체 표면에 닿으면, 원하는 절단선을 따라 절단 작업을 진행합니다.

특정한 작업을 진행하기 위해 톱날 (1) 을 180° 돌린 후 전동공구를 이에 맞춰 돌려 끼울 수도 있습니다.

플러시 절단 작업(그림 E 참조)

신축성이 있는 바이메탈 톱날을 이용하여 벽 바로 옆에 있는 수배관 등의 돌출된 건축 자재를 잘라낼 수 있습니다.

▶ **톱날은 항상 작업을 직경보다 길어야 합니다. 반동이 발생할 수 있습니다.**

톱날을 벽 바로 옆에 대고 밀판이 벽에 닿을 때까지 전동공구에 가로 압력을 가하여 약간 휘게 합니다. 전동공구의 스위치를 켜고 일정한 가로 압력을 가하며 작업물을 절단하십시오.

냉각제/윤활제

금속에 톱질 작업을 할 때 작업물이 과열되기 때문에 절단선을 따라 냉각제나 윤활제를 발라 주어야 합니다.

보수 정비 및 서비스

보수 정비 및 유지

▶ **전동공구에 각종 작업(보수 정비 및 액세서리 교환 등)을 하거나 전동공구를 운반하거나 보관할 경우 배터리를 전동공구에서 빼십시오.** 실수로 전원 스위치가 작동하게 되면 상해를 입을 위험이 있습니다.

▶ **안전하고 올바른 작동을 위하여 전동공구와 전동공구의 통풍구를 항상 깨끗이 하십시오.**

특히 부드러운 붓을 이용해 톱날 홀더를 닦아주십시오. 이때 톱날을 전동공구에서 빼내십시오. 톱날 홀더는 적절한 윤활제를 사용하여 그 기능을 유지해 주십시오.

전동공구가 지나치게 오염되어 있으면 기능 장애가 생길 수 있습니다. 따라서 분진이 많이 배출되는 소

재는 아래쪽 또는 머리 위쪽에서 작업하지 마십시오.

AS 센터 및 사용 문의

AS 센터에서는 귀하 제품의 수리 및 보수정비, 그리고 부품에 관한 문의를 받고 있습니다. 대체 부품에 관한 분해 조립도 및 정보는 인터넷에서도 찾아볼 수 있습니다 - www.bosch-pt.com

보수 사용 문의 팀에서는 보수의 제품 및 해당 액세서리에 관한 질문에 기꺼이 답변 드릴 것입니다.

문의나 대체 부품 주문 시에는 반드시 제품 내임 플레이트에 있는 10자리의 부품번호를 알려 주십시오.

콜센터
080-955-0909

다른 AS 센터 주소는 아래 사이트에서 확인할 수 있습니다:

www.bosch-pt.com/serviceaddresses

운반

권장하는 리튬이온 배터리는 위험물 관련 규정을 따릅니다. 배터리는 별도의 요구 사항 없이 사용자가 직접 도로 상에서 운반할 수 있습니다.

제3자를 통해 운반할 경우(항공 운송이나 운송 회사 등) 포장과 표기에 관한 특별한 요구 사항을 준수해야 합니다. 이 경우 발송 준비를 위해 위험물 전문가와 상담해야 합니다.

표면이 손상되지 않은 배터리만 사용하십시오. 배터리의 접촉 단자면을 덮어 불인 상태로 내부에서 움직이지 않도록 배터리를 포장하십시오. 또한 이와 관련한 국내 규정을 준수하십시오.

처리



전동공구, 배터리, 액세서리 및 포장은 환경 친화적인 방법으로 재생할 수 있도록 분류하십시오.



전동공구와 충전용 배터리/배터리를 가정용 쓰레기로 처리하지 마십시오!

충전용 배터리/배터리:

리튬이온:

운반 단락에 나와 있는 지침을 참고하십시오 (참조 „운반“, 페이지 24).

ไทย

คำเตือนเพื่อความปลอดภัย

คำเตือนเพื่อความปลอดภัยทั่วไปสำหรับเครื่องมือไฟฟ้า

⚠ คำเตือน อ่านคำเตือนเพื่อความปลอดภัย คำแนะนำ ภาพประกอบ และข้อมูล

จำเพาะทั้งหมดที่จัดส่งมาพร้อมกับเครื่องมือไฟฟ้า

การไม่ปฏิบัติตามคำแนะนำทั้งหมดที่ระบุไว้ด้านล่างนี้อาจทำให้ถูกไฟฟ้าดูด เกิดไฟไหม้ และ/หรือได้รับบาดเจ็บอย่างร้ายแรง

เก็บรักษาคำเตือนและคำสั่งทั้งหมดสำหรับเปิดอ่านในภายหลัง

คำว่า "เครื่องมือไฟฟ้า" ในคำเตือนหมายถึง เครื่องมือไฟฟ้าของท่านที่ทำงานด้วยพลังงานไฟฟ้าจากแหล่งจ่ายไฟหลัก (มีสายไฟฟ้า) และเครื่องมือไฟฟ้าที่ทำงานด้วยพลังงานไฟฟ้าจากแบตเตอรี่ (ไร้สาย)

ความปลอดภัยในสถานที่ทำงาน

- ▶ **รักษาสถานที่ทำงานให้สะอาดและมีไฟส่องสว่างดี** สถานที่ที่มีมืดหรือรกรุงรังนำมาซึ่งอุบัติเหตุ
- ▶ **อย่าใช้เครื่องมือไฟฟ้าทำงานในสภาพบรรยากาศที่จุดติดไฟได้ เช่น ในที่มีมีของเหลวไวไฟ ก๊าซ หรือฝุ่น** เมื่อใช้เครื่องมือไฟฟ้าจะเกิดประกายไฟซึ่งอาจจุดฝุ่นหรือไอให้ลุกเป็นไฟได้
- ▶ **ขณะใช้เครื่องมือไฟฟ้าทำงาน ต้องกันเด็กและผู้ยี่นดูให้ออกห่าง** การหันเหความสนใจอาจทำให้ท่านขาดการควบคุมเครื่องมือได้

ความปลอดภัยเกี่ยวกับไฟฟ้า

- ▶ **ปลั๊กของเครื่องมือไฟฟ้าต้องเหมาะสมพอดีกับเต้าเสียบ** อย่าตัดแปลงปลั๊กไม่ว่าในลักษณะใดๆ อย่างเด็ดขาด อย่าใช้ปลั๊กพ่วงต่อใดๆ กับเครื่องมือไฟฟ้าที่มีสายดิน ปลั๊กที่ไม่ตัดแปลงและเต้าเสียบที่เข้ากันช่วยลดความเสี่ยงจากการถูกไฟฟ้าดูด
- ▶ **หลีกเลี่ยงอย่าให้ร่างกายสัมผัสกับพื้นผิวที่ต่อสายดินหรือลงกราวด์ไว้ เช่น ท่อ เครื่องทำความร้อน เตา และตู้เย็น** จะเสี่ยงอันตรายจากการถูกไฟฟ้าดูดมากขึ้นหากกระแสไฟฟ้าวิ่งผ่านร่างกายของท่านลงดิน

- ▶ **อย่าให้เครื่องมือไฟฟ้าถูกฝนหรืออยู่ในสภาพเปียกชื้น** หากน้ำเข้าในเครื่องมือไฟฟ้า จะเพิ่มความเสี่ยงจากการถูกไฟฟ้าดูด
- ▶ **อย่าใช้สายไฟฟ้าในทางที่ผิด** อย่าใช้สายไฟฟ้าเพื่อยก ดึง หรือถอดปลั๊กเครื่องมือไฟฟ้า กั้นสายไฟฟ้าออกจากความร้อน น้ำมัน ขอบแหลมคม หรือชิ้นส่วนที่เคลื่อนที่ สายไฟฟ้าที่ชำรุดหรือพันกันยุ่งเพิ่มความเสี่ยงจากการถูกไฟฟ้าดูด
- ▶ **เมื่อใช้เครื่องมือไฟฟ้าทำงานกลางแจ้ง ให้ใช้สายไฟต่อที่เหมาะสมสำหรับการใช้งานกลางแจ้ง** การใช้สายไฟต่อที่เหมาะสมสำหรับงานกลางแจ้งช่วยลดอันตรายจากการถูกไฟฟ้าดูด
- ▶ **หากไม่สามารถหลีกเลี่ยงการใช้เครื่องมือไฟฟ้าทำงานในสถานที่เปียกชื้นได้ ให้ใช้สวิตช์ตัดวงจรเมื่อเกิดการรั่วไหลของไฟฟ้าจากสายดิน (RCD)** การใช้สวิตช์ตัดวงจรเมื่อเกิดการรั่วไหลของไฟฟ้าจากสายดินช่วยลดความเสี่ยงต่อการถูกไฟฟ้าดูด

ความปลอดภัยของบุคคล

- ▶ **ท่านต้องอยู่ในสภาพเตรียมพร้อม ระมัดระวังในสิ่งที่ท่านกำลังทำอยู่ และมีสติขณะใช้เครื่องมือไฟฟ้าทำงาน** อย่าใช้เครื่องมือไฟฟ้าขณะที่ท่านกำลังเหนื่อย หรืออยู่ภายใต้การครอบงำของฤทธิ์ของยาเสพติด แอลกอฮอล์ และยา เมื่อใช้เครื่องมือไฟฟ้าทำงานในช่วงเวลาที่ท่านขาดความเอาใจใส่อาจทำให้บุคคลบาดเจ็บอย่างรุนแรงได้
- ▶ **ใช้อุปกรณ์ปกป้องร่างกาย สวมแว่นตาป้องกันเสมอ** อุปกรณ์ปกป้อง เช่น หนวดกนกกันฝุ่น รองเท้ากันลื่น หมวกแข็ง หรือประคบทุกชิ้นเสี่ยงดังที่ใช้อย่างเหมาะสมกับสภาพการทำงาน จะลดการบาดเจ็บทางร่างกาย
- ▶ **ป้องกันการติดเครื่องโดยไม่ตั้งใจ ตรวจสอบให้แน่ใจว่าสวิตช์อยู่ในตำแหน่งปิดก่อนเชื่อมต่อเข้ากับแหล่งจ่ายไฟ และ/หรือแบตเตอรี่แพ็ค ยกหรือถือเครื่องมือการถือเครื่องโดยใช้นิ้วหัวที่สวิตช์ หรือเสียบปลั๊กไฟฟ้าขณะสวิตช์เปิดอยู่ อาจนำไปสู่อุบัติเหตุที่ร้ายแรงได้**
- ▶ **นำเครื่องมือปรับแต่งหรือประแจปากตายออกก่อนเปิดสวิตช์เครื่องมือไฟฟ้า** เครื่องมือหรือประแจปากตายที่วางอยู่กับส่วนของเครื่องที่กำลังหมุนจะทำให้บุคคลบาดเจ็บได้
- ▶ **อย่าเอื้อมไกลเกินไป** ตั้งทำขึ้นที่มั่นคงและวางน้ำหนักให้สมดุลตลอดเวลา ในลักษณะนี้ท่านสามารถควบคุมเครื่องมือไฟฟ้าในสถานการณ์ที่ไม่คาดคิดได้ดีกว่า
- ▶ **แต่งกายอย่างเหมาะสม** อย่าใส่เสื้อผ้าหลวมหรือสวมเครื่องประดับ เหน็บและเสื้อผ้าออกห่างจากชิ้นส่วนที่

เคลื่อนที่ เลื่อนผ้าหวม เครื่องประดับ และผม ยาวอาจเข้าไปติดในชิ้นส่วนที่เคลื่อนที่

- ▶ หากเครื่องมือไฟฟ้ามีข้อเชื่อมต่อกับเครื่องดูดฝุ่นหรือเครื่องเก็บผง ให้ตรวจสอบให้แน่ใจว่าได้เชื่อมต่อและใช้งานอย่างถูกต้อง การใช้อุปกรณ์ดูดฝุ่นช่วยลดอันตรายที่เกิดจากฝุ่นได้
- ▶ เมื่อใช้งานเครื่องบ่อยครั้งจะเกิดความคุ้นเคย อย่าให้ความคุ้นเคยทำให้ท่านเกิดความชะล่าใจและละเลยกฎเกณฑ์ด้านความปลอดภัยในการใช้งานเครื่อง การทำงานอย่างไม่ระมัดระวังอาจทำให้เกิดการบาดเจ็บอย่างร้ายแรงภายในเสี้ยววินาที

การใช้และการดูแลรักษาเครื่องมือไฟฟ้า

- ▶ อย่างสม่ำเสมอเครื่องมือไฟฟ้า ใช้เครื่องมือไฟฟ้าที่ถูกต้องตรงตามลักษณะงานของท่าน เครื่องมือไฟฟ้าที่ถูกต้องจะทำงานได้ดีกว่าและปลอดภัยกว่าในระดับสมรรถภาพที่ออกแบบไว้
- ▶ อย่าใช้เครื่องมือไฟฟ้าถ้าสวิตช์ไม่สามารถเปิดปิดได้ เครื่องมือไฟฟ้าที่ไม่สามารถควบคุมการเปิดปิดด้วยสวิตช์ได้ เป็นเครื่องมือไฟฟ้าที่ไม่ปลอดภัยและต้องส่งซ่อมแซม
- ▶ ก่อนปรับแต่งเครื่อง เปลี่ยนอุปกรณ์ประกอบ หรือเก็บเครื่องเข้าที่ ต้องถอดปลั๊กออกจากแหล่งจ่ายไฟ และ/หรือถอดแบตเตอรี่แพ็คเกจออกจากเครื่องมือไฟฟ้าหากถอดออกได้ มาตรการป้องกันเพื่อความปลอดภัยนี้ช่วยลดความเสี่ยงจากการติดเครื่องโดยไม่ตั้งใจ
- ▶ เมื่อเลิกใช้งานเครื่องมือไฟฟ้า ให้เก็บเครื่องไว้ในที่ที่เด็กหยิบไม่ถึง และไม่อนุญาตให้บุคคลที่ไม่คุ้นเคยกับเครื่องหรือบุคคลที่ไม่ได้อ่านคำแนะนำเหล่านี้ใช้เครื่องมือไฟฟ้าเป็นของอันตรายหากตกอยู่ในมือของผู้ใช้ที่ไม่ได้รับการฝึกฝน
- ▶ บำรุงรักษาเครื่องมือไฟฟ้าและอุปกรณ์ประกอบ ตรวจสอบชิ้นส่วนที่เคลื่อนที่ว่าวางไม่ตรงแนวหรือติดขัดหรือไม่ ตรวจสอบการแตกหักของชิ้นส่วนและสภาพอื่นใดที่อาจมีผลต่อการทำงานของเครื่องมือไฟฟ้า หากชำรุดต้องส่งเครื่องมือไฟฟ้าไปซ่อมแซมก่อนใช้งาน อุบัติเหตุหลายอย่างเกิดขึ้นเนื่องจากดูแลรักษาเครื่องไม่ดีพอ
- ▶ รักษาเครื่องมือตัด ให้คมและสะอาด หากบำรุงรักษาเครื่องมือที่มีขอบตัดแหลมคมอย่างถูกต้อง จะสามารถตัดได้ลื่นไม่ติดขัดและควบคุมได้ง่ายกว่า
- ▶ ใช้เครื่องมือไฟฟ้า อุปกรณ์ประกอบ เครื่องมือ และอุปกรณ์อื่น ๆ ตรงตามคำแนะนำเหล่านี้ โดยคำนึงถึงเงื่อนไขการทำงานและงานที่จะทำ การใช้เครื่อง

มือไฟฟ้าทำงานที่ต่างไปจากวัตถุประสงค์การใช้งานของเครื่อง อาจนำไปสู่สถานการณ์ที่เป็นอันตรายได้

- ▶ ดูแลคัมจับและพื้นผิวจับให้แห้ง สะอาด และปราศจากคราบน้ำมันและจาระบี คัมจับและพื้นผิวจับที่ลื่นทำให้หยิบจับได้ไม่ปลอดภัย และไม่สามารถควบคุมเครื่องมือในสถานการณ์ที่ไม่คาดคิด

การใช้และการดูแลรักษาเครื่องที่ใช้แบตเตอรี่

- ▶ ชาร์จไฟใหม่ด้วยเครื่องชาร์จที่บริษัทผู้ผลิตระบุไว้เท่านั้น เครื่องชาร์จที่เหมาะสมสำหรับชาร์จแบตเตอรี่แพ็คเกจหนึ่ง หากนำไปชาร์จแบตเตอรี่แพ็คเกจอื่น อาจเกิดไฟไหม้ได้
 - ▶ ใช้เครื่องมือไฟฟ้าเฉพาะกับแบตเตอรี่แพ็คเกจที่กำหนดไว้เท่านั้น การใช้แบตเตอรี่แพ็คเกจอื่นเสี่ยงต่อการเกิดไฟไหม้หรือบาดเจ็บ
 - ▶ เมื่อไม่ใช้งานแบตเตอรี่แพ็คเกจ ให้เก็บไว้ห่างวัตถุที่เป็นโลหะอื่นๆ เช่น คลิปหนีบกระดาษ เหรียญ กุญแจ ตะปู สกรู หรือวัตถุที่เป็นโลหะขนาดเล็กอื่นๆ ที่สามารถเชื่อมต่อขั้วหนึ่งไปยังอีกขั้วหนึ่งได้ การลัดวงจรของขั้วแบตเตอรี่อาจทำให้เกิดการไหม้หรือไฟลุกได้
 - ▶ หากใช้แบตเตอรี่อย่างอาจมีขงเหลวไหลออกมาจากแบตเตอรี่ได้ ให้หลีกเลี่ยงการสัมผัส หากสัมผัสโดยบังเอิญ ให้ใช้น้ำล้าง หากขงเหลวเข้าตา ให้ขอความช่วยเหลือจากแพทย์ด้วย ขงเหลวที่ไหลออกมาจากแบตเตอรี่อาจทำให้เกิดอาการคันหรือแสบผิวหนังได้
 - ▶ อย่าใช้แบตเตอรี่แพ็คเกจหรือเครื่องมือที่ชำรุดหรือดัดแปลง แบตเตอรี่ที่ชำรุดหรือดัดแปลงอาจแสดงอาการที่ไม่สามารถคาดเดาได้ ส่งผลให้เกิดไฟไหม้ ระเบิด หรือความเสี่ยงต่อการได้รับบาดเจ็บ
 - ▶ อย่าให้แบตเตอรี่แพ็คเกจหรือเครื่องมือสัมผัสไฟหรืออุณหภูมิที่สูงเกินไป หากสัมผัสไฟหรืออุณหภูมิที่สูงกว่า 130 °C อาจทำให้เกิดการระเบิดได้
 - ▶ ปฏิบัติตามคำแนะนำเกี่ยวกับการชาร์จทั้งหมด และต้องไม่ชาร์จแบตเตอรี่แพ็คเกจหรือเครื่องมือ นอกช่วงอุณหภูมิที่กำหนดในคำแนะนำ การชาร์จแบตเตอรี่อย่างไม่ถูกวิธีหรือนอกช่วงอุณหภูมิที่กำหนด อาจทำให้แบตเตอรี่เสียหายและเพิ่มความเสี่ยงต่อการเกิดไฟไหม้
- #### การบริการ
- ▶ ส่งเครื่องมือไฟฟ้าของท่านเข้ารับบริการจากช่างซ่อมที่มีคุณสมบัติเหมาะสม โดยใช้อะไหล่ที่เหมือน

กันเท่านั้น ในลักษณะนี้ท่านจะแน่ใจได้ว่าเครื่อง
มือไฟฟ้าอยู่ในสภาพที่ปลอดภัย

- ▶ **อย่าบำรุงรักษาแบตเตอรี่ที่ชาร์จอย่างเด็ดขาด**
ต้องส่งให้บริษัทผู้ผลิตหรือศูนย์บริการที่ได้
รับอนุญาตทำการบำรุงรักษาแบตเตอรี่ที่แพคเกจนั้น

คำเตือนเพื่อความ

ปลอดภัยสำหรับเลื่อยถยนต์ประสมค์

- ▶ **เมื่อทำงานในบริเวณที่อุปกรณ์ตัดอาจสัมผัสสายไฟฟ้าที่**
ซ่อนอยู่ ต้องจับเครื่องมือไฟฟ้าตรงพื้นที่จับที่หุ้มฉนวน
หากอุปกรณ์ตัดสัมผัสสายที่ “มีกระแสไฟฟ้า” ไหลผ่าน จะ
ทำให้ชิ้นส่วนโลหะที่ไม่ได้หุ้มฉนวนของเครื่องมือไฟฟ้าเกิด
“มีกระแสไฟฟ้า” ด้วย และส่งผลให้ผู้ใช้งานเครื่องถูก
ไฟฟ้าดูดได้
- ▶ **ใช้เครื่องมือหนีบหรือวิธีอื่นที่ได้ผลเพื่อยึดและหมุนชิ้นงาน**
กับแท่นที่มั่นคง การจับชิ้นงานด้วยมือหรือยื่นไว้กับ
ร่างกายจะไม่มั่นคง และอาจทำให้สูญเสียการควบคุมได้
- ▶ **เอามือออกจากบริเวณแนวเลื่อย อย่าเอื้อมมือเข้า**
ได้ชิ้นงาน การสัมผัสกับใบเลื่อยจะทำให้บาดเจ็บได้
- ▶ **จับเครื่องมือไฟฟ้าให้แน่นด้วยมือทั้งสองข้างและตั้งท่า**
ยืนให้มั่นคงขณะทำงาน ท่านจะสามารถนำทางเครื่องมือ
ไฟฟ้าได้ปลอดภัยกว่าเมื่อจับเครื่องด้วยมือทั้งสองข้าง
- ▶ **จับเครื่องมือไฟฟ้าเข้าหาชิ้นงานเมื่อเครื่องเปิดสวิตซ์**
หรืออยู่เท่านั้น มิฉะนั้นอาจได้รับอันตรายจากการตี
กลับหากเครื่องมือตัดติดขัดอยู่ในชิ้นงาน
- ▶ **ตรวจสอบให้แน่ใจว่าขณะเลื่อยได้วางแผ่นฐานไว้ชิดกับ**
ชิ้นงานเสมอ ใบเลื่อยอาจติดขัดและทำให้สูญเสียการ
ควบคุมเครื่องมือไฟฟ้า
- ▶ **เมื่อเสร็จสิ้นการทำงาน ให้เปิดสวิตซ์เครื่องมือไฟฟ้า**
และดึงใบเลื่อยออกจากร่องตัดเมื่อใบเลื่อยหยุด
นิ่งอยู่กับที่แล้วเท่านั้น ในลักษณะนี้ท่านสามารถหลีกเลี่ยง
การตีกลับ และวางเครื่องลงได้อย่างปลอดภัย
- ▶ **รอให้เครื่องมือไฟฟ้าหยุดสนิทก่อนวางเครื่องลงบนพื้น**
เครื่องมือที่ปล่อยอาจติดขัดและทำให้สูญเสียการ
ควบคุมเครื่องมือไฟฟ้า
- ▶ **ใช้เฉพาะ ใบเลื่อยที่ไม่ชำรุดและมีสภาพที่สมบูรณ์เท่านั้น**
ใบเลื่อยที่ทื่อหรือบิดงอสามารถแตกหัก ส่งผลเชิง
ลบต่อการตัด หรือทำให้เกิดการตีกลับได้
- ▶ **หลังปิดสวิตซ์ อย่าเบรกใบเลื่อยให้หยุดวิ่งโดยการกด**
ลงด้านข้าง ใบเลื่อยอาจชำรุด แตกหัก หรือทำให้เกิด
การตีกลับได้
- ▶ **ยึดหนีบวัสดุให้แน่น อย่าใช้มือหรือเท้าของท่านพยุงชิ้น**
งานไว้ อย่าให้เครื่องเลื่อยที่กำลังทำงานสัมผัสวัสดุหรือ
พื้น อันตรายจากการตีกลับ

- ▶ **ใช้เครื่องตรวจจับที่เหมาะสมเพื่อตรวจสอบหาสายไฟฟ้า**
หรือท่อสาธารณูปโภคที่อาจซ่อนอยู่ในบริเวณทำงาน
หรือติดต่อบริษัทสาธารณูปโภคในพื้นที่เพื่อขอความ
ช่วยเหลือ การสัมผัสกับสายไฟฟ้าอาจทำให้เกิดไฟ
ไหม้หรือถูกไฟฟ้าดูด การทำให้ท่อแก๊ซเสียหายอาจ
ทำให้เกิดระเบิด การเจาะเข้าไปในท่อน้ำ ทำให้ทรัพย์สินเสียหาย

- ▶ **เมื่อแบตเตอรี่ชำรุดและนำไปใช้งานอย่างไม่ถูกต้อง**
อาจมีไอระเหยออกมาได้ แบตเตอรี่อาจเผาไหม้หรือ
ระเบิดได้ให้สูดอากาศบริสุทธิ์และไปพบแพทย์ในกรณีเจ็บ
ปวด ไอระเหยอาจทำให้ระบบหายใจระคายเคือง

- ▶ **อย่าเปิดแบตเตอรี่** อันตรายจากการลัดวงจร

- ▶ **วัตถุที่แหลมคม ต. ย. เช่น ตะปูหรือไขควง หรือแรง**
กระทำภายนอก อาจทำให้แบตเตอรี่เสียหายได้ สิ่งเหล่านี้
นี้อาจทำให้เกิดการลัดวงจรภายในและแบตเตอรี่ใหม่ มี
ควัน ระเบิด หรือร้อนเกินไป

- ▶ **ใช้แบตเตอรี่ที่แพคเกจเฉพาะ ในผลิตภัณฑ์ของผู้ผลิตเท่านั้น**
ในลักษณะนี้ แบตเตอรี่ที่แพคเกจได้รับการปกป้องจากการใช้
งานเกินกำลังซึ่งเป็นอันตราย



ปกป้องแบตเตอรี่จากความร้อน รวมทั้ง ต. ย.
เช่น จากการถูกแสงแดดส่องต่อเนื่อง จากไฟ
ลิ่งสปริง น้ำ และความชื้น อันตรายจากการ
ระเบิดและการลัดวงจร

รายละเอียดผลิตภัณฑ์และข้อมูล

จำเพาะ



อ่านคำเตือนเพื่อความปลอดภัยและคำ
แนะนำทั้งหมด การไม่ปฏิบัติตามคำเตือนและ
คำสั่งอาจเป็นสาเหตุใหญ่ถูกไฟฟ้าดูด เกิดไฟไหม้
และ/หรือได้รับบาดเจ็บอย่างร้ายแรง

กรุณาดูภาพประกอบในส่วนหน้าของคู่มือการใช้งาน

ประโยชน์การใช้งานของเครื่อง

เครื่องนี้ใช้สำหรับเลื่อยไม้ พลาสติก โลหะ และวัสดุก่อสร้าง
ในขณะที่วางอยู่บนชิ้นงานอย่างแนบหนา เครื่อง
นี้เหมาะสำหรับตัดแนวตรงและตัดโค้ง เมื่อใช้ใบเลื่อยที่ทำ
จากแผ่นโลหะคู่ (bimetal) ที่เหมาะสม จะสามารถตัดออก
ได้เรียบเสมอพื้นผิวชิ้นงาน อ่านและปฏิบัติตามข้อแนะนำเกี่ยวกับใบเลื่อย

ส่วนประกอบที่แสดงภาพ

ลำดับเลขของส่วนประกอบผลิตภัณฑ์อ้างอิงถึงส่วน
ประกอบของเครื่องที่แสดงในหน้าภาพประกอบ

- (1) ใบเลื่อย³⁾

- (2) แผ่นฐาน
- (3) ปลอกถือคสำหรับใบเลื่อย
- (4) แบตเตอรี่แพ็ค^{a)}
- (5) ปุ่มล็อคไม่ให้สวิตช์เปิด-ปิดทำงาน
- (6) สวิตช์เปิด-ปิด
- (7) โฟล่องบริเวณทำงาน
- (8) แป้นปลดล็อกแบตเตอรี่^{a)}
- (9) ด้ามจับ (พื้นผิวจับหุ้มฉนวน)
- (10) ตัวจับใบเลื่อย

- a) อุปกรณ์ประกอบที่แสดงภาพหรืออธิบายไม่รวมอยู่ในการจัดส่งมาตรฐาน
กรุณาดูอุปกรณ์ประกอบทั้งหมดในรายการแสดงอุปกรณ์ประกอบของเรา

ข้อมูลทางเทคนิค

เลื่อยอเนกประสงค์	GSA 18 V-LI C	
หมายเลขสินค้า		3 601 FA5 0..
แรงดันไฟฟ้าฟิสิกส์	V=	18
อัตราชักเขี้ยวเดินตัวเปล่า n ₀ ^{A)}	min ⁻¹	0-3050
ด้ามจับเครื่องมือ		SDS
ระยะช่วงชัก	มม.	21
ความลึกการตัด สูงสุด		
- ในไม้	มม.	200
- ในเหล็กกล้า (ไม่เจือ)	มม.	16
- เส้นผ่าศูนย์กลางท่อ	มม.	100
น้ำหนักตามระเบียบการ EPTA-Procedure 01:2014	กก.	2,3-3,3 ^{B)}
อุณหภูมิโดยรอบที่แนะนำเมื่อชาร์จ	°C	0... +35
อุณหภูมิโดยรอบที่อนุญาตเมื่อใช้งาน ^{C)} และระหว่างการเก็บรักษา	°C	-20 ... +50
แบตเตอรี่ที่แนะนำ		GBA 18V... ProCORE18V...

เลื่อยอเนกประสงค์

GSA 18 V-LI C

เครื่องชาร์จที่แนะนำ		GAL 18...
		GAX 18...
		GAL 36...

- A) ดำเนินการวัด ณ อุณหภูมิ 20-25 °C พร้อมแบตเตอรี่ GBA 18V 4.0Ah
- B) ขึ้นอยู่กับแบตเตอรี่แพ็คที่ใช้
- C) สมรรถภาพจะน้อยลงที่อุณหภูมิ <0 °C

แบตเตอรี่

การชาร์จแบตเตอรี่

- ใช้เฉพาะเครื่องชาร์จแบตเตอรี่ที่ระบุในข้อมูลทางเทคนิคเท่านั้น เฉพาะเครื่องชาร์จแบตเตอรี่เหล่านี้ที่เท่านั้นที่เข้าชุดกับแบตเตอรี่ลิเธียม ไอออน ของเครื่องมือไฟฟ้าของท่าน

หมายเหตุ: แบตเตอรี่ลิเธียมไอออนถูกจัดตั้งโดยมีการชาร์จไฟบางส่วนตามระเบียบของบังคับด้านการขนส่งระหว่างประเทศ เพื่อให้แน่ใจว่าแบตเตอรี่จะทำงานได้อย่างสมบูรณ์แบบ ก่อนใช้งานครั้งแรกให้ชาร์จแบตเตอรี่จนเต็ม

การใส่แบตเตอรี่

ใส่แบตเตอรี่ที่ชาร์จแล้วเข้าไปในด้ามจับจนรู้สึกเข้าล็อค

การถอดแบตเตอรี่

เมื่อต้องการถอดแบตเตอรี่แพ็คออก ให้กดแป้นปลดล็อคแบตเตอรี่และดึงแบตเตอรี่แพ็คออกจากเครื่องมือไฟฟ้าอย่าใช้กำลังดึง

แบตเตอรี่แพ็คมีการล็อก 2 ระดับเพื่อป้องกันไม่ให้แบตเตอรี่แพ็คร่วงหล่นออกมาหากกดแป้นปลดล็อคแบตเตอรี่โดยไม่ตั้งใจ เมื่อแบตเตอรี่ถูกบรรจุอยู่ในเครื่องมือไฟฟ้า สปริงจะยึดแบตเตอรี่ให้เข้าตำแหน่ง

ไฟแสดงสถานะการชาร์จแบตเตอรี่

ไฟ LED สีเขียวของการแสดงสถานะการชาร์จแบตเตอรี่แสดงสถานะการชาร์จของแบตเตอรี่ ด้วยเหตุผลด้านความปลอดภัยท่านสามารถตรวจสอบสถานะการชาร์จเฉพาะเมื่อเครื่องมือไฟฟ้าหยุดสนิทเท่านั้น

กดปุ่มสำหรับไฟแสดงสถานะการชาร์จแบตเตอรี่ ☺ หรือ ☹ เพื่อแสดงสถานะการชาร์จ ท่านสามารถกดได้แม้เมื่อได้ถอดแบตเตอรี่ออกแล้ว

หลังจากกดปุ่มสำหรับไฟแสดงสถานะการชาร์จแบตเตอรี่แล้วไฟ LED ไม่ติดขึ้น แสดงว่าแบตเตอรี่บกพร่องและต้องเปลี่ยนใหม่

แบตเตอรี่ชนิด GBA 18V...

LED	ความจุ
ไฟส่องสว่างต่อเนื่อง 3× สีเขียว	60–100 %
ไฟส่องสว่างต่อเนื่อง 2× สีเขียว	30–60 %
ไฟส่องสว่างต่อเนื่อง 1× สีเขียว	5–30 %
ไฟกะพริบ 1× สีเขียว	0–5 %

แบตเตอรี่ชนิด ProCORE18V...

LED	ความจุ
ไฟส่องสว่างต่อเนื่อง 5× สีเขียว	80–100 %
ไฟส่องสว่างต่อเนื่อง 4× สีเขียว	60–80 %
ไฟส่องสว่างต่อเนื่อง 3× สีเขียว	40–60 %
ไฟส่องสว่างต่อเนื่อง 2× สีเขียว	20–40 %
ไฟส่องสว่างต่อเนื่อง 1× สีเขียว	5–20 %
ไฟกะพริบ 1× สีเขียว	0–5 %

ข้อแนะนำในการปฏิบัติต่อแบตเตอรี่อย่างเหมาะสมที่สุด

ปกป้องแบตเตอรี่จากความชื้นและน้ำ

เก็บรักษาแบตเตอรี่แพ็คในช่วงอุณหภูมิ -20°C ถึง 50°C เท่านั้น อย่าปล่อยให้วางแบตเตอรี่แพ็คไว้ในรถยนต์ในช่วงฤดูร้อน

ทำความสะอาดช่องระบายอากาศเป็นครั้งคราวโดยใช้แปรงขนอ่อนที่แห้งและสะอาด หลังจากชาร์จแบตเตอรี่แล้ว หากแบตเตอรี่แพ็คมีช่วงเวลาทำงานสั้นมาก แสดงว่าแบตเตอรี่แพ็คเสื่อมและต้องเปลี่ยนใหม่

อ่านและปฏิบัติตามข้อสังเกตสำหรับการกำจัดขยะ

การติดตั้ง

- ▶ ถอดแบตเตอรี่ออกจากเครื่องมือไฟฟ้าก่อนทำการปรับแต่งใดๆ ที่เครื่องมือไฟฟ้า (ค. ย. เช่น บำรุงรักษา เปลี่ยนเครื่องมือ ฯลฯ) รวมทั้งเมื่อขนย้ายและเก็บรักษา อันตรายจากการบาดเจ็บหากสวิตช์เปิด-ปิดติดขึ้นอย่างไม่ตั้งใจ

การใส่/การเปลี่ยนใบเลื่อย

- ▶ เมื่อติดตั้งหรือเปลี่ยนเครื่องมือ ต้องสวมถุงมือป้องกัน เครื่องมือมีความคมและอาจร้อนขึ้นเมื่อใช้งานเป็นเวลานาน
- ▶ เมื่อเปลี่ยนใบเลื่อย ต้องระมัดระวังอย่าให้มีเศษวัสดุคุดค้างอยู่ที่ที่จับใบเลื่อย ค. ย. เช่น ซีลี้อยไม้หรือโลหะ

การเลือกใบเลื่อย

กรุณาดูภาพรวมของใบเลื่อยที่แนะนำในตอนท้ายของคู่มือการใช้งาน ใช้เฉพาะใบเลื่อยที่มีก้านสากขนาด $\frac{1}{2}$ " เท่านั้น ใบเลื่อยไม่ควรยาวเกินกว่าที่จำเป็นสำหรับการตัดชิ้นงานที่ต้องการ

การใส่ใบเลื่อย (คุณภาพประกอบ A)

หมุนปลอกล็อก (3) ประมาณ 90° ไปทางทิศทางลูกศรและยึดให้แน่น ดันใบเลื่อย (1) เข้าในตัวจับใบเลื่อย (10) ปล่อยให้วางจากปลอกล็อก

- ▶ ดึงใบเลื่อยเพื่อตรวจสอบว่าใบเลื่อยเข้าตำแหน่งอย่างแน่นหนาแล้วหรือไม่ ใบเลื่อยที่ใส่ไว้หลวมๆ อาจหล่นออกมาและทำให้บาดเจ็บได้

สำหรับงานบางประเภท ท่านยังสามารถหมุนใบเลื่อย (1) ไป 180° (พื้นหันขึ้นด้านบน) และใส่ใบเลื่อยกลับเข้าไปอีกครั้ง

การถอดใบเลื่อย (คุณภาพประกอบ B)

- ▶ ปลดใบเลื่อยให้เย็นลงก่อนถอดออก

อันตรายจากการบาดเจ็บเมื่อสัมผัสใบเลื่อยที่ร้อน

หมุนปลอกล็อก (3) ประมาณ 90° ไปทางทิศทางลูกศร ถอดใบเลื่อย (1) ออก

การดูแล/ซีลี้อย

ฝุ่นที่ได้จากวัสดุ เช่น เคลือบผิวที่มีสารตะกั่ว ไม้บางประเภท แร่ธาตุ และโลหะ อาจเป็นอันตรายต่อสุขภาพ การสัมผัสหรือการหายใจเอาฝุ่นเข้าไปอาจทำให้เกิดปฏิกิริยาแพ้ฝุ่น และ/หรือนำมาซึ่งโรคติดเชื้อระบบหายใจแก่ผู้ใช้เครื่องมือหรือผู้ที่ยืนอยู่ใกล้เคียง

ฝุ่นบางประเภท เช่น ฝุ่นไม้โอ๊ก หรือไม้บีช นับเป็นสารที่ทำให้เกิดมะเร็ง โดยเฉพาะอย่างยิ่งเมื่อผสมกับสารเติมแต่งเพื่อบำบัดไม้ (โครเมต ผลิตภัณฑ์รักษาเนื้อไม้) สำหรับวัสดุที่มีแอลสเบตจะต้องให้ผู้เชี่ยวชาญทำงานเท่านั้น

- จัดสถานที่ทำงานให้มีการระบายอากาศที่ดี
- ขอแนะนำให้สวมหน้ากากป้องกันการติดเชื้อที่มีระดับ-ใส่กรอง P2

ปฏิบัติตามกฎข้อบังคับสำคัญอื่นๆ ที่เกี่ยวกับวัสดุชิ้นงานที่บังคับใช้ในประเทศของท่าน

- ▶ ป้องกันการสะสมของฝุ่นในสถานที่ทำงาน ฝุ่นสามารถถูกไหม้อย่างง่ายดาย

การปฏิบัติงาน

การเริ่มต้นปฏิบัติงาน

การเปิด-ปิดเครื่อง (ดูภาพประกอบ C)

หากต้องการ**เครื่องมือไฟฟ้า** ให้ดันปุ่มล็อค (5) ไปทางด้านซ้าย จากนั้นไกดสวิทช์เปิด-ปิด (6) ค้างไว้

ไฟส่องบริเวณทำงาน จะส่องสว่างเมื่อกดสวิทช์เปิด-ปิด (6) เบาๆ หรือเต็มที่ และช่วยเพิ่มความสว่างในบริเวณทำงานภายใต้สภาพแสงที่ไม่เอื้ออำนวย

ปิดสวิทช์ เครื่องมือไฟฟ้าโดยปล่อยนิ้วจากสวิทช์เปิด-ปิด (6) จากนั้นให้ดันปุ่มล็อค (5) ไปทางด้านขวาอีกครั้ง

การควบคุมอัตราขยับชัก

ท่านสามารถควบคุมความเร็วขยับชักของเครื่องมือไฟฟ้าที่เปิดสวิทช์ไว้ได้อย่างต่อเนื่อง โดยเพิ่มหรือลดแรงกดบนสวิทช์เปิด-ปิด (6)

เมื่อกดบนสวิทช์เปิด-ปิด (6) เบาๆ จะได้ความเร็วขยับชักต่ำ ถัดมาแรงขึ้น ความเร็วขยับชักก็จะเพิ่มขึ้นด้วย

เกณฑ์จังหวะขยับชักที่ต้องใช้ขึ้นอยู่กับประเภทวัสดุชิ้นงานและเงื่อนไขการทำงาน การทดลองภาคปฏิบัติจะช่วยให้ได้เกณฑ์จังหวะที่ดีที่สุด

ขอแนะนำให้ลดอัตราขยับชักลงขณะใบเลื่อยขบเข้าในวัสดุชิ้นงาน และเมื่อเลื่อยพลาสติกและอะลูมิเนียม

เมื่อทำงานที่อัตราขยับชักต่ำเป็นเวลานาน เครื่องอาจร้อนขึ้นมาก ให้ถอดใบเลื่อยออก และทำให้เครื่องมือไฟฟ้าเย็นลง โดยปล่อยให้เครื่องเดินด้วยความเร็วขยับชักสูงสุดนานประมาณ 3 นาที

ข้อแนะนำในการทำงาน

▶ **ถอดแบตเตอรี่ออกจากเครื่องมือไฟฟ้าก่อนทำการปรับแต่งใดๆ ที่เครื่องมือไฟฟ้า (ค. ย. เช่น บำรุงรักษา เปลี่ยนเครื่องมือ ฯลฯ) รวมทั้งเมื่อขนย้ายและเก็บรักษา** อันตรายจากการบาดเจ็บหากสวิทช์เปิด-ปิดติดขึ้นอย่างไม่ตั้งใจ

▶ **หากใบเลื่อยติดขัด ให้ปิดสวิทช์เครื่องทันที**

คำแนะนำ

▶ **เมื่อเลื่อยวัสดุก่อสร้างน้ำหนักเบา** ต้องปฏิบัติตามข้อกำหนดทางกฎหมายและข้อแนะนำของบริษัผลิตรวัสดุก่อสร้าง

ก่อนเลื่อย ให้ตรวจสอบไม้ พาร์ติเคิลบอร์ด วัสดุก่อสร้าง และอื่นๆ เพื่อหาวัตถุแปลกปลอม เช่น ตะปู สกรู หรือวัตถุคล้ายคลึงอื่นๆ และใบเลื่อยที่ถูกตัดอง

เปิดสวิทช์เครื่องและเคลื่อนเครื่องเข้าหาชิ้นงาน วางแผ่นฐาน (2) ทาบลงบนผิวหน้าชิ้นงาน และเลื่อยวัสดุออกโดยใช้แรง

กดสัมพันธ์และการบ่อนที่สม่ำเสมอ เมื่อกระบวนการทำงานสิ้นสุด ให้ปิดสวิทช์เครื่อง

หากใบเลื่อยติดขัด ให้ปิดสวิทช์เครื่องทันที ถ่างร่องตัดเล็กน้อยด้วยเครื่องมือที่เหมาะสม และดึงเครื่องออก

การจ้วงตัด (ดูภาพประกอบ D)

▶ **การจ้วงตัดจะทำได้เฉพาะเมื่อตัดวัสดุเนื้อแข็ง เช่น ไม้ แผ่นยิปซัม หรือวัสดุคล้ายคลึงเท่านั้น! อย่าเลื่อยวัสดุที่เป็นโลหะด้วยกระบวนการจ้วงตัด!**

สำหรับการจ้วงตัด ให้ใช้เฉพาะใบเลื่อยสั้นเท่านั้น

วางเครื่องโดยให้ขอบแผ่นฐาน (2) อยู่บนชิ้นงาน แต่อย่าให้ใบเลื่อย (1) สัมผัสกับชิ้นงาน และเปิดสวิทช์เครื่อง สำหรับเครื่องมือไฟฟ้าที่มีการควบคุมความเร็วขยับชัก ให้ตั้งความเร็วขยับชักสูงสุด จับเครื่องมือไฟฟ้าเข้าหาชิ้นงานอย่างมั่นคง และจ้วงใบเลื่อยเข้าในชิ้นงานอย่างช้าๆ ทั้งนี้ที่แผ่นฐาน (2) วางลงบนพื้นผิวของชิ้นงานทั้งหมด ให้เลื่อยต่อไปตามรอยตัดที่ต้องการ

สำหรับงานบางประเภท ท่านยังสามารถได้ใบเลื่อย (1) โดยหมุนกลับด้านไป 180° และเคลื่อนนำใบเลื่อยเนกประสงค์ในลักษณะกลับทางตามไปด้วย

การตัดเรียบเสมอกัน (ดูภาพประกอบ E)

เมื่อใช้ใบเลื่อยที่ทำจากแผ่นโลหะคู่ (bimetal) ที่ยึดหยุ่น ท่านสามารถเลื่อยชิ้นส่วนก่อสร้างที่ยื่นออกมา เช่น ท่อน้ำ ได้เรียบเสมอกับผาผนัง

▶ **ตรวจสอบให้แน่ใจว่าใบเลื่อยมีขนาดยาวกว่าเส้นผ่านศูนย์กลางของชิ้นงานที่จะเลื่อยเสมออันตรัยจากการติดตั้ง**

วางใบเลื่อยทาบกับผาผนังโดยตรง และตัดใบเลื่อยให้โค้งเล็กน้อย โดยกดลงด้านข้างบนเครื่องมือไฟฟ้าจนแผ่นฐานชิดกับผาผนัง เปิดสวิทช์เครื่องมือไฟฟ้า และเลื่อยผ่านชิ้นงานโดยกดลงด้านข้างอย่างคงที่

สารหล่อเย็น/น้ำมันหล่อลื่น

เมื่อเลื่อยโลหะ ให้ใช้โลมสารหล่อเย็น/น้ำมันหล่อลื่นตามรอยตัดเนื่องจากวัสดุร้อนขึ้น

การบำรุงรักษาและการบริการ

การบำรุงรักษาและการทำความสะอาด

▶ **ถอดแบตเตอรี่ออกจากเครื่องมือไฟฟ้าก่อนทำการปรับแต่งใดๆ ที่เครื่องมือไฟฟ้า (ค. ย. เช่น บำรุงรักษา เปลี่ยนเครื่องมือ ฯลฯ) รวมทั้งเมื่อขนย้ายและเก็บรักษา** อันตรายจากการบาดเจ็บหากสวิทช์เปิด-ปิดติดขึ้นอย่างไม่ตั้งใจ

► **เพื่อให้ทำงานได้อย่างถูกต้องและปลอดภัย
ต้องรักษาเครื่องและของระบายนายอากาศ
ให้สะอาดอยู่เสมอ**

ควรทำความสะอาดที่จับใบเลื่อยโดยใช้แปรงนุ่มขัด
สำหรับการทำความสะอาด ให้ถอดใบเลื่อยออกจากเครื่องมือ
ไฟฟ้า บำรุงรักษาที่จับใบเลื่อยให้ทำงานได้ดีโดยใช้สารหล่อ
ลื่นที่เหมาะสม

หากเครื่องมือไฟฟ้าสกปรกมาก เครื่องอาจทำงานผิดปกติได้
ดังนั้นอย่าปล่อยให้ฝุ่นที่ไต่ฝุ่นมากจากทางด้านล่างหรือเหนือ
ศีรษะ

**การบริการหลังการขายและการให้คำปรึกษาการ
ใช้งาน**

ศูนย์บริการหลังการขายของเรายินดีตอบคำถามของ
ท่านที่เกี่ยวกับการบำรุงรักษาและการซ่อมแซมผลิตภัณฑ์รวม
ทั้งเรื่องอะไหล่ ภาพเขียนแบบการประกอบและข้อมูลเกี่ยวกับ
อะไหล่ กรุณาดูใน: www.bosch-pt.com
ทีมงานที่ปรึกษาของ บอช ยินดีให้ข้อมูลเกี่ยวกับผลิตภัณฑ์
ของเราและอุปกรณ์ประกอบต่างๆ

เมื่อต้องการสอบถามและสั่งซื้ออะไหล่ กรุณาแจ้งหมายเลข
สินค้า 10 หลักบนแผ่นป้ายรุ่นของผลิตภัณฑ์ทุกครั้ง

ไทย

ไทย บริษัท โรเบิร์ต บอช จำกัด
เอฟวายไอ เซ็นเตอร์ อาคาร 1 ชั้น 5
เลขที่ 2525 ถนนพระราม 4
แขวงคลองเตย เขตคลองเตย กรุงเทพฯ 10110
โทร: +66 2012 8888
แฟกซ์: +66 2064 5800
www.bosch.co.th

ศูนย์บริการซ่อมและฝึกอบรม บอช
อาคาร ลาซาลทาวเวอร์ ชั้น G ห้องเลขที่ 2
บ้านเลขที่ 10/11 หมู่ 16
ถนนศรีนครินทร์ ตำบลบางแก้ว อำเภอบางพลี
จังหวัดสมุทรปราการ 10540
ประเทศไทย
โทรศัพท์ 02 7587555
โทรสาร 02 7587525

สามารถดูที่อยู่ศูนย์บริการอื่นๆ ได้ที่:

www.bosch-pt.com/serviceaddresses

การขนส่ง

แบตเตอรี่ลิเธียมไอออนที่แนะนำให้ใช้ อยู่ภายใต้ข้อกำหนดแห่งกฎหมายสินค้าอันตราย ผู้ใช้สามารถขนส่งแบตเตอรี่แพ็คโดยทางถนนโดยไม่มีข้อบังคับอื่นหากขนส่งโดยบุคคลที่สาม

(เช่น : การขนส่งทางอากาศ หรือตัวแทนขนส่งสินค้า)
ต้องปฏิบัติตามข้อกำหนดพิเศษเกี่ยวกับการบรรจุ
ภัณฑ์และการติดฉลาก สำหรับการเตรียมสิ่งของที่จะจัดส่ง
จำเป็นต้องปรึกษาผู้เชี่ยวชาญด้านวัตถุอันตราย
ส่งแบตเตอรี่แพ็คเมื่อตัวหุ้มไม่ชำรุดเสียหายเท่านั้น ใช้แถบ
กาวพันปิดหน้าสัมผัสที่เปิดอยู่ และนำแบตเตอรี่แพ็ค
ใส่กล่องบรรจุโดยไม่ให้เคลื่อนไปมาในกล่องได้ นอกจากนี้
นี้กรรณปฏิบัติตามกฎระเบียบของประเทศซึ่งอาจมีรายละเอียดเพิ่มเติม

การกำจัดขยะ



เครื่องมือไฟฟ้า แบตเตอรี่แพ็ค อุปกรณ์ประกอบ
และที่บ่อ ต้องนำ

ไปแยกประเภทวัสดุเพื่อนำกลับมาใช้
ใหม่โดยไม่ทำลายสภาพแวดล้อม



อย่าทิ้งเครื่องมือไฟฟ้าและแบตเตอรี่แพ็ค/
แบตเตอรี่ที่นำกลับมาใช้อีกใหม่ได้ ลงในขยะ
บ้าน!

แบตเตอรี่แพ็ค/แบตเตอรี่:

ลิเธียม ไอออน:

กรุณาปฏิบัติตามคำแนะนำในใบการขนส่ง (ดู "การขนส่ง",
หน้า 31)

Bahasa Indonesia

Petunjuk Keselamatan

Petunjuk keselamatan umum untuk perkakas listrik

⚠ PERINGATAN Baca semua peringatan, petunjuk, ilustrasi, dan spesifikasi keselamatan yang diberikan bersama perkakas listrik ini. Kesalahan dalam menjalankan petunjuk di bawah ini dapat mengakibatkan sengatan listrik, kebakaran, dan/atau cedera serius.

Simpanlah semua peringatan dan petunjuk untuk penggunaan di masa mendatang.

Istilah "perkakas listrik" dalam peringatan mengacu pada perkakas listrik yang dioperasikan dengan listrik (menggunakan kabel) atau perkakas listrik yang dioperasikan dengan baterai (tanpa kabel).

Keamanan tempat kerja

► **Jaga kebersihan dan pencahayaan area kerja.** Area yang berantakan atau gelap dapat memicu kecelakaan.

- ▶ **Jangan mengoperasikan perkakas listrik di lingkungan yang dapat memicu ledakan, seperti adanya cairan, gas, atau debu yang mudah terbakar.** Perkakas listrik dapat memancarkan bunga api yang kemudian mengakibatkan debu atau uap terbakar.
- ▶ **Jauhkan dari jangkauan anak-anak dan pengamat saat mengoperasikan perkakas listrik.** Gangguan dapat menyebabkan hilangnya kendali.

Keamanan listrik

- ▶ **Steker perkakas listrik harus sesuai dengan stopkontak. Jangan pernah memodifikasi steker. Jangan menggunakan steker adaptor bersama dengan perkakas listrik yang terhubung dengan sistem grounding.** Steker yang tidak dimodifikasi dan stopkontak yang cocok akan mengurangi risiko sengatan listrik.
- ▶ **Hindari kontak badan dengan permukaan yang terhubung dengan sistem grounding, seperti pipa, radiator, kompor, dan lemari es.** Terdapat peningkatan risiko terjadinya sengatan listrik jika badan Anda terhubung dengan sistem grounding.
- ▶ **Perkakas listrik tidak boleh terpapar hujan atau basah.** Air yang masuk ke dalam perkakas listrik menambah risiko terjadinya sengatan listrik.
- ▶ **Jangan menyalahgunakan kabel. Jangan gunakan kabel untuk membawa, menarik, atau melepas steker perkakas listrik. Jauhkan kabel dari panas, minyak, tepi yang tajam, atau komponen yang bergerak.** Kabel listrik yang rusak atau tersangkut menambah risiko terjadinya sengatan listrik.
- ▶ **Saat mengoperasikan perkakas listrik di luar ruangan, gunakan kabel ekstensi yang sesuai untuk penggunaan di luar ruangan.** Penggunaan kabel yang cocok untuk pemakaian di luar ruangan mengurangi risiko terjadinya sengatan listrik.
- ▶ **Jika perkakas listrik memang harus dioperasikan di tempat yang lembap, gunakan pemutus arus listrik residu (RCD).** Penggunaan RCD akan mengurangi risiko terjadinya sengatan listrik.

Keselamatan personel

- ▶ **Tetap waspada, perhatikan aktivitas yang sedang dikerjakan dan gunakan akal sehat saat mengoperasikan perkakas listrik. Jangan gunakan perkakas listrik saat mengalami kelelahan atau di bawah pengaruh narkoba, alkohol, atau obat-obatan.** Jika perkakas listrik dioperasikan dengan daya konsentrasi yang rendah, hal tersebut dapat menyebabkan cedera serius.
- ▶ **Gunakan peralatan pelindung diri. Selalu kenakan pelindung mata.** Penggunaan perlengkapan pelindung seperti penutup telinga, helm, sepatu anti licin, dan masker debu akan mengurangi cedera.
- ▶ **Hindari start yang tidak disengaja. Pastikan switch berada di posisi off sebelum perkakas listrik dihubungkan ke sumber daya listrik dan/atau baterai, diangkat, atau dibawa.** Membawa perkakas listrik

dengan jari menempel pada tombol atau perkakas listrik dalam keadaan hidup dapat memicu kecelakaan.

- ▶ **Singkirkan kunci penyetel atau kunci pas sebelum menghidupkan perkakas listrik.** Perkakas atau kunci pas yang masih menempel pada komponen perkakas listrik yang berputar dapat menyebabkan cedera.
- ▶ **Jangan melampaui batas. Berdirilah secara mantap dan selalu jaga keseimbangan.** Hal ini akan memberikan kontrol yang lebih baik terhadap perkakas listrik pada situasi yang tak terduga.
- ▶ **Kenakan pakaian dengan wajar. Jangan mengenakan perhiasan atau pakaian yang longgar. Jauhkan rambut dan pakaian dari komponen yang bergerak.** Pakaian yang longgar, rambut panjang, atau perhiasan dapat tersangkut dalam komponen yang bergerak.
- ▶ **Jika disediakan perangkat untuk sambungan pengisapan debu dan alat pengumpulan, pastikan perangkat tersebut terhubung dan digunakan dengan benar.** Penggunaan alat pengumpulan dapat mengurangi bahaya yang disebabkan oleh debu.
- ▶ **Jangan berpuas diri dan mengabaikan prinsip keselamatan karena terbiasa mengoperasikan perkakas.** Tindakan yang kurang hati-hati dapat mengakibatkan cedera serius dalam waktu sepersekian detik.

Penggunaan dan pemeliharaan perkakas listrik

- ▶ **Jangan memaksakan perkakas listrik. Gunakan perkakas listrik yang sesuai untuk pekerjaan yang dilakukan.** Perkakas listrik yang sesuai akan bekerja dengan lebih baik dan aman sesuai tujuan penggunaan.
- ▶ **Jangan gunakan perkakas listrik dengan switch yang tidak dapat dioperasikan.** Perkakas listrik yang switchnya yang tidak berfungsi dapat menimbulkan bahaya dan harus diperbaiki.
- ▶ **Lepaskan steker dari sumber listrik dan/atau lepas baterai, jika dapat dilepaskan dari perkakas listrik sebelum menyetel, mengganti aksesoris, atau menyimpan perkakas listrik.** Tindakan preventif akan mengurangi risiko menghidupkan perkakas listrik secara tidak disengaja.
- ▶ **Jauhkan dan simpan perkakas listrik dari jangkauan anak-anak dan jangan biarkan orang-orang yang tidak mengetahui cara menggunakan perkakas listrik, mengoperasikan perkakas listrik.** Perkakas listrik dapat membahayakan jika digunakan oleh orang-orang yang tidak terlatih.
- ▶ **Lakukan pemeliharaan perkakas listrik dan aksesoris. Periksa komponen yang bergerak apabila tidak lurus atau terikat, kerusakan komponen, dan kondisi lain yang dapat mengganggu pengoperasian perkakas listrik. Apabila rusak, perbaiki perkakas listrik sebelum digunakan.** Kecelakaan sering terjadi karena perkakas listrik tidak dirawat dengan baik.
- ▶ **Jaga ketajaman dan kebersihan alat.** Alat pemotong dengan pisau pemotong yang tajam dan dirawat dengan

baik tidak akan mudah tersangkut dan lebih mudah dikendalikan.

- ▶ **Gunakan perkakas listrik, aksesoris, dan komponen perkakas dll sesuai dengan petunjuk ini, dengan mempertimbangkan kondisi kerja dan pekerjaan yang akan dilakukan.** Penggunaan perkakas listrik untuk tujuan berbeda dari fungsinya dapat menyebabkan situasi yang berbahaya.
- ▶ **Jaga gagang dan permukaan genggam agar tetap kering, bersih, dan bebas dari minyak dan lemak.** Gagang dan permukaan genggam yang licin tidak menjamin keamanan kerja dan kontrol alat yang baik pada situasi yang tidak terduga.

Penggunaan dan pemeliharaan perkakas baterai

- ▶ **Isi ulang daya hanya dengan pengisi daya yang ditentukan oleh produsen.** Pengisi daya yang sesuai untuk satu jenis set baterai dapat menyebabkan risiko kebakaran apabila digunakan dengan set baterai lain.
- ▶ **Hanya gunakan perkakas listrik dengan set baterai yang dirancang khusus.** Penggunaan set baterai lain dapat menyebabkan risiko cedera dan kebakaran.
- ▶ **Apabila set baterai tidak digunakan, jauhkan dari benda logam lainnya, seperti klip kertas, koin, kunci, paku, sekrup, atau benda logam kecil lainnya yang dapat membuat sambungan dari satu terminal ke terminal lainnya.** Memendekkan terminal baterai dapat menyebabkan kebakaran atau api.
- ▶ **Cairan dapat keluar dari baterai jika baterai tidak digunakan dengan benar; hindari kontak.** Jika terjadi kontak secara tidak disengaja, bilas dengan air. Jika cairan mengenai mata, segera hubungi bantuan medis. Cairan yang keluar dari baterai dapat menyebabkan iritasi atau luka bakar.
- ▶ **Jangan gunakan set baterai atau perkakas yang rusak atau telah dimodifikasi.** Baterai yang rusak atau telah dimodifikasi dapat menimbulkan kejadian yang tak terduga seperti kebakaran, ledakan, atau risiko cedera.
- ▶ **Jangan meletakkan set baterai atau perkakas di dekat api atau suhu tinggi.** Paparan terhadap api atau suhu di atas 130 °C dapat memicu ledakan.
- ▶ **Ikuti semua petunjuk pengisian daya dan jangan mengisi daya set baterai atau perkakas di luar rentang suhu yang ditentukan dalam petunjuk.** Pengisian daya yang tidak tepat atau di luar rentang suhu yang ditentukan dapat merusak baterai dan meningkatkan risiko kebakaran.

Servis

- ▶ **Minta teknisi berkualifikasi untuk menyervis perkakas listrik dengan hanya menggunakan suku cadang yang identik.** Dengan demikian, hal ini akan memastikan keamanan perkakas listrik.
- ▶ **Jangan pernah melakukan servis pada baterai yang telah rusak.** Servis baterai hanya boleh dilakukan oleh produsen atau penyedia servis resmi.

Petunjuk Keselamatan untuk Sabre Saw

- ▶ **Pegang perkakas listrik pada permukaan gagang isolator saat digunakan karena aksesoris pemotong dapat saja bersentuhan dengan kabel yang tidak terlihat.** Aksesoris pemotong yang bersentuhan dengan kabel yang dialiri listrik dapat menyebabkan bagian logam perkakas listrik yang terbuka dialiri listrik sehingga berisiko mengakibatkan sengatan listrik pada operator.
- ▶ **Gunakan penjepit atau cara lain yang praktis untuk mengamankan dan menopang benda kerja pada permukaan yang stabil.** Benda kerja dapat goyah atau kehilangan kendali jika dipegang dengan tangan atau ditahan dengan tubuh Anda.
- ▶ **Jauhkan tangan Anda dari area penggergajian.** Jangan menjangkau ke bawah benda kerja. Bersentuhan dengan mata gergaji dapat mengakibatkan cedera.
- ▶ **Pegang erat perkakas listrik dengan kedua tangan selama mengoperasikannya dan pastikan Anda berdiri di posisi aman.** Gunakan perkakas listrik dengan kedua tangan secara hati-hati.
- ▶ **Hidupkan terlebih dahulu perkakas listrik, kemudian perkakas listrik didekatkan pada benda kerja.** Jika tidak, terdapat bahaya sentakan jika alat kerja tersangkut dalam benda yang dikerjakan.
- ▶ **Pastikan pelat kaki selalu berada pada benda kerja selama penggergajian.** Mata gergaji dapat tersangkut dan mengakibatkan hilang kontrol atas perkakas listrik.
- ▶ **Matikan perkakas listrik setelah pekerjaan menggergaji selesai dan tunggu hingga mata gergaji berhenti bergerak, kemudian keluarkan mata gergaji dari jalur pemotongan.** Dengan demikian, sentakan dapat dihindari dan perkakas listrik dapat diletakkan dengan aman.
- ▶ **Sebelum meletakkan perkakas listrik, tungguhingga perkakas berhenti berputar.** Alat kerja dapat tersangkut dan menyebabkan perkakas listrik tidak dapat dikendalikan.
- ▶ **Gunakanlah hanya mata gergaji yang tidak rusak dan mulus.** Mata gergaji yang melengkung atau tidak tajam dapat patah, membuat potongan tidak bagus, atau mengakibatkan sentakan.
- ▶ **Setelah perkakas listrik dimatikan, jangan melakukan pengereman dengan cara menekan mata gergaji pada sisinya.** Hal tersebut dapat mengakibatkan mata gergaji menjadi rusak, patah, atau mengakibatkan sentakan.
- ▶ **Kencangkan material dengan benar. Jangan menopang benda kerja dengan tangan atau kaki. Jangan menyentuh benda-benda atau tanah dengan gergaji yang sedang beroperasi.** Terdapat risiko sentakan.
- ▶ **Gunakanlah alat detektor logam yang cocok untuk mencari kabel dan pipa yang tidak terlihat atau hubungi perusahaan pengadaan setempat.** Sentuhan dengan kabel-kabel listrik dapat mengakibatkan api dan

kontak listrik. Pipa gas yang dirusak dapat mengakibatkan ledakan. Pipa air yang dirusak mengakibatkan barang-barang menjadi rusak.

- ▶ **Asap dapat keluar apabila terjadi kerusakan atau penggunaan yang tidak tepat pada baterai. Baterai dapat terbakar atau meledak.** Biarkan udara segar mengalir masuk dan kunjungi dokter apabila mengalami gangguan kesehatan. Asap tersebut dapat mengganggu saluran pernafasan.
- ▶ **Jangan membuka baterai.** Ada bahaya terjadinya korsleting.
- ▶ **Baterai dapat rusak akibat benda-benda lancip, seperti jarum, obeng, atau tekanan keras dari luar.** Hal ini dapat menyebabkan terjadinya hubungan singkat internal dan baterai dapat terbakar, berasap, meledak, atau mengalami panas berlebihan.
- ▶ **Hanya gunakan baterai pada produk yang dibuat oleh produsen.** Hanya dengan cara ini, baterai dapat terlindungi dari kelebihan muatan.



Lindungi baterai dari panas, misalnya juga dari paparan sinar matahari dalam waktu yang lama, api, kotoran, air dan kelembapan. Terdapat risiko ledakan dan korsleting.



Spesifikasi produk dan performa



Bacalah semua petunjuk keselamatan dan petunjuk penggunaan. Kesalahan dalam menjalankan petunjuk keselamatan dan petunjuk penggunaan dapat mengakibatkan kontak listrik, kebakaran, dan/atau luka-luka yang berat.

Perhatikan ilustrasi yang terdapat pada sisi sampul panduan pengoperasian.

Tujuan penggunaan

Perkakas listrik ini cocok untuk menggergaji kayu, bahan sintetis, logam dan material bangunan. Perkakas listrik ini cocok untuk pemotongan lurus dan berliku-liku. Pemotongan sejajar dapat dilakukan saat menggunakan mata gergaji bimetal yang sesuai. Perhatikan petunjuk untuk penggunaan mata gergaji.

Ilustrasi komponen

Nomor-nomor dari bagian-bagian perkakas pada gambar sesuai dengan gambar perkakas listrik pada halaman bergambar.

- (1) Mata gergaji^{a)}
- (2) Pelat dasar
- (3) Selongsong pengunci untuk mata gergaji
- (4) Baterai^{a)}
- (5) Kunci pengaman untuk tombol on/off
- (6) Tombol on/off
- (7) Lampu kerja

- (8) Tombol pelepas baterai^{a)}
 - (9) Gagang (permukaan genggam berisolator)
 - (10) Dudukan mata gergaji
- a) **Aksesori yang digambarkan atau yang dijelaskan tidak termasuk dalam lingkup pengiriman standar. Semua aksesori yang ada dapat ditemukan dalam program aksesori kami.**

Data teknis

Gergaji sabre	GSA 18 V-LI C	
Nomor model		3 601 FA5 0..
Tegangan nominal	V=	18
Kecepatan pemotongan tanpa beban $n_0^A)$	min ⁻¹	0–3050
Dudukan alat kerja		SDS
Pemotongan	mm	21
Kedalaman pemotongan maks.		
– pada kayu	mm	200
– pada baja (non-alloy)	mm	16
– Diameter pipa	mm	100
Berat sesuai dengan EPTA-Procedure 01:2014	kg	2,3–3,3 ^{B)}
Suhu sekitar yang direkomendasikan saat pengisian daya	°C	0 ... +35
Suhu sekitar yang diizinkan saat pengoperasian ^{C)} dan saat penyimpanan	°C	–20 ... +50
Baterai yang direkomendasikan		GBA 18V... ProCORE18V...
Perangkat pengisi daya yang direkomendasikan		GAL 18... GAX 18... GAL 36...

- A) Diukur pada suhu 20–25 °C dengan baterai **GBA 18V 4.0Ah**.
 B) tergantung pada baterai yang digunakan
 C) daya terbatas pada suhu <0 °C

Baterai

Mengisi daya baterai

- ▶ **Hanya gunakan pengisi daya yang tercantum pada data teknis.** Hanya pengisi daya ini yang sesuai dengan baterai li-ion yang digunakan pada perkakas listrik Anda.

Catatan: Baterai lithium-ion dikirim dalam keadaan terisi daya sebagian berdasarkan peraturan transportasi internasional. Untuk menjamin daya penuh dari baterai, isi daya baterai hingga penuh sebelum menggunakannya untuk pertama kali.

Memasang baterai

Masukkan baterai yang telah terisi daya ke dalam dudukan baterai hingga baterai terkunci.



Melepas baterai

Untuk melepas baterai, tekan tombol pelepas baterai dan keluarkan baterai. **Jangan melepas baterai dengan paksa.**

Baterai memiliki 2 level penguncian untuk mencegah baterai terlepas saat tombol pelepas baterai ditekan secara tidak sengaja. Selama baterai terpasang di dalam perkakas listrik, baterai ditahan posisinya menggunakan pegas.

Indikator level pengisian daya baterai

LED berwarna hijau dari indikator level pengisian daya baterai menampilkan level pengisian daya baterai. Atas dasar keselamatan, permintaan level pengisian daya baterai hanya dapat dilakukan saat perkakas listrik dalam keadaan berhenti.

Tekan tombol indikator level pengisian daya baterai  atau  untuk menampilkan level pengisian baterai. Hal ini juga dapat dilakukan saat baterai dilepas.

Apabila LED tidak menyala setelah menekan tombol indikator level pengisian daya, terdapat kerusakan pada baterai dan baterai harus diganti.

Tipe baterai GBA 18V...



LED	Kapasitas
Lampu permanen hijau 3×	60–100%
Lampu permanen hijau 2×	30–60%
Lampu permanen hijau 1×	5–30%
Lampu berkedip hijau 1×	0–5%

Tipe baterai ProCORE18V...



LED	Kapasitas
Lampu permanen hijau 5×	80–100%
Lampu permanen hijau 4×	60–80%
Lampu permanen hijau 3×	40–60%
Lampu permanen hijau 2×	20–40%
Lampu permanen hijau 1×	5–20%
Lampu berkedip hijau 1×	0–5%

Petunjuk untuk penanganan baterai yang optimal

Lindungilah baterai dari kelembapan dan air.

Simpan baterai hanya pada rentang suhu antara –20 °C hingga 50 °C. Janganlah meletakkan baterai di dalam mobil, misalnya pada musim panas.

Bersihkan lubang ventilasi baterai dengan kuas yang lunak, bersih dan kering secara berkala.

Waktu pengoperasian yang berkurang secara signifikan setelah pengisian daya menunjukkan bahwa baterai telah habis dan perlu diganti.

Perhatikan petunjuk untuk membuang.

Cara memasang

- ▶ **Sebelum melakukan semua pekerjaan pada perkakas listrik (misalnya merawat, mengganti alat kerja, dsb.) serta selama transpor dan penyimpanan, keluarkanlah baterai dari perkakas listrik.** Terdapat risiko cedera apabila tombol untuk menghidupkan dan mematikan dioperasikan tanpa sengaja.

Memasang/mengganti mata gergaji

- ▶ **Pakailah sarung tangan pelindung saat memasang atau mengganti alat sisipan.** Alat sisipan sangat tajam dan dapat memanas jika digunakan dalam waktu yang lama.
- ▶ **Saat mengganti mata gergaji, pastikan dudukan mata gergaji bebas dari sisa material, misalnya serpihan kayu atau logam.**

Memilih mata gergaji

Temukan ikhtisar mengenai mata gergaji yang disarankan di akhir petunjuk ini. Pasang hanya mata gergaji dengan 1/2" batang universal. Mata gergaji sebaiknya tidak lebih panjang daripada yang diperlukan untuk pemotongan yang hendak dikerjakan.

Memasang mata gergaji (lihat gambar A)

Putar selongsong pengunci (3) sekitar 90° sesuai arah panah lalu kencangkan. Dorong mata gergaji (1) ke dudukan mata gergaji (10). Lepaskan kembali selongsong pengunci.

- ▶ **Periksa apakah mata gergaji sudah terpasang kencang dengan cara ditarik.** Mata gergaji yang tidak kencang dapat terlepas dan mencederaikan Anda.

Mata gergaji juga dapat diputar (1) sebesar 180° (gigi menghadap ke atas) dan dapat disetel kembali untuk pengoperasian tertentu.

Melepaskan mata gergaji (lihat gambar B)

- ▶ **Biarkan mata gergaji menjadi dingin sebelum dilepaskan.** Menyentuh mata gergaji yang panas dapat menyebabkan cedera.

Putar selongsong pengunci (3) sekitar 90° sesuai arah panah lalu kencangkan. Lepaskan mata gergaji (1).

Pengisapan debu/serbuk

Debu dari bahan-bahan seperti cat yang mengandung timbel (timah hitam), beberapa jenis kayu, bahan mineral dan logam dapat berbahaya bagi kesehatan. Menyentuh atau menghirup debu-debu ini dapat mengakibatkan reaksi alergi dan/atau penyakit saluran pernapasan pada pengguna atau orang yang berada di dekatnya.

Beberapa debu tertentu seperti debu kayu pohon quercus atau pohon fagus silvatica dianggap dapat mengakibatkan penyakit kanker, terutama dalam campuran dengan bahan-bahan tambahan untuk pengolahan kayu (kromat, obat pengawet kayu). Bahan-bahan yang mengandung asbes hanya boleh dikerjakan oleh orang-orang yang ahli.

- Perhatikanlah supaya ada pertukaran udara yang baik di tempat kerja.
- Kami anjurkan Anda memakai masker anti debu dengan filter kelas P2.

Taatilah peraturan-peraturan untuk bahan-bahan yang dikerjakan yang berlaku di negara Anda.

- **Hindari debu yang banyak terkumpul di tempat kerja.**
Debu dapat tersulut dengan mudah.

Penggunaan

Cara penggunaan

Menghidupkan/mematikan (lihat gambar C)

Untuk **menghidupkan** perkakas listrik, tekan kunci pengaman (5) ke kiri terlebih dulu. Kemudian, tekan dan tahan tombol on/off (6).

Lampu kerja akan menyala saat tombol on/off (6) ditekan singkat atau ditekan sepenuhnya dan membantu menerangi area kerja saat kondisi cahaya tidak menguntungkan.

Untuk **mematikan** perkakas listrik, lepaskan tombol on/off (6). Lalu tekan kembali kunci pengaman (5) ke kanan.

Mengendalikan jumlah langkah

Jumlah langkah perkakas listrik yang dihidupkan dapat disetel terus-menerus tergantung seberapa kuat tombol on/off (6) ditekan.

Jika tombol on/off (6) ditekan ringan, jumlah langkah menjadi rendah. Jika tekanan ditambah, jumlah langkah akan meningkat.

Jumlah langkah yang diperlukan tergantung pada material kerja dan kondisi kerja serta dapat ditentukan dengan uji coba.

Disarankan untuk mengurangi jumlah langkah saat menggunakan pisau gergaji pada benda kerja serta saat memotong bahan sintetik dan aluminium.

Jika digunakan untuk waktu yang lama dengan jumlah langkah yang rendah, perkakas listrik dapat menjadi sangat panas. Lepaskan pisau gergaji dan biarkan perkakas listrik beroperasi dengan jumlah langkah maksimal selama kira-kira 3 menit untuk didinginkan.

Petunjuk pengoperasian

- **Sebelum melakukan semua pekerjaan pada perkakas listrik (misalnya merawat, mengganti alat kerja, dsb.) serta selama transpor dan penyimpanan, keluarkanlah baterai dari perkakas listrik.** Terdapat risiko cedera apabila tombol untuk menghidupkan dan mematikan dioperasikan tanpa sengaja.
- **Segera matikan perkakas listrik jika pisau gergaji terhenti.**

Tips

- **Jika menggergaji bahan-bahan bangunan yang ringan, perhatikanlah peraturan dari pemerintah dan petunjuk dari produsen material.**

Sebelum melakukan pemotongan pada kayu, papan partikel, material bangunan dan lainnya, periksa benda kerja dari benda asing seperti paku, sekrap atau sejenisnya, serta gunakan mata gergaji yang sesuai.

Hidupkan perkakas listrik dan dekatkan pada benda yang akan dikerjakan. Pasang pelat dasar (2) pada permukaan benda yang dikerjakan dan potong material dengan tekanan sirkulasi teratur atau dengan dorongan. Setelah selesai, matikan perkakas listrik.

Jika mata gergaji terjepit, matikanlah segera perkakas listrik. Lebarlah celah penggergajian sedikit saja dengan alat yang sesuai, kemudian tarik perkakas listrik ke luar.

Pemotongan dalam (lihat gambar D)

- **Hanya gunakan bahan lunak seperti kayu, gipsium atau sejenisnya yang boleh digunakan untuk proses pemotongan ke dalam! Jangan menggergaji bahan logam dengan cara pemotongan ke dalam!**

Untuk pemotongan ke dalam, hanya gunakan pisau gergaji yang pendek.

Gunakan perkakas listrik dengan tepi pelat dasar (2) pada benda kerja tanpa menyentuh mata gergaji (1) dan nyalakan perkakas listrik. Pada perkakas listrik dengan kontrol kecepatan, pilih jumlah langkah maksimal. Tekan kuat perkakas listrik pada benda kerja dan biarkan pisau gergaji masuk perlahan.

Setelah pelat dasar (2) terletak pada seluruh permukaan benda kerja, potong benda kerja sepanjang garis yang diinginkan.

Mata gergaji juga dapat digunakan dengan diputar (1) sebesar 180° dan perkakas listrik yang sesuai dapat bergerak dengan cara diputar pada pengoperasian tertentu.

Menggergaji sama rata dengan permukaan (lihat gambar E)

Dengan mata gergaji bimetal yang elastis, komponen yang menonjol seperti pipa air dapat dipotong langsung pada dinding.

- **Perhatikan bahwa mata gergaji harus lebih panjang dari diameter benda yang dikerjakan. Terdapat risiko sentakan.**

Posisikan mata gergaji langsung ke permukaan dinding dan miringkan tubuh sedikit dengan mendorong perkakas listrik ke samping hingga pelat dasar menyangar pada dinding. Hidupkan perkakas listrik dan potong benda dengan tekanan samping yang konstan.

Zat pendingin/pelumas

Saat menggergaji logam, gunakan zat pendingin/pelumas di sepanjang garis pemotongan akibat pemanasan pada material.

Perawatan dan servis

Perawatan dan pembersihan

- **Sebelum melakukan semua pekerjaan pada perkakas listrik (misalnya merawat, mengganti alat kerja, dsb.) serta selama transpor dan penyimpanan, keluarkanlah**

baterai dari perkakas listrik. Terdapat risiko cedera apabila tombol untuk menghidupkan dan mematikan dioperasikan tanpa sengaja.

- ▶ **Perkakas listrik dan lubang ventilasi harus selalu dibersihkan agar perkakas dapat digunakan dengan baik dan aman.**

Sebaiknya, bersihkan dudukan mata gergaji menggunakan kuas yang lembut. Untuk itu, lepaskan mata gergaji dari perkakas listrik. Gunakanlah pelumas yang cocok untuk menjaga dudukan mata gergaji agar selalu berfungsi dengan baik.

Perkakas listrik yang sangat kotor dapat tidak berfungsi dengan baik. Oleh karena itu, jangan menggergaji material yang menghasilkan banyak debu dari bawah atau di atas kepala.

Layanan pelanggan dan konsultasi penggunaan

Layanan pelanggan Bosch menjawab semua pertanyaan Anda tentang reparasi dan perawatan serta tentang suku cadang produk ini. Gambaran teknis (exploded view) dan informasi mengenai suku cadang dapat ditemukan di:

www.bosch-pt.com

Tim konsultasi penggunaan Bosch akan membantu Anda menjawab pertanyaan seputar produk kami beserta aksesorinya.

Jika Anda hendak menanyakan sesuatu atau memesan suku cadang, selalu sebutkan nomor model yang terdiri dari 10 angka dan tercantum pada label tipe produk.

Indonesia

PT Robert Bosch Indonesia
Arkadia Green Park Tower G – 7th floor
Jl. Let. Jend. TB. Simatupang Kav.88
Jakarta 12520
Tel.: (021) 3005 5800
Fax: (021) 3005 5801
E-Mail: boschpowertools@id.bosch.com
www.bosch-pt.co.id

Alamat layanan lainnya dapat ditemukan di:

www.bosch-pt.com/serviceaddresses

Transpor

Baterai li-ion yang direkomendasikan tunduk pada persyaratan terkait peraturan tentang bahan-bahan yang berbahaya. Baterai dapat diangkat di jalan oleh penggunanya tanpa pembatasan lebih lanjut.

Pada pengiriman oleh pihak ketiga (misalnya transportasi udara atau perusahaan ekspedisi) harus ditaati syarat-syarat terkait kemasan dan pemberian tanda. Dalam hal ini, diperlukan konsultasi dengan ahli bahan-bahan berbahaya saat mengatur barang pengiriman.

Kirimkan baterai hanya jika housing-nya tidak rusak. Tutup bagian-bagian yang terbuka dan kemas baterai agar tidak bergerak-gerak di dalam kemasan. Taatilah peraturan-peraturan nasional lainnya yang mungkin lebih rinci yang berlaku di negara Anda.

Cara membuang



Perkakas listrik, baterai, aksesoris dan kemasan harus didaur ulang dengan cara yang ramah lingkungan.



Jangan membuang perkakas listrik, aki/baterai ke dalam sampah rumah tangga!

Baterai:

Li-ion:

Perhatikanlah petunjuk-petunjuk dalam bab Transpor (lihat „Transpor“, Halaman 37).

Tiếng Việt

Hướng dẫn an toàn

Hướng dẫn an toàn chung cho dụng cụ điện

⚠ CẢNH BÁO **Hãy đọc toàn bộ các cảnh báo an toàn, hướng dẫn, hình ảnh và thông số kỹ thuật được cung cấp cho dụng cụ điện cầm tay này.** Không tuân thủ mọi hướng dẫn được liệt kê dưới đây có thể bị điện giật, gây cháy và /hay bị thương tật nghiêm trọng. **Hãy giữ tất cả tài liệu về cảnh báo và hướng dẫn để tham khảo về sau.**

Thuật ngữ "dụng cụ điện cầm tay" trong phần cảnh báo là đề cập đến sự sử dụng dụng cụ điện cầm tay của bạn, loại sử dụng điện nguồn (có dây cắm điện) hay vận hành bằng pin (không dây cắm điện).

Khu vực làm việc an toàn

- ▶ **Giữ nơi làm việc sạch và đủ ánh sáng.** Nơi làm việc bừa bộn và tối tăm dễ gây ra tai nạn.
- ▶ **Không vận hành dụng cụ điện cầm tay trong môi trường dễ gây nổ, chẳng hạn như nơi có chất lỏng dễ cháy, khí đốt hay rác.** Dụng cụ điện cầm tay tạo ra các tia lửa nên có thể làm rác bén cháy hay bốc khói.
- ▶ **Không để trẻ em hay người đến xem đứng gần khi vận hành dụng cụ điện cầm tay.** Sự phân tâm có thể gây ra sự mất điều khiển.

An toàn về điện

- ▶ **Phích cắm của dụng cụ điện cầm tay phải thích hợp với ổ cắm. Không bao giờ được cài biến lại phích cắm dưới mọi hình thức. Không được sử dụng phích tiếp hợp nối tiếp đất (dây mát).** Phích cắm nguyên bản và ổ cắm đúng loại sẽ làm giảm nguy cơ bị điện giật.

- ▶ **Tránh không để thân thể tiếp xúc với đất hay các vật có bề mặt tiếp đất như đường ống, lò sưởi, hàng rào và tủ lạnh.** Có nhiều nguy cơ bị điện giật hơn nếu cơ thể bạn bị tiếp hay nối đất.
- ▶ **Không được để dụng cụ điện cầm tay ngoài mưa hay ở tình trạng ẩm ướt.** Nước vào máy sẽ làm tăng nguy cơ bị điện giật.
- ▶ **Không được lạm dụng dây dẫn điện.** Không bao giờ được nắm dây dẫn để xách, kéo hay rút phích cắm dụng cụ điện cầm tay. Không để dây gần nơi có nhiệt độ cao, dầu nhớt, vật nhọn bén và bộ phận chuyển động. Làm hỏng hay cuộn rối dây dẫn làm tăng nguy cơ bị điện giật.
- ▶ **Khi sử dụng dụng cụ điện cầm tay ngoài trời, dùng dây nối thích hợp cho việc sử dụng ngoài trời.** Sử dụng dây nối thích hợp cho việc sử dụng ngoài trời làm giảm nguy cơ bị điện giật.
- ▶ **Nếu việc sử dụng dụng cụ điện cầm tay ở nơi ẩm ướt là không thể tránh được, dùng thiết bị ngắt mạch tự động (RCD) bảo vệ nguồn.** Sử dụng thiết bị ngắt mạch tự động RCD làm giảm nguy cơ bị điện giật.

An toàn cá nhân

- ▶ **Hãy tỉnh táo, biết rõ mình đang làm gì và hãy sử dụng ý thức khi vận hành dụng cụ điện cầm tay.** Không sử dụng dụng cụ điện cầm tay khi đang mệt mỏi hay đang bị tác động do chất gây nghiện, rượu hay được phẩm gây ra. Một thoáng mất tập trung khi đang vận hành dụng cụ điện cầm tay có thể gây thương tích nghiêm trọng cho bản thân.
- ▶ **Sử dụng trang bị bảo hộ cá nhân.** Luôn luôn đeo kính bảo vệ mắt. Trang bị bảo hộ như khẩu trang, giày chống trượt, nón bảo hộ, hay dụng cụ bảo vệ tai khi được sử dụng đúng nơi đúng chỗ sẽ làm giảm nguy cơ thương tật cho bản thân.
- ▶ **Phòng tránh máy khởi động bất ngờ.** Bảo đảm công tắc máy ở vị trí tắt trước khi cắm vào nguồn điện và/hay lắp pin vào, khi nhấn máy lên hay khi mang xách máy. Ngáng ngón tay vào công tắc máy để xách hay kích hoạt dụng cụ điện cầm tay khi công tắc ở vị trí mở để dẫn đến tai nạn.
- ▶ **Lấy mọi chìa hay khóa điều chỉnh ra trước khi mở điện dụng cụ điện cầm tay.** Khóa chìa còn gắn dính vào bộ phận quay của dụng cụ điện cầm tay có thể gây thương tích cho bản thân.
- ▶ **Không rướn người.** Luôn luôn giữ tư thế đứng thích hợp và thăng bằng. Điều này tạo cho việc điều khiển dụng cụ điện cầm tay tốt hơn trong mọi tình huống bất ngờ.
- ▶ **Trang phục thích hợp.** Không mặc quần áo rộng lung tung hay mang trang sức. Giữ tóc và quần áo xa khỏi các bộ phận chuyển

động. Quần áo rộng lung tung, đồ trang sức hay tóc dài có thể bị cuốn vào các bộ phận chuyển động.

- ▶ **Nếu có các thiết bị đi kèm để nối máy hút bụi và các phụ kiện khác, bảo đảm các thiết bị này được nối và sử dụng tốt.** Việc sử dụng các thiết bị gom hút bụi có thể làm giảm các độc hại liên quan đến bụi gây ra.
- ▶ **Không để thói quen do sử dụng thường xuyên dụng cụ khiến bạn trở nên chủ quan và bỏ qua các quy định an toàn dụng cụ.** Một hành vi bất cẩn có thể gây ra thương tích nghiêm trọng chỉ trong tích tắc.

Sử dụng và bảo dưỡng dụng cụ điện cầm tay

- ▶ **Không được ép máy.** Sử dụng dụng cụ điện cầm tay đúng loại theo đúng ứng dụng của bạn. Dụng cụ điện cầm tay đúng chức năng sẽ làm việc tốt và an toàn hơn theo đúng tiến độ mà máy được thiết kế.
- ▶ **Không sử dụng dụng cụ điện cầm tay nếu như công tắc không tắt và mở được.** Bất kỳ dụng cụ điện cầm tay nào mà không thể điều khiển được bằng công tắc là nguy hiểm và phải được sửa chữa.
- ▶ **Rút phích cắm ra khỏi nguồn điện và/hay pin ra khỏi dụng cụ điện cầm tay nếu có thể tháo được, trước khi tiến hành bất kỳ điều chỉnh nào, thay phụ kiện, hay cắt dụng cụ điện cầm tay.** Các biện pháp ngăn ngừa như vậy làm giảm nguy cơ dụng cụ điện cầm tay khởi động bất ngờ.
- ▶ **Cất giữ dụng cụ điện cầm tay không dùng tới nơi trẻ em không lấy được và không cho người chưa từng biết dụng cụ điện cầm tay hay các hướng dẫn này sử dụng dụng cụ điện cầm tay.** Dụng cụ điện cầm tay nguy hiểm khi ở trong tay người chưa được chỉ cách sử dụng.
- ▶ **Bảo quản dụng cụ điện cầm tay và các phụ kiện.** Kiểm tra xem các bộ phận chuyển động có bị sai lệch hay kẹt, các bộ phận bị rạn nứt và các tình trạng khác có thể ảnh hưởng đến sự vận hành của máy. Nếu bị hư hỏng, phải sửa chữa máy trước khi sử dụng. Nhiều tai nạn xảy ra do bảo quản dụng cụ điện cầm tay tồi.
- ▶ **Giữ các dụng cụ cắt bén và sạch.** Bảo quản đúng cách các dụng cụ cắt có cạnh cắt bén làm giảm khả năng bị kẹt và dễ điều khiển hơn.
- ▶ **Sử dụng dụng cụ điện cầm tay, phụ kiện, đầu cài v. v., đúng theo các chỉ dẫn này, hãy lưu ý đến điều kiện làm việc và công việc phải thực hiện.** Sự sử dụng dụng cụ điện cầm tay khác với mục đích thiết kế có thể tạo nên tình huống nguy hiểm.
- ▶ **Giữ tay cầm và bề mặt nắm luôn khô ráo, sạch sẽ và không dính dầu mỡ.** Tay cầm và

bề mặt nắm trơn trượt không đem lại thao tác an toàn và kiểm soát dụng cụ trong các tình huống bất ngờ.

Sử dụng và bảo quản dụng cụ dùng pin

- ▶ **Chỉ được sạc pin lại với bộ nạp điện do nhà sản xuất chỉ định.** Bộ nạp điện thích hợp cho một loại pin có thể gây nguy cơ cháy khi sử dụng cho một loại pin khác.
- ▶ **Chỉ sử dụng dụng cụ điện cầm tay với loại pin được thiết kế đặc biệt dành riêng cho máy.** Sử dụng bất cứ loại pin khác có thể dẫn đến thương tật hay cháy.
- ▶ **Khi không sử dụng pin, để cách xa các vật bằng kim loại như kẹp giấy, tiền xu, chìa khoá, đinh, ốc vít hay các đồ vật kim loại nhỏ khác, thứ có thể tạo sự nối tiếp từ một đầu cực với một đầu cực khác.** Sự chập mạch của các đầu cực với nhau có thể gây bóng hay cháy.
- ▶ **Bảo quản ở tình trạng tối, dung dịch từ pin có thể tửa ra; tránh tiếp xúc.** Nếu vô tình chạm phải, hãy xối nước để rửa. Nếu dung dịch vào mắt, cần thêm sự hỗ trợ của y tế. Dung dịch tiết ra từ pin có thể gây ngứa hay bóng.
- ▶ **Không được sử dụng bộ pin hoặc dụng cụ đã bị hư hại hoặc bị thay đổi.** Pin hỏng hoặc bị thay đổi có thể gây ra những tác động không lường trước được như cháy nổ hoặc nguy cơ thương tích.
- ▶ **Không đặt bộ pin hoặc dụng cụ ở gần lửa hoặc nơi quá nhiệt.** Tiếp xúc với lửa hoặc nhiệt độ cao trên 130°C có thể gây nổ.
- ▶ **Tuân thủ tất cả các hướng dẫn nạp và không nạp bộ pin hay dụng cụ ở bên ngoài phạm vi nhiệt độ đã được quy định trong các hướng dẫn.** Nạp không đúng cách hoặc ở nhiệt độ ngoài phạm vi nạp đã quy định có thể làm hư hại pin và gia tăng nguy cơ cháy.

Bảo dưỡng

- ▶ **Đưa dụng cụ điện cầm tay của bạn đến thợ chuyên môn để bảo dưỡng, chỉ sử dụng phụ tùng đúng chủng loại để thay.** Điều này sẽ đảm bảo sự an toàn của máy được giữ nguyên.
- ▶ **Không bao giờ sửa chữa các bộ pin đã hư hại.** Chỉ cho phép nhà sản xuất hoặc các nhà cung cấp dịch vụ có ủy quyền thực hiện dịch vụ sửa chữa cho các bộ pin.

Hướng dẫn an toàn cho các loại Cưa Long

- ▶ **Chỉ cầm dụng cụ điện tại các bề mặt cầm nắm có cách điện, khi thực hiện một thao tác tại vị trí mà phụ kiện cắt có thể tiếp xúc với dây điện ngầm.** Phụ kiện cắt tiếp xúc với dây có điện có thể làm cho các phần kim loại hở của dụng cụ điện cầm tay có điện và có thể gây ra điện giật cho người vận hành.

- ▶ **Sử dụng các kẹp hoặc cách thực tiễn khác để cố định và đỡ phôi gia công vào sàn thao tác cố định.** Việc cầm phôi gia công bằng tay hoặc tựa người vào phôi gia công làm cho nó dễ đổ và có thể dẫn đến mất kiểm soát.
- ▶ **Đề tay tránh xa khỏi phạm vi cắt. Không được tiếp chạm với phần bên dưới vật gia công.** Tiếp xúc với lưỡi cưa có thể dẫn đến việc bị thương tích.
- ▶ **Giữ máy thật chắc bằng cả hai tay trong khi làm việc và luôn luôn giữ tư thế đứng cho thích hợp và cân bằng.** Dùng hai tay để điều khiển máy thì an toàn hơn.
- ▶ **Chỉ cho máy gia công vật liệu khi máy đã hoạt động.** Nếu không làm vậy thì sẽ có nguy cơ bị giật ngược do dụng cụ cắt bị kẹp chặt trong vật gia công.
- ▶ **Đảm bảo rằng, để đĩa luôn nằm trên phôi gia công trong khi cưa.** Lưỡi cưa có thể bị kẹp chặt dẫn đến việc dụng cụ điện cầm tay bị mất điều khiển.
- ▶ **Khi đã cắt xong, tắt máy và sau đó rút lưỡi cưa ra khỏi mạch cắt chỉ sau khi lưỡi cưa đã ngừng chuyển động hoàn toàn.** Thực hiện như vậy bạn có thể tránh được sự giật ngược và có thể đặt máy xuống một cách an toàn.
- ▶ **Luôn luôn đợi cho máy hoàn toàn ngừng hẳn trước khi đặt xuống.** Dụng cụ lắp vào máy có thể bị kẹp chặt dẫn đến việc dụng cụ điện cầm tay bị mất điều khiển.
- ▶ **Chỉ sử dụng lưỡi cưa còn nguyên vẹn, có tình trạng hoàn hảo.** Lưỡi cưa bị cong hay cùn có thể bị gãy, ảnh hưởng xấu đến sự cắt, và có thể gây ra sự dội ngược.
- ▶ **Không được hãm lưỡi cưa cho dừng lại bằng cách tạo lực ép lên hông lưỡi cưa sau khi tắt máy.** Lưỡi cưa có thể bị hỏng, gãy hay gây ra giật ngược.
- ▶ **Hãy kẹp chặt vật liệu.** Không đỡ phôi gia công bằng tay hoặc bằng chân. Không chạm vào đồ vật hoặc mặt đất có cưa đang chạy. Có nguy cơ dội ngược lại.
- ▶ **Dùng thiết bị dò tìm thích hợp để xác định nếu có các công trình công cộng lắp đặt ngầm trong khu vực làm việc hay liên hệ với Cty công trình công cộng địa phương để nhờ hỗ trợ.** Đụng chạm đường dẫn điện có thể gây ra hỏa hoạn và điện giật. Làm hư hại đường dẫn khí ga có thể gây nổ. Làm thủng ống dẫn nước có thể làm hư hại tài sản hay có thể gây ra điện giật.
- ▶ **Trong trường hợp pin bị hỏng hay sử dụng sai cách, hơi nước có thể bốc ra. Pin có thể cháy hoặc nổ.** Hãy làm cho thông thoáng khí và trong trường hợp bị đau phải nhờ y tế chữa trị. Hơi nước có thể gây ngứa hệ hô hấp.

- ▶ **Không được tháo pin ra.** Nguy cơ bị chập mạch.
- ▶ **Pin có thể bị hư hại bởi các vật dụng nhọn như đinh hay tuốc-nơ-vít hoặc bởi các tác động lực từ bên ngoài.** Nó có thể dẫn tới đoản mạch nội bộ và làm pin bị cháy, bốc khói, phát nổ hoặc quá nóng.
- ▶ **Chỉ sử dụng pin trong các sản phẩm của nhà sản xuất.** Chỉ bằng cách này, pin sẽ được bảo vệ tránh nguy cơ quá tải.



Bảo vệ pin không để bị làm nóng, ví dụ, chống để lâu dài dưới ánh nắng gay gắt, lửa, chất bẩn, nước, và sự ẩm ướt. Có nguy cơ nổ và chập mạch.



Mô Tả Sản Phẩm và Đặc Tính Kỹ Thuật



Đọc kỹ mọi cảnh báo an toàn và mọi hướng dẫn. Không tuân thủ mọi cảnh báo và hướng dẫn được liệt kê dưới đây có thể bị điện giật, gây cháy và / hay bị thương tật nghiêm trọng.

Xin lưu ý các hình minh họa trong phần trước của hướng dẫn vận hành.

Sử dụng đúng cách

Máy được thiết kế để cưa gỗ, nhựa mủ, kim loại và vật liệu xây dựng khi còn nằm dính chắc trên vật liệu gia công. Máy cũng thích hợp để cắt các đường thẳng và cong. Khi sử dụng lưỡi cưa lưỡng kim thích hợp, máy có thể cắt ngang bằng mặt vật gia công. Phải tuân thủ theo loại lưỡi cưa đã được khuyến nghị.

Các bộ phận được minh họa

Sự đánh số các biểu trưng của sản phẩm là để tham khảo hình minh họa của máy trên trang hình ảnh.

- (1) Lưỡi cưa^{a)}
- (2) Đế đĩa
- (3) Ổng bọc khóa cho lưỡi cưa
- (4) Pin^{a)}
- (5) Nút nhả khóa của công tắc Tắt/Mở
- (6) Công tắc Tắt/Mở
- (7) Đèn làm việc
- (8) Nút tháo pin^{a)}
- (9) Tay nắm (có bề mặt nắm cách điện)
- (10) Bộ phận gắn lưỡi cưa

- a) **Phụ tùng được trình bày hay mô tả không phải là một phần của tiêu chuẩn hàng hóa được giao kèm theo sản phẩm. Bạn có thể tham khảo tổng thể các loại phụ tùng, phụ kiện trong chương trình phụ tùng của chúng tôi.**

Thông số kỹ thuật

Cửa kiểm	GSA 18 V-Li C	
Mã số máy		3 601 FA5 0..
Điện thế danh định	V=	18
Tần suất nhịp chạy không tải n _c ^{A)}	min ⁻¹	0–3050
Phần lắp dụng cụ		SDS
Nhịp chạy	mm	21
Công suất cắt tối đa		
– Ổ gỗ	mm	200
– Ổ thép (không hợp kim)	mm	16
– Đường kính ống	mm	100
Trọng lượng theo EPTA-Procedure 01:2014	kg	2,3–3,3 ^{B)}
Nhiệt độ môi trường được khuyến nghị khi sạc	°C	0 ... +35
Nhiệt độ môi trường cho phép trong quá trình vận hành ^{C)} và trong quá trình lưu trữ	°C	-20 ... +50
Pin được khuyến dùng		GBA 18V... ProCORE18V...
Thiết bị nạp được giới thiệu		GAL 18... GAX 18... GAL 36...

A) Được đo ở 20–25 °C với pin **GBA 18V 4.0Ah**.

B) tùy vào loại pin lốc đang sử dụng

C) hiệu suất giới hạn ở nhiệt độ <0 °C

Pin

Sạc pin

- ▶ **Chỉ sử dụng bộ sạc được đề cập trong dữ liệu kỹ thuật.** Chỉ những bộ sạc này phù hợp cho dụng cụ điện cầm tay của bạn có sử dụng pin Li-Ion.

Hướng dẫn: Pin Lithium-ion được giao một phần do các quy định vận tải quốc tế. Để bảo đảm đầy đủ điện dung, nạp điện hoàn toàn lại cho pin trước khi sử dụng cho lần đầu tiên.

Lắp pin

Hãy đẩy pin đã sạc vào giá gắn pin cho đến khi nó vào khớp.


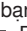
Tháo pin ra

Để tháo pin bạn hãy ấn nút mở khóa pin và kéo pin ra. **Không dùng sức.**

Pin có 2 mức khóa, có nhiệm vụ ngăn ngừa pin bị rơi ra do vô ý bấm phải nút tháo pin. Cứ khi nào pin còn được lắp trong dụng cụ điện, nó vẫn được giữ nguyên vị trí nhờ vào một lò xo.

Đèn báo trạng thái nạp pin

Các đèn LED màu xanh của màn hình hiển thị tình trạng sạc pin chỉ ra tình trạng sạc của pin. Vì lý do an toàn, ta chỉ có thể kiểm tra trạng thái của tình trạng nạp điện khi máy đã ngừng hoạt động hoàn toàn.

Để hiển thị tình trạng nạp, bạn hãy nhấn nút để hiển thị mức sạc  hoặc . Điều này cũng có thể thực hiện khi ắc quy được tháo ra.

Đèn LED không sáng sau khi nhấn nút để hiển thị mức sạc có nghĩa là pin bị hỏng và phải được thay thế.

Kiểu pin GBA 18V...



LED	Điện dung
Đèn sáng liên tục 3x màu xanh lá	60–100 %
Đèn sáng liên tục 2x màu xanh lá	30–60 %
Đèn sáng liên tục 1x màu xanh lá	5–30 %
Đèn nhấp nháy 1x màu xanh lá	0–5 %

Kiểu pin ProCORE18V...



LED	Điện dung
Đèn sáng liên tục 5x màu xanh lá	80–100 %
Đèn sáng liên tục 4x màu xanh lá	60–80 %
Đèn sáng liên tục 3x màu xanh lá	40–60 %
Đèn sáng liên tục 2x màu xanh lá	20–40 %
Đèn sáng liên tục 1x màu xanh lá	5–20 %
Đèn nhấp nháy 1x màu xanh lá	0–5 %

Các Khuyến Nghị về Cách Bảo Dưỡng Tốt Nhất cho Pin

Bảo vệ pin hợp khối tránh sự ẩm ướt và nước. Chỉ bảo quản pin trong tầm nhiệt độ nằm giữa -20°C và 50°C . Không để pin trong ô tô vào mùa hè.

Thỉnh thoảng làm sạch các khe thông gió của pin bằng cách dùng một cái cọ khô, mềm và sạch.

Sự giảm sút đáng kể thời gian hoạt động sau khi nạp điện chỉ rõ rằng pin hợp khối đã hết công dụng và phải được thay.

Quy trình hoạt động được chia ra làm hai giai đoạn.

Sự lắp vào

- ▶ Trước khi tiến hành bất cứ công việc gì với máy (ví dụ bảo dưỡng, thay dụng cụ v.v...) cũng như khi vận chuyển hay lưu kho, tháo pin ra khỏi dụng cụ điện. Có nguy cơ gây

thương tích khi vô tình làm kích hoạt công tắc Tắt/Mở.

Thay/Lắp Lưỡi Cưa

- ▶ **Hãy mang găng tay bảo hộ khi lắp ráp hoặc thay dụng cụ.** Dụng cụ có cạnh sắc và có thể nóng khi sử dụng lâu.
- ▶ **Khi thay lưỡi cưa, bảo đảm rằng bộ phận gắn lưỡi cưa không bị mọt cắn vật liệu bám vào, v. d. vỏ bảo gỗ hay kim loại.**

Chọn Lưỡi Cưa

Bạn sẽ tìm thấy một tổng quan các lưỡi cưa khuyến nghị ở cuối hướng dẫn vận hành. Chỉ sử dụng lưỡi cưa có trục đa năng 1/2". Lưỡi cưa không nên dài hơn mức cần thiết đối với dự kiến cắt.

Lắp lưỡi cưa vào (xem Hình A)

Xoay ống bọc khóa (3) khoảng 90° theo hướng mũi tên và giữ chặt. Hãy ấn lưỡi cưa (1) vào khe lưỡi cưa (10). Hãy nhả ống bọc khóa.

- ▶ **Kéo lưỡi cưa để kiểm tra độ chắc chắn.** Lưỡi cưa gắn vào còn lỏng có thể rơi ra và gây thương tích.

Để thực hiện một số công việc nhất định, có thể xoay lưỡi cưa (1) 180° (răng cưa hướng lên trên) và sử dụng tiếp.

Tháo lưỡi cưa (xem Hình B)

- ▶ **Đợi lưỡi cưa nguội trước khi tháo ra.** Có nguy cơ bị phỏng khi chạm vào lưỡi cưa còn nóng. Xoay ống bọc khóa (3) khoảng 90° theo hướng mũi tên và giữ chặt. Tháo lưỡi cưa (1).

Hút Dặm/Bụi

Mặt bụi từ các vật liệu được sơn phủ ngoài có chứa chì trên một số loại gỗ, khoáng vật và kim loại có thể gây nguy hại đến sức khỏe con người. Đụng chạm hay hít thở các bụi này có thể làm người sử dụng hay đứng gần bị dị ứng và/hoặc gây nhiễm trùng hệ hô hấp.

Một số mặt bụi cụ thể, ví dụ như bụi gỗ sợi hay dàu, được xem là chất gây ung thư, đặc biệt là có liên quan đến các chất phụ gia dùng xử lý gỗ (chất cromat, chất bảo quản gỗ). Có thể chỉ nên để thợ chuyên môn gia công các loại vật liệu có chứa amiăng.

- Tạo không khí thông thoáng nơi làm việc.
- Khuyến nghị nên mang mặt nạ phòng độc có bộ lọc cấp P2.

Tuân thủ các qui định của quốc gia bạn liên quan đến loại vật liệu gia công.

- ▶ **Tránh không để rác tích tụ tại nơi làm việc.** Rác có thể dễ dàng bắt lửa.

Vận Hành

Bắt Đầu Vận Hành

Tắt/Mở (xem Hình C)

Để **mở** dụng cụ điện hãy nhấn khóa an toàn (5) sang trái. Sau đó hãy nhấn công tắc Tắt/Mở (6) và nhấn giữ.

Đèn làm việc bật sáng khi công tắc Tắt/Mở được nhấn nhẹ hoặc nhấn hết cỡ (6) và cho phép chiếu sáng khu vực làm việc ở các điều kiện chiếu sáng kém.

Để **tắt** dụng cụ điện cầm tay hãy nhả công tắc Tắt/Mở (6). Sau đó bạn lại nhấn khóa an toàn (5) về bên phải.

Kiểm Soát Tần Suất Nhịp Chạy

Bạn có thể điều tiết liên tục tốc độ nhịp chạy của dụng cụ điện đã bật, tùy vào việc bạn nhấn công tắc Tắt/Mở như thế nào (6).

Bấm nhẹ công tắc bật/tắt (6) sẽ cho tốc độ nhịp của chậm. Tăng lực bóp cũng là làm tăng tần suất nhịp chạy.

Tần suất nhịp chạy cần có tốt nhất tùy thuộc vào loại vật liệu và điều kiện làm việc và có thể xác định thông qua việc chạy thử thực tế.

Khuyến nghị nên làm giảm tần suất nhịp chạy khi lưỡi cưa bắt đầu ăn vào vật liệu cũng như khi cưa nhựa mù hay nhôm.

Sau một thời gian dài vận hành với tần suất nhịp chạy thấp, máy có thể bị nóng lên đáng kể. Tháo lưỡi cưa ra khỏi máy và làm cho máy nguội xuống bằng cách cho chạy với tần suất nhịp chạy tối đa trong khoảng 3 phút.

Hướng Dẫn Sử Dụng

► **Trước khi tiến hành bất cứ công việc gì với máy (ví dụ bảo dưỡng, thay dụng cụ v.v..) cũng như khi vận chuyển hay lưu kho, tháo pin ra khỏi dụng cụ điện.** Có nguy cơ gây thương tích khi vô tình làm kích hoạt công tắc Tắt/Mở.

► **Tắt dụng cụ điện ngay nếu lưỡi cưa bị chặn.**

Mách nước

► **Khi cưa các loại vật liệu xây dựng nhẹ, tuân thủ các điều luật đã được qui định cũng như các khuyến cáo của nhà cung cấp vật liệu.**

Kiểm tra phát hiện dị vật như kim, ốc vít các loại trước khi cưa trên gỗ thịt, gỗ ép, vật liệu xây dựng v.v. và sử dụng một lưỡi cưa phù hợp.

Cho máy hoạt động và đưa thẳng vào vật gia công. Đặt đế đĩa (2) lên bề mặt vật gia công và cưa vật liệu với lực ấn và lực đẩy đều tay. Sau khi hoàn tất công đoạn gia công, tắt máy.

Nếu giả như lưỡi cưa bị kẹp chặt, tắt máy ngay lập tức. Mở rộng miệng cắt vừa đủ bằng một dụng cụ thích hợp và kéo máy ra.

Cắt xọc (xem Hình D)

► **Chỉ được gia công các vật liệu mềm như gỗ, tấm vữa trong quy trình cưa chìm! Không được áp dụng qui trình cắt xọc với vật liệu là kim loại!**

Để cắt xọc, chỉ sử dụng lưỡi cưa ngắn.

Hãy đặt dụng cụ chạy điện với cạnh trước của đế đĩa (2) lên chi tiết gia công mà không để lưỡi cưa (1) chạm vào chi tiết đó rồi bật dụng cụ. Đối với dụng cụ điện có bộ phận kiểm soát tốc độ nhịp chạy, chỉnh đặt ở tốc độ nhịp chạy tối đa. Khiến dẫn dụng cụ điện thật chắc tay xuống vật gia công và để cho lưỡi cưa từ từ đâm xọc vào vật gia công. Ngay khi đế đĩa (2) gần chạm vào dụng cụ, hãy cưa tiếp dọc theo đường cắt mong muốn.

Để thực hiện một số công việc nhất định (1), có thể sử dụng lưỡi cưa xoay 180° và đưa dụng cụ điện xoay theo tương ứng.

Để thực hiện một số công việc nhất định (1), có thể sử dụng lưỡi cưa xoay 180° và đưa dụng cụ điện xoay theo tương ứng.

Cắt bằng mặt (xem hình E)

Với lưỡi cưa lưỡng kim đàn hồi, có thể cưa được các chi tiết xây dựng nhôm ra, ví dụ như ống nước, trực tiếp trên tường.

► **Hãy đảm bảo rằng lưỡi cưa luôn dài hơn đường kính của phôi gia công cần xử lý. Có nguy cơ dội ngược lại.**

Đặt lưỡi cưa trực tiếp dựa lên trên tường và tạo lực đè ngang lên dụng cụ cho đến khi bàn chặn tựa vào tường. Cho dụng cụ điện hoạt động và cưa xuyên ngang vật gia công, giữ đều tay áp lực ngang.

Dung dịch làm mát/Bôi trơn

Khí cưa kim loại vật liệu gia công bị nóng lên, do đó; nên bôi dung dịch làm mát/bôi trơn dọc theo đường cắt.

Bảo Dưỡng và Bảo Quản

Bảo Dưỡng Và Làm Sạch

► **Trước khi tiến hành bất cứ công việc gì với máy (ví dụ bảo dưỡng, thay dụng cụ v.v..) cũng như khi vận chuyển hay lưu kho, tháo pin ra khỏi dụng cụ điện.** Có nguy cơ gây thương tích khi vô tình làm kích hoạt công tắc Tắt/Mở.

► **Để được an toàn và máy hoạt động đúng chức năng, luôn luôn giữ máy và các khe thông gió được sạch.**

Làm sạch phần tiếp nhận lưỡi cưa bằng cọ mềm.

Tháo lưỡi cưa ra khỏi dụng cụ điện để thực hiện việc làm sạch này. Hãy giữ phần tiếp nhận lưỡi cưa có thể vận hành bằng cách sử dụng chất bôi trơn phù hợp.

Máy bị quá dơ có thể làm cho sự hoạt động bị trục trặc. Không cưa các vật liệu sinh nhiều bụi từ bên dưới hoặc phía trên đầu.

Dịch vụ hỗ trợ khách hàng và tư vấn sử dụng

Bộ phận phục vụ hàng sau khi bán của chúng tôi trả lời các câu hỏi liên quan đến việc bảo dưỡng và sửa chữa các sản phẩm cũng như phụ tùng thay thế của bạn. Sơ đồ mô tả và thông tin về phụ tùng thay thế cũng có thể tra cứu theo dưới đây:

www.bosch-pt.com

Đội ngũ tư vấn sử dụng của Bosch sẽ giúp bạn giải đáp các thắc mắc về sản phẩm và phụ kiện.

Trong tất cả các phản hồi và đơn đặt phụ tùng, xin vui lòng luôn luôn nhập số hàng hóa 10 chữ số theo nhãn của hàng hóa.

Việt Nam

CN CÔNG TY TNHH BOSCH VIỆT NAM TẠI

TP.HCM

Tầng 14, Ngôi Nhà Đức, 33 Lê Duẩn

Phường Bến Nghé, Quận 1, Thành Phố Hồ Chí Minh

Tel.: (028) 6258 3690

Fax: (028) 6258 3692 - 6258 3694

Hotline: (028) 6250 8555

Email: tuvankhachhang-pt@vn.bosch.com

www.bosch-pt.com.vn

www.baohanhbosch-pt.com.vn

Xem thêm địa chỉ dịch vụ tại:

www.bosch-pt.com/serviceaddresses

Vận chuyển

Pin Li-Ion được khuyến nghị là đối tượng phải tuân theo các quy định của Pháp Luật về Hàng Hóa Nguy Hiểm. Người sử dụng có thể vận chuyển pin hợp khối bằng đường bộ mà không cần thêm yêu cầu nào khác.

Khi được vận chuyển thông qua bên thứ ba (vd. vận chuyển bằng đường hàng không hay đại lý giao nhận), phải tuân theo các yêu cầu đặc biệt về đóng gói và dán nhãn. Phải tham vấn chuyên gia về hàng hóa nguy hiểm khi chuẩn bị gói hàng.

Chỉ gửi pin hợp khối khi vỏ ngoài không bị hư hỏng. Dán băng keo hay che kín các điểm tiếp xúc hở và đóng gói pin hợp khối theo cách sao cho pin không thể xê dịch khi nằm trong bao bì. Ngoài ra, xin vui lòng chấp hành các quy định chi tiết có thể được bổ sung thêm của quốc gia.

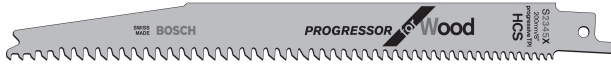
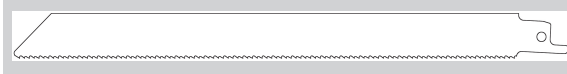
Sự thải bỏ



Dụng cụ điện, pin, phụ kiện và bao bì cần được tái sử dụng theo quy định về môi trường.



Bạn không được ném dụng cụ điện và pin vào thùng rác gia đình!



HCS High carbon steel 



BIM Bi-Metal 






BIM Bi-Metal 



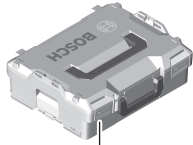
BIM Bi-Metal  



BIM Bi-Metal   



HM Hard-Metal  



L-BOXX 136
1 600 A00 1RR