



GSB 600 Professional



Robert Bosch Power Tools GmbH
70538 Stuttgart
GERMANY

www.bosch-pt.com

1 609 92A 89B (2022.12) 0 / 13

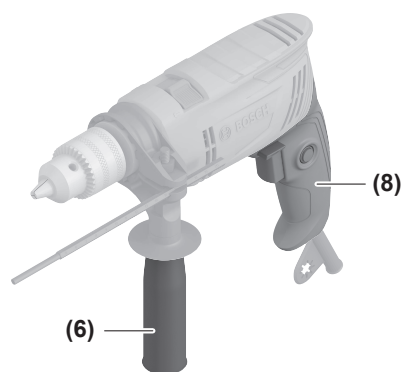
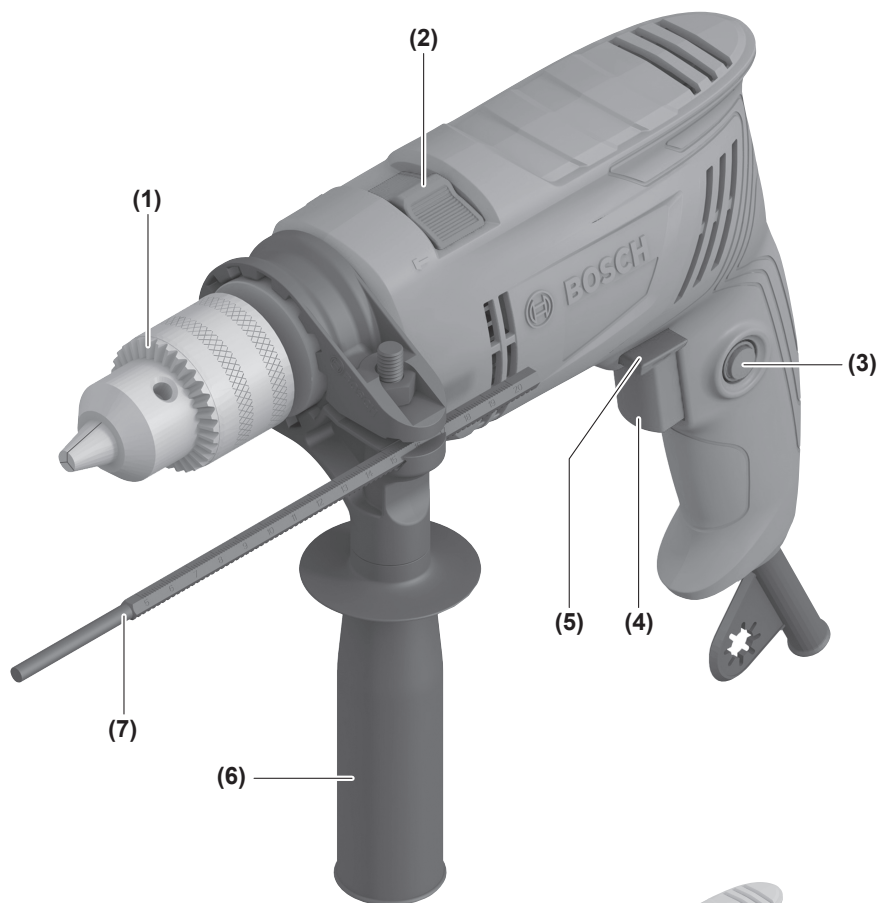


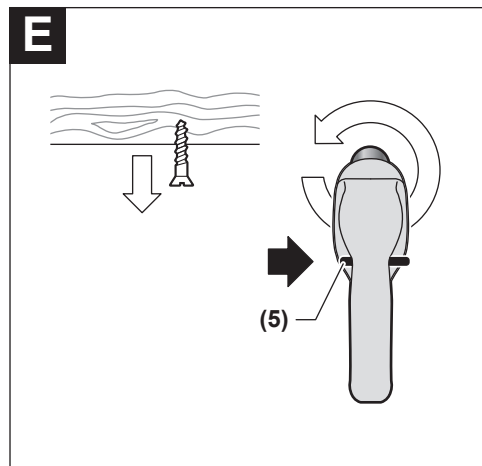
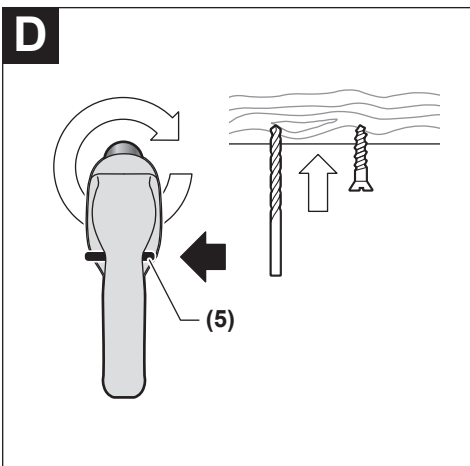
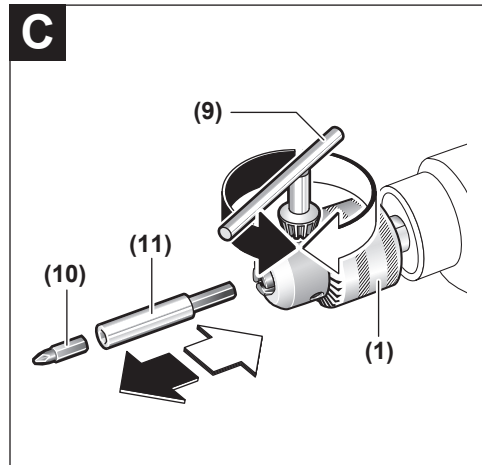
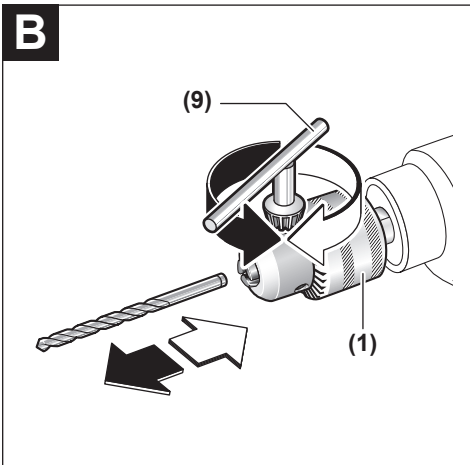
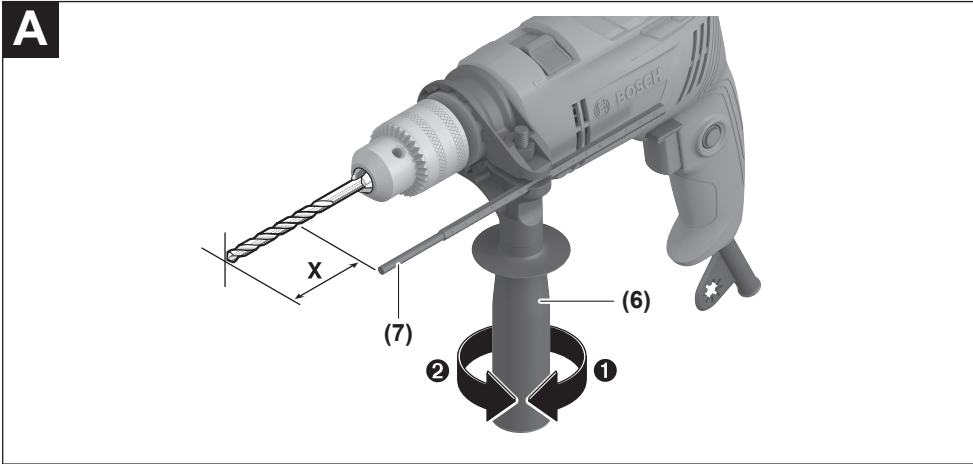
1 609 92A 89B

en Original instructions
hi मूल ऑपरेटिंग मैनुअल



English	Page	5
हिंदी	पेज	9





English

Safety Instructions

General Power Tool Safety Warnings

⚠ WARNING Read all safety warnings, instructions, illustrations and specifications provided with this power tool. Failure to follow all instructions listed below may result in electric shock, fire and/or serious injury.

Save all warnings and instructions for future reference.

The term "power tool" in the warnings refers to your mains-operated (corded) power tool or battery-operated (cordless) power tool.

Work area safety

- ▶ **Keep work area clean and well lit.** Cluttered or dark areas invite accidents.
- ▶ **Do not operate power tools in explosive atmospheres, such as in the presence of flammable liquids, gases or dust.** Power tools create sparks which may ignite the dust or fumes.
- ▶ **Keep children and bystanders away while operating a power tool.** Distractions can cause you to lose control.

Electrical safety

- ▶ **Power tool plugs must match the outlet. Never modify the plug in any way. Do not use any adapter plugs with earthed (grounded) power tools.** Unmodified plugs and matching outlets will reduce risk of electric shock.
- ▶ **Avoid body contact with earthed or grounded surfaces, such as pipes, radiators, ranges and refrigerators.** There is an increased risk of electric shock if your body is earthed or grounded.
- ▶ **Do not expose power tools to rain or wet conditions.** Water entering a power tool will increase the risk of electric shock.
- ▶ **Do not abuse the cord. Never use the cord for carrying, pulling or unplugging the power tool. Keep cord away from heat, oil, sharp edges or moving parts.** Damaged or entangled cords increase the risk of electric shock.
- ▶ **When operating a power tool outdoors, use an extension cord suitable for outdoor use.** Use of a cord suitable for outdoor use reduces the risk of electric shock.
- ▶ **If operating a power tool in a damp location is unavoidable, use a residual current device (RCD) protected supply.** Use of an RCD reduces the risk of electric shock.

Personal safety

- ▶ **Stay alert, watch what you are doing and use common sense when operating a power tool. Do not use a power tool while you are tired or under the influence of drugs, alcohol or medication.** A moment of inatten-

tion while operating power tools may result in serious personal injury.

- ▶ **Use personal protective equipment. Always wear eye protection.** Protective equipment such as a dust mask, non-skid safety shoes, hard hat or hearing protection used for appropriate conditions will reduce personal injuries.
- ▶ **Prevent unintentional starting. Ensure the switch is in the off-position before connecting to power source and/or battery pack, picking up or carrying the tool.** Carrying power tools with your finger on the switch or energising power tools that have the switch on invites accidents.
- ▶ **Remove any adjusting key or wrench before turning the power tool on.** A wrench or a key left attached to a rotating part of the power tool may result in personal injury.
- ▶ **Do not overreach. Keep proper footing and balance at all times.** This enables better control of the power tool in unexpected situations.
- ▶ **Dress properly. Do not wear loose clothing or jewellery. Keep your hair and clothing away from moving parts.** Loose clothes, jewellery or long hair can be caught in moving parts.
- ▶ **If devices are provided for the connection of dust extraction and collection facilities, ensure these are connected and properly used.** Use of dust collection can reduce dust-related hazards.
- ▶ **Do not let familiarity gained from frequent use of tools allow you to become complacent and ignore tool safety principles.** A careless action can cause severe injury within a fraction of a second.

Power tool use and care

- ▶ **Do not force the power tool. Use the correct power tool for your application.** The correct power tool will do the job better and safer at the rate for which it was designed.
- ▶ **Do not use the power tool if the switch does not turn it on and off.** Any power tool that cannot be controlled with the switch is dangerous and must be repaired.
- ▶ **Disconnect the plug from the power source and/or remove the battery pack, if detachable, from the power tool before making any adjustments, changing accessories, or storing power tools.** Such preventive safety measures reduce the risk of starting the power tool accidentally.
- ▶ **Store idle power tools out of the reach of children and do not allow persons unfamiliar with the power tool or these instructions to operate the power tool.** Power tools are dangerous in the hands of untrained users.
- ▶ **Maintain power tools and accessories. Check for misalignment or binding of moving parts, breakage of parts and any other condition that may affect the power tool's operation. If damaged, have the power tool repaired before use.** Many accidents are caused by poorly maintained power tools.

- ▶ **Keep cutting tools sharp and clean.** Properly maintained cutting tools with sharp cutting edges are less likely to bind and are easier to control.
- ▶ **Use the power tool, accessories and tool bits etc. in accordance with these instructions, taking into account the working conditions and the work to be performed.** Use of the power tool for operations different from those intended could result in a hazardous situation.
- ▶ **Keep handles and grasping surfaces dry, clean and free from oil and grease.** Slippery handles and grasping surfaces do not allow for safe handling and control of the tool in unexpected situations.

Service

- ▶ **Have your power tool serviced by a qualified repair person using only identical replacement parts.** This will ensure that the safety of the power tool is maintained.

Safety Warnings for Drills

Safety instructions for all operations

- ▶ **Wear ear protectors when impact drilling.** Exposure to noise can cause hearing loss.
- ▶ **Use the auxiliary handle(s).** Loss of control can cause personal injury.
- ▶ **Hold the power tool by insulated gripping surfaces, when performing an operation where the cutting accessory or fasteners may contact hidden wiring or its own cord.** Cutting accessory or fasteners contacting a "live" wire may make exposed metal parts of the power tool "live" and could give the operator an electric shock.

Safety instructions when using long drill bits

- ▶ **Never operate at higher speed than the maximum speed rating of the drill bit.** At higher speeds, the bit is likely to bend if allowed to rotate freely without contacting the workpiece, resulting in personal injury.
- ▶ **Always start drilling at low speed and with the bit tip in contact with the workpiece.** At higher speeds, the bit is likely to bend if allowed to rotate freely without contacting the workpiece, resulting in personal injury.
- ▶ **Apply pressure only in direct line with the bit and do not apply excessive pressure.** Bits can bend causing breakage or loss of control, resulting in personal injury.

Additional safety warnings

- ▶ **Switch the power tool off immediately if the application tool becomes blocked. Be prepared for high torque reactions which cause kickback.** The application tool becomes blocked when it becomes jammed in the workpiece or when the power tool becomes overloaded.
- ▶ **Hold the power tool securely.** When tightening and loosening screws be prepared for temporarily high torque reactions.
- ▶ **Secure the workpiece.** A workpiece clamped with clamping devices or in a vice is held more secure than by hand.

- ▶ **Use suitable detectors to determine if utility lines are hidden in the work area or call the local utility company for assistance.** Contact with electric lines can lead to fire and electric shock. Damaging a gas line can lead to explosion. Penetrating a water line causes property damage or may cause an electric shock.
- ▶ **Always wait until the power tool has come to a complete stop before placing it down.** The application tool can jam and cause you to lose control of the power tool.

Products sold in GB only:

Your product is fitted with an BS 1363/A approved electric plug with internal fuse (ASTA approved to BS 1362).

If the plug is not suitable for your socket outlets, it should be cut off and an appropriate plug fitted in its place by an authorised customer service agent. The replacement plug should have the same fuse rating as the original plug.

The severed plug must be disposed of to avoid a possible shock hazard and should never be inserted into a mains socket elsewhere.

Product Description and Specifications



Read all the safety and general instructions.

Failure to observe the safety and general instructions may result in electric shock, fire and/or serious injury.

Please observe the illustrations at the beginning of this operating manual.

Intended Use

The power tool is intended for impact drilling in brick, concrete and stone, as well as for drilling in wood, metal, ceramic and plastic. Tools with electronic control and right/left rotation are also suitable for screwdriving and thread cutting.

Product features

The numbering of the product features refers to the diagram of the power tool on the graphics page.

- (1) Keyed chuck
- (2) "Drilling/impact drilling" selector switch
- (3) Lock-on button for on/off switch
- (4) On/off switch
- (5) Rotational direction switch
- (6) Auxiliary handle (insulated gripping surface)
- (7) Depth stop
- (8) Handle (insulated gripping surface)
- (9) Chuck key
- (10) Screwdriver bit^{a)}
- (11) Universal bit holder^{a)}

a) **Accessories shown or described are not included with the product as standard. You can find the complete selection of accessories in our accessories range.**

Technical data

Impact drill		GSB 600
Article number		3 601 AA0 3..
Rated power input	W	600
Power output	W	300
No-load speed	min ⁻¹	0–3000
Impact rate at no-load speed	min ⁻¹	0–48000
Rated torque	Nm	1.4
Clockwise/anticlockwise rotation		●
Spindle collar diameter	mm	43
Max. drilling diameter		
– Concrete	mm	13
– Masonry	mm	13
– Steel	mm	10
– Wood	mm	25
Chuck capacity	mm	1.5–13
Weight according to EPTA-Procedure 01:2014	kg	1.7
Protection class		□/II

The specifications apply to a rated voltage [U] of 230 V. These specifications may vary at different voltages and in country-specific models.

Assembly

- ▶ **Pull the plug out of the socket before carrying out any work on the power tool.**

Auxiliary handle (see figure A)

- ▶ **Do not operate your power tool without the auxiliary handle (6).**

You can adjust the auxiliary handle (6) to any of 12 positions in order to achieve a safe work posture that minimises fatigue.

Turn the lower gripping end of the auxiliary handle (6) in rotational direction ① and push the auxiliary handle (6) forward until you can swivel it into the required position. Then pull the auxiliary handle (6) back again and turn the lower gripping end in rotational direction ② to tighten it.

Setting the drilling depth (see figure A)

You can use the depth stop (7) to set the required drilling depth X.

Turn the lower gripping end of the auxiliary handle (6) anti-clockwise and set the depth stop (7).

Pull the depth stop (7) far enough out that the distance between the drill bit tip and the edge of the depth stop (7) corresponds to the required drilling depth X.

Then turn the lower gripping end of the auxiliary handle (6) clockwise to retighten it.

The fluting on the depth stop (7) must face downwards.

Changing the Tool

- ▶ **Wear protective gloves when changing tools.** The drill chuck may heat up significantly when it is used for long periods.

Keyed chuck (see figure B)

Open the keyed chuck (1) by turning it until the tool can be inserted. Insert the tool.

Insert the drill chuck key (9) into the corresponding holes of the keyed chuck (1) and clamp the tool evenly.

Screwdriving tools (see figure C)

You should always use a universal bit holder (11) when using screwdriver bits (10). Only use screwdriver bits that fit the screw head.

For screwdriving, make sure the "drilling/impact drilling" selector switch (2) is always set to the "drilling" symbol.

Dust/Chip Extraction

Dust from materials such as lead-containing coatings, some wood types, minerals and metal can be harmful to one's health. Touching or breathing-in the dust can cause allergic reactions and/or lead to respiratory infections of the user or bystanders.

Certain dust, such as oak or beech dust, is considered carcinogenic, especially in connection with wood-treatment additives (chromate, wood preservative). Materials containing asbestos may only be worked by specialists.

- Provide for good ventilation of the working place.
- It is recommended to wear a P2 filter-class respirator.

Observe the relevant regulations in your country for the materials to be worked.

- ▶ **Avoid dust accumulation at the workplace.** Dust can easily ignite.

Changing the drill chuck

- ▶ If your power tool does not have a drill spindle locking mechanism, you must have the drill chuck changed by an authorised after-sales service centre for **Bosch** power tools.



The drill chuck must be tightened using a tightening torque of approx. 30–35 Nm.

Operation

Starting Operation

- ▶ **Pay attention to the mains voltage.** The voltage of the power source must match the voltage specified on the rating plate of the power tool.
- ▶ **Products that are only sold in AUS and NZ:** Use a residual current device (RCD) with a nominal residual current of 30 mA or less.

Setting the rotational direction (see figure D – E)

- ▶ **Only operate the rotational direction switch (5) when the power tool is not in use.**

The rotational direction switch (5) is used to change the rotational direction of the power tool. However, this is not possible while the on/off switch (4) is being pressed.

Right rotation: To drill and to drive in screws, press the rotational direction switch (5) through to the left stop.

Left Rotation: To loosen and unscrew screws and nuts, press the rotational direction switch (5) through to the right stop.

Setting the Operating Mode



Drilling and screwdriving

Set the selector switch (2) to the "drilling" symbol.



Impact drilling

Set the selector switch (2) to the "impact drilling" symbol.

The selector switch (2) clicks into place and can also be actuated when the motor is running.

Switching on/off

To **start** the power tool, press and hold the on/off switch (4).

Press the lock-on button (3) to **lock** the on/off switch (4) in this position.

To **switch off** the power tool, release the on/off switch (4); or, if the switch is locked with the lock-on button (3), briefly press the on/off switch (4) and then release it.

Adjusting the Speed/Impact Rate

You can adjust the speed/impact rate of the power tool when it is on by pressing in the on/off switch (4) to varying extents.

Applying light pressure to the on/off switch (4) results in a low rotational speed/impact rate. Applying increasing pressure to the switch increases the speed/impact rate.

Practical Advice

► **Pull the plug out of the socket before carrying out any work on the power tool.**

► **Only apply the power tool to the screw/nut when the tool is switched off.** Rotating tool inserts can slip off.

After working at a low speed for an extended period, you should operate the power tool at the maximum speed for approximately three minutes without load to cool it down.

To drill into tiles, set the selector switch (2) to the "drilling" symbol. After drilling through the tile, set the selector switch to the "impact drilling" symbol and drill with impact.

Use carbide drill bits when working with concrete, stone and masonry.

When drilling into metal, only use sharpened HSS drills (HSS = high-speed steel) which are in perfect condition. The **Bosch** accessory range guarantees appropriate quality.

Using the drill bit sharpener (accessory), you can effortlessly sharpen twist drill bits with a diameter of 2.5–10 mm.

Maintenance and Service

Maintenance and Cleaning

► **Pull the plug out of the socket before carrying out any work on the power tool.**

► **To ensure safe and efficient operation, always keep the power tool and the ventilation slots clean.**

In order to avoid safety hazards, if the power supply cord needs to be replaced, this must be done by **Bosch** or by an after-sales service centre that is authorised to repair **Bosch** power tools.

After-Sales Service and Application Service

Our after-sales service responds to your questions concerning maintenance and repair of your product as well as spare parts. You can find explosion drawings and information on spare parts at: www.bosch-pt.com

The Bosch product use advice team will be happy to help you with any questions about our products and their accessories.

In all correspondence and spare parts orders, please always include the 10-digit article number given on the nameplate of the product.

India

Bosch Service Center
69, Habibullah Road, (Next to PSBB School), T. Nagar
Chennai – 600077
Phone: (044) 64561816

Bosch Service Center
18, Community Center
Phase 1, Mayapuri
New Delhi – 110064
Phone: (011) 43166190

Bosch Service Center
Shop no 7&8, Aspen garden
Walbhat road, Goregaon (E)
Near to Ram Mandir Railway Station
Mumbai – 400063
Mobile: 09819952950

You can find further service addresses at:

www.bosch-pt.com/serviceaddresses

Disposal

The power tool, accessories and packaging should be recycled in an environmentally friendly manner.



Do not dispose of power tools along with household waste.

हिंदी

सुरक्षा निर्देश

पाँवर टूल सुरक्षा की सामान्य चेतावनियाँ

▲ चेतावनियाँ इस पावर टूल में प्रदत्त समस्त सुरक्षा चेतावनियाँ, निर्देशों, चित्रणों और विनिर्देशों को पढ़ें। चेतावनियों और निर्देशों का अनुसरण करने में विफल होने के परिणामस्वरूप इलेक्ट्रिक शॉक, आग लगना और/या कोई गंभीर हानि हो सकती है।

भावी संदर्भ के लिए सभी चेतावनी और निर्देश सहेजें।

चेतावनी में दी गई टर्म "पाँवर टूल" आपके मुख्य तार द्वारा संचालित (तार सहित) पाँवर टूल या बैटरी संचालित (तार रहित) पाँवर टूल से संबंधित है।

कार्य क्षेत्र सुरक्षा

- ▶ कार्य क्षेत्र साफ़ और अच्छी तरह उजला रखें। अव्यवस्थित या अंधकारपूर्ण क्षेत्र दुर्घटनाओं को आमंत्रित करते हैं।
- ▶ पाँवर टूल को विस्फोटक वातावरण जैसे कि, ज्वलनशील द्रव्यों, गैसों या राख की उपस्थिति में संचालित न करें। पाँवर टूल से चिंगारी निकलती है, जो कचरे या धुएँ में आग लगा सकती है।
- ▶ पाँवर टूल संचालित करते समय बच्चों और आसपास खड़े लोगों को दूर रखें। ध्यान भंग होने के कारण आपका नियंत्रण खो सकते हैं।

विद्युत सुरक्षा

- ▶ पाँवर टूल प्लग आउटलेट से मेल खाना चाहिए। प्लग को किसी भी स्थिति में न सुधारें। ऐसे किसी एडॉप्टर का उपयोग न करें, जिसे भूसंपर्कित (जमीन में) पाँवर टूल के साथ प्लग किया गया हो। अपरिवर्तित प्लग और मेल खाते हुए आउटलेट बिजली के झटके का जोखिम कम करेंगे।
- ▶ अर्थिंग की गई या जमीन पर पड़ी चीजों, जैसे पाइप, रेडिएटर, रेंज और रेफ्रिजरेटर के साथ संपर्क में आने से बचें। यदि आपका शरीर जमीन के या जमीन पर पड़ी किसी वस्तु के संपर्क में आता है, तो बिजली के झटके का खतरा बढ़ जाता है।
- ▶ पाँवर टूल को बारिश या गीली स्थितियों में खुला न रखें। पाँवर टूल में पानी घुस जाने से बिजली का झटका लगने का खतरा बढ़ जाएगा।
- ▶ कॉर्ड का अधिक दुरुपयोग न करें। कॉर्ड का उपयोग कोई चीज़ ले जाने, खींचने या पाँवर टूल को अनप्लग करने में कभी भी न करें। कॉर्ड को ऊष्मा, तेल, तेज़ धार या गतिमान पुर्जों से दूर रखें। क्षतिग्रस्त या उलझी हुई कॉर्ड से बिजली के झटके का खतरा बढ़ जाता है।
- ▶ पाँवर टूल को आउटडोर में संचालित करते समय, आउटडोर के उपयोग हेतु उपयुक्त एक्स्टेंशन कॉर्ड का उपयोग करें। आउटडोर उपयोग के लिए उपयुक्त कॉर्ड का उपयोग करना बिजली के झटके का जोखिम कम करता है।
- ▶ यदि किसी सीलन भरे स्थान में किसी पावर टूल का उपयोग करना पड़े, तो रेसिड्युअल करंट डिवाइस (RCD) सुरक्षित सप्लाइ का उपयोग करें। का उपयोग करने से बिजली का झटका लगने का खतरा कम हो जाता है।

व्यक्तिगत सुरक्षा

- ▶ पाँवर टूल संचालित करते समय सजग रहें, अपने काम पर ध्यान दें और व्यावहारिक ज्ञान का उपयोग करें। थके होने पर या दवाओं, अल्कोहॉल या औषधि-प्रयोग के प्रभाव में होने पर पाँवर टूल का उपयोग न करें। पाँवर टूल संचालित करने के दौरान असावधान रहने पर व्यक्तिगत रूप से गंभीर चोट आ सकती है।
- ▶ व्यक्तिगत सुरक्षा उपकरण का उपयोग करें। आँखों की सुरक्षा के लिए हमेशा कुछ पहनें। सुरक्षा उपकरण, जैसे धूल मास्क, फिसलन रहित सुरक्षा जूते, मजबूत टोपी, या उचित परिस्थितियों के लिए उपयोग की जाने वाली कानों की सुरक्षा जैसे सुरक्षा उपकरण व्यक्तिगत हानि को कम कर देंगे।
- ▶ अनजाने में शुरू करने से बचें। पाँवर सोर्स और/या बैटरी पैक को कनेक्ट करने, टूल को उठाने या ले जाने से पहले सुनिश्चित कर लें कि स्विच बंद स्थिति में है। पाँवर टूल ले जाने समय स्विच पर उंगली होना या चालू स्विच में पाँवर टूल को लगाना दुर्घटनाओं को आमंत्रित कर सकता है।
- ▶ पाँवर टूल को चालू करने से पहले किसी भी समायोजन कुंजी निकाल दें या खींच लें। पाँवर टूल के घूमने वाले भाग से जुड़ी कोई कुंजी खींचने या निकालने से व्यक्तिगत हानि हो सकती है।
- ▶ अति-विश्वास से बचें। हर समय पैरों को ठीक से जमाए रखें और संतुलन में रहें। ऐसा करना अनपेक्षित स्थितियों में पाँवर टूल के नियंत्रण को और बेहतर बनाता है।
- ▶ कपड़े अच्छे-से पहनें। ढीले कपड़े या आभूषण न पहनें। अपने बालों, कपड़ों और दस्तानों को चलित पुर्जों से दूर रखें। ढीले कपड़े, आभूषण या लंबे बाल चलित पुर्जों में फँस सकते हैं।
- ▶ यदि उपकरण धूल निष्कर्षण और सुविधा संग्रह के कनेक्शन के लिए प्रदान किए जाते हैं, तो सुनिश्चित करें कि वो कनेक्ट हों और उचित रूप से उपयोग किए जाते हों। धूल संग्रह का उपयोग करना धूल-संबंधी खतरों को कम कर सकता है।
- ▶ उपकरणों का बार-बार उपयोग करने के बाद इनके साथ अभ्यस्त होने पर उपकरण सुरक्षा सिद्धांतों को अनदेखा नहीं करें। एक छोटी से असावधानी कुछ ही सेकंड में गंभीर चोट का कारण बन सकती है।

पाँवर टूल उपयोग और देखभाल

- ▶ पाँवर टूल पर जोर न लगाएं। अपनी एप्लिकेशन के लिए सही पाँवर टूल का उपयोग करें। सही पाँवर टूल जिसके लिए बनाया गया था, उसके हिसाब से बेहतर और सुरक्षित कार्य करेगा।
- ▶ यदि स्विच चालू और बंद न होता हो, तो पाँवर टूल का उपयोग न करें। ऐसा कोई भी पाँवर टूल जिसमें स्विच से नियंत्रित नहीं किया जा सकता है, खतरानाक है और उसे सुधारा जाना चाहिए।
- ▶ कोई समायोजन करने, एक्सेसरीज़ बदलने या पावर टूल संग्रहीत करने के लिए पावर के स्रोत से प्लग निकालें और/या पावर टूल से बैटरी पैक निकालें, यदि अलग करने योग्य हो। इस तरह के सुरक्षात्मक उपाय पाँवर टूल के अचानक चालू हो जाने के जोखिम को कम करते हैं।
- ▶ निष्क्रिय पाँवर टूल को बच्चों की पहुँच से बाहर रखें और पाँवर टूल चलाने के लिए बिजली के उपकरण या इन निर्देशों से अनभिज्ञ लोगों को अनुमति न दें। अप्रशिक्षित उपयोगकर्ताओं के हाथों में पाँवर टूल का होना खतरानाक है।

- ▶ पावर टूल और एक्सेसरीज़ का रखरखाव करें। चालित पुर्जों के अलाइनमेंट के गड़बड़ाने या बाध्यकारी होने, पुर्जों के टूटने और ऐसी किसी भी स्थिति की जाँच करें, जो पावर टूल के संचालन को प्रभावित कर सकती है। यदि क्षतिग्रस्त है, तो उपयोग से पहले पावर टूल को सुधारना होगा। कई हादसे पावर टूल के खराब रखरखाव के कारण होते हैं।
- ▶ काटने वाले उपकरणों को तेज़ और साफ़ रखें। तेज़ कटाई की धार वाले कटिंग उपकरणों के ठीकठीक रखरखाव से इसे बाइंड करने की संभावना कम होती है और इसे नियंत्रित करना आसान होता है।
- ▶ कार्य करने की स्थितियों और कार्य निष्पादित करने के लिए, इन निर्देशों के अनुसार, पावर टूल, एक्सेसरीज़ और टूल बिट आदि का उपयोग करें। संचालन हेतु पावर टूल का इन उद्देश्यों से अलग उपयोग खतरनाक हो सकता है।
- ▶ हैंडल और ग्रेसिंग सतह को सूखा, साफ़ और ऑइल तथा ग्रीज़ से मुक्त रखें। फिसलने वाले हैंडल और ग्रेसिंग सतहों के कारण अनपेक्षित स्थितियों में टूल की सुरक्षित हैंडलिंग और नियंत्रण पर बुरा प्रभाव पड़ता है।

सेवा

- ▶ केवल समान प्रतिस्थापन भागों का उपयोग करने वाले किसी योग्य मरम्मतकर्ता द्वारा ही अपने पावर टूल की मरम्मत करवाएँ। यह सुनिश्चित कराएँ कि पावर टूल की सुरक्षा का सही रखरखाव किया गया है।

ड्रिल के लिए सुरक्षा चेतावनियाँ

सभी कार्यों के लिए सुरक्षा-निर्देश

- ▶ इम्पैक्ट ड्रिलिंग करते समय कानों की सुरक्षा को पहनें। ज़्यादा शोर में रहने से बहरे हो सकते हैं।
- ▶ ऑक्लिज़ली हैंडल का उपयोग करें। नियंत्रण खोने से शारीरिक चोट लग सकती है।
- ▶ इंसुलेटेड ग्रीपिंग सर्फ़स वाले पावर टूल को तब पकड़ें, जब ऑपरेशन करते समय कटिंग एक्सेसरी या फ़ास्टनर्स छिपे हुए वायर या अपने स्वयं की कॉर्ड के संपर्क में आ सकते हों। „लाइव“ वायर से संपर्क में आने वाली कटिंग एक्सेसरी या फ़ास्टनर्स से „लाइव“ पावर टूल के धातु वाले भाग खुल सकते हैं और इससे ऑपरेटर को बिजली का झटका लग सकता है।

लंबी ड्रिल बिट्स का उपयोग करते समय सुरक्षा निर्देश

- ▶ ड्रिल बिट की अधिकतम गति रेटिंग की तुलना में अधिक गति से काम न करें। उच्च गति पर, यदि बिट को वर्कपीस से संपर्क किए बिना स्वतंत्र रूप से घूमने की अनुमति दी जाए, तो इसके झुकने की संभावना है जिसके परिणामस्वरूप व्यक्तिगत चोट लग सकती है।
- ▶ हमेशा कम गति से और वर्कपीस के संपर्क में बिट टिप से ड्रिलिंग शुरू करें। उच्च गति पर, यदि बिट को वर्कपीस से संपर्क किए बिना स्वतंत्र रूप से घूमने की अनुमति दी जाए, तो इसके झुकने की संभावना है जिसके परिणामस्वरूप व्यक्तिगत चोट लग सकती है।
- ▶ केवल बिट के साथ डायरेक्ट लाइन में दबाव लागू करें लेकिन अत्यधिक दबाव लागू न करें। बिट्स के झुकने से यह टूटने या नियंत्रण खोने का कारण बन सकता है, जिसके परिणामस्वरूप व्यक्तिगत चोट लग सकती है।

अतिरिक्त सुरक्षा निर्देश

- ▶ यदि प्रविष्ट होने वाला यंत्र अवरुद्ध हो रहा हो तो विद्युत चालित यंत्र को तुरंत बंद करें। ऐसे उच्च प्रतिक्रियात्मक बल के प्रति सतर्क रहें जिससे पीछे की ओर झटका लग सकता हो। प्रविष्ट होने वाला यंत्र अवरुद्ध होता है, यदि विद्युत उपकरण में लोड बढ़ जाता है अथवा यह कार्य किए जाने वाले हिस्से में टेढ़ा हो जाता है।
- ▶ विद्युत उपकरण को मजबूती से पकड़ कर रखें। पेंच कसते या ढीले करते समय कुछ धारणों के लिए उच्च प्रतिक्रियात्मक बल लग सकता है।
- ▶ जिस हिस्से पर काम होना है उसे सुरक्षित कर लें। हात से ज्यादा एक तनाव उपकरण या थिंकेजे से कसे कार्य घटक अधिक सुरक्षित होता है।
- ▶ छिपी हुई आपूर्ति लाइनों का पता लगाने के लिए उपयुक्त खोज यंत्रों का प्रयोग करें अथवा स्थानीय आपूर्ति कंपनी से परामर्श करें। बिजली लाइनों के साथ संपर्क में आने से आग या बिजली के झटके के कारण हो सकते हैं। गैस लाइन के क्षतिग्रस्त होने से स्फोट का खतरा हो सकता है। पानी के लाइन में घुसने पर वस्तुओं का नाश या बिजली के झटके लग सकते हैं।
- ▶ विद्युत उपकरण को हटाने से पहले, इसके पूरी तरह रुक जाने की प्रतीक्षा करें। प्रविष्ट कराया जाने वाला यंत्र फंस सकता है और इससे शक्तिचालित यंत्र से नियंत्रण खोने का खतरा उत्पन्न होता है।

उत्पाद और सेवा का विवरण



सभी सुरक्षा चेतावनियाँ और निर्देश सुरक्षा चेतावनियों और निर्देशों का पालन नहीं करने पर बिजली का झटका, आग और गंभीर चोट लगने का खतरा है।

कृपया संचालन निर्देश के अगले भाग में दिए गए चित्रों पर ध्यान दें।

लक्षित उद्देश्य के लिए उपयोग

पावर टूल को ईट, सीमेंट और पत्थर में पर्कशन ड्रिलिंग के लिए और लकड़ी, धातु, सिरमिक और प्लास्टिक में ड्रिलिंग के लिए इस्तेमाल किया जाना चाहिए। इलेक्ट्रॉनिक नियंत्रण और और क्लॉकवाइज / एंटी-क्लॉकवाइज रोटेेशन वाले उपकरण स्कू करने और टैपिंग के लिए भी योग्य होते हैं।

चित्रित घटक

चित्रित घटकों की नंबरिंग ग्राफिक पेज पर पावर टूल के चित्रण को संदर्भित करती है।

- (1) चाबीदार ड्रिल चक
- (2) स्विच "ड्रिलिंग/पर्कशन ड्रिलिंग"
- (3) चालू/बंद स्विच के लिए लॉकिंग कुंजी
- (4) ऑन/ऑफ स्विच
- (5) रिवार्सिंग स्विच
- (6) अतिरिक्त हैंडल (इन्सुलेट की हुई हैंडल सतह)
- (7) गहराई स्टॉप
- (8) हस्त हैंडल (इन्सुलेट की गई हैंडल सतह)
- (9) ड्रिल चक की चाबी
- (10) स्क्रूडाइवर

(11) यूनिवर्सल बिट a)

- a) सचित्र या वर्णित सहायक उपकरण वितरण के मानक क्षेत्र का हिस्सा नहीं है। आपको हमारे सर्व उपकरणों के एक्सेसरीज़ हमारे एक्सेसरीज़ प्रोग्राम में प्राप्त होंगे।

तकनीकी डेटा

इम्पैक्ट ड्रिल	GSB 600	
आर्टिकल संख्या		3 601 AA0 3..
मूल्यांकित इनपुट पावर	W	600
आउटपुट पावर	W	300
लोड-रहित संचालन गति	/मि-1	0-3000
आइडल स्पीड की स्थिति में स्ट्रोक रेट	/मि-1	0-48000
नॉमीनल टॉर्क	Nm	1.4
घड़ी की दिशा में / घड़ी से विपरीत घूमना		●
स्पिंडल नेक व्यास	मिमी	43
अधिकतम ड्रिल Ø		
- कंक्रीट	मिमी	13
- मेसनरी	मिमी	13
- स्टील	मिमी	10
- लकड़ी	मिमी	25
ड्रिल चक की क्षमता	मिमी	1.5-13
EPTA-Procedure 01:2014 विधि के अनुसार वजन	किग्रा	1.7
सुरक्षा श्रेणी		□/II

आंकड़े 230 V के एक रेटेड वोल्टेज [U] के लिए हैं। वोल्टेज परिवर्तन और देश-विशिष्ट डिज़ाइन के अनुसार यह प्रमाण अलग हो सकते हैं।

मौटा

- ▶ पावर टूल पर कोई कार्य करते समय प्लग को सॉकेट से निकाल लें।

अतिरिक्त हैन्डल (चित्र देखें A)

- ▶ केवल अतिरिक्त हैन्डल के साथ अपने बिजली उपकरण का उपयोग करें। (6)

आप अतिरिक्त हैन्डल को (6) 12 पोजीशन में सेट कर सकते हैं, ताकि आप सुरक्षित और कम थकान करने वाली वर्क पोजीशन को पा सकें।

अतिरिक्त हैन्डल के नीचे के हैन्डल पीस को (6) ① दिशा में घुमाएं और अतिरिक्त हैन्डल (6) को तब तक फ्रन्ट की तरफ धकेलें, जब तक कि आप इसे इच्छित पोजीशन में स्विचल न कर सकें। इसके बाद अतिरिक्त हैन्डल (6) को फिर से पीछे खींचें और निचले हैन्डल पीस को ② दिशा में फिर से कस लें।

ड्रिलिंग गहराई निश्चित करें (चित्र देखें A)

(7) ड्रिलिंग के लिए X गहराई निर्धारित करने के लिए गहराई स्टॉप का इस्तेमाल करें।

अतिरिक्त हैन्डल (6) के नीचले हैन्डल के पीस को घड़ी की दिशा के विपरीत घुमाएं और गहराई स्टॉप (7) इन्सर्ट करें।

गहराई स्टॉप (7) को यहाँ तक बाहर खींचें, जब तक कि ड्रिल की टिप और गहराई स्टॉप के टिप (7) के बीच की दूरी इच्छित ड्रिल गहराई X से न मिल जाए।

इसके बाद अतिरिक्त हैन्डल (6) का नीचले हैन्डल का पीस घड़ी की दिशा में फिर से कस लें।

गहराई स्टॉप (7) पर फ्लूटिंग निचे कि तरफ दर्शाती हो।

टूल बदलना

- ▶ उपकरण बदलते समय सुरक्षात्मक दस्ताने पहनें। लंबे समय तक चलने वाले कार्य के दौरान ड्रिल चक गर्म हो सकता है।

की-टाइप ड्रिल चक (चित्र देखें B)

स्पोकैट चक (1) को घुमा कर तब तक खोलें, जब तक की उपकरण अंदर डाला नहीं जा सकता। यंत्र को शुरू करें।

रिंग गियर चक (1) के संगत छिद्रों में चक कुंजी (9) प्रविष्ट करें एवं उपकरण को समान रूप से कसें।

पेंच उपकरण (चित्र C देखें)

पेचकश बिट (10) का इस्तेमाल करते समय आपको हमेशा एक यूनिवर्सल बिट होल्डर (11) का उपयोग करना चाहिए। केवल ऐसे स्क्रूड्राइवर बिट इस्तेमाल करें जो स्क्रू के सिरे से मेल खाते हों।

स्क्रू करने के लिए स्विच "ड्रिलिंग/पर्कशन ड्रिलिंग" (2) को हमेशा "ड्रिलिंग" चिन्ह पर रखें।

धूल / चिप वैक्यूम निष्कर्षण

सामग्री की धूल जैसे युक्त लीड पेंट, कुछ लकड़ी की प्रजातियों, खनिज एवं धातु हानिकारक हो सकते हैं। ऐसी धूल को स्पर्श करने या सांस लेने के परिणामस्वरूप उपयोगकर्ता अथवा संपर्क में आने वाले व्यक्तियों को एलर्जी प्रतिक्रिया हो सकती है और/अथवा श्वसन संबंधी बीमारी हो सकती है।

विशिष्ट धूल जैसे ओक या वीच की धूल के रूप में विशेष रूप से लकड़ी उपचार के लिए योजकों का संयोजन किए हुए कार्मिनोजन (क्रोमेट, परिरक्षक लकड़ी), वर्गीकृत किए गये हैं। एसबेस्टस युक्त सामग्री पर केवल विशेषज्ञों द्वारा काम किया जा सकता है।

– कार्यस्थल के लिए अच्छा वेंटीलेशन प्रदान करें।

– यह फ़िल्टर वर्ग P2 के साथ एक सुरक्षात्मक मास्क पहनने के लिए सिफ़ारिश की गई है।

जिन सामग्रियों पर काम करना है, उनके संदर्भ में अपने देश में लागू प्रावधानों का ध्यान रखें।

- ▶ कार्य स्थल पर धूल को जमा न होने दें। धूल में आसानी से आग लग सकती है।

ड्रिल चक बदलें

- ▶ बिना ड्रिल स्पिंडल लॉक वाले पावर टूलों की स्थिति में ड्रिल चक को Bosch पावर टूलों के लिए अधिकृत ग्राहक सर्विस सेंटर द्वारा बदल देना चाहिए।



ड्रिल चक को लगभग 30-35 Nm के टाईटनिंग टॉर्क से कसा जाना चाहिए।

संचालन**कार्यान्वित करना**

- ▶ वोल्टेज नोट करें! पावर का स्रोत का वोल्टेज दर्ज़ा प्लेट पर विनिर्देशों के वजली के उपकरण से मेल खाना चाहिए।

घुमाव की दिशा निश्चित करें (चित्र देखें D - E)**► बिजली उपकरण स्थिर होने पर ही (5) दिशा बदले।**

रोटेशन स्विच (5) की दिशा का उपयोग पावर टूल के रोटेशन की दिशा बदलने के लिए किया जा सकता है। हालाँकि, ऑन/ऑफ स्विच (4) के दबे रहने पर ऐसा करना संभव नहीं है।

दक्षिणावर्त घूर्णन (क्लॉकवाइज रोटेशन): स्क्रू को ड्रिल एवं स्क्रू करने के लिए रोटेशन स्विच (5) की दिशा को बाईं ओर तब तक दबाएं जब तक कि यह बंद न हो जाए।

वामावर्त घूर्णन (एंटी-क्लॉकवाइज रोटेशन): स्क्रू और पेंच को ढीला करने या खोलने के लिए स्विच (5) के घूर्णन की दिशा को घड़ी के सुई की दिशा में जहाँ तक संभव हो घुमाएं।

ऑपरेटिंग मोड सेट करना**ड्रिलिंग और स्क्रू करना**

स्विच (2) को "ड्रिलिंग" चिन्ह पर रखें।

**पर्कशन ड्रिलिंग**

स्विच (2) को "पर्कशन ड्रिलिंग" चिन्ह पर रखें।

स्विच (2) सुस्पष्ट रूप से लॉक-इन हो जाता है और चलते हुए इंजन की स्थिति में भी संचालित किया जा सकता है।

चालू करना/बंद करना

पावर टूल **चालू करने के लिए**, स्विच (4) को ऑन/ऑफ करके दबाएं रखें।

स्विच (4) के ऑन/ऑफ **निर्धारित करने के लिए**, कैप्स लॉक कुंजी (3) दबाएं।

पावर टूल को **बंद करने के लिए**, ऑन / बंद स्विच (4) दबाएं, अगर यह लॉकिंग बटन (3) से बंद हैं तो थोड़े देर के लिए ऑन/ऑफ स्विच (4) दबाकर छोड़ दें।

सेटिंग गति / स्ट्रोक दर

आप जहाँ तक स्विच ऑन/स्विच ऑफ बटन (4) को दबाए रखते हैं, उससे आप लगाए गए पावर टूल की गति/स्ट्रोक दर को बिना स्टेप्स के नियंत्रित कर सकते हैं।

स्विच ऑन/स्विच ऑफ बटन (4) पर हल्के से दबाव का परिणाम कम गति/ स्ट्रोक दर होता है। बढ़ते दबाव के साथ, गति / स्ट्रोक दर बढ़ जाते हैं।

कार्य निर्देश

► **पावर टूल पर कोई कार्य करते समय प्लग को सॉकेट से निकाल लें।**

► **पावर टूल को केवल नट/पेंच से दूर रखें।** घूम रहे प्रविष्ट कराए जाने वाले यंत्रों में जंग लग सकती है।

लंबे समय तक कम गति पर चलने के बाद पावर टूल को ठंडा करने के लिए करीब 3 मिनट के लिए उपयोग में न लाएं। टाइलों को ड्रिल करने के लिए, स्विच (2) को "ड्रिलिंग" चिन्ह पर रखें। तेल को ड्रिल-श्रू करने के बाद स्विच को "पर्कशन ड्रिलिंग" चिन्ह पर रखें और स्ट्रोक के साथ कार्य करें।

सीमेंट, पत्थर और मेसनरी का काम करते समय कार्बाइड ड्रिल का इस्तेमाल करें।

धातु में ड्रिलिंग करते समय केवल साफ-सूथरे, पैंने एचएसएस ड्रिल बिट (एचएसएस=उच्च प्रदर्शन - त्वरित कटान स्टील) ही इस्तेमाल करें। गुणवत्ता की गारंटी सामान कार्यक्रम **Bosch** द्वारा की जाती है।

ड्रिल शार्पनर (एक्ससेसरी) के साथ आप 2.5-10 mm के व्यास का स्पाइडरल ड्रिल आराम से शारपन कर सकते हैं।

देखभाल एवं सर्विस**देखभाल एवं सफाई**

► **पावर टूल पर कोई कार्य करते समय प्लग को सॉकेट से निकाल लें।**

► **अच्छी तरह काम करने के लिए और सुरक्षा के लिए, पावर टूल एवं वैटिलेशन स्टांड्स को साफ रखें।**

कनेक्शन केबल को बदलने की आवश्यकता पड़ने पर, सुरक्षा से सम्बंधित खतरों एवं जोखिमों से बचने के लिए इसे सिर्फ **Bosch** द्वारा या **Bosch** ग्राहक सेवा केंद्र द्वारा बदला जाना चाहिए या उनके द्वारा अधिकृत किया जाना चाहिए।

ग्राहक सेवा एवं उपयोग सलाह

ग्राहक सेवा आपके उनके उत्पादनों तथा देखभाल के विषय में आपके सवालों का जवाब देगी। स्पेयर पार्ट्स के बारे में अधिक जानकारी और विस्तृत (एक्सप्लोडेड) दृश्य यहां भी मिल सकते हैं: www.bosch-pt.com

Bosch की एप्प्लीकेशन परामर्श टीम हमारे उत्पादों और उनके सहायक उपकरणों के संदर्भ में आपके सभी प्रश्नों में आपकी सहायता करेगी।

पत्राचार के दौरान तथा स्पेयर पुर्जों का ऑर्डर देते समय, उत्पाद के लेबल पर दर्ज 10 अंको वाली आर्टिकल संख्या अवश्य प्रदान करें।

भारत

Bosch सर्विस सेंटर

69, हवीबुल्लाह रोड, (पीएसबीवी स्कूल के आगे), टी. नगर चेन्नई - 600077

फ़ोन: (044) 64561816

Bosch सर्विस सेंटर

18, कस्पुनिटी

सेंटरफेस 1, मायापुरी

नई दिल्ली - 110064

फ़ोन: (011) 43166190

Bosch सर्विस सेंटर

शॉप नंबर 7 और 8, एस्पेन गार्डन

वालभट रोड, गोरगांव (ई)

राम मंदिर रेलवे स्टेशन के पास

मुंबई - 400063

मोबाइल: 09819952950

सर्विस से जुड़े अन्य पते यहाँ उपलब्ध हैं:

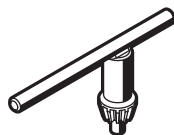
www.bosch-pt.com/serviceaddresses

निपटान

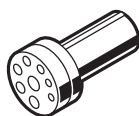
पावर टूल, सहायक उपकरणों और पैकेजिंग का पुनर्चक्रण पर्यावरण के अनुकूल किया जाना चाहिए।



बिजली उपकरणों का निपटान घरेलू कचरे में न करें!



1 607 950 045

2 608 571 076
1 619 PA1 6892 607 990 050
(S 41)

2 609 199 582