



GCO 220 Professional

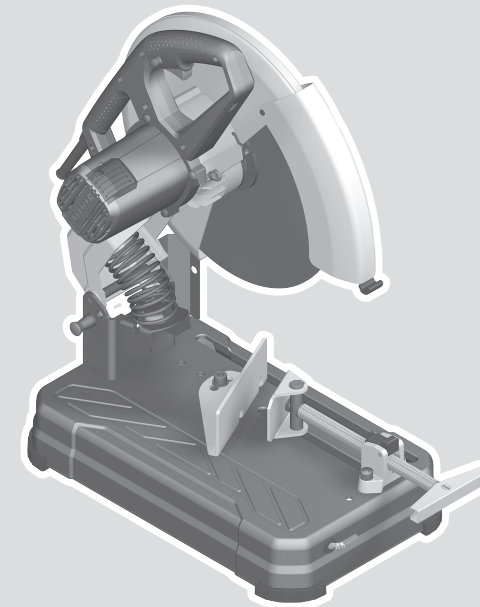
Robert Bosch Power Tools GmbH
70538 Stuttgart
GERMANY

www.bosch-pt.com

1 609 92A 8N8 (2023.11) PS / 20



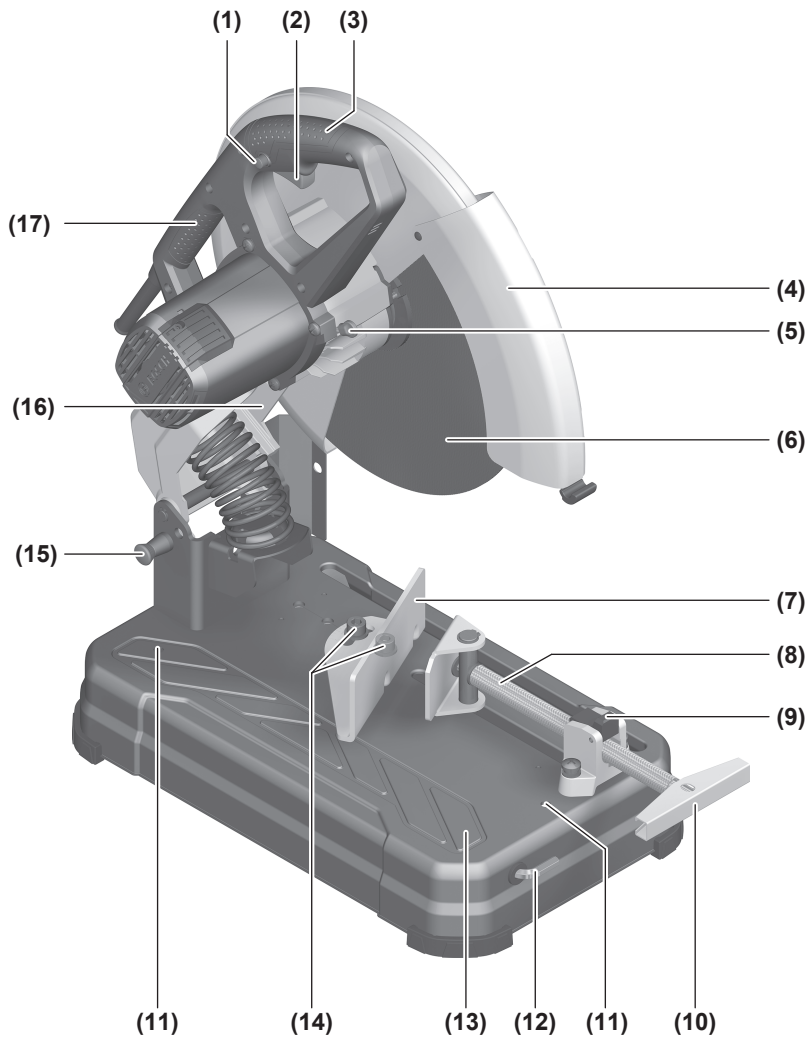
1 609 92A 8N8

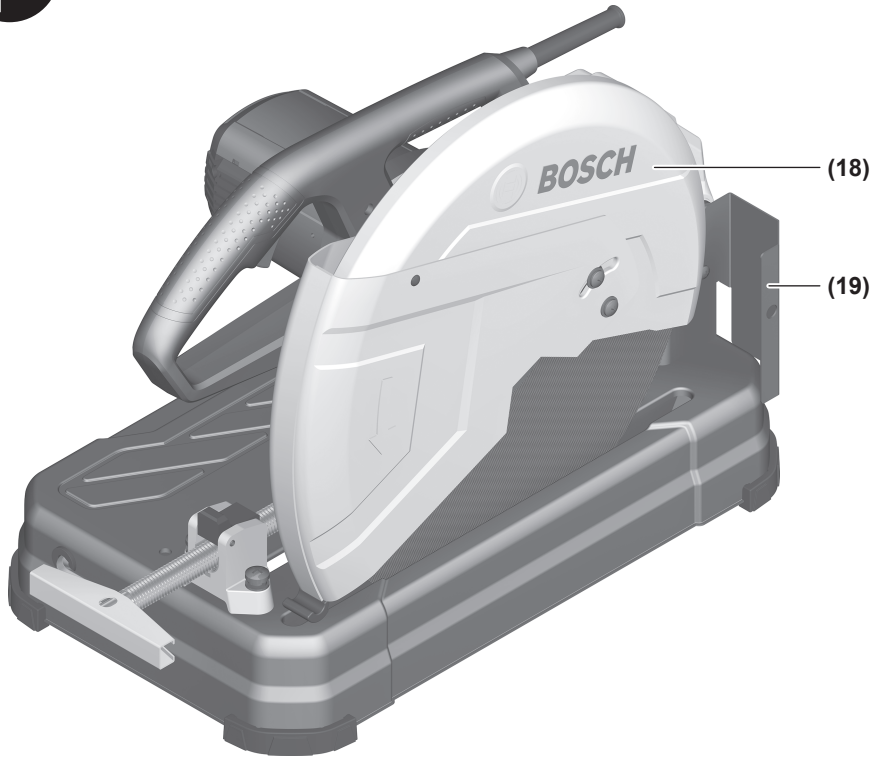
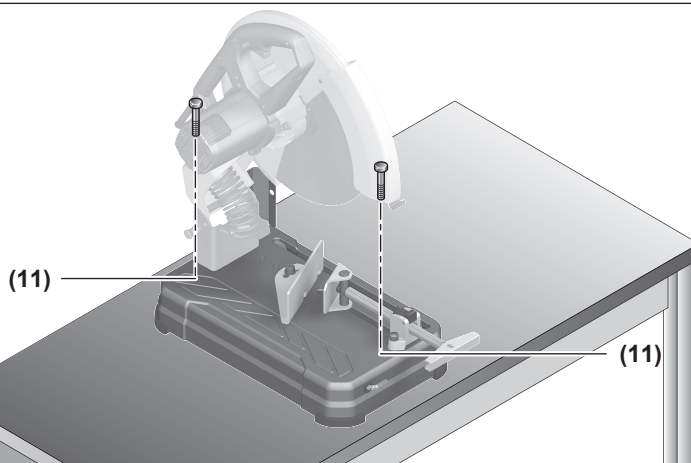


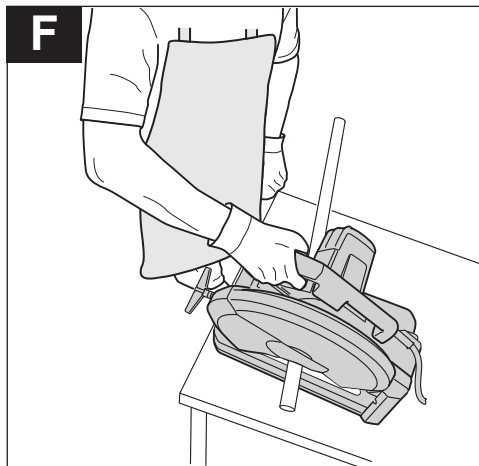
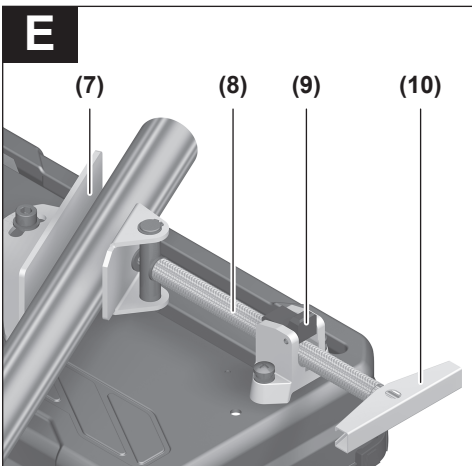
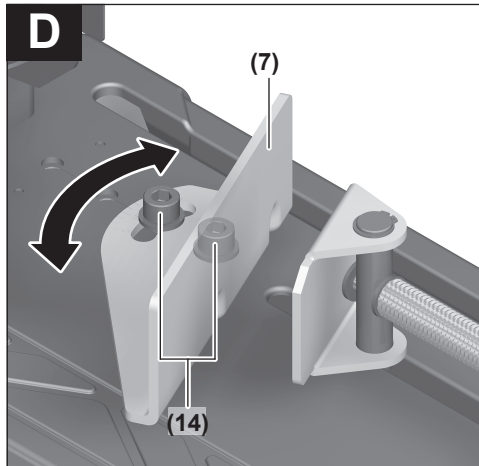
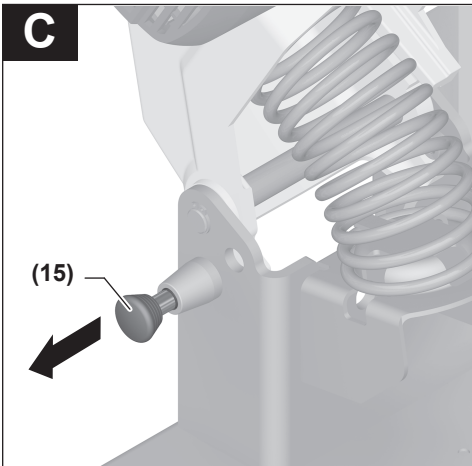
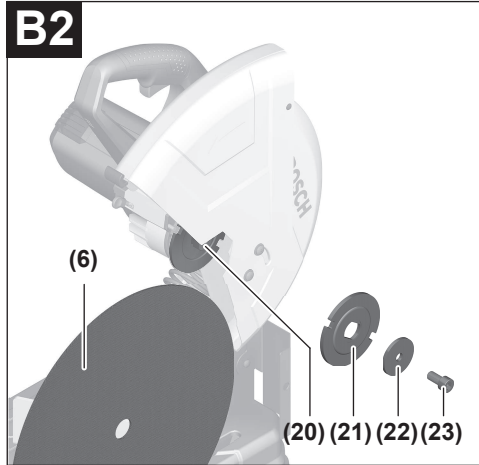
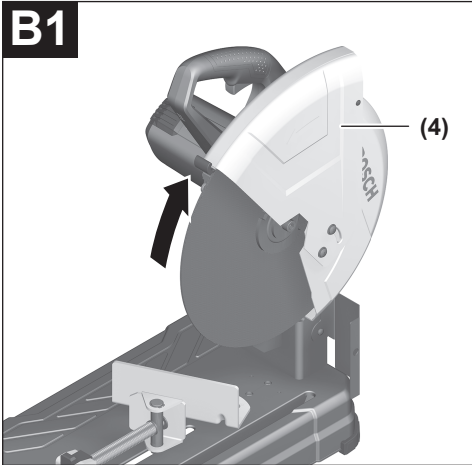
en Original instructions
hi मूल ऑपरेटिंग मैनुअल

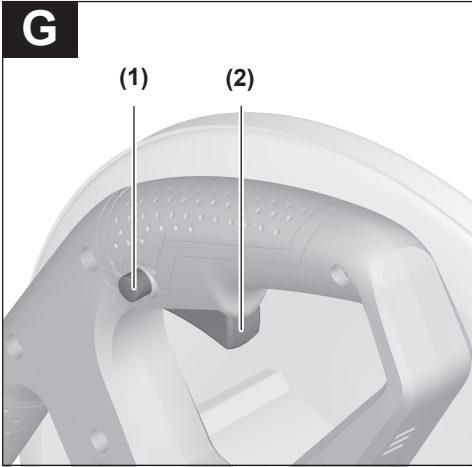


English Page 7
हिंदी पेज 14



**A**





English

Safety Instructions

General Power Tool Safety Warnings

⚠ WARNING Read all safety warnings, instructions, illustrations and specifications provided with this power tool. Failure to follow all instructions listed below may result in electric shock, fire and/or serious injury.

Save all warnings and instructions for future reference.

The term "power tool" in the warnings refers to your mains-operated (corded) power tool or battery-operated (cordless) power tool.

Work area safety

- ▶ **Keep work area clean and well lit.** Cluttered or dark areas invite accidents.
- ▶ **Do not operate power tools in explosive atmospheres, such as in the presence of flammable liquids, gases or dust.** Power tools create sparks which may ignite the dust or fumes.
- ▶ **Keep children and bystanders away while operating a power tool.** Distractions can cause you to lose control.

Electrical safety

- ▶ **Power tool plugs must match the outlet. Never modify the plug in any way. Do not use any adapter plugs with earthed (grounded) power tools.** Unmodified plugs and matching outlets will reduce risk of electric shock.
- ▶ **Avoid body contact with earthed or grounded surfaces, such as pipes, radiators, ranges and refrigerators.** There is an increased risk of electric shock if your body is earthed or grounded.
- ▶ **Do not expose power tools to rain or wet conditions.** Water entering a power tool will increase the risk of electric shock.
- ▶ **Do not abuse the cord. Never use the cord for carrying, pulling or unplugging the power tool. Keep cord away from heat, oil, sharp edges or moving parts.** Damaged or entangled cords increase the risk of electric shock.
- ▶ **When operating a power tool outdoors, use an extension cord suitable for outdoor use.** Use of a cord suitable for outdoor use reduces the risk of electric shock.
- ▶ **If operating a power tool in a damp location is unavoidable, use a residual current device (RCD) protected supply.** Use of an RCD reduces the risk of electric shock.

Personal safety

- ▶ **Stay alert, watch what you are doing and use common sense when operating a power tool. Do not use a power tool while you are tired or under the influence of drugs, alcohol or medication.** A moment of inatten-

tion while operating power tools may result in serious personal injury.

- ▶ **Use personal protective equipment. Always wear eye protection.** Protective equipment such as a dust mask, non-skid safety shoes, hard hat or hearing protection used for appropriate conditions will reduce personal injuries.
- ▶ **Prevent unintentional starting. Ensure the switch is in the off-position before connecting to power source and/or battery pack, picking up or carrying the tool.** Carrying power tools with your finger on the switch or energising power tools that have the switch on invites accidents.
- ▶ **Remove any adjusting key or wrench before turning the power tool on.** A wrench or a key left attached to a rotating part of the power tool may result in personal injury.
- ▶ **Do not overreach. Keep proper footing and balance at all times.** This enables better control of the power tool in unexpected situations.
- ▶ **Dress properly. Do not wear loose clothing or jewellery. Keep your hair and clothing away from moving parts.** Loose clothes, jewellery or long hair can be caught in moving parts.
- ▶ **If devices are provided for the connection of dust extraction and collection facilities, ensure these are connected and properly used.** Use of dust collection can reduce dust-related hazards.
- ▶ **Do not let familiarity gained from frequent use of tools allow you to become complacent and ignore tool safety principles.** A careless action can cause severe injury within a fraction of a second.

Power tool use and care

- ▶ **Do not force the power tool. Use the correct power tool for your application.** The correct power tool will do the job better and safer at the rate for which it was designed.
- ▶ **Do not use the power tool if the switch does not turn it on and off.** Any power tool that cannot be controlled with the switch is dangerous and must be repaired.
- ▶ **Disconnect the plug from the power source and/or remove the battery pack, if detachable, from the power tool before making any adjustments, changing accessories, or storing power tools.** Such preventive safety measures reduce the risk of starting the power tool accidentally.
- ▶ **Store idle power tools out of the reach of children and do not allow persons unfamiliar with the power tool or these instructions to operate the power tool.** Power tools are dangerous in the hands of untrained users.
- ▶ **Maintain power tools and accessories. Check for misalignment or binding of moving parts, breakage of parts and any other condition that may affect the power tool's operation. If damaged, have the power tool repaired before use.** Many accidents are caused by poorly maintained power tools.

- ▶ **Keep cutting tools sharp and clean.** Properly maintained cutting tools with sharp cutting edges are less likely to bind and are easier to control.
- ▶ **Use the power tool, accessories and tool bits etc. in accordance with these instructions, taking into account the working conditions and the work to be performed.** Use of the power tool for operations different from those intended could result in a hazardous situation.
- ▶ **Keep handles and grasping surfaces dry, clean and free from oil and grease.** Slippery handles and grasping surfaces do not allow for safe handling and control of the tool in unexpected situations.

Service

- ▶ **Have your power tool serviced by a qualified repair person using only identical replacement parts.** This will ensure that the safety of the power tool is maintained.

Cut-off machine safety warnings

- ▶ **Position yourself and bystanders away from the plane of the rotating wheel.** The guard helps to protect the operator from broken wheel fragments and accidental contact with wheel.
- ▶ **Use only bonded reinforced cut-off wheels for your power tool.** Just because an accessory can be attached to your power tool, it does not assure safe operation.
- ▶ **The rated speed of the accessory must be at least equal to the maximum speed marked on the power tool.** Accessories running faster than their rated speed can break and fly apart.
- ▶ **Wheels must be used only for recommended applications. For example: do not grind with the side of a cut-off wheel.** Abrasive cut-off wheels are intended for peripheral grinding, side forces applied to these wheels may cause them to shatter.
- ▶ **Always use undamaged wheel flanges that are of correct diameter for your selected wheel.** Proper wheel flanges support the wheel thus reducing the possibility of wheel breakage.
- ▶ **The outside diameter and the thickness of your accessory must be within the capacity rating of your power tool.** Incorrectly sized accessories cannot be adequately guarded or controlled.
- ▶ **The arbour size of wheels and flanges must properly fit the spindle of the power tool.** Wheels and flanges with arbour holes that do not match the mounting hardware of the power tool will run out of balance, vibrate excessively and may cause loss of control.
- ▶ **Do not use damaged wheels. Before each use, inspect the wheels for chips and cracks. If the power tool or wheel is dropped, inspect for damage or install an undamaged wheel. After inspecting and installing the wheel, position yourself and bystanders away from the plane of the rotating wheel and run the power tool at maximum no load speed for one minute.** Damaged wheels will normally break apart during this test time.

- ▶ **Wear personal protective equipment. Depending on application, use face shield, safety goggles or safety glasses. As appropriate, wear dust mask, hearing protectors, gloves and shop apron capable of stopping small abrasive or workpiece fragments.** The eye protection must be capable of stopping flying debris generated by various operations. The dust mask or respirator must be capable of filtering particles generated by your operation. Prolonged exposure to high intensity noise may cause hearing loss.
- ▶ **Keep bystanders a safe distance away from work area. Anyone entering the work area must wear personal protective equipment.** Fragments of workpiece or of a broken wheel may fly away and cause injury beyond immediate area of operation.
- ▶ **Position the cord clear of the spinning accessory.** If you lose control, the cord may be cut or snagged and your hand or arm may be pulled into the spinning wheel.
- ▶ **Regularly clean the power tool's air vents.** The motor's fan can draw the dust inside the housing and excessive accumulation of powdered metal may cause electrical hazards.
- ▶ **Do not operate the power tool near flammable materials. Do not operate the power tool while placed on a combustible surface such as wood.** Sparks could ignite these materials.
- ▶ **Do not use accessories that require liquid coolants.** Using water or other liquid coolants may result in electrocution or shock.

Kickback and related warnings

Kickback is a sudden reaction to a pinched or snagged rotating wheel. Pinching or snagging causes rapid stalling of the rotating wheel which in turn causes the uncontrolled **cutting unit** to be forced upwards toward the operator.

For example, if an abrasive wheel is snagged or pinched by the workpiece, the edge of the wheel that is entering into the pinch point can dig into the surface of the material causing the wheel to climb out or kick out. Abrasive wheels may also break under these conditions.

Kickback is the result of power tool misuse and/or incorrect operating procedures or conditions and can be avoided by taking proper precautions as given below.

- ▶ **Maintain a firm grip on the power tool and position your body and arm to allow you to resist kickback forces.** The operator can control upward kickback forces, if proper precautions are taken.
- ▶ **Do not position your body in line with the rotating wheel.** If kickback occurs, it will propel the cutting unit upwards toward the operator.
- ▶ **Do not attach a saw chain, woodcarving blade, segmented diamond wheel with a peripheral gap greater than 10 mm or toothed saw blade.** Such blades create frequent kickback and loss of control.
- ▶ **Do not "jam" the wheel or apply excessive pressure. Do not attempt to make an excessive depth of cut.** Overstressing the wheel increases the loading and sus-

ceptibility to twisting or binding of the wheel in the cut and the possibility of kickback or wheel breakage.

- ▶ **When the wheel is binding or when interrupting a cut for any reason, switch off the power tool and hold the cutting unit motionless until the wheel comes to a complete stop. Never attempt to remove the wheel from the cut while the wheel is in motion otherwise kickback may occur.** Investigate and take corrective action to eliminate the cause of wheel binding.
- ▶ **Do not restart the cutting operation in the workpiece. Let the wheel reach full speed and carefully re-enter the cut.** The wheel may bind, walk up or kickback if the power tool is restarted in the workpiece.
- ▶ **Support any oversized workpiece to minimize the risk of wheel pinching and kickback.** Large workpieces tend to sag under their own weight. Supports must be placed under the workpiece near the line of cut and near the edge of the workpiece on both sides of the wheel.

Additional safety information

- ▶ **Store the power tool safely when it is not in use. The storage location must be dry and lockable.** This prevents the power tool from storage damage, and from being operated by untrained persons.
- ▶ **Always firmly clamp the workpiece into place. Do not carry out work on workpieces that are too small to be clamped.** Otherwise, the distance between your hand and the rotating cutting disc will be too small.
- ▶ **Check the cable regularly and have a damaged cable repaired only by an authorised customer service agent for Bosch power tools. Replace damaged extension cables.** This will ensure that the safety of the power tool is maintained.
- ▶ **Never stand on the power tool.** Serious injuries may occur if the power tool tips over or if you inadvertently come into contact with the saw blade.
- ▶ **Always use the protective guard.** The protective guard protects users from any parts that break off from the cutting disc and prevents unintentional contact with the cutting disc.
- ▶ **Do not brake the cutting disc to a stop by applying side pressure after switching the power tool off.** The cutting disc can be damaged, break or cause kickback.
- ▶ **Never leave the tool unattended before it has come to a complete stop.** Cutting tools that are still running can cause injuries.

Symbols

The following symbols may be important for the operation of your power tool. Please take note of these symbols and their meaning. Correctly interpreting the symbols will help you to operate the power tool more effectively and safely.

Symbols and their meaning



Keep hands away from the cutting area while the power tool is running. Contact with the cutting blade can lead to injuries.



Wear safety goggles.



Wear hearing protection. Exposure to noise can cause hearing loss.



Wear a dust mask.



Wear protective gloves. Cutting discs have sharp edges and become very hot during operation.

Product Description and Specifications



Read all the safety and general instructions. Failure to observe the safety and general instructions may result in electric shock, fire and/or serious injury.

Please observe the illustrations at the beginning of this operating manual.

Intended use

The power tool is a stationary machine that uses cutting discs to cut metal materials with and against the grain, in straight lines and at mitre angles up to 45°, without the use of water.

Using diamond-tipped cutting discs is not permitted.

Product features

The numbering of the product features refers to the diagram of the power tool on the graphics page.

- (1) Lock-on button for on/off switch
- (2) On/off switch
- (3) Handle
- (4) Retracting blade guard
- (5) Spindle lock
- (6) Cutting disc
- (7) Angle guide
- (8) Locking spindle

- (9) Quick release
- (10) Spindle handle
- (11) Mounting holes
- (12) Hex key (8 mm)
- (13) Base plate
- (14) Locking screw for angle guide
- (15) Transport safety lock
- (16) Tool arm
- (17) Transport handle
- (18) Protective guard
- (19) Spark guard plate
- (20) Tool spindle
- (21) Clamping flange
- (22) Washer
- (23) Hexagon screw

Technical data

Cut-off grinder		GCO 220
Article number		3 601 M37 3..
Rated power input	W	2200
No-load speed	min ⁻¹	3800
Base plate dimensions	mm	288 x 480 x 82
Weight according to EPTA-Procedure 01:2014	kg	15.0
Protection class		□/II
Permissible workpiece dimensions (maximum/minimum): (see "Permissible workpiece dimensions", page 12)		

Dimensions of suitable cutting discs

Max. cutting disc diameter	mm	355
Max. cutting disc thickness	mm	3
Hole diameter	mm	25.4

The specifications apply to a rated voltage [U] of 230 V. These specifications may vary at different voltages and in country-specific models.

Values can vary depending upon the product and are subject to application and environmental conditions. For further information www.bosch-professional.com/wac.

Assembly

- ▶ **Avoid starting the power tool unintentionally. The mains plug must not be connected to the power supply during assembly or when carrying out any kind of work on the power tool.**

Items included

Carefully remove all parts included in the delivery from their packaging.

Remove all packing material from the power tool and the accessories provided.

Check to ensure that all the parts listed below have been supplied before using the power tool for the first time:

- Cut-off grinder with cutting disc fitted
- Hex key (12)

Note: Check the power tool for possible damage.

Before continuing to use the power tool, carefully check that all protective devices or slightly damaged parts are working perfectly and according to specifications. Check that the moving parts are working perfectly and without jamming; check whether any parts are damaged. All parts must be fitted correctly and all the conditions necessary to ensure smooth operation must be met.

If the protective devices or any parts become damaged, you must have them properly repaired or replaced by an authorised service centre.

Stationary or flexible mounting

- ▶ **To ensure safe handling, the power tool must be mounted on a flat, stable work surface (e.g. work bench) before use.**

Mounting on a work surface (see figure A)

- Use suitable screw fasteners to secure the power tool to the work surface. Use the holes (11) to do this.

Flexible installation (not recommended)

In exceptional circumstances, if it is not possible to securely mount the power tool on a work surface, you can improvise by placing the feet of the base plate (13) on an appropriate base (e.g. workbench, flat ground, etc.), without screwing down the power tool.

Changing the Cutting Disc (see figures B1 – B2)

- ▶ **Pull the plug out of the socket before carrying out any work on the power tool.**
- ▶ **Do not activate the spindle lock (5) while the tool spindle (20) is moving.** The power tool may become damaged if you do this.
- ▶ **Do not touch the cutting disc after use until it has cooled.** The cutting disc becomes very hot during use.

Only use cutting discs that match the specifications given in this operating manual and that have been tested and marked in accordance with EN 12413.

Use any intermediate layers provided with the cutting disc. Place unused cutting discs in an enclosed container or their original packaging. Store the cutting discs lying flat.

Removing the cutting disc

- Bring the power tool into the work position.
- Swivel the retracting blade guard (4) backwards as far as possible.
- Turn the hexagon screw (23) using the hex key (12) provided while pressing the spindle lock (5) until it engages.
- Hold the spindle lock down and unscrew the hexagon screw (23).
- Remove the washer (22) and the clamping flange (21).
- Remove the cutting disc (6).

Fitting the cutting disc

If required, clean all the parts you want to fit before installing them.

- Place the new cutting disc on the tool spindle (20) such that the sticker points away from the tool arm.
- Fit the clamping flange (21), the washer (22) and the hexagon screw (23). Press the spindle lock (5) until it engages and retighten the hexagon screw (23) by turning it clockwise. (Tightening torque approx. 18–20 Nm)
- Slowly guide the retracting blade guard (4) all the way down until the cutting disc is completely covered.
- Make sure that the retracting blade guard (4) is working properly.

After fitting the cutting disc, check that the cutting disc is fitted correctly and can turn freely before switching on the power tool.

- Make sure that the cutting disc does not brush against the retracting blade guard (4), the fixed protective guard (18) or any other parts.
- Put the power tool into operation for approx. 30 seconds. If there is substantial vibration, switch the power tool off immediately, remove the cutting disc and then refit it.

Operation

- ▶ **Pull the plug out of the socket before carrying out any work on the power tool.**

Transport Safety Lock (see figure C)

The transport safety lock (15) makes it easier to handle the power tool when transporting it to various working locations.

Unlocking the power tool (work position)

- Press the tool arm down slightly by the handle (3) to release the transport safety lock (15).
- Pull the transport safety lock (15) all the way out.
- Slowly guide the tool arm upwards.

Notes:

- Make sure that the transport safety lock is not pushed in when working, otherwise the tool arm will not be able to be swivelled to the required depth.
- If the transport safety lock is stiff when pulling/pushing, it should be lubricated so that it can move smoothly.

Locking the power tool (transport position)

- Guide the tool arm downwards until you can press the transport safety lock (15) all the way in.
- Lubricate the transport safety lock regularly.

Further information about transporting (see "Transport", page 12).

Setting the Mitre Angle (see figure D)

The mitre angle can be set between 0° and 45°. Important settings are marked with corresponding markings on the angle guide (7). The 0° and 45° positions are secured by the respective end stop.

- Loosen the locking screws (14) on the angle guide using the hex key (12) (8 mm) provided.
- Set the required angle and retighten both locking screws (14).

Moving the angle guide

If you want to cut wider workpieces, you can move the angle guide (7) backwards.

- Completely unscrew the locking screws (14) using the hex key provided (12) (8 mm).
- Move the angle guide (7) backwards by one or two holes to the required distance.
- Set the required angle and retighten both locking screws (14).

Clamping the workpiece (see figure E)

To ensure maximum safety while working, the workpiece must always be firmly clamped.

Do not saw workpieces that are too small to clamp firmly.

The free end of long workpieces must have something placed underneath it or be supported.

- Place the workpiece against the angle guide (7).
- Slide the locking spindle (8) against the workpiece and clamp the workpiece in place using the spindle handle (10).

Releasing the workpiece

- Release the spindle handle (10).
- Open the quick release (9) and pull the locking spindle (8) away from the workpiece.

Start-up

Position of the operator (see figure F)

- ▶ **Do not stand in front of the power tool in line with the cutting disc. Always stand to the side of the cutting disc.** If the cutting disc breaks, your body is more protected from possible splinters in this position.

Switching On and Off (see figure G)

- To **start**, press the on/off switch (2) and keep it pressed.
- Press the lock-on button (1) to **lock** the on/off switch (2) in this position.
- To **switch off**, release the on/off switch (2). If the on/off switch is locked, press it all the way in until the switch lock is released and then release the on/off switch.

Practical advice

General advice on using cutting discs

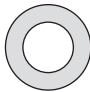
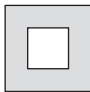
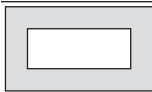
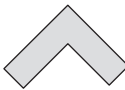
- ▶ **Do not touch the cutting disc after use until it has cooled.** The cutting disc becomes very hot during use.
 - ▶ **Make sure that the spark guard plate (19) is fitted properly.** Flying sparks are created when sanding metals.
- Protect the cutting disc against impact, shock and grease. Do not subject the cutting disc to lateral pressure.

Do not load the power tool so heavily that it comes to a stop. Excessive feed significantly reduces the performance of the power tool and the service life of the cutting disc.

Only use cutting discs that are suitable for the material being machined.

Permissible workpiece dimensions

Maximum workpiece dimensions (in mm)

Workpiece shape	Mitre angle	
	0°	45°
	Dia. 129	Dia. 128
	119 x 119	110 x 110
	100 x 196	107 x 115
	130 x 130	115 x 115

Minimum workpiece dimensions
(= all workpieces which can still be clamped in place with the locking spindle **(8)**): Length 80 mm

Maximum cutting depth (0°/0°): 129 mm

Cutting metal

- Set the required mitre angle as necessary.
- Firmly clamp the workpiece as appropriate for its dimensions.
- Switch on the power tool.
- Slowly guide the tool arm downwards using the handle **(3)**.
- Cut the workpiece, applying uniform feed.
- Switch off the power tool and wait until the cutting disc has come to a complete stop.
- Slowly guide the tool arm upwards.

Transport

- Always carry the power tool by the transport handle **(17)**.
- ▶ **Only use the transport devices to transport the power tool and never the protective devices.**

Maintenance and Service

Maintenance and Cleaning

- ▶ **Pull the plug out of the socket before carrying out any work on the power tool.**
- ▶ **To ensure safe and efficient operation, always keep the power tool and the ventilation slots clean.**

In order to avoid safety hazards, if the power supply cord needs to be replaced, this must be done by **Bosch** or by an after-sales service centre that is authorised to repair **Bosch** power tools.

- ▶ **Clean the air vents on your power tool regularly.** The motor's fan will draw the dust inside the housing and excessive accumulation of powdered metal may cause electrical hazards.

- ▶ **In extreme conditions, always use a dust extractor if possible. Blow out ventilation slots frequently and install a residual current device (RCD) upstream.** When machining metals, conductive dust can settle inside the power tool, which can affect its protective insulation.

- ▶ **Have maintenance and repair work performed exclusively by a qualified specialist.** This will ensure that the safety of the power tool is maintained.

The retracting blade guard must always be able to move freely and retract automatically. It is therefore important to keep the area around the retracting blade guard clean at all times.

After-Sales Service and Application Service

Our after-sales service responds to your questions concerning maintenance and repair of your product as well as spare parts. You can find explosion drawings and information on spare parts at: www.bosch-pt.com

The Bosch product use advice team will be happy to help you with any questions about our products and their accessories.

In all correspondence and spare parts orders, please always include the 10-digit article number given on the nameplate of the product.

India

Bosch Service Center
69, Habibullah Road, (Next to PSBB School), T. Nagar
Chennai – 600077
Phone: (044) 64561816

Bosch Service Center
18, Community Center
Phase 1, Mayapuri
New Delhi – 110064
Phone: (011) 43166190

Bosch Service Center
Shop no 7&8, Aspen garden
Walbhat road, Goregaon (E)
Near to Ram Mandir Railway Station
Mumbai – 400063
Mobile: 09819952950

You can find further service addresses at:

www.bosch-pt.com/serviceaddresses

Disposal

The power tool, accessories and packaging should be recycled in an environmentally friendly manner.



Do not dispose of power tools along with household waste.

हिंदी

सुरक्षा निर्देश

पावर टूल सुरक्षा की सामान्य चेतावनियां

⚠ चेतावनियाँ इस पावर टूल में प्रदत्त समस्त सुरक्षा चेतावनियों, निर्देशों, चित्रणों और विनिर्देशों को पढ़ें। चेतावनियों और निर्देशों का अनुसरण करने में विफल होने के परिणामस्वरूप इलेक्ट्रिक शॉक, आग लगना और/या कोई गंभीर हानि हो सकती है।

भावी संदर्भ के लिए सभी चेतावनी और निर्देश सहजें।

चेतावनी में दी गई टर्म "पावर टूल" आपके मुख्य तार द्वारा संचालित (तार सहित) पावर टूल या बैटरी संचालित (तार रहित) पावर टूल से संबंधित है।

कार्य क्षेत्र सुरक्षा

- ▶ कार्य क्षेत्र साफ़ और अच्छी तरह उजला रखें। अव्यवस्थित या अंधकारपूर्ण क्षेत्र दुर्घटनाओं को आमंत्रित करते हैं।
- ▶ पावर टूलस को विस्फोटक वातावरण जैसे कि, ज्वलनशील द्रव्यों, गैसों या राख की उपस्थिति में संचालित न करें। पावर टूलस से चिंगारी निकलती है, जो कचरे या धुएं में आग लगा सकती है।
- ▶ पावर टूल संचालित करते समय बच्चों और आसपास खड़े लोगों को दूर रखें। ध्यान भंग होने के कारण आपका नियंत्रण खो सकते हैं।

विद्युत सुरक्षा

- ▶ पावर टूल प्लग आउटलेट से मेल खाना चाहिए। प्लग को किसी भी स्थिति में न सुधारें। ऐसे किसी एडॉप्टर का उपयोग न करें, जिसे भूसंपर्कित (ज़मीन में) पावर टूलस के साथ प्लग किया गया हो। अपरिवर्तित प्लग और मेल खाते हुए आउटलेट विजली के झटके का जोखिम कम करेंगे।
- ▶ अर्थिंग की गई या ज़मीन पर पड़ी चीज़ों, जैसे पाइप, रेडिएटर, रेंज और रेफ्रिजरेटर के साथ संपर्क में आने से बचें। यदि आपका शरीर ज़मीन के या ज़मीन पर पड़ी किसी वस्तु के संपर्क में आता है, तो विजली के झटके का खतरा बढ़ जाता है।
- ▶ पावर टूलस को बारिश या गीली स्थितियों में खुला न रखें। पावर टूल में पानी घुस जाने से विजली का झटका लगने का खतरा बढ़ जाएगा।
- ▶ कॉर्ड का अधिक दुरुपयोग न करें। कॉर्ड का उपयोग कोई चीज़ ले जाने, खींचने या पावर टूल को अनप्लग करने में कभी भी न करें। कॉर्ड को ऊष्मा, तेल, तेज़ धार या गतिमान पुर्जों से दूर रखें। क्षतिग्रस्त या उलझी हुई कॉर्ड से विजली के झटके का खतरा बढ़ जाता है।
- ▶ पावर टूल को आउटडोर में संचालित करते समय, आउटडोर के उपयोग हेतु उपयुक्त एक्स्टेंशन कॉर्ड का उपयोग करें। आउटडोर उपयोग के लिए उपयुक्त कॉर्ड का उपयोग करना विजली के झटके का जोखिम कम करता है।

- ▶ यदि पावर टूल को सीलनभरी जगह पर संचालित करना अनिवार्य हो तो, रेसीड्यूअल करंट डिवाइस (RCD) संरक्षित सप्लाइ का उपयोग करें। का उपयोग करने से विजली का झटका लगने का खतरा कम हो जाता है।

व्यक्तिगत सुरक्षा

- ▶ पावर टूल संचालित करते समय सजग रहें, अपने काम पर ध्यान दें और व्यावहारिक ज्ञान का उपयोग करें। थके होने पर या दवाओं, अल्कोहॉल या औषधि-प्रयोग के प्रभाव में होने पर पावर टूल का उपयोग न करें। पावर टूल संचालित करने के दौरान असावधान रहने पर व्यक्तिगत रूप से गंभीर चोट आ सकती है।
- ▶ व्यक्तिगत सुरक्षा उपकरण का उपयोग करें। आँखों की सुरक्षा के लिए हमेशा कुछ पहनें। सुरक्षा उपकरण, जैसे धूल मास्क, फिसलन रहित सुरक्षा जूते, मजबूत टोपी, या उचित परिस्थितियों के लिए उपयोग की जाने वाली कानों की सुरक्षा जैसे सुरक्षा उपकरण व्यक्तिगत हानि को कम कर देंगे।
- ▶ अनजाने में शुरू करने से बचें। पावर सोर्स और/या बैटरी पैक को कनेक्ट करने, टूल को उठाने या ले जाने से पहले सुनिश्चित कर लें कि स्विच बंद स्थिति में है। पावर टूल ले जाते समय स्विच पर उंगली होना या चालू स्विच में पावर टूल को लगाना दुर्घटनाओं को आमंत्रित कर सकता है।
- ▶ पावर टूल को चालू करने से पहले किसी भी समायोजन कुंजी निकाल दें या खींच लें। पावर टूल के घूमने वाले भाग से जुड़ी कोई कुंजी खींचने या निकालने से व्यक्तिगत हानि हो सकती है।
- ▶ अति-विश्वास से बचें। हर समय पैरों को ठीक से जमाए रखें और संतुलन में रखें। ऐसा करना अनपेक्षित स्थितियों में पावर टूल के नियंत्रण को और बेहतर बनाता है।
- ▶ कपड़े अच्छे-से पहनें। ढीले कपड़े या आभूषण न पहनें। अपने बालों, कपड़ों और दस्तानों को चलित पुर्जों से दूर रखें। ढीले कपड़े, आभूषण या लंबे बाल चलित पुर्जों में फँस सकते हैं।
- ▶ यदि उपकरण धूल निष्कर्षण और सुविधा संग्रह के कनेक्शन के लिए प्रदान किए जाते हैं, तो सुनिश्चित करें कि वो कनेक्ट हों और उचित रूप से उपयोग किए जाते हों। धूल संग्रह का उपयोग करना धूल-संबंधी खतरों को कम कर सकता है।
- ▶ उपकरणों का बार-बार उपयोग करने के बाद इनके साथ अभ्यस्त होने पर उपकरण सुरक्षा सिद्धांतों को अनदेखा नहीं करें। एक छोटी सी असावधानी कुछ ही सेकंड में गंभीर चोट का कारण बन सकती है।

पावर टूल उपयोग और देखभाल

- ▶ पावर टूल पर ज़ोर न लगाएं। अपनी एप्लिकेशन के लिए सही पावर टूल का उपयोग करें। सही पावर टूल जिसके लिए बनाया गया था, उसके हिसाब से बेहतर और सुरक्षित कार्य करेगा।
- ▶ यदि स्विच चालू और बंद न होता हो, तो पावर टूल का उपयोग न करें। ऐसा कोई भी पावर टूल जिसे स्विच से नियंत्रित नहीं किया जा सकता है, खतरनाक है और उसे सुधारा जाना चाहिए।

- ▶ कोई समायोजन करने, एक्सेसरीज़ बदलने या पावर टूल संग्रहीत करने के लिए पावर के स्रोत से प्लग निकालें और/या पावर टूल से बैटरी पैक निकालें, यदि अलग करने योग्य हो। इस तरह के सुरक्षात्मक उपाय पावर टूल के अचानक चालू हो जाने के जोखिम को कम करते हैं।
 - ▶ निष्क्रिय पावर टूल को बच्चों की पहुंच से बाहर रखें और पावर टूल चलाने के लिए बिजली के उपकरण या इन निर्देशों से अनभिज्ञ लोगों को अनुमति न दें। अप्रशिक्षित उपयोगकर्ताओं के हाथों में पावर टूल का होना खतरनाक है।
 - ▶ पावर टूल और एक्सेसरीज़ का रखरखाव करें। चलित पुर्जों के अलाइनमेंट के गड़बड़ाने या बाध्यकारी होने, पुर्जों के टूटने और ऐसी किसी भी स्थिति की जाँच करें, जो पावर टूल के संचालन को प्रभावित कर सकती है। यदि क्षतिग्रस्त है, तो उपयोग से पहले पावर टूल को सुधारना होगा। कई हादसे पावर टूल के खराब रखरखाव के कारण होते हैं।
 - ▶ काटने वाले उपकरणों को तेज़ और साफ़ रखें। तेज़ कटाई की धार वाले कटिंग उपकरणों के ठीकठीक रखरखाव से इसे बाइंड करने की संभावना कम होती है और इसे नियंत्रित करना आसान होता है।
 - ▶ कार्य करने की स्थितियों और कार्य निष्पादित करने के लिए, इन निर्देशों के अनुसार, पावर टूल, एक्सेसरीज़ और टूल बिट आदि का उपयोग करें। संचालन हेतु पावर टूल का इन उद्देश्यों से अलग उपयोग खतरनाक हो सकता है।
 - ▶ हैंडल और ग्रासपिंग सतह को सूखा, साफ़ और ऑइल तथा ग्रीज़ से मुक्त रखें। फिसलने वाले हैंडल और ग्रासपिंग सतहों के कारण अनपेक्षित स्थितियों में टूल की सुरक्षित हैंडलिंग और नियंत्रण पर बुरा प्रभाव पड़ता है।
- सेवा**
- ▶ केवल समान प्रतिस्थापन भागों का उपयोग करने वाले किसी योग्य मरम्मतकर्ता द्वारा ही अपने पावर टूल की मरम्मत करवाएँ। यह सुनिश्चित करेगा कि पावर टूल की सुरक्षा का सही रखरखाव किया गया है।
- कट-ऑफ़ मशीन सुरक्षा चेतावनियाँ**
- ▶ स्वयं को और आसपास खड़े लोगों को रोटेटिंग व्हील से दूर रखें। गार्ड संचालक को पहिए के टुकड़ों और दुर्घटनावश पहिए के संपर्क में आने से बचाता है।
 - ▶ अपने पावर टूल के लिए बॉन्डेड रेनफोर्स्ड कट-ऑफ़ व्हील का ही इस्तेमाल करें। सिर्फ इसलिए कि आपके पावर टूल से एक्सेसरी को जोड़ा जा सकता है, यह सुरक्षित संचालन के लिए आश्वस्त नहीं करती है।
 - ▶ एक्सेसरी की निर्धारित गति कम से कम पावर टूल पर चिह्नित अधिकतम गति के बराबर होना चाहिए। निर्धारित गति से तेज़ चल रही एक्सेसरी टूट सकती है और अलग हो सकती है।
 - ▶ पहियों का उपयोग केवल सुझाए गए एप्लिकेशन के लिए ही करें। उदाहरण के लिए: कट-ऑफ़ व्हील के एक ओर से ग्राइंड नहीं करें। अपघर्षक कट-ऑफ़ व्हील का उद्देश्य पेरिफेरल ग्राइंडिंग है, एक ओर से लगने वाले बल से यह पहिए टूट सकते हैं।

- ▶ हमेशा अपने चयनित पहिए के लिए ऐसे अक्षतिग्रस्त व्हील फ्लैज का उपयोग करें जिनका व्यास सही हो। सही व्हील फ्लैज पहिए को सहारा देते हैं जिससे पहिए के टूटने की आशंका कम हो जाती है।
- ▶ आपकी एक्सेसरी का बाहरी व्यास और मोटाई आपके पावर टूल की क्षमता दर के अंदर होना चाहिए। गलत आकार की एक्सेसरी को पर्याप्त रूप से संरक्षित या नियंत्रित नहीं किया जा सकता है।
- ▶ पहियों और फ्लैज का आर्बर आकार पावर टूल के सिंडल में ठीक से फिट होना चाहिए। आर्बर होल वाले पहिए और फ्लैज जो पावर टूल के माउंटिंग हार्डवेयर के समान नहीं होते हैं, वे असंतुलित हो जाएंगे, उनमें अत्यधिक कंपन होगा और वे अनियंत्रित भी हो सकते हैं।
- ▶ क्षतिग्रस्त पहियों का उपयोग न करें। प्रत्येक उपयोग से पहले चिपस और दरारों के लिए पहियों का निरीक्षण करें। अगर पावर टूल या पहिया गिरता है तो नुकसान की निगरानी करें या अक्षतिग्रस्त पहिया लगाएं। पहिए का निरीक्षण करने और लगाने के बाद खुद को और आसपास खड़े लोगों को रोटेटिंग व्हील से दूर खड़ा करें और एक मिनट के लिए पावर टूल को बिना भार के अधिकतम गति पर चलाएं। क्षतिग्रस्त पहिए इस परीक्षण समय के दौरान सामान्य रूप से टूट जाएंगे।
- ▶ निजी सुरक्षा उपकरण पहनें। एप्लिकेशन के आधार पर फेस शील्ड, सुरक्षा चश्मे या सुरक्षा ग्लासेस पहनें। उपयुक्त हो तो डस्ट मास्क, सुनने संबंधी रक्षक, दस्ताने और शॉप एप्रन पहने जो छोट-छोटे सख्त या कामकाज के दौरान निकले टुकड़ों को रोकने में सक्षम हैं। आँखों की सुरक्षा के उपकरण विभिन्न संचालनों से उत्पन्न मलबे को रोकने में सक्षम होना चाहिए। डस्ट मास्क या रेस्पिरैटर आपके संचालन से उत्पन्न कणों को छानने के लिए सक्षम होना चाहिए। लंबे समय तक तेज़ आवाज़ के संपर्क में आने से सुनने की क्षमता खो सकती है।
- ▶ आसपास खड़े लोगों को कार्य क्षेत्र से सुरक्षित दूरी पर रखें। कार्य क्षेत्र में प्रवेश करने वालों को निजी सुरक्षा उपकरण पहनना आवश्यक है। वस्तु या टूटे हुए पहिए के टुकड़े उड़ सकते हैं और संचालन के निकटतम क्षेत्र से बाहर क्षति पहुँचा सकते हैं।
- ▶ कॉर्ड को स्पिनिंग एक्सेसरी से दूर रखें। अगर आप नियंत्रण खो देते हैं तो कॉर्ड कट या फट सकती है और आपका हाथ या कलाई घूमते हुए पहिए के अंदर आ सकता है।
- ▶ पावर टूल के वायु छिद्रों को नियमित रूप से साफ़ करें। मोटर का फैन आवास के अंदर धूल खींच सकता है और पाउडर धातु के अत्यधिक संचय से बिजली संबंधी खतरा पैदा हो सकता है।
- ▶ पावर टूल को ज्वलनशील सामान के पास संचालित न करें। पावर टूल को लकड़ी जैसे शीघ्र जलने वाली सतह पर संचालित न करें। चिंगारी से इस सामान में आग लग सकती है।
- ▶ उन एक्सेसरी का उपयोग न करें जिसमें लिक्विड कूलन्ट की आवश्यकता होती है। पानी या अन्य लिक्विड कूलन्ट के उपयोग का नतीजा बिजली से मौत या झटका हो सकता है।

किकबैक और संबंधित चेतावनियाँ

किसी छेद वाले या फटे हुए घूमते हुए पहिए में अचानक होने वाली प्रतिक्रिया किकबैक कहलाती है। छेद होने या फटने पर घूमते हुए पहिए में तेजी से अवरोध उत्पन्न होता है, जिसके परिणामस्वरूप अनियंत्रित कटिंग इकाई ऊपर संचालक की ओर बलाघोषित करती है।

उदाहरण के लिए, अगर अपघर्षक पहिया वस्तु से फट जाता है या उसमें छेद हो जाते हैं, इससे छेद में जाने वाला पहिए का किनारा सामान की सतह को खोद सकता है जिससे पहिया बाहर निकाला जा सकता है। अपघर्षक पहिए इन परिस्थितियों में टूट भी सकते हैं।

किकबैक पावर टूल के दुरुपयोग और/या गलत संचालन प्रक्रियाओं या परिस्थितियों का नतीजा है और इसे नीचे बताई गई उचित सावधानियों की मदद से बचा जा सकता है।

- ▶ **पावर टूल पर मजबूत पकड़ रखें और अपने शरीर और हाथ को इस तरह रखें कि वह किकबैक का बल झेलने की अनुमति देता है।** उचित सावधानी बरतने पर संचालक ऊपरी किकबैक बलों को नियंत्रित कर सकता है।
- ▶ **अपने शरीर को घूमते हुए पहिए के सामने न रखें।** अगर किकबैक होता है तो वह काटने की ईकाई को संचालक की ओर धकेल देगा।
- ▶ **साँ चैन, बुडकाविंग ब्लेड, 10 मिमी से अधिक घेरे का सेगमेंटेड डायमंड व्हील या दांत वाला आरी का ब्लेड नहीं जोड़ें।** ऐसी ब्लेड लगातार किकबैक और नियंत्रण में क्षति पैदा करती हैं।
- ▶ **पहिए को "जाम" न करें या अत्यधिक दबाव न डालें।** कट की अत्यधिक गहराई बनाने का प्रयास न करें। पहिए पर अत्यधिक बल डालने से भार और पहिए के कट में मोड़ने या जाम होने की संवेदनशीलता और किकबैक या पहिया टूटने की संभावना बढ़ जाती है।
- ▶ **जब पहिए में जाम होता है या किसी कारण से कट को रोका जाता है तो पावर टूल को बंद कर दें और पहिए के पूरी तरह रुकने तक काटने की ईकाई को स्थिर रखें।** जब पहिया गतिवान हो तो उसे कट से बाहर निकालने की कोशिश न करें अन्यथा किकबैक हो सकता है। पहिए को जाम होने की वजह को हटाने के लिए जाँच करें और सुधारात्मक कार्रवाई करें..
- ▶ **वस्तु में काटने का संचालन दोबारा शुरू न करें।** पहिए को पूर्ण गति तक पहुँचने दें और सावधानीपूर्वक कट में दोबारा प्रवेश करने दें। अगर पावर टूल को वस्तु में दोबारा शुरू किया जाता है तो पहिया जाम हो सकता है, पास आ सकता है या किकबैक हो सकता है।
- ▶ **पहिए में छेद होने और किकबैक का खतरा कम करने के लिए किसी बड़े आकार की वस्तु को सहारा दें।** बड़ी वस्तुएँ अपने ही भार के दबाव में आ जाती हैं। वस्तु के नीचे सहारे को कट की रेखा और पहिए के दोनों ओर वस्तु के किनारे के पास रखना चाहिए।

अतिरिक्त सुरक्षा जानकारी

- ▶ **उपयोग न होने पर पावर टूल को सुरक्षित रूप से रखें।** रखने का स्थान सूखा और ताला लगाने लायक होना

चाहिए। इससे पावर टूल को रखने से होने वाली क्षति और अप्रशिक्षित लोगों द्वारा संचालित करने से बचाया जा सकता है।

- ▶ **वस्तु को हमेशा मजबूती से स्थान पर रखें। उन वस्तुओं पर काम न करें जो दबाए जाने के लिए बेहद छोटी हैं।** अन्यथा, आपके हाथ और रोटेटींग कटिंग डिस्क के बीच में दूरी बेहद कम हो जाएगी।
- ▶ **केबल की नियमित रूप से जाँच करें और क्षतिग्रस्त केबल को बाँस पावर टूल के लिए अधिकृत ग्राहक सेवा एजेंट द्वारा ही ठीक करवाएँ। क्षतिग्रस्त एक्सटेंशन केबल को बदल दें।** यह सुनिश्चित करेगा कि पावर टूल की सुरक्षा कायम है।
- ▶ **कभी भी पावर टूल पर खड़े न हों।** पावर टूल के पलटने पर या अगर आप अनजाने में आरी के ब्लेड के संपर्क में आ जाते हैं तो गंभीर चोटें लग सकती हैं।
- ▶ **हमेशा सुरक्षात्मक गार्ड का उपयोग करें।** सुरक्षात्मक गार्ड उपयोगकर्ताओं को कटिंग डिस्क से टूटने वाले सभी हिस्सों से सुरक्षित रखता है और कटिंग डिस्क से अनजाने में संपर्क में आने से बचाता है।
- ▶ **पावर टूल को बंद करने के बाद कटिंग डिस्क को एक ओर से दबाव डालकर नहीं रोकें।** कटिंग डिस्क क्षतिग्रस्त हो सकती है, टूट सकती है या इससे किकबैक हो सकता है।
- ▶ **कभी भी टूल को पूरी तरह बंद होने से पहले अकेला न छोड़ें।** लगातार चल रहे कटिंग टूल से चोट लग सकती है।

चिन्ह

निम्न चिन्ह आपके पावर टूल के उपयोग के लिए महत्वपूर्ण हो सकते हैं। इन चिन्हों और उनके अर्थ को याद रखें। इन चिन्हों को सही से समझकर आप पावर टूल को बेहतर और अधिक सुरक्षित ढंग से उपयोग कर सकते हैं।

चिन्ह और उनका अर्थ



जब पावर टूल चल रहा हो तो अपने हाथों को कटाई क्षेत्र में न लाएं। कटिंग ब्लेड से संपर्क में आने पर चोट लगने का खतरा है।



सुरक्षा चश्मे पहने।



श्रवण सुरक्षा उपकरण पहनें। शोर के कारण बहरापन हो सकता है।



धूल से सुरक्षा के लिए मास्क पहनें।

चिन्ह और उनका अर्थ



हाथों में सुरक्षा दस्ताने पहनें। कटिंग ब्लेड बहुत तेज होते हैं और काम के दौरान बहुत गर्म हो जाते हैं।

उत्पाद और सेवा का विवरण



सभी सुरक्षा चेतावनियां और निर्देश सुरक्षा चेतावनियों और निर्देशों का पालन नहीं करने पर बिजली का झटका, आग और गंभीर चोट लगने का खतरा है।

कृपया संचालन निर्देश के अगले भाग में दिए गए चित्रों पर ध्यान दें।

लक्षित उद्देश्य के लिए उपयोग

पावर टूल को एक स्थिर टूल के रूप में कटिंग डिस्क की मदद से तथा पानी का उपयोग किए बिना, सीधी कटाई प्रक्रिया से और 45° तक के क्षैतिज मीटर कोण वाले धातुओं के आड़े और सीधे टुकड़े काटने हेतु डिज़ाइन किया गया है। डायमंड कट कटिंग डिस्क के उपयोग की अनुमति नहीं है।

चित्रित घटक

चित्रित घटकों की नंबरिंग ग्राफिक पेज पर पावर टूल के चित्रण को संदर्भित करती है।

- (1) चालू/बंद स्विच के लिए लॉकिंग कुंजी
- (2) चालू/बंद स्विच
- (3) हैंडल
- (4) पेंडुलम कवर
- (5) धुरी लॉक
- (6) कटिंग डिस्क
- (7) एंगल स्टॉप
- (8) लॉकिंग धुरी
- (9) त्वरित रिलीज़
- (10) धुरी का हैंडल
- (11) एसेंबली के लिए छिद्र
- (12) हेक्स कुंजी (8 मिमी)
- (13) बेस प्लेट
- (14) एंगल स्टॉप के लिए लॉकिंग बोल्ट
- (15) ट्रांसपोर्ट लॉक
- (16) टूल आर्म
- (17) ट्रांसपोर्ट हैंडल
- (18) सुरक्षा कवर
- (19) चिंगारियों से बचने हेतु सुरक्षा कवर
- (20) टूल धुरी

- (21) क्लैम्पिंग फ्लैज
- (22) वॉशर
- (23) हेक्स बोल्ट

तकनीकी डेटा

एंगल ग्राइंडर	GCO 220	
आर्टिकल संख्या	3 601 M37 3..	
मूल्यांकित इनपुट पावर	W	2200
लोड-रहित संचालन गति	/मि	3800
बेस प्लेट के डायमेंशन	मिमी	288 x 480 x 82
वजन EPTA-Procedure 01:2014 के अनुसार	किग्रा	15.0
सुरक्षा श्रेणी	□ / II	

वर्क पीस का अनुमत आकार (अधिकतम/न्यूनतम): (देखें „वर्क पीस का अनुमत आकार“, पेज 19)

सुयोग्य कटिंग डिस्क का आकार

कटिंग डिस्क का अधिकतम व्यास	मिमी	355
कटिंग डिस्क की अधिकतम मोटाई	मिमी	3
छिद्र का व्यास	मिमी	25.4

आंकड़े 230 V के एक रेटेड वोल्टेज [U] के लिए हैं।वोल्टेज परिवर्तन और देश-विशिष्ट डिज़ाइनों के अनुसार यह प्रमाण अलग हो सकते हैं।

मूल्य उत्पाद के अनुसार अलग हो सकते हैं और ये उपयोग और पर्यावरण की स्थितियों पर आधारित हैं।अधिक जानकारी के लिए देखें www.bosch-professional.com/wac1

असेंबली

- **पावर टूल का आकस्मिक शुरू होना टालें। पावर टूल की असेंबली करते समय या इस पर कोई काम करते समय प्लग बिजली की आपूर्ति से कनेक्ट नहीं होना चाहिए।**

डिलीवरी

सप्लाय किये गए सभी घटकों को सावधानी से उनकी पैकेजिंग से निकालें।

पावर उपकरण एवं साथ में सप्लाय किये गए सहायक उपकरणों से पैकिंग सामग्री पूरी तरह हटाएं।

पावर टूल को पहली बार चलाने से पहले यह जांचें कि नीचे दिए गए सभी घटकों की सप्लाय की गयी है।

– असेंबल किए हुए एंगल ग्राइंडर के साथ कटिंग डिस्क

– हेक्स कुंजी (12)

निर्देश: पावर टूल में किसी भी प्रकार की संभावित क्षति की जांच करें।

पावर टूल के अगले उपयोग से पहले जांचें कि सुरक्षा उपकरण अथवा हल्के क्षतिग्रस्त हिस्से निर्बाध और समुचित रूप से कार्य कर रहे हैं।जांचें कि गतिशील घटक सहजता से कार्य करते हैं और अटकते नहीं हैं या घटक क्षतिग्रस्त तो नहीं हैं।निर्बाध संचालन सुनिश्चित करने के लिए आवश्यक है कि सभी भाग ठीक से लगाए

जाएं और सभी शर्तों को पूरा किया जाए।
क्षतिग्रस्त सुरक्षा उपकरणों एवं घटकों की मरम्मत या अदला-बदली किसी अधिकृत वर्कशॉप से कराई जानी चाहिए।

स्थिर या अस्थिर असेंबली

► **पावर टूल के सुरक्षित उपयोग को सुनिश्चित करने हेतु उसे एक सपाट और स्थिर कार्य सतह (जैसे, बर्क बेंच) पर स्थापित करें।**

किसी कार्य सतह पर असेंबली (चित्र A देखें)

– पावर टूल को सुयोग्य पेंच कनेक्शन के द्वारा कार्य सतह पर फिक्स करें। इसके लिए छिद्रों का उपयोग करें (11)।

अस्थिर असेंबली (अनुशंसित नहीं!)

यदि विशिष्ट परिस्थितियों में पावर टूल को किसी कार्य सतह पर स्थिर रूप से लगाना संभव न हो, तो आप एक अंतरिम उपाय के रूप में बेस प्लेट का स्टैंड (13) एक समुचित आधार (जैसे, बर्क बेंच, समतल फर्श आदि) पर रख सकते हैं, और पावर टूल को कसने की आवश्यकता नहीं है।

कटिंग डिस्क बदलें (चित्र B1-B2 देखें)

► **पावर टूल पर कोई कार्य करते समय प्लग को सॉकेट से निकाल लें।**

► **धुरी लॉक (5) को तभी लगाएं जब टूल की धुरी (20) स्थिर अवस्था में हो।** अन्यथा पावर टूल खराब हो सकता है।

► **काम के बाद कटिंग डिस्क को छूने से पहले इसके ठंडा होने की प्रतीक्षा करें।** काम के दौरान कटिंग डिस्क बहुत गरम हो जाता है।

केवल ऐसे कटिंग डिस्क उपयोग करें, जो इन संचालन निर्देशों में दिए गए विवरणों के अनुरूप हों और EN 12413 प्रमाणित और तदनुसार चिह्नित किए गए हों।

कटिंग डिस्क को संभावित रूप से सफाया किए गए लेयर पैड के साथ उपयोग करें।

उपयोग नहीं हुए कटिंग डिस्क को एक बंद डब्बे में या उनकी मूल पैकिंग में रखें। कटिंग डिस्क लिटाकर न रखे जाएं।

कटिंग डिस्क निकालना

– पावर टूल को कार्य अवस्था में लाएं।

– पेंडुलम कवर (4) पिछले स्टॉप तक घुमाएं।

– हेक्स बोल्ट (23) को डिलीवरी के साथ आई हेक्स कुंजी (12) की सहायता से घुमाएं, और साथ ही साथ, धुरी लॉक (5) को तब तक दबाएं, जब तक यह सही से फंस न जाए।

– धुरी लॉक को दबाए रखें और हेक्स बोल्ट (23) को बाहर की तरफ घुमाएं।

– वॉशर (22) और क्लैम्पिंग फ्लैज (21) को बाहर निकालें।

– कटिंग डिस्क (6) को बाहर निकालें।

कटिंग डिस्क लगाएं

यदि आवश्यक हो, तो लगाने से पहले सभी पुर्जों की सफाई करें।

– नया कटिंग डिस्क टूल धुरी (20) पर इस तरह लगाएं, कि लेबल टूल आर्म से दूर रहे।

– इसके ऊपर क्लैम्पिंग फ्लैज (21), वॉशर (22) और हेक्स बोल्ट (23) को रखें। धुरी लॉक (5) को तब तक दबाएं जब तक यह सही से फंस न जाए और हेक्स बोल्ट (23) को घड़ी चलने की दिशा में दोबारा कस दें। (टाइटनिंग टॉर्क लगभग 18-20 Nm)

– पेंडुलम कवर (4) को धीरे धीरे पूरा नीचे ले जाएं, जब तक कटिंग डिस्क ढक न जाए।

– यह सुनिश्चित करें कि पेंडुलम कवर (4) समुचित ढंग से कार्य कर रहा हो।

कटिंग डिस्क लगाने के बाद और चालू करने से पहले जांचें कि कटिंग डिस्क सही से लगा हुआ है और वह स्वतंत्र रूप से घूम सकता है।

– सुनिश्चित करें, कि कटिंग डिस्क पेंडुलम कवर (4) को, कसे हुए कवर (18) अथवा किसी दूसरे पुर्जे को स्पर्श न कर रहा हो।

– पावर टूल को लगभग 30 सेकेंड के लिए चलाएं।

अगर बहुत अधिक कंपन महसूस हो तो पावर टूल को तुरंत बंद करें और कटिंग ब्लेड को फिर से निकालें और लगाएं।

संचालन

► **पावर टूल पर कोई कार्य करते समय प्लग को सॉकेट से निकाल लें।**

ट्रांसपोर्ट लॉक (चित्र C देखें)

ट्रांसपोर्ट लॉक (15) पावर टूल को प्रयोग के लिए विभिन्न स्थानों पर ले जाने समय आसानी से सुरक्षा सुनिश्चित करता है।

पावर टूल को रिलीज़ करें (कार्य अवस्था)

– टूल आर्म के हैंडल (3) को थोड़ा सा नीचे की तरफ दबा कर ट्रांसपोर्ट लॉक (15) को खोल लें।

– ट्रांसपोर्ट लॉक (15) को पूरी तरह से बाहर निकाल लें।

– टूल आर्म को धीरे से ऊपर उठाएं।

सूचना:

– इस बात का ध्यान रखें कि परिवहन अवरोध अंदर की तरह दबा हुआ नहीं हो, अन्यथा टूल आर्म इच्छित गहराई तक नीचे नहीं किया जा सकेगा।

– अगर खींचते/धक्का देते समय ट्रांसपोर्ट सेफ्टी लॉक सख्त हो जाता है, तो इसे साफ करके मुलायम बनाना चाहिए ताकि यह आसानी से चल सके।

पावर टूल को सुरक्षित करें (ट्रांसपोर्ट अवस्था)

– टूल आर्म को तब तक नीचे ले जाएं, जब तक ट्रांसपोर्ट लॉक (15) पूरी तरह से नीचे दब नहीं जाता।

– ट्रांसपोर्ट सेफ्टी लॉक को रोज साफ करके मुलायम करें।

ट्रांसपोर्ट (देखें „ट्रांसपोर्ट“, पेज 19)।

शैतिज मीटर कोण को सेट करें (चित्र D देखें)

शैतिज मीटर कोण को 0° से 45° तक सेट किया जा सकता है। सेटिंग के लिए महत्वपूर्ण मान एंगल स्टॉप (7) पर समुचित चिह्नों के साथ दिए गए हैं। 0° और 45° की अवस्थाएं दोनों छोरों पर लगे स्टॉप द्वारा सुनिश्चित की जाती है।

– एंगल स्टॉप पर कसे बोल्ट (14) को डिलीवरी में आई हेक्स कुंजी (12) (8 मिमी) की सहायता से ढीला करें।

– इच्छित कोण सेट करें और दोनों बोल्ट (14) फिर से कस दें।

एंगल स्टॉप सेट करना

अगर आप बड़े वर्कपीस काटना चाहते हैं, तो आप एंगल गाइड (7) को पीछे की ओर ले जा सकते हैं।

- डिलीवरी में आई हेक्स कुंजी (14) (8 मिमी) की सहायता से कसे हुए बोल्ट (12) पूरी तरह ढीला कर लें।
- एंगल स्टॉप (7) को इच्छित दूरी के हिसाब से एक या दो छिद्र पीछे की तरफ ले जाएं।
- इच्छित कोण सेट करें और दोनों बोल्ट (14) फिर से कस दें।

वर्क पीस लगाएं (चित्र E देखें)

कार्य के दौरान अधिकतम सुरक्षा सुनिश्चित करने के लिए वर्क पीस को हमेशा मजबूती से कसा जाना चाहिए। इतने छोटे वर्क पीस पर काम न करें जिसे कसा नहीं जा सकता हो।

लंबे वर्क पीस को खुले छोर से संभाला या दबा कर रखा जाना चाहिए।

- वर्क पीस को एंगल स्टॉप (7) से लगा कर रखें।
- लॉकिंग धुरी (8) को वर्क पीस पर लगाएं और धुरी के हैंडल (10) की सहायता से वर्क पीस को कसें।

वर्क पीस को बाहर निकालें

- धुरी का हैंडल (10) हटाएं।
- त्वरित रिलीज़ (9) खोलें और लॉकिंग धुरी (8) को वर्क पीस से अलग कर दें।

प्रथम शुरुआत

ऑपरेटर की स्थिति (चित्र F देखें)

- ▶ पावर टूल के आगे कभी भी कटिंग डिस्क के साथ एक रेखा में न खड़े हों, बल्कि हमेशा कटिंग डिस्क के बगल की तरफ खड़े हों। इस तरह से, किसी कटिंग डिस्क के टूटने पर आपका शरीर बेहतर ढंग से सुरक्षित रहेगा।

चालू और बंद करना (चित्र G देखें)

- चालू करने के लिए चालू/बंद स्विच (2) को दबाएं और इसे दबाकर रखें।
- दबे हुए चालू/बंद स्विच (2) को स्थिर रखने के लिए लॉकिंग कुंजी (1) को दबाएं।
- बंद करने के लिए चालू/बंद स्विच (2) को मुक्त कर दें। लॉक हुए चालू/बंद स्विच के लिए इस तब तक धकेलें जब तक स्विच की पकड़ खुल नहीं जाती और इसके बाद चालू/बंद स्विच को छोड़ दें।

कार्य निर्देश


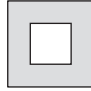
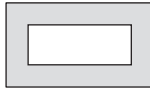

कटाई के विषय में सामान्य निर्देश

- ▶ काम के बाद कटिंग डिस्क को छूने से पहले इसके ठंडा होने की प्रतीक्षा करें। काम के दौरान कटिंग डिस्क बहुत गरम हो जाता है।
- ▶ सुनिश्चित करें कि चिंगारियों से बचने हेतु सुरक्षा शीट (19) सही से लगी हुई है। धातु की घिसाई के दौरान चिंगारियां उड़ सकती हैं।

कटिंग डिस्क को आघात, टकराव और ग्रीस से बचाएं। कटिंग डिस्क पर बगल की ओर से दबाव नहीं डालें। पावर टूल पर इतना अधिक लोड न डालें कि यह रुक जाए। बहुत अधिक मात्रा में फीड करने से पावर टूल की कार्यक्षमता बहुत कम हो जाती है और कटिंग डिस्क का जीवन काल भी घटता है।

कृपया कार्य सामग्री के अनुसार समुचित कटिंग डिस्क का प्रयोग करें।

वर्क पीस का अनुमत आकार अधिकतम वर्क पीस (मिमी में)

वर्क पीस के प्रकार	क्षैतिज मीटर कोण	
	0°	45°
	129 Ø	128 Ø
	119 x 119	110 x 110
	100 x 196	107 x 115
	130 x 130	115 x 115

न्यूनतम वर्क पीस

(=सभी वर्क पीस जिन्हें लॉकिंग धुरी (8) के द्वारा कसा नहीं जा सकता है): लंबाई 80 मिमी
कटाई की अधिकतम गहराई (0°/0°): 129 मिमी

धातु की कटाई

- आवश्यकता के अनुसार क्षैतिज मीटर कोण का ऐच्छिक समायोजन करें।
- माप के अनुसार वर्क पीस को कसें
- पावर टूल चालू करें।
- टूल आर्म को हैंडल (3) के द्वारा धीरे धीरे नीचे की तरफ ले जाएं
- समान फीड करते हुए वर्क पीस काटें।
- पावर टूल को बंद करें और कटिंग डिस्क के पूरी तरह रुकने का इंतज़ार करें।
- टूल आर्म को धीरे से ऊपर उठाएं।

ट्रांसपोर्ट

- पावर टूल को सदैव ट्रांसपोर्ट हैंडल (17) की सहायता से लाएं।
- ▶ पावर टूल का परिवहन करते समय हमेशा केवल ट्रांसपोर्ट के लिए प्रदान किए गए उपकरणों का उपयोग करें, सुरक्षा के लिए लगे उपकरणों का उपयोग कदापि नहीं करें।

देखभाल एवं सर्विस

देखभाल एवं सफाई

- ▶ पावर टूल पर कोई कार्य करते समय प्लग को सॉकेट से निकाल लें।
- ▶ अच्छी तरह काम करने के लिए और सुरक्षा के लिए, पावर टूल एवं बैटिलेशन स्लॉट्स को साफ रखें।

कनेक्शन केबल को बदलने की आवश्यकता पड़ने पर, सुरक्षा से सम्बंधित खतरों एवं जोखिमों से बचने के लिए इसे सिर्फ **Bosch** द्वारा या **Bosch** ग्राहक सेवा केंद्र द्वारा बदला जाना चाहिए या उनके द्वारा अधिकृत किया जाना चाहिए।

- ▶ **अपने विद्युत उपकरण के वेंटिलेशन स्लॉट्स की नियमित तौर पर सफाई करें।** मोटर ब्लोवर ब्रेकेट के अंदर धूल खिंच लेता है, और एक बड़ी मात्रा में धातु कणों का जमाव इलेक्ट्रिक खतरों का कारण बन सकता है।
- ▶ **दुष्कर कार्य परिस्थितियों में, यदि संभव हो तो, हमेशा एक निकास इकाई का उपयोग करें।** वेंटिलेशन के खांचों को ज्यादा से ज्यादा बार हवा से फूँकें और एक अवशेष करंट सुरक्षा स्विच (पीआरसीडी) को पहले से लगा लें। धातुओं पर काम करते समय विद्युत की सुचालक धूल पावर टूल के भीतर जा सकती है। पावर टूल का सुरक्षात्मक इन्सुलेशन में प्रभावित हो सकता है।
- ▶ **देखभाल और मरम्मत का कार्य किसी विशेषज्ञ से ही कराएं।** यह सुनिश्चित करता है कि पावर टूल की सुरक्षा बरकरार रहे।

पेंडुलम कवर हमेशा स्वतंत्र रूप से गति करना चाहिए और स्वतः बंद होने में सक्षम होना चाहिए। इसलिए पेंडुलम कवर के आसपास के क्षेत्र को हमेशा साफ रखें।

ग्राहक सेवा एवं उपयोग सलाह

ग्राहक सेवा आपके उनके उत्पादनों तथा देखभाल के विषय में आपके सवालों का जवाब देगी। स्पेयर पार्ट्स के बारे में अधिक जानकारी और विस्तृत (एक्सप्लोडेड) दृश्य यहां भी मिल सकते हैं: www.bosch-pt.com

Bosch की एप्लीकेशन परामर्श टीम हमारे उत्पादों और उनके सहायक उपकरणों के संदर्भ में आपके सभी प्रश्नों में आपकी सहायता करेगी।

पत्राचार के दौरान तथा स्पेयर पुर्जों का ऑर्डर देते समय, उत्पाद के लेबल पर दर्ज 10 अंको वाली आर्टिकल संख्या अवश्य प्रदान करें।

भारत

Bosch सर्विस सेंटर

69, हबीबुल्लाह रोड, (पीएसवीबी स्कूल के आगे), टी. नगर चेन्नई – 600077

फ़ोन: (044) 64561816

Bosch सर्विस सेंटर

18, कम्युनिटी

सेंटरफेस 1, मायापुरी

नई दिल्ली – 110064

फ़ोन: (011) 43166190

Bosch सर्विस सेंटर

शॉप नंबर 7 और 8, एस्पेन गार्डन

वालभट रोड, गोरेगांव (ई)

राम मंदिर रेल्वे स्टेशन के पास

मुंबई – 400063

मोबाइल: 09819952950

सर्विस से जुड़े अन्य पते यहाँ उपलब्ध हैं:

www.bosch-pt.com/serviceaddresses

निपटान

पावर टूल, सहायक उपकरणों और पैकेजिंग का पुनर्चक्रण पर्यावरण के अनुकूल किया जाना चाहिए।



बिजली उपकरणों का निपटान धरेलू कचरे में न करें!