



GSB Professional

183-LI



Robert Bosch Power Tools GmbH
70538 Stuttgart
GERMANY

www.bosch-pt.com

1 609 92A 9GW (2024.02) TAG / 14



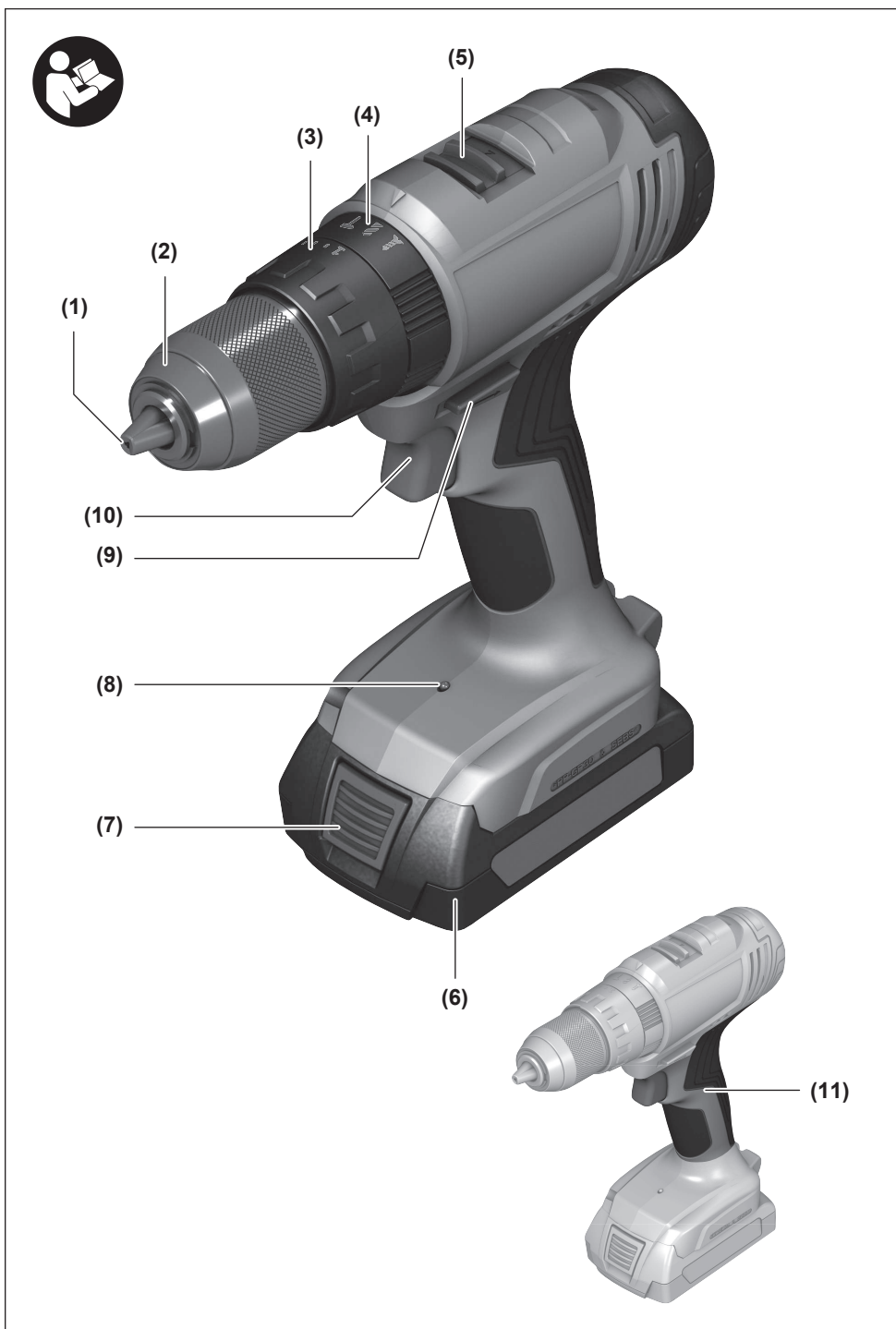
1 609 92A 9GW

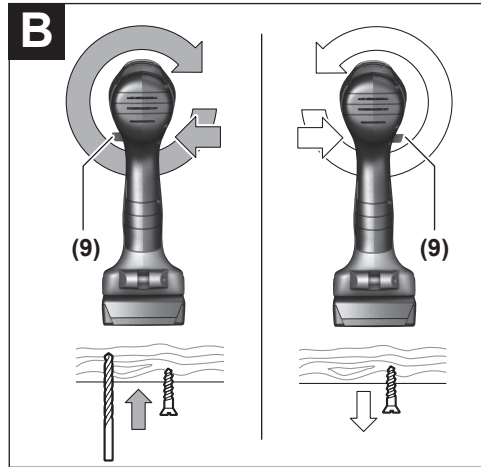
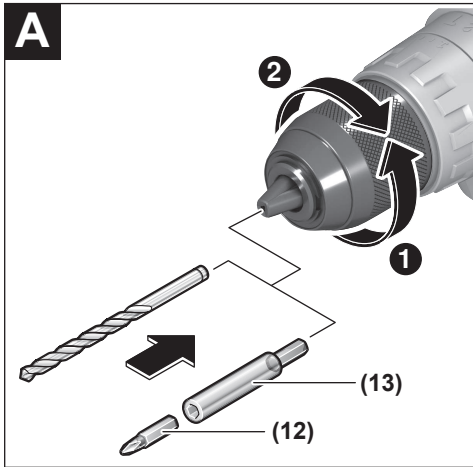
en Original instructions

hi मूल ऑपरेटिंग मैनुअल



English Page 5
हिंदी पेज 10





English

Safety Instructions

General Power Tool Safety Warnings

⚠ WARNING Read all safety warnings, instructions, illustrations and specifications provided with this power tool. Failure to follow all instructions listed below may result in electric shock, fire and/or serious injury.

Save all warnings and instructions for future reference.

The term "power tool" in the warnings refers to your mains-operated (corded) power tool or battery-operated (cordless) power tool.

Work area safety

- ▶ **Keep work area clean and well lit.** Cluttered or dark areas invite accidents.
- ▶ **Do not operate power tools in explosive atmospheres, such as in the presence of flammable liquids, gases or dust.** Power tools create sparks which may ignite the dust or fumes.
- ▶ **Keep children and bystanders away while operating a power tool.** Distractions can cause you to lose control.

Electrical safety

- ▶ **Power tool plugs must match the outlet. Never modify the plug in any way. Do not use any adapter plugs with earthed (grounded) power tools.** Unmodified plugs and matching outlets will reduce risk of electric shock.
- ▶ **Avoid body contact with earthed or grounded surfaces, such as pipes, radiators, ranges and refrigerators.** There is an increased risk of electric shock if your body is earthed or grounded.
- ▶ **Do not expose power tools to rain or wet conditions.** Water entering a power tool will increase the risk of electric shock.
- ▶ **Do not abuse the cord. Never use the cord for carrying, pulling or unplugging the power tool. Keep cord away from heat, oil, sharp edges or moving parts.** Damaged or entangled cords increase the risk of electric shock.
- ▶ **When operating a power tool outdoors, use an extension cord suitable for outdoor use.** Use of a cord suitable for outdoor use reduces the risk of electric shock.
- ▶ **If operating a power tool in a damp location is unavoidable, use a residual current device (RCD) protected supply.** Use of an RCD reduces the risk of electric shock.

Personal safety

- ▶ **Stay alert, watch what you are doing and use common sense when operating a power tool. Do not use a power tool while you are tired or under the influence of drugs, alcohol or medication.** A moment of inatten-

tion while operating power tools may result in serious personal injury.

- ▶ **Use personal protective equipment. Always wear eye protection.** Protective equipment such as a dust mask, non-skid safety shoes, hard hat or hearing protection used for appropriate conditions will reduce personal injuries.
- ▶ **Prevent unintentional starting. Ensure the switch is in the off-position before connecting to power source and/or battery pack, picking up or carrying the tool.** Carrying power tools with your finger on the switch or energising power tools that have the switch on invites accidents.
- ▶ **Remove any adjusting key or wrench before turning the power tool on.** A wrench or a key left attached to a rotating part of the power tool may result in personal injury.
- ▶ **Do not overreach. Keep proper footing and balance at all times.** This enables better control of the power tool in unexpected situations.
- ▶ **Dress properly. Do not wear loose clothing or jewellery. Keep your hair and clothing away from moving parts.** Loose clothes, jewellery or long hair can be caught in moving parts.
- ▶ **If devices are provided for the connection of dust extraction and collection facilities, ensure these are connected and properly used.** Use of dust collection can reduce dust-related hazards.
- ▶ **Do not let familiarity gained from frequent use of tools allow you to become complacent and ignore tool safety principles.** A careless action can cause severe injury within a fraction of a second.

Power tool use and care

- ▶ **Do not force the power tool. Use the correct power tool for your application.** The correct power tool will do the job better and safer at the rate for which it was designed.
- ▶ **Do not use the power tool if the switch does not turn it on and off.** Any power tool that cannot be controlled with the switch is dangerous and must be repaired.
- ▶ **Disconnect the plug from the power source and/or remove the battery pack, if detachable, from the power tool before making any adjustments, changing accessories, or storing power tools.** Such preventive safety measures reduce the risk of starting the power tool accidentally.
- ▶ **Store idle power tools out of the reach of children and do not allow persons unfamiliar with the power tool or these instructions to operate the power tool.** Power tools are dangerous in the hands of untrained users.
- ▶ **Maintain power tools and accessories. Check for misalignment or binding of moving parts, breakage of parts and any other condition that may affect the power tool's operation. If damaged, have the power tool repaired before use.** Many accidents are caused by poorly maintained power tools.

- ▶ **Keep cutting tools sharp and clean.** Properly maintained cutting tools with sharp cutting edges are less likely to bind and are easier to control.
- ▶ **Use the power tool, accessories and tool bits etc. in accordance with these instructions, taking into account the working conditions and the work to be performed.** Use of the power tool for operations different from those intended could result in a hazardous situation.
- ▶ **Keep handles and grasping surfaces dry, clean and free from oil and grease.** Slippery handles and grasping surfaces do not allow for safe handling and control of the tool in unexpected situations.

Battery tool use and care

- ▶ **Recharge only with the charger specified by the manufacturer.** A charger that is suitable for one type of battery pack may create a risk of fire when used with another battery pack.
- ▶ **Use power tools only with specifically designated battery packs.** Use of any other battery packs may create a risk of injury and fire.
- ▶ **When battery pack is not in use, keep it away from other metal objects, like paper clips, coins, keys, nails, screws or other small metal objects, that can make a connection from one terminal to another.** Shorting the battery terminals together may cause burns or a fire.
- ▶ **Under abusive conditions, liquid may be ejected from the battery; avoid contact. If contact accidentally occurs, flush with water. If liquid contacts eyes, additionally seek medical help.** Liquid ejected from the battery may cause irritation or burns.
- ▶ **Do not use a battery pack or tool that is damaged or modified.** Damaged or modified batteries may exhibit unpredictable behaviour resulting in fire, explosion or risk of injury.
- ▶ **Do not expose a battery pack or tool to fire or excessive temperature.** Exposure to fire or temperature above 130 °C may cause explosion.
- ▶ **Follow all charging instructions and do not charge the battery pack or tool outside the temperature range specified in the instructions.** Charging improperly or at temperatures outside the specified range may damage the battery and increase the risk of fire.

Service

- ▶ **Have your power tool serviced by a qualified repair person using only identical replacement parts.** This will ensure that the safety of the power tool is maintained.
- ▶ **Never service damaged battery packs.** Service of battery packs should only be performed by the manufacturer or authorized service providers.

Safety Warnings for Drills

Safety instructions for all operations

- ▶ **Wear ear protectors when impact drilling.** Exposure to noise can cause hearing loss.

- ▶ **Hold the power tool by insulated gripping surfaces, when performing an operation where the cutting accessory or fasteners may contact hidden wiring.** Cutting accessory or fasteners contacting a "live" wire may make exposed metal parts of the power tool "live" and could give the operator an electric shock.

Safety instructions when using long drill bits

- ▶ **Never operate at higher speed than the maximum speed rating of the drill bit.** At higher speeds, the bit is likely to bend if allowed to rotate freely without contacting the workpiece, resulting in personal injury.
- ▶ **Always start drilling at low speed and with the bit tip in contact with the workpiece.** At higher speeds, the bit is likely to bend if allowed to rotate freely without contacting the workpiece, resulting in personal injury.
- ▶ **Apply pressure only in direct line with the bit and do not apply excessive pressure.** Bits can bend causing breakage or loss of control, resulting in personal injury.

Additional safety warnings

- ▶ **Switch the power tool off immediately if the application tool becomes blocked. Be prepared for high torque reactions which cause kickback.** The application tool becomes blocked when it becomes jammed in the workpiece or when the power tool becomes overloaded.
- ▶ **Hold the power tool securely.** When tightening and loosening screws be prepared for temporarily high torque reactions.
- ▶ **Secure the workpiece.** A workpiece clamped with clamping devices or in a vice is held more secure than by hand.
- ▶ **Use suitable detectors to determine if there are hidden supply lines or contact the local utility company for assistance.** Contact with electric cables can cause fire and electric shock. Damaging gas lines can lead to explosion. Breaking water pipes causes property damage.
- ▶ **Always wait until the power tool has come to a complete stop before placing it down.** The application tool can jam and cause you to lose control of the power tool.
- ▶ **In case of damage and improper use of the battery, vapours may be emitted. The battery can set alight or explode.** Ensure the area is well ventilated and seek medical attention should you experience any adverse effects. The vapours may irritate the respiratory system.
- ▶ **Do not open the battery.** There is a risk of short-circuiting.
- ▶ **The battery can be damaged by pointed objects such as nails or screwdrivers or by force applied externally.** An internal short circuit may occur, causing the battery to burn, smoke, explode or overheat.
- ▶ **Only use the battery with products from the manufacturer.** This is the only way in which you can protect the battery against dangerous overload.



Protect the battery against heat, e.g. against continuous intense sunlight, fire, dirt, water and moisture. There is a risk of explosion and short-circuiting.



Product Description and Specifications



Read all the safety and general instructions.

Failure to observe the safety and general instructions may result in electric shock, fire and/or serious injury.

Please observe the illustrations at the beginning of this operating manual.

Intended use

The power tool is intended for tightening and loosening screws, as well as for drilling in wood, metal, ceramic and plastic and for impact drilling in brick, masonry and stone.

Product Features

The numbering of the product features refers to the diagram of the power tool on the graphics page.

- (1) Tool holder
- (2) Keyless chuck
- (3) Torque presetting ring
- (4) Operating mode presetting ring
- (5) Gear selector switch
- (6) Rechargeable battery^{a)}
- (7) Rechargeable battery release button^{a)}
- (8) Worklight (LED)
- (9) Rotational direction switch
- (10) On/off switch
- (11) Handle (insulated gripping surface)
- (12) Screwdriver bit^{a)}
- (13) Universal bit holder^{a)}

a) **Accessories shown or described are not included with the product as standard. You can find the complete selection of accessories in our accessories range.**

Technical Data

Cordless Impact Drill		GSB 183-LI
Article number		3 601 JK9 1..
Rated voltage	V=	18
No-load speed ^{A)B)}		
– First gear	min ⁻¹	0–440
– Second gear	min ⁻¹	0–1650
Max. torque for hard/soft screwdriving applications ^{A)B)}	Nm	56/21
Impact rate ^{A)B)}	min ⁻¹	24,000
Max. drilling diameter		

Cordless Impact Drill		GSB 183-LI
– Masonry	mm	10
– Steel	mm	10
– Wood	mm	35
Chuck capacity	mm	13
Max. screw diameter	mm	10
Weight according to EPTA-Procedure 01:2014 ^{B)}	kg	1.6 (2.0 Ah)– 2.6 (12.0 Ah)
Recommended ambient temperature during charging	°C	0 to +35
Permitted ambient temperature during operation ^{C)} and during storage	°C	–20 to +50
Recommended rechargeable batteries		GBA 18V... ProCORE18V...
Recommended chargers		GAL 18... GAX 18... GAL 36...

A) Measured at 20–25 °C with rechargeable battery **GBA 18V 2.0Ah**

B) Depends on battery in use

C) Limited performance at temperatures < 0 °C

Assembly

► **Remove the battery from the power tool before carrying out work on the power tool (e.g. maintenance, changing tool, etc.). The battery should also be removed for transport and storage.** There is risk of injury from unintentionally pressing the on/off switch.

Charging the Battery

► **Use only the chargers listed in the technical data.** Only these chargers are matched to the lithium-ion battery of your power tool.

Note: The battery is supplied partially charged. To ensure full battery capacity, fully charge the battery in the charger before using your power tool for the first time.

The lithium-ion battery can be charged at any time without reducing its service life. Interrupting the charging process does not damage the battery.

The lithium-ion battery is protected against deep discharge by the "Electronic Cell Protection (ECP)". When the battery is discharged, the power tool is switched off by means of a protective circuit: The accessory no longer rotates.

► **Do not continue to press the On/Off switch after the power tool has automatically switched off.** The battery can be damaged.

Follow the instructions on correct disposal.

Removing the Battery

The battery (6) is equipped with two locking levels to prevent the battery from falling out when pushing the battery release button (7) unintentionally. As long as the battery is in-

serted in the power tool, it is held in position by means of a spring.

To remove the battery (6), press the release button (7) and pull the battery out of the power tool. **Do not use force to do this.**

Changing the tool (see figure A)

- **Remove the battery from the power tool before carrying out work on the power tool (e.g. maintenance, changing tool, etc.). The battery should also be removed for transport and storage.** There is risk of injury from unintentionally pressing the on/off switch.

The drill spindle is locked when the on/off switch (10) is not pressed. This makes it possible to change the application tool in the drill chuck quickly, conveniently and easily.

Open the keyless chuck (2) by turning it in the direction of rotation ① until the tool can be inserted. Insert the tool.

Firmly tighten the keyless chuck (2) by turning it by hand in the direction of rotation ②. This will automatically lock the drill chuck.

Dust/Chip Extraction

Dust from materials such as lead-containing coatings, some wood types, minerals and metal can be harmful to one's health. Touching or breathing-in the dust can cause allergic reactions and/or lead to respiratory infections of the user or bystanders.

Certain dust, such as oak or beech dust, is considered carcinogenic, especially in connection with wood-treatment additives (chromate, wood preservative). Materials containing asbestos may only be worked by specialists.

- Provide for good ventilation of the working place.
- It is recommended to wear a P2 filter-class respirator.

Observe the relevant regulations in your country for the materials to be worked.

- **Avoid dust accumulation at the workplace.** Dust can easily ignite.

Operation

Starting Operation

Inserting the battery

Note: The use of batteries unsuitable for your power tool can lead to malfunctions or damage to the power tool.

Push the charged battery (6) into the base of the power tool from the front until the battery is securely locked.

Setting the rotational direction (see figure B)

- **Only operate the rotational direction switch (9) when the power tool is not in use.**

The rotational direction switch (9) is used to change the rotational direction of the power tool. However, this is not possible while the on/off switch (10) is being pressed.

Right rotation: To drill and to drive in screws, press the rotational direction switch (9) through to the left stop.

Left Rotation: To loosen and unscrew screws and nuts, press the rotational direction switch (9) through to the right stop.

Setting the operating mode



Drilling

Set the operating mode presetting ring (4) to the "drilling" symbol.



Screwdriving

Set the operating mode presetting ring (4) to the "screwdriving" symbol.

Set the torque presetting ring (3) to the required torque.



Impact drilling

Set the operating mode presetting ring (4) to the "impact drilling" symbol.

Switching on/off

To **start** the power tool, press and hold the on/off switch (10).

The LED (8) lights up when the on/off switch (10) is lightly or fully pressed, meaning that the work area is illuminated in poor lighting conditions.

To **switch off** the power tool, release the on/off switch (10).

LED worklight with status indicator



The LED worklight (8) is used as a status indicator for device protection and low battery status:

LED Feedback	Description
Flashing light 3x during operation	Battery status is low. The voltage level of the battery has fallen below the optimum value. The performance of the device is restricted.
Flashing light 3x during downtime	Device protection is active. Device protection has been activated to prevent the battery from consuming a large amount of power and to protect the device against damage.

- If the battery status is low, charge the battery (6) or replace the weak battery with a fully charged battery.

Adjusting the speed

You can adjust the speed of the power tool when it is on by pressing in the on/off switch (10) to varying extents.

A light pressure on the on/off switch (10) results in a low rotational speed. Increased pressure on the switch causes an increase in speed.

Preselecting torque (applies to screwdriving mode)

The torque presetting ring (3) can be used to pre-select the required torque in 20 stages. Once the set torque has been reached, the tool will stop delivering power to the application.

Mechanical gear selection

- ▶ **Only operate the gear selector (5) when the power tool is not in use.**

First gear:

Low speed range; for working with a large drilling diameter or for screwdriving.

Second gear:

High speed range; for working with a small drilling diameter.

- ▶ **Always push the gear selector switch as far as it will go.** Otherwise, the power tool may become damaged.

Temperature-dependent overload protection

In normal conditions of use, the power tool cannot be overloaded. If the power tool is overloaded or the battery temperature is not kept within the permitted range, the power tool switches off and the LED on the power tool flashes. Allow the power tool to cool down before you carry on working.

Fully automatic spindle lock (Auto-Lock)

The drill spindle, and therefore the tool holder (1), are locked when the on/off switch (10) is not pressed.

This enables screws to be screwed in even when the battery (6) is empty and allows the power tool to be used as a screwdriver.

Practical advice

- ▶ **Only apply the power tool to the screw when the tool is switched off.** Rotating application tools can slip off.

Before screwing larger, longer screws into hard materials, it is advisable to pre-drill a pilot hole with the core diameter of the thread to approx. 2/3 of the screw length.

An auxiliary tool can be used to remove the screwdriver bit or universal bit holder.

Maintenance and Service

Maintenance and Cleaning

- ▶ **Remove the battery from the power tool before carrying out work on the power tool (e.g. maintenance, changing tool, etc.). The battery should also be removed for transport and storage.** There is risk of injury from unintentionally pressing the on/off switch.
- ▶ **To ensure safe and efficient operation, always keep the power tool and the ventilation slots clean.**

After-Sales Service and Application Service

Our after-sales service responds to your questions concerning maintenance and repair of your product as well as spare parts. You can find explosion drawings and information on spare parts at: www.bosch-pt.com

The Bosch product use advice team will be happy to help you with any questions about our products and their accessories.

In all correspondence and spare parts orders, please always include the 10-digit article number given on the nameplate of the product.

India

Bosch Service Center
69, Habibullah Road, (Next to PSBB School), T. Nagar
Chennai – 600077

Phone: (044) 64561816

Bosch Service Center
18, Community Center
Phase 1, Mayapuri
New Delhi – 110064

Phone: (011) 43166190

Bosch Service Center
Shop no 7&8, Aspen garden
Walbhat road, Goregaon (E)
Near to Ram Mandir Railway Station
Mumbai – 400063
Mobile: 09819952950

You can find further service addresses at:

www.bosch-pt.com/serviceaddresses

Transport

The recommended lithium-ion batteries are subject to legislation on the transport of dangerous goods. The user can transport the batteries by road without further requirements.

When shipping by third parties (e.g.: by air transport or forwarding agency), special requirements on packaging and labelling must be observed. For preparation of the item being shipped, consulting an expert for hazardous material is required.

Dispatch battery packs only when the housing is undamaged. Tape or mask off open contacts and pack up the battery in such a manner that it cannot move around in the packaging. Please also observe the possibility of more detailed national regulations.

Disposal



Power tools, rechargeable batteries, accessories and packaging should be sorted for environmental-friendly recycling.



Do not dispose of power tools and batteries/rechargeable batteries into household waste!

Battery packs/batteries:

Li-ion:

Please observe the notes in the section on transport (see "Transport", page 9).

हिंदी

सुरक्षा निर्देश

पावर टूल सुरक्षा की सामान्य चेतावनियाँ

⚠ चेतावनियाँ इस पावर टूल में प्रदत्त समस्त सुरक्षा चेतावनियाँ, निर्देशों, चित्रणों और विनिर्देशों को पढ़ें। चेतावनियों और निर्देशों का अनुसरण करने में विफल होने के परिणामस्वरूप इलेक्ट्रिक शॉक, आग लगना और/या कोई गंभीर हानि हो सकती है।

भावी संदर्भ के लिए सभी चेतावनी और निर्देश सहजें।

चेतावनी में दी गई टर्म "पावर टूल" आपके मुख्य तार द्वारा संचालित (तार सहित) पावर टूल या बैटरी संचालित (तार रहित) पावर टूल से संबंधित है।

कार्य क्षेत्र सुरक्षा

- ▶ **कार्य क्षेत्र साफ़ और अच्छी तरह उजला रखें।** अव्यवस्थित या अंधकारपूर्ण क्षेत्र दुर्घटनाओं को आमंत्रित करते हैं।
- ▶ **पावर टूल को विस्फोटक वातावरण जैसे कि, ज्वलनशील द्रव्यों, गैसों या राख की उपस्थिति में संचालित न करें।** पावर टूल से चिंगारी निकलती है, जो कचरे या धुएँ में आग लगा सकती है।
- ▶ **पावर टूल संचालित करते समय बच्चों और आसपास खड़े लोगों को दूर रखें।** ध्यान भंग होने के कारण आपका नियंत्रण खो सकते हैं।

विद्युत सुरक्षा

- ▶ **पावर टूल प्लग आउटलेट से मेल खाना चाहिए।** प्लग को किसी भी स्थिति में न सुधारें। ऐसे किसी एडॉप्टर का उपयोग न करें, जिसे भूसंपर्कित (ज़मीन में) पावर टूल के साथ प्लग किया गया हो। अपरिवर्तित प्लग और मेल खाते हुए आउटलेट बिजली के झटके का जोखिम कम करेंगे।
- ▶ **अर्थिंग की गई या ज़मीन पर पड़ी चीज़ों, जैसे पाइप, रेडिएटर, रेंज और रेफ्रिजरेटर के साथ संपर्क में आने से बचें।** यदि आपका शरीर ज़मीन के या ज़मीन पर पड़ी किसी वस्तु के संपर्क में आता है, तो बिजली के झटके का खतरा बढ़ जाता है।
- ▶ **पावर टूल को बारिश या गीली स्थितियों में खुला न रखें।** पावर टूल में पानी घुस जाने से बिजली का झटका लगने का खतरा बढ़ जाएगा।
- ▶ **कॉर्ड का अधिक दुरुपयोग न करें।** कॉर्ड का उपयोग कोई चीज़ ले जाने, खींचने या पावर टूल को अनप्लग करने में कभी भी न करें। कॉर्ड को ऊष्मा, तेल, तेज़ धार या गतिमान पुर्जों से दूर रखें। क्षतिग्रस्त या उलझी हुई कॉर्ड से बिजली के झटके का खतरा बढ़ जाता है।
- ▶ **पावर टूल को आउटडोर में संचालित करते समय, आउटडोर के उपयोग हेतु उपयुक्त एक्स्टेंशन कॉर्ड का उपयोग करें।** आउटडोर उपयोग के लिए उपयुक्त कॉर्ड का उपयोग करना बिजली के झटके का जोखिम कम करता है।
- ▶ **यदि पावर टूल को सीलनभरी जगह पर संचालित करना अनिवार्य हो तो, रेसीड्यूअल करंट डिवाइस (RCD) संरक्षित सप्लाइ का उपयोग करें।** का उपयोग करने से बिजली का झटका लगने का खतरा कम हो जाता है।

व्यक्तिगत सुरक्षा

- ▶ **पावर टूल संचालित करते समय सजग रहें, अपने काम पर ध्यान दें और व्यावहारिक ज्ञान का उपयोग करें।** थके होने पर या दवाओं, अल्कोहॉल या औषधि-प्रयोग के प्रभाव में होने पर पावर टूल का उपयोग न करें। पावर टूल संचालित करने के दौरान असावधान रहने पर व्यक्तिगत रूप से गंभीर चोट आ सकती है।
- ▶ **व्यक्तिगत सुरक्षा उपकरण का उपयोग करें।** आँखों की सुरक्षा के लिए हमेशा कुछ पहनें। सुरक्षा उपकरण, जैसे धूल मास्क, फिसलन रहित सुरक्षा जूते, मज़बूत टोपी, या उचित परिस्थितियों के लिए उपयोग की जाने वाली कानों की सुरक्षा जैसे सुरक्षा उपकरण व्यक्तिगत हानि को कम कर देंगे।
- ▶ **अनजाने में शुरू करने से बचें।** पावर सोर्स और/या बैटरी पैक को कनेक्ट करने, टूल को उठाने या ले जाने से पहले सुनिश्चित कर लें कि स्विच बंद स्थिति में है। पावर टूल ले जाते समय स्विच पर उंगली होना या चालू स्विच में पावर टूल को लगाना दुर्घटनाओं को आमंत्रित कर सकता है।
- ▶ **पावर टूल को चालू करने से पहले किसी भी समायोजन कुंजी निकाल दें या खींच लें।** पावर टूल के घूमने वाले भाग से जुड़ी कोई कुंजी खींचने या निकालने से व्यक्तिगत हानि हो सकती है।
- ▶ **अति-विश्वास से बचें।** हर समय पैरों को ठीक से जमाए रखें और संतुलन में रहें। ऐसा करना अनपेक्षित स्थितियों में पावर टूल के नियंत्रण को और बेहतर बनाता है।
- ▶ **कपड़े अच्छे से पहनें।** ढीले कपड़े या आभूषण न पहनें। अपने बालों, कपड़ों और दस्तानों को चलित पुर्जों से दूर रखें। ढीले कपड़े, आभूषण या लंबे बाल चलित पुर्जों में फँस सकते हैं।
- ▶ **यदि उपकरण धूल निष्कर्षण और सुविधा संग्रह के कनेक्शन के लिए प्रदान किए जाते हैं, तो सुनिश्चित करें कि वो कनेक्ट हों और उचित रूप से उपयोग किए जाते हों।** धूल संग्रह का उपयोग करना धूल-संबंधी खतरों को कम कर सकता है।
- ▶ **उपकरणों का बार-बार उपयोग करने के बाद इनके साथ अभ्यस्त होने पर उपकरण सुरक्षा सिद्धांतों को अनदेखा नहीं करें।** एक छोटी सी असावधानी कुछ ही सेकंड में गंभीर चोट का कारण बन सकती है।

पावर टूल उपयोग और देखभाल

- ▶ **पावर टूल पर ज़ोर न लगाएं।** अपनी एप्लिकेशन के लिए सही पावर टूल का उपयोग करें। सही पावर टूल जिसके लिए बनाया गया था, उसके हिसाब से बेहतर और सुरक्षित कार्य करेगा।
- ▶ **यदि स्विच चालू और बंद न होता हो, तो पावर टूल का उपयोग न करें।** ऐसा कोई भी पावर टूल जिसे स्विच से नियंत्रित नहीं किया जा सकता है, खतरनाक है और उसे सुधारा जाना चाहिए।
- ▶ **कोई समायोजन करने, एक्सेसरीज़ बदलने या पावर टूल संग्रहीत करने के लिए पावर के स्रोत से प्लग निकालें और/या पावर टूल से बैटरी पैक निकालें, यदि अलग करने योग्य हो।** इस तरह के सुरक्षात्मक उपाय पावर टूल के अचानक चालू हो जाने के जोखिम को कम करते हैं।
- ▶ **निष्क्रिय पावर टूल को बच्चों की पहुँच से बाहर रखें और पावर टूल चलाने के लिए बिजली के उपकरण या इन**

निर्देशों से अनभिन्न लोगों को अनुमति न दें। अप्रशिक्षित उपयोगकर्ताओं के हाथों में पावर टूल्स का होना खतरनाक है।

- ▶ पावर टूल और एक्सेसरीज़ का रखरखाव करें। चलित पुज़ों के अलाइनमेंट के गड़बड़ाने या बाध्यकारी होने, पुज़ों के टूटने और ऐसी किसी भी स्थिति की जाँच करें, जो पावर टूल के संचालन को प्रभावित कर सकती है। यदि क्षतिग्रस्त है, तो उपयोग से पहले पावर टूल को सुधारना होगा। कई हादसे पावर टूल के खराब रखरखाव के कारण होते हैं।
- ▶ काटने वाले उपकरणों को तेज़ और साफ़ रखें। तेज़ कटाई की धार वाले कटिंग उपकरणों के ठीकठीक रखरखाव से इसे वाइंड करने की संभावना कम होती है और इसे नियंत्रित करना आसान होता है।
- ▶ कार्य करने की स्थितियों और कार्य निष्पादित करने के लिए, इन निर्देशों के अनुसार, पावर टूल, एक्सेसरीज़ और टूल बिट आदि का उपयोग करें। संचालन हेतु पावर टूल का इन उद्देश्यों से अलग उपयोग खतरनाक हो सकता है।
- ▶ हैंडल और ग्रासपिंग सतह को सूखा, साफ़ और ऑइल तथा ग्रीज़ से मुक्त रखें। फिसलने वाले हैंडल और ग्रासपिंग सतहों के कारण अनपेक्षित स्थितियों में टूल की सुरक्षित हैंडलिंग और नियंत्रण पर बुरा प्रभाव पड़ता है।

बैटरी टूल का उपयोग और देखभाल

- ▶ केवल निर्माता द्वारा निर्दिष्ट चार्जर से ही रीचार्ज करें। एक चार्जर जो एक किसी प्रकार के बैटरी पैक के लिए उपयुक्त है, किसी अन्य बैटरी पैक के साथ उपयोग किए जाने पर आग का खतरा पैदा कर सकता है।
- ▶ केवल विशेष रूप से तैयार किए गए बैटरी पैक के साथ ही पावर टूल का उपयोग करें। किसी अन्य बैटरी पैक का उपयोग चोट का या आग का खतरा पैदा कर सकता है।
- ▶ जब बैटरी पैक उपयोग में न आ रहा हो, तो जो एक टर्मिनल से दूसरे टर्मिनल के बीच संयोजन कर सकती हैं, धातु की ऐसी अन्य सामग्रियों को अलग रखें, जैसे पेपर क्लिप, पिछे, चाबी, कील, स्क्रू या धातु की अन्य छोटी चीज़ें। बैटरी टर्मिनलों को एक साथ छोटा करने से यह जल सकती है या आग लग सकती है।
- ▶ अनुचित स्थितियों में, द्रव्य बैटरी से बाहर निकल सकता है; संपर्क में लाने से बचें। यदि अनजाने में संपर्क हो भी जाता है, तो पानी से प्रलेश कर दें। अगर तरल पदार्थ आँखों के संपर्क में आता है तो अतिरिक्त चिकित्सकीय सहायता लें। बैटरी से निकले द्रव्य की वजह से जलन हो सकती है या आग लग सकती है।
- ▶ ऐसे बैटरी पैक या टूल का उपयोग न करें जो क्षतिग्रस्त या संशोधित हो। क्षतिग्रस्त या संशोधित बैटरी अप्रत्याशित व्यवहार प्रदर्शित कर सकती है जिससे आग, विस्फोट या चोट का खतरा हो सकता है।
- ▶ बैटरी पैक या टूल को आग या अत्यधिक तापमान से संपर्क में न आने दें। आग या 130°C से अधिक तापमान के संपर्क में आने से विस्फोट हो सकता है।
- ▶ चार्जिंग के सभी निर्देशों का पालन करें और बैटरी पैक या टूल को निर्देशों में बताए तापमान के बाहर चार्ज न करें। अनुचित तरीके से या निर्धारित रेंज के बाहर के तापमान में चार्ज करने से बैटरी क्षतिग्रस्त हो सकती है और आग का खतरा बढ़ सकता है।

सेवा

- ▶ केवल समान प्रतिस्थापन भागों का उपयोग करने वाले किसी योग्य मरम्मतकर्ता द्वारा ही अपने पावर टूल की मरम्मत करावाएँ। यह सुनिश्चित करेगा कि पावर टूल की सुरक्षा का सही रखरखाव किया गया है।
- ▶ क्षतिग्रस्त हुए बैटरी पैक की कभी भी सर्विस न करें। बैटरी पैक की सर्विस निर्माता या अधिकृत सर्विस प्रदाता द्वारा ही किया जाना चाहिए।

ड्रिलिंग मशीनों के लिए सुरक्षा निर्देश

सभी ऑपरेशन के लिए सुरक्षा निर्देश

- ▶ इम्पैक्ट ड्रिलिंग करते समय कानों की सुरक्षा को पहनें। ज्यादा शोर में रहने से बहरे हो सकते हैं।
- ▶ ऐसा संचालन करते समय जब कटिंग एक्सेसरी या फास्टर का छिपी हुई वाइरिंग के साथ संपर्क होने की संभावना है, तब पावर टूल को इंसुलेटेड ग्लिपिंग सतहों से पकड़ें। „लाइव“ वायर से संपर्क में आने वाली कटिंग एक्सेसरी या फास्टर से „लाइव“ पावर टूल के धातु वाले भाग खुल सकते हैं और इससे ऑपरटर को बिजली का झटका लग सकता है।

लंबी ड्रिल बिट्स का उपयोग करते समय सुरक्षा निर्देश

- ▶ ड्रिल बिट की अधिकतम गति रेटिंग की तुलना में अधिक गति से काम न करें। उच्च गति पर, यदि बिट को वर्कपीस से संपर्क किए बिना स्वतंत्र रूप से घूमने की अनुमति दी जाए, तो इसके झुकने की संभावना है जिसके परिणामस्वरूप व्यक्तिगत चोट लग सकती है।
- ▶ हमेशा कम गति से और वर्कपीस के संपर्क में बिट टिप से ड्रिलिंग शुरू करें। उच्च गति पर, यदि बिट को वर्कपीस से संपर्क किए बिना स्वतंत्र रूप से घूमने की अनुमति दी जाए, तो इसके झुकने की संभावना है जिसके परिणामस्वरूप व्यक्तिगत चोट लग सकती है।
- ▶ केवल बिट के साथ डायरेक्ट लाइन में दबाव लागू करें लेकिन अत्यधिक दबाव लागू न करें। बिट्स के झुकने से यह टूटने या नियंत्रण खोने का कारण बन सकता है, जिसके परिणामस्वरूप व्यक्तिगत चोट लग सकती है।

अतिरिक्त सुरक्षा निर्देश

- ▶ यदि प्रविष्ट होने वाला यंत्र अवरुद्ध हो रहा हो तो विद्युत चालित यंत्र को तुरंत बंद करें। ऐसे उच्च प्रतिक्रियात्मक बल के प्रति सतर्क रहें जिससे पीछे की ओर झटका लग सकता हो। प्रविष्ट होने वाला यंत्र अवरुद्ध होता है, यदि विद्युत उपकरण में लोड बढ़ जाता है अथवा यह कार्य किए जाने वाले हिस्से में टेढ़ा हो जाता है।
- ▶ विद्युत उपकरण को मजबूती से पकड़ कर रखें। पेंच कसते या ढीले करते समय कुछ क्षणों के लिए उच्च प्रतिक्रियात्मक बल लग सकता है।
- ▶ जिस हिस्से पर काम होना है उसे सुरक्षित कर लें। हात से ज्यादा एक तनाव उपकरण या शिकंजे से कसे कार्य घटक अधिक सुरक्षित होता है।
- ▶ छिपी हुई आपूर्ति लाइनों का पता लगाने के लिए उपयुक्त खोज यंत्रों का प्रयोग करें अथवा स्थानीय आपूर्ति कंपनी से परामर्श करें। बिजली लाइनों के साथ संपर्क में आने से आग या बिजली के झटके के कारण हो सकते हैं। गैस लाइन के क्षतिग्रस्त होने से स्फोट का खतरा हो सकता है। जल आपूर्ति लाइन में रिसाव होने पर संपत्ति को क्षति पहुँच सकती है।

- ▶ विद्युत उपकरण को हटाने से पहले, इसके पूरी तरह रुक जाने की प्रतीक्षा करें। प्रविष्ट करायी जाने वाला यंत्र फंस सकता है और इससे शक्तिचालित यंत्र से नियंत्रण खोने का खतरा उत्पन्न होता है।
- ▶ बैटरी के क्षति और अयोग्य उपयोग से भाँपें निकल सकती हैं। बैटरी जल सकती है या इस्फ्लोड हो सकती है। ताजी हवा अंदर आने दे और यदि कोई लक्षण हो तो डॉक्टर की सलाह लें। धुएँ से श्वसन मार्ग में जलन हो सकती है।
- ▶ बैटरी को खोलें नहीं। शॉर्ट सर्किट का खतरा है।
- ▶ नुकिले वस्तुओं से, उदाहरण के लिए, कीलें या स्क्रू ड्राइवर या बाहरी फोर्स के प्रभाव से बैटरी क्षतिग्रस्त हो सकती है। ऑटोमैटिक शॉर्ट सर्किट हो सकता है और बैटरी जल सकती है, इससे से धुआँ निकल सकता है, या यह इस्फ्लोड या ओवरहीट हो सकती है।
- ▶ बैटरी का उपयोग केवल निर्माता के उत्पादों में करें। केवल ऐसा करने से ही बैटरी को खतरनाक ओवरलोडिंग से बचाया जा सकता है।



कृपया बैटरी को गरम होने से हूर तरह बचाए। जैसे कि तपती सूरज की धूप में लंबे समय रखना, आग, साथ ही गंदगी, पानी और नमी से भी बैटरी को दूर रखें। इन वजह से बैटरी में शॉर्ट सर्किट होने कि संभावना बनी रहती हैं और विस्फोट भी हो सकता हैं।



उत्पाद और सेवा का विवरण



सभी सुरक्षा चेतावनियाँ और निर्देश सुरक्षा चेतावनियों और निर्देशों का पालन नहीं करने पर बिजली का झटका, आग और गंभीर चोट लगने का खतरा है।

कृपया संचालन निर्देश के अगले भाग में दिए गए चित्रों पर ध्यान दें।

लक्षित उद्देश्य के लिए उपयोग

पावर टूल को पेंच लगाने और ढीला करने और लकड़ी, धातु, सिरेमिक और प्लास्टिक में ड्रिलिंग के लिए और ईट, कंक्रीट कार्य और पत्थर में इम्पैक्ट ड्रिलिंग के लिए डिज़ाइन किया गया है।

चित्रित घटक

चित्रित घटकों की नंबरिंग ग्राफिक पेज पर पावर टूल के चित्रण को संदर्भित करती है।

- (1) उपकरण धारक
- (2) जल्द-गति ड्रिल चक
- (3) टॉर्क पूर्व चयन समायोजन रिंग
- (4) संचालन प्रकार पूर्व चयन समायोजन रिंग
- (5) गियर चयन स्विच
- (6) बैटरी(A)
- (7) बैटरी अनलॉक बटन(A)
- (8) कार्य लाइट (LED)
- (9) रिवर्सिंग स्विच
- (10) चालू/ बंद स्विच
- (11) हस्त हैंडल (इन्सुलेट की गई हैंडल सतह)
- (12) स्क्रूड्राइवर(A)
- (13) यूनिवर्सल बिट(A)

- A) सचित्र या वर्णित सहायक उपकरण वितरण के मानक क्षेत्र का हिस्सा नहीं है। आपको हमारे सर्व उपकरणों के एक्सेसरीज़ हमारे एक्सेसरीज़ प्रोग्राम में प्राप्त होंगे।

तकनीकी डेटा

बैटरी संचालित इम्पैक्ट ड्रिलिंग मशीन		GSB 183-LI
आर्टिकल संख्या		3 601 JK9 1..
कम वोल्टेज	V=	18
लोड-रहित संचालन गति(A)B)		
- पहला गियर	/मि	0-440
- दूसरा गियर	/मि	0-1650
कठिन/कमजोर पेंच लगाने का अधिकतम टॉर्क(A)B)	Nm	56/21
इम्पैक्ट संख्या(A)B)	/मि	24 000
अधिकतम ड्रिल Ø		
- मेसनरी	मिमी	10
- स्टील	मिमी	10
- लकड़ी	मिमी	35
ड्रिल चक की क्षमता	मिमी	13
अधिकतम पेंच-Ø	मिमी	10
EPTA-Procedure 01:2014	किग्रा	1.6 (2.0 Ah)-2.6 (12.0 Ah)
विधि के अनुसार वजन(B)		
चार्जिंग के दौरान अनुशंसित परिवेशी तापमान	°C	0 ... +35
संचालन(C) और भंडारण के दौरान अनुमत परिवेशी तापमान	°C	-20 ... +50
अनुशंसित बैटरियाँ		GBA 18V... ProCORE18V...
अनुशंसित चार्जर		GAL 18... GAX 18... GAL 36...

A) 20-25 °C पर बैटरी के साथ मापा गया GBA 18V 2.0Ah

B) इस्तेमाल की गई बैटरी पर निर्भर

C) 0 °C से कम तापमान पर सीमित प्रदर्शन

मोंटा

- ▶ पावर टूल पर कोई भी कार्य करने से पहले, जैसे कि रखरखाव या फिर उपकरण बदलते समय अथवा उसे हटाने या संभालकर रखने से पहले बैटरी को पावर टूल से बाहर निकालें। चालू/बंद स्विच अनजाने में चालू हो जाने पर चोट लगने का खतरा है।

बैटरी को चार्ज करना

- ▶ केवल तकनीकी डेटा में वर्णित चार्जर का उपयोग करें। केवल यही चार्जर आपके पावर टूल में इस्तेमाल होने वाली लीथियम आयन बैटरी के उपयुक्त हैं।

ध्यान दें: डिस्चार्ज के समय बैटरी आंशिक रूप से चार्ज होती है। बैटरी का संपूर्ण प्रदर्शन प्राप्त करने के लिए, प्रथम उपयोग के पहले बैटरी को चार्जर से चार्ज करें।

लीथियम आयन बैटरी को किसी भी समय चार्ज किया जा सकता है, और इससे इसका जीवनकाल नहीं घटता। चार्जिंग की प्रक्रिया बाधित होने से बैटरी को कोई क्षति नहीं होती।

लीथियम आयन बैटरी को "Electronic Cell Protection (ECP)" के माध्यम से अत्यधिक डिस्चार्ज होने से सुरक्षित रखा जाता है। बैटरी डिस्चार्ज हो जाने पर पावर टूल को एक सुरक्षा स्विच के माध्यम से बंद किया जाता है: पावर टूल गति करना बंद कर देता है।

► **पावर टूल स्वचालित रूप से बंद हो जाने के बाद चालू/बंद स्विच को नहीं दबाएँ।** बैटरी क्षतिग्रस्त हो सकती है।

निपटान के निर्देशों का पालन करें।

बैटरी को निकालना

बैटरी (6) रिलीज बटन को अनजाने में दबाए जाने पर बैटरी को गिरने से रोकने के लिए बैटरी में दो लॉकिंग बटन (7) होते हैं। जब तक बैटरी पावर टूल में लगी हुई है, यह स्प्रिंग द्वारा अपनी जगह पर रखी जाती है।

बैटरी (6) निकालने के लिए, रिलीज बटन (7) दबाएं और बैटरी को पावर टूल से बाहर निकालें। **इस दौरान जोर नहीं लगाएँ।**

टूल बदलना (चित्र देखें A)

► **पावर टूल पर कोई भी कार्य करने से पहले, जैसे कि रखरखाव या फिर उपकरण बदलते समय अथवा उसे हटाने या संभालकर रखने से पहले बैटरी को पावर टूल से बाहर निकालें।** चालू/बंद स्विच अनजाने में चालू हो जाने पर चोट लगने का खतरा है।

यदि चालू/बंद स्विच (10) नहीं दबाया जाता है, तो ड्रिल स्पिंडल लॉक हो जाता है। यह ड्रिल चक्र में इंसेट टूल को त्वरित, सुविधाजनक और आसान बदलने में सक्षम बनाता है।

क्लिक एक्शन ड्रिल चक्र (2) को रोटेशन 1 की दिशा में घुमाकर तब तक खोलें जब तक कि टूल को डाला न जा सके। यंत्र को शुरू करें।

त्वरित रिलीज ड्रिल चक्र (2) की स्वीच को रोटेशन 2 की दिशा में हाथ से मजबूती से कस लें। ऐसा होने पर ड्रिल चक्र स्वतः लॉक हो जाता है।

धूल / चिप वैक्यूम निष्कर्षण

सामग्री की धूल जैसे युक्त लीड पेंट, कुछ लकड़ी की प्रजातियों, खनिज एवं धातु हानिकारक हो सकते हैं। ऐसी धूल को स्पर्श करने या सांस लेने के परिणामस्वरूप उपयोगकर्ता अथवा संपर्क में आने वाले व्यक्तियों को एलर्जी प्रतिक्रिया हो सकती है और/अथवा श्वसन संबंधी बीमारी हो सकती है।

विशिष्ट धूल जैसे ओक या वीच की धूल के रूप में विशेष रूप से लकड़ी उपचार के लिए योजकों का संयोजन किए हुए कार्सिनोजन (क्रोमेट, परिरक्षक लकड़ी), वर्गीकृत किए गये हैं। एसबेस्टस युक्त सामग्री पर केवल विशेषज्ञों द्वारा काम किया जा सकता है।

- कार्यस्थल के लिए अच्छा वेंटीलेशन प्रदान करें।
- यह फ़िल्टर वर्ग P2 के साथ एक सुरक्षात्मक मास्क पहनने के लिए सिफारिश की गई है।

जिन सामग्रियों पर काम करना है, उनके संदर्भ में अपने देश में लागू प्रावधानों का ध्यान रखें।

► **कार्य स्थल पर धूल को जमा न होने दें।** धूल में आसानी से आग लग सकती है।

संचालन

कार्यान्वित करना

बैटरी लगाना

ध्यान दें: जो बैटरियाँ आपके पावर टूल के लिए उपयुक्त नहीं हैं, उनका उपयोग करने से पावर टूल खराब या क्षतिग्रस्त हो सकता है।

चार्ज की गई बैटरी (6) को सामने से बिजली उपकरण के आधार में तब तक धकेलें जब तक कि बैटरी सुरक्षित रूप से लॉक न हो जाए।

घुमाव की दिशा निश्चित करें (चित्र देखें B)

► **बिजली उपकरण स्थिर होने पर ही (9) दिशा बदलें।**

रोटेशन स्विच (9) की दिशा का उपयोग पावर टूल के रोटेशन की दिशा बदलने के लिए किया जा सकता है। हालाँकि, ऑन/ऑफ स्विच (10) के दबे रहने पर ऐसा करना संभव नहीं है।

दक्षिणावर्त घूर्णन (क्लॉकवाइज रोटेशन): स्क्रू को ड्रिल एवं स्क्रू करने के लिए रोटेशन स्विच (9) की दिशा को बाईं ओर तब तक दबाएं जब तक कि यह बंद न हो जाए।

वामावर्त घूर्णन (एंटी-क्लॉकवाइज रोटेशन): स्क्रू और पेंच को घीला करने या खोलने के लिए स्विच (9) के घूर्णन की दिशा को घड़ी के सुई की दिशा में जहाँ तक संभव हो घुमाएं।

ऑपरेटिंग मोड सेट करना



छिद्र

संचालन पूर्व चयन समायोजन रिंग को "छिद्र" (4) प्रतीक पर सेट करें।



पेंच

संचालन पूर्व चयन समायोजन रिंग को "पेंच" (4) प्रतीक पर सेट करें।

टॉर्क पूर्व चयन समायोजन रिंग (3) को वांछित पर सेट करें।



पर्केशन ड्रिलिंग

संचालन पूर्व चयन समायोजन रिंग को "इम्पैक्ट ड्रिलिंग" (4) प्रतीक पर सेट करें।

चालू करना/बंद करना

पावर टूल **चालू करने के लिए**, स्विच (10) को ऑन/ऑफ करके दबाए रखें।

जब चालू/बंद स्विच (10) को हल्के या पूरी तरह से दबाया जाता है तो LED (8) चमकने लगती है और कार्य क्षेत्र को प्रतिकूल प्रकाश व्यवस्था की स्थिति में रोशन करने में सक्षम बनाती है। पावर टूल को **स्विच ऑफ** करने के लिए, स्विच ऑन /स्विच ऑफ बटन (10) को रिलीज करें।

स्टेटस डिस्प्ले के साथ LED-कार्य लाइट



LED कार्य लाइट (8) का उपयोग डिवाइस सुरक्षा और कम बैटरी स्थिति के लिए स्थिति संकेतक के रूप में भी किया जाता है:

LED-फीडबैक	वर्णन
संचालन में पार्किंग लाइट 3x	कम बैटरी स्तर। बैटरी इष्टतम चोल्टेज मान से नीचे गिर गई है। डिवाइस की कार्यक्षमता सीमित है।
ठहरने के बाद पार्किंग लाइट 3x	डिवाइस सुरक्षा सक्रिय है। बैटरी को उच्च बिजली की खपत और डिवाइस को नुकसान से बचाने के लिए डिवाइस सुरक्षा सक्रिय कर दी गई है।

- यदि बैटरी का स्तर कम है, तो बैटरी (6) चार्ज करें या कम बैटरी को पूरी तरह चार्ज बैटरी से बदलें।

गति निर्धारित करें

आप चालू उपकरण की गति को असीम रूप से समायोजित कर सकते हैं, यह इस बात पर निर्भर करता है कि आप स्विच (10) ऑन/ऑफ को कैसे दबाते हैं।

ऑन/ऑफ स्विच (10) पर हल्का दबाव कम गति का कारण बनता है। दबाव बढ़ने के साथ ही गति बढ़ती जाती है।

टॉर्क का चयन करें (स्कूइडरिंग मोड पर लागू होता है)

आप टॉर्क पूर्व चयन समायोजन रिंग (3) का उपयोग करके 20 चरणों में आवश्यक टॉर्क को पूर्व चयनित कर सकते हैं। जैसे ही सेट टॉर्क पहुंच जाता है, ईसर्ट टूल बंद हो जाता है।

हाथों से गियर का चयन

- गियर सिलेक्टर स्विच (5) को केवल तभी संचालित करें जब पावर टूल ठप हो।

गियर 1:

कम गति सीमा; बड़े ड्रिल व्यास के साथ या पेंच कसने के काम करने के लिए।

गियर 2:

उच्च गति सीमा; छोटे ड्रिल व्यास के साथ काम करने के लिए।

- गियर सिलेक्टर स्विच को हमेशा उतनी ही दूर धकेलें जितनी दूर वह जाएगा। अन्यथा, इलेक्ट्रिक टूल क्षतिग्रस्त हो सकती है।

तापमान पर आधारित ओवरलोड सुरक्षा

अभिप्रेत उपयोग के बाद पावर टूल को ओवरलोड नहीं किया जा सकता है। यदि लोड बहुत अधिक है या अनुमेय बैटरी तापमान सीमा पार हो गई है, तो इलेक्ट्रिकल टूल बंद हो जाता है और इलेक्ट्रिकल टूल पर LED चमकती है। काम जारी रखने से पहले पावर टूल को ठंडा होने दें।

पूरी तरह स्वचालित स्पिंडल लॉक Auto-Lock (ऑटो- लॉक)

यदि चालू/बंद स्विच (10) नहीं दबाया जाता है, तो ड्रिल स्पिंडल और इस प्रकार टूल अटैचमेंट (1) लॉक हो जाता है।

यह पेंच को तब भी खराब करने में सक्षम बनाता है जब बैटरी (6) डिचार्ज हो जाती है या पावर टूल को पेंचकथ के रूप में इस्तेमाल किया जाता है।

कार्य निर्देश

- पावर टूल को बंद होने पर ही स्कू पर रखें। घूम रहे प्रविष्ट कराए जाने वाले यंत्रों में जंग लग सकती है।

कठोर सामग्री में बड़े और लंबे समय तक स्कू करने से पहले, आपको ग्रेड के मुख्य व्यास को पेंच की लंबाई के 2/3 तक ड्रिल करना चाहिए।

पेंचकथ विट या युनिवर्सल विट ब्रैकेट को हटाने के लिए एक सहायक उपकरण का उपयोग किया जा सकता है।

देखभाल एवं सर्विस

देखभाल एवं सफाई

- पावर टूल पर कोई भी कार्य करने से पहले, जैसे कि रखरखाव या फिर उपकरण बदलते समय अथवा उसे हटाने या संभालकर रखने से पहले बैटरी को पावर टूल से बाहर निकालें। चालू/बंद स्विच अनजाने में चालू हो जाने पर चोट लगने का खतरा है।
- अच्छी तरह काम करने के लिए और सुरक्षा के लिए, पावर टूल एवं वेंटिलेशन स्लॉट्स को साफ रखें।

ग्राहक सेवा एवं उपयोग सलाह

ग्राहक सेवा आपके उनके उत्पादनों तथा देखभाल के विषय में आपके सवालों का जवाब देगी। स्पेयर पार्ट्स के बारे में अधिक जानकारी और विस्तृत (एक्सप्लोडेड) दृश्य यहां भी मिल सकते हैं: www.bosch-pt.com

Bosch की एप्लीकेशन परामर्श टीम हमारे उत्पादों और उनके सहायक उपकरणों के संदर्भ में आपके सभी प्रश्नों में आपकी सहायता करेगी।

पत्राचार के दौरान तथा स्पेयर पुर्जों का ऑर्डर देते समय, उत्पाद के लेवल पर दर्ज 10 अंको वाली आर्टिकल संख्या अवश्य प्रदान करें।

भारत

Bosch सर्विस सेंटर

69, हबीबुल्लाह रोड, (पीएसबीवी स्कूल के आगे), टी. नगर चेन्नई – 600077

फ़ोन: (044) 64561816

Bosch सर्विस सेंटर

18, कम्युनिटी

सेंटरफेस 1, मायापुरी

नई दिल्ली – 110064

फ़ोन: (011) 43166190

Bosch सर्विस सेंटर

शॉप नंबर 7 और 8, एस्पेन गार्डन

वालभट रोड, गोरगांव (ई)

राम मंदिर रेलवे स्टेशन के पास

मुंबई – 400063

मोबाइल: 09819952950

सर्विस से जुड़े अन्य पते यहाँ उपलब्ध हैं:

www.bosch-pt.com/serviceaddresses

ट्रांसपोर्ट

अनुशंसित ली-आयन बैटरी खतरनाक माल कानून की आवश्यकताओं के अधीन हैं। उपयोगकर्ता के द्वारा किसी अतिरिक्त शर्त के बिना सड़क पर बैटरियों का परिवहन किया जा सकता है। तृतीय पक्ष के द्वारा भेजे जाते समय (जैसे, हवाई परिवहन या शिपिंग) पैकेजिंग और लेबलिंग से जुड़ी विशेष आवश्यकताओं पर ध्यान दिया जाना चाहिए। इस मामले में भेजी जाने वाली मद की पूर्व-तैयारी के लिए एक खतरनाक वस्तु विशेषज्ञ की सेवाएँ ली जानी चाहिए।

बैटरियों को केवल तब भेजें, जब इसका आवरण क्षतिग्रस्त नहीं हो। खुले हुए संपर्क बिंदुओं को ढक दें और बैटरी को इस तरह से पैक करें कि यह पैकेजिंग में हिले-डुले नहीं। कृपया अन्य लागू होने वाले राष्ट्रीय प्रावधानों का भी पालन करें।

निपटान



पावर टूल, बैटरियों, सहायक उपकरणों और पैकेजिंग का पुनर्चक्रण पर्यावरण के अनुकूल किया जाना चाहिए।

पावर टूल और बैटरियों का निपटान घरेलू कचरे में न करें!

बैटरियों

लीथियम आयन:

कृपया ट्रांसपोर्ट खंड में उल्लिखित निर्देशों का पालन करें (देखें „ट्रांसपोर्ट“, पेज 14)।