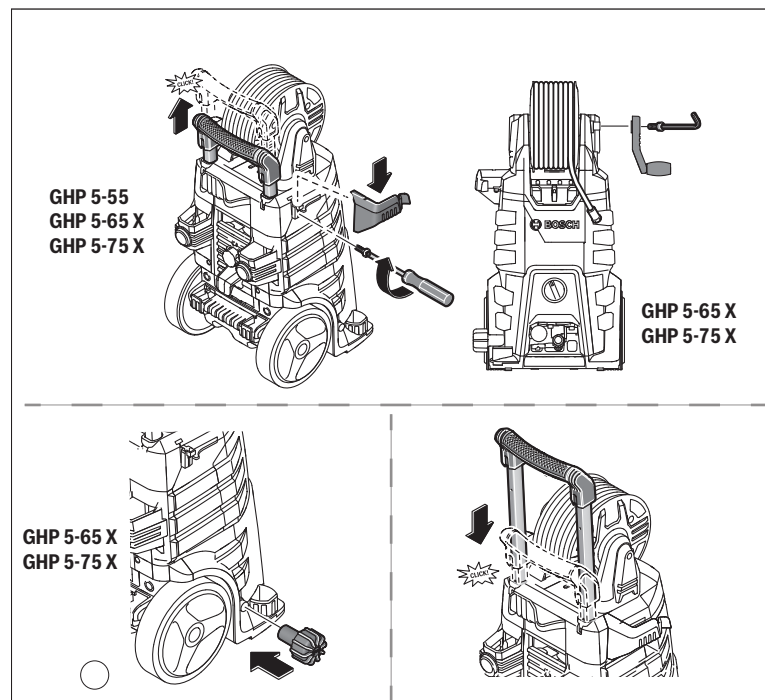


# GHP 5-55/GHP 5-65/GHP 5-65 X GHP 5-75/GHP 5-75 X

3 600 J10 4../3 600 J10 5../3 600 J10 6../  
3 600 J10 7../3 600 J10 8..



Robert Bosch Power Tools GmbH  
STUTTGART 70538  
GERMANY

[www.bosch-professional.com](http://www.bosch-professional.com)

F016L94811 (2024.05) O/4 UNI 93049 - DN



\*F016L94811\*

