

**Robert Bosch Power Tools GmbH**  
70538 Stuttgart  
Germany

[www.bosch-pt.com](http://www.bosch-pt.com)

**1 609 92A 2UM** (2012.09) PS / 9



1 609 92A 2UM

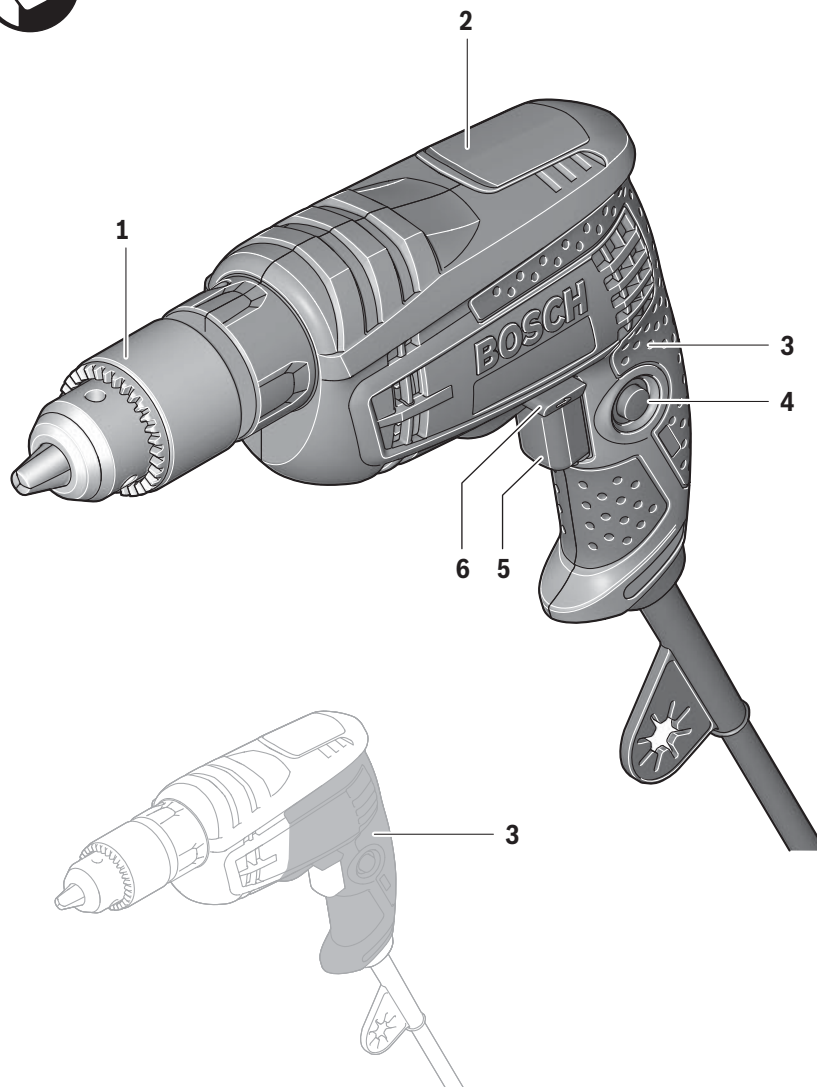
## GBM Professional

6 | 10 RE | 13 RE

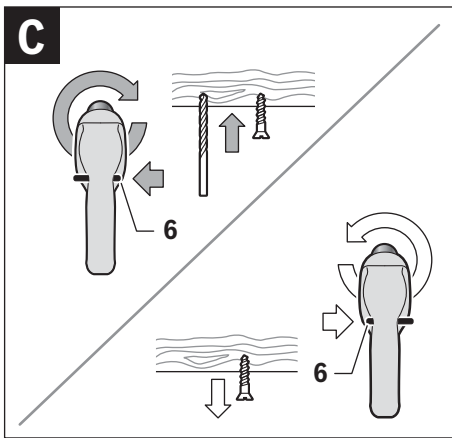
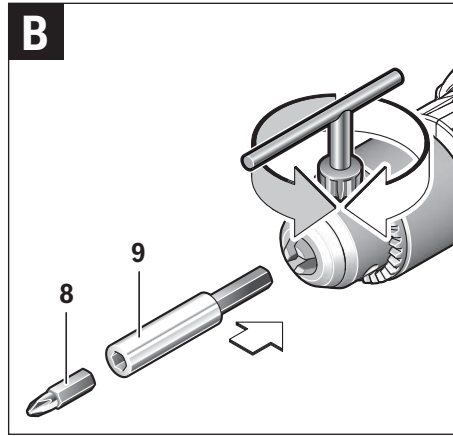
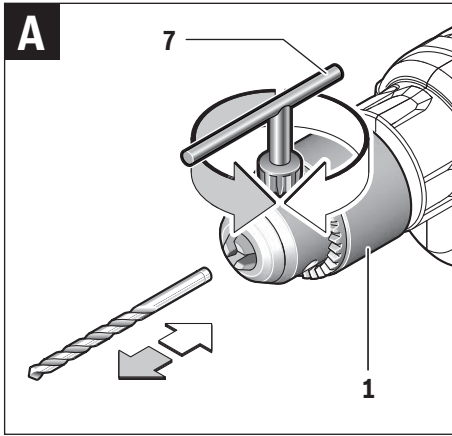


en Original instructions





**GBM 13 RE**



## English

### Safety Notes

#### General Power Tool Safety Warnings

**⚠ WARNING** Read all safety warnings and all instructions. Failure to follow the warnings and instructions may result in electric shock, fire and/or serious injury.

#### Save all warnings and instructions for future reference.

The term "power tool" in the warnings refers to your mains-operated (corded) power tool or battery-operated (cordless) power tool.

#### Work area safety

- ▶ **Keep work area clean and well lit.** Cluttered or dark areas invite accidents.
- ▶ **Do not operate power tools in explosive atmospheres, such as in the presence of flammable liquids, gases or dust.** Power tools create sparks which may ignite the dust or fumes.
- ▶ **Keep children and bystanders away while operating a power tool.** Distractions can cause you to lose control.

#### Electrical safety

- ▶ **Power tool plugs must match the outlet. Never modify the plug in any way. Do not use any adapter plugs with earthed (grounded) power tools.** Unmodified plugs and matching outlets will reduce risk of electric shock.
- ▶ **Avoid body contact with earthed or grounded surfaces, such as pipes, radiators, ranges and refrigerators.** There is an increased risk of electric shock if your body is earthed or grounded.
- ▶ **Do not expose power tools to rain or wet conditions.** Water entering a power tool will increase the risk of electric shock.
- ▶ **Do not abuse the cord. Never use the cord for carrying, pulling or unplugging the power tool. Keep cord away from heat, oil, sharp edges and moving parts.** Damaged or entangled cords increase the risk of electric shock.
- ▶ **When operating a power tool outdoors, use an extension cord suitable for outdoor use.** Use of a cord suitable for outdoor use reduces the risk of electric shock.
- ▶ **If operating a power tool in a damp location is unavoidable, use a residual current device (RCD) protected supply.** Use of an RCD reduces the risk of electric shock.

#### Personal safety

- ▶ **Stay alert, watch what you are doing and use common sense when operating a power tool. Do not use a power tool while you are tired or under the influence of drugs, alcohol or medication.** A moment of inattention while operating power tools may result in serious personal injury.
- ▶ **Use personal protective equipment. Always wear eye protection.** Protective equipment such as dust mask, non-skid safety shoes, hard hat, or hearing protection

used for appropriate conditions will reduce personal injuries.

- ▶ **Prevent unintentional starting. Ensure the switch is in the off-position before connecting to power source and/or battery pack, picking up or carrying the tool.** Carrying power tools with your finger on the switch or energising power tools that have the switch on invites accidents.
- ▶ **Remove any adjusting key or wrench before turning the power tool on.** A wrench or a key left attached to a rotating part of the power tool may result in personal injury.
- ▶ **Do not overreach. Keep proper footing and balance at all times.** This enables better control of the power tool in unexpected situations.
- ▶ **Dress properly. Do not wear loose clothing or jewellery. Keep your hair, clothing and gloves away from moving parts.** Loose clothes, jewellery or long hair can be caught in moving parts.
- ▶ **If devices are provided for the connection of dust extraction and collection facilities, ensure these are connected and properly used.** Use of dust collection can reduce dust-related hazards.

#### Power tool use and care

- ▶ **Do not force the power tool. Use the correct power tool for your application.** The correct power tool will do the job better and safer at the rate for which it was designed.
- ▶ **Do not use the power tool if the switch does not turn it on and off.** Any power tool that cannot be controlled with the switch is dangerous and must be repaired.
- ▶ **Disconnect the plug from the power source and/or the battery pack from the power tool before making any adjustments, changing accessories, or storing power tools.** Such preventive safety measures reduce the risk of starting the power tool accidentally.
- ▶ **Store idle power tools out of the reach of children and do not allow persons unfamiliar with the power tool or these instructions to operate the power tool.** Power tools are dangerous in the hands of untrained users.
- ▶ **Maintain power tools. Check for misalignment or binding of moving parts, breakage of parts and any other condition that may affect the power tool's operation. If damaged, have the power tool repaired before use.** Many accidents are caused by poorly maintained power tools.
- ▶ **Keep cutting tools sharp and clean.** Properly maintained cutting tools with sharp cutting edges are less likely to bind and are easier to control.
- ▶ **Use the power tool, accessories and tool bits etc. in accordance with these instructions, taking into account the working conditions and the work to be performed.** Use of the power tool for operations different from those intended could result in a hazardous situation.

#### Service

- ▶ **Have your power tool serviced by a qualified repair person using only identical replacement parts.** This will ensure that the safety of the power tool is maintained.

### Safety Warnings for Drills

- ▶ **Hold the tool by the insulated gripping surfaces when performing operations where the application tool or the screw could contact hidden wiring or its own power cord.** Contact with a "live" wire will also make exposed metal parts of the power tool "live" and shock the operator.
- ▶ **Use appropriate detectors to determine if utility lines are hidden in the work area or call the local utility company for assistance.** Contact with electric lines can lead to fire and electric shock. Damaging a gas line can lead to explosion. Penetrating a water line causes property damage.
- ▶ **Switch off the power tool immediately when the tool insert jams. Be prepared for high reaction torque that can cause kickback.** The tool insert jams when:
  - the power tool is subject to overload or
  - it becomes wedged in the workpiece.
- ▶ **Secure the workpiece.** A workpiece clamped with clamping devices or in a vice is held more secure than by hand.
- ▶ **Always wait until the machine has come to a complete stop before placing it down.** The tool insert can jam and lead to loss of control over the power tool.

### Product Description and Specifications



**Read all safety warnings and all instructions.** Failure to follow the warnings and instructions may result in electric shock, fire and/or serious injury.

#### Intended Use

The machine is intended for drilling in wood, metal, ceramic and plastic. Machines with electronic control and right and left rotation are also suitable for screwdriving and tapping.

#### Product Features

The numbering of the product features refers to the illustration of the machine on the graphics page.

- 1 Key type drill chuck
- 2 Belt clip
- 8 Handle (insulated gripping surface)
- 4 Lock-on button for On/Off switch
- 5 On/Off switch
- 6 Rotational direction switch (GBM 10 RE, GBM 13 RE)
- 7 Chuck key
- 8 Screwdriver bit\*
- 9 Universal bit holder\*

\*Accessories shown or described are not part of the standard delivery scope of the product. A complete overview of accessories can be found in our accessories program.

### Technical Data

Rotary drill		GBM 6	GBM 10 RE	GBM 13 RE
Article number		3 601 D72 0..	3 601 D73 5..	3 601 D77 5..
Rated power input	W	350	450	600
Output power	W	136	236	360
No-load speed	min <sup>-1</sup>	4000	0–2600	0–2600
Rated speed	min <sup>-1</sup>	3116	0–1760	1676
Rated torque	Nm	12.3	14	20
Spindle collar dia.	mm	43	43	43
Speed control		–	●	●
Right/left rotation		–	●	●
Max. drilling dia.				
– Steel	mm	6.5	10	13
– Wood	mm	15	25	30
– Aluminium	mm	6	10	13
Chuck clamping range	mm	0.5–6.5	1–10	1.5–13
Weight according to EPTA-Procedure 01:2014	kg	1.1	1.3	1.7
Protection class		□/II	□/II	□/II

The values given are valid for a nominal voltage [U] of 230 V. For different voltages and models for specific countries, these values can vary.

## Assembly

### Changing the Tool

- ▶ **Before any work on the machine itself, pull the mains plug.**
- ▶ **Wear protective gloves when changing the tool.** The drill chuck can become very hot during longer work periods.

#### Key Type Drill Chuck (see figure A)

Open the key type drill chuck **1** by turning until the tool can be inserted. Insert the tool.

Insert the chuck key **7** into the corresponding holes of the key type drill chuck **1** and clamp the tool uniformly.

#### Screwdriver Tools (see figure B)

When working with screwdriver bits **8**, a universal bit holder **9** should always be used. Use only screwdriver bits that fit the screw head.

### Replacing the Drill Chuck

For power tools without spindle lock, the drill chuck must be replaced by an authorised after-sales service agent for Bosch power tools.



**The drill chuck must be tightened with a tightening torque of approx. 31 – 35 Nm.**

### Dust/Chip Extraction

- ▶ Dusts from materials such as lead-containing coatings, some wood types, minerals and metal can be harmful to one's health. Touching or breathing-in the dusts can cause allergic reactions and/or lead to respiratory infections of the user or bystanders. Certain dusts, such as oak or beech dust, are considered as carcinogenic, especially in connection with wood-treatment additives (chromate, wood preservative). Materials containing asbestos may only be worked by specialists.
  - Provide for good ventilation of the working place.
  - It is recommended to wear a P2 filter-class respirator.
 Observe the relevant regulations in your country for the materials to be worked.
- ▶ **Prevent dust accumulation at the workplace.** Dusts can easily ignite.

## Operation

### Starting Operation

- ▶ **Observe correct mains voltage! The voltage of the power source must agree with the voltage specified on the nameplate of the machine. Power tools marked with 230 V can also be operated with 220 V.**

### Reversing the rotational direction (GBM 10 RE, GBM 13 RE) (see figure C)

The rotational direction switch **6** is used to reverse the rotational direction of the machine. However, this is not possible with the On/Off switch **5** actuated.

**Right Rotation:** For drilling and driving in screws, push the rotational direction switch **6** left to the stop.

**Left Rotation:** For loosening and unscrewing screws and nuts, press the rotational direction switch **6** through to the right stop.

### Switching On and Off

To **start** the machine, press the On/Off switch **5** and keep it pressed.

To lock the **pressed** On/Off switch **5**, press the lock-on button **4**.

To **switch off** the machine, release the On/Off switch **5** or when it is locked with the lock-on button **4**, briefly press the On/Off switch **5** and then release it.

When not using the power tool, switch it off in order to save energy.

### Adjusting the Speed (GBM 10 RE, GBM 13 RE)

The speed of the switched on power tool can be variably adjusted, depending on how far the On/Off switch **5** is pressed.

Light pressure on the On/Off switch **5** results in a low rotational speed. Further pressure on the switch results in an increase in speed.

### Working Advice

- ▶ **Apply the power tool to the screw/nut only when it is switched off.** Rotating tool inserts can slip off.

For drilling in metal, use only perfectly sharpened HSS drill bits (HSS = high-speed steel). The appropriate quality is guaranteed by the Bosch accessories program.

Twist drills from 2.5 – 10 mm can easily be sharpened with the drill bit sharpener (see accessories).

We recommend the use of a drill stand (see accessories) for work where greater precision is particularly required.

The machine vice, which is available as an accessory, enables secure clamping of workpieces. This prevents the workpiece from turning and any accidents this would cause.

### Belt Clip

With the belt clip **2**, the machine can be hung onto a belt. The user has both hands free and the machine is always at hand.

## Maintenance and Service

### Maintenance and Cleaning

- ▶ **Before any work on the machine itself, pull the mains plug.**
- ▶ **For safe and proper working, always keep the machine and ventilation slots clean.**

If the replacement of the supply cord is necessary, this has to be done by Bosch or an authorized Bosch service agent in order to avoid a safety hazard.

If the machine should fail despite the care taken in manufacturing and testing procedures, repair should be carried out by an after-sales service centre for Bosch power tools.

In all correspondence and spare parts order, please always include the 10-digit article number given on the type plate of the machine.

### After-sales Service and Customer Assistance

Our after-sales service responds to your questions concerning maintenance and repair of your product as well as spare parts. Exploded views and information on spare parts can also be found under:

**[www.bosch-pt.com](http://www.bosch-pt.com)**

Our customer service representatives can answer your questions concerning possible applications and adjustment of products and accessories.

#### India

Bosch Service Center  
67, Mathiravedu, Velappan Chavdy, Ponamalle High Road,  
Numbal Village  
Chennai-600077  
Phone: 044-64561816

Bosch Service Center  
Rishyamook, 85A, Panchkuin Road  
Delhi-110001  
Phone: 011-43166190

Bosch Service Center  
41, 41A, Appa Baug Bldg, Maharshi Karve Marg, Opp Charni  
Road Station  
Mumbai-400002  
Phone: 022-22014649

### Disposal

The machine, accessories and packaging should be sorted for environmental-friendly recycling.

Do not dispose of power tools into household waste!

**Subject to change without notice.**

