

**Robert Bosch Power Tools GmbH**  
70538 Stuttgart  
GERMANY

[www.bosch-pt.com](http://www.bosch-pt.com)

1 609 92A 3CA (2017.06) PS / 57



1 609 92A 3CA

# GBG 35-15 Professional

**HEAVY  
DUTY**

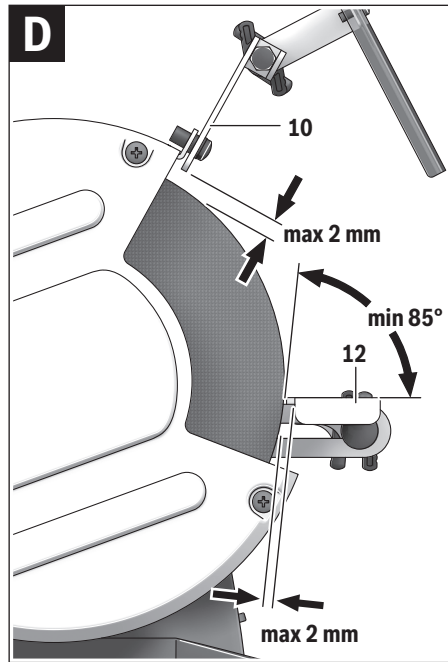
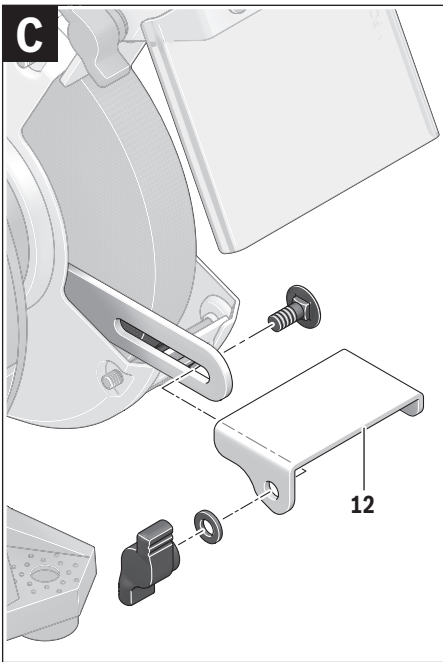
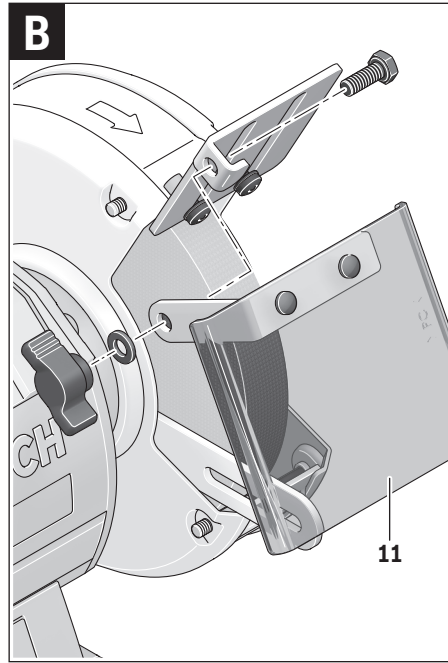
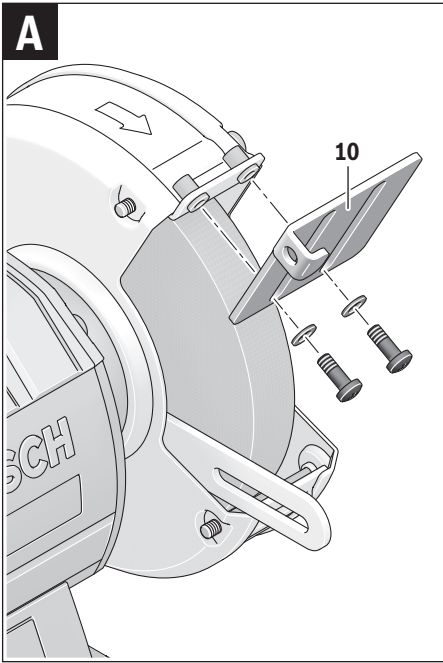
 **BOSCH**

**en** Original instructions  
**fr** Notice originale  
**pt** Manual original  
**cn** 正本使用说明书  
**tw** 原始使用說明書

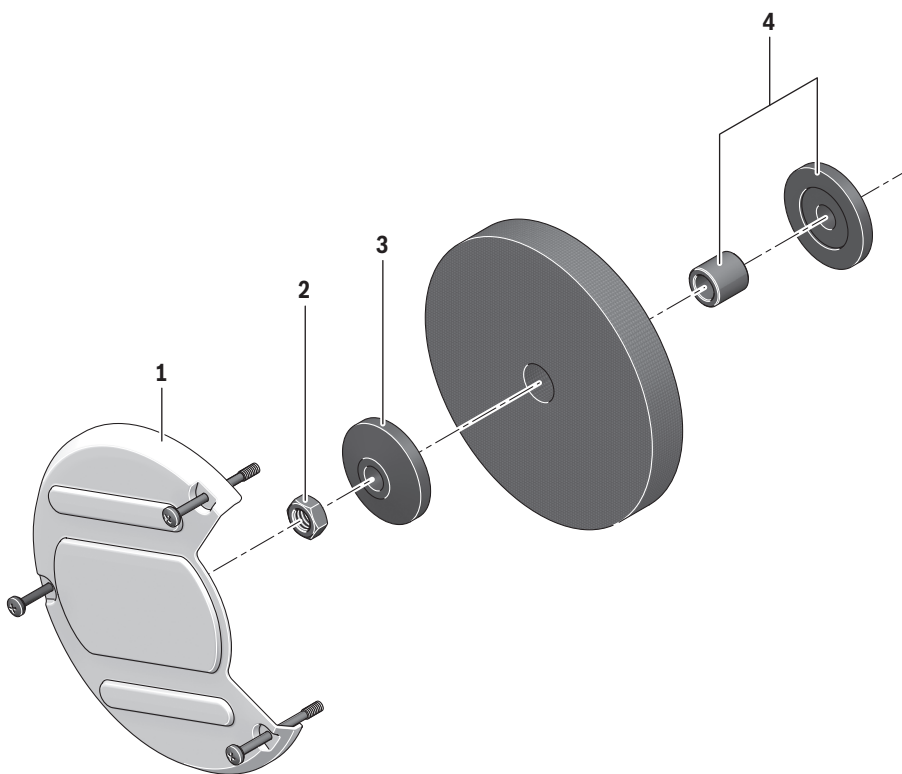
**th** หนังสือคู่มือการใช้งานฉบับต้นแบบ  
**id** Petunjuk-Petunjuk untuk Penggunaan Orisinal  
**vi** Bản gốc hướng dẫn sử dụng  
**ar** تعليمات التشغيل الأصلية  
**fa** دفترچه راهنمای اصلی

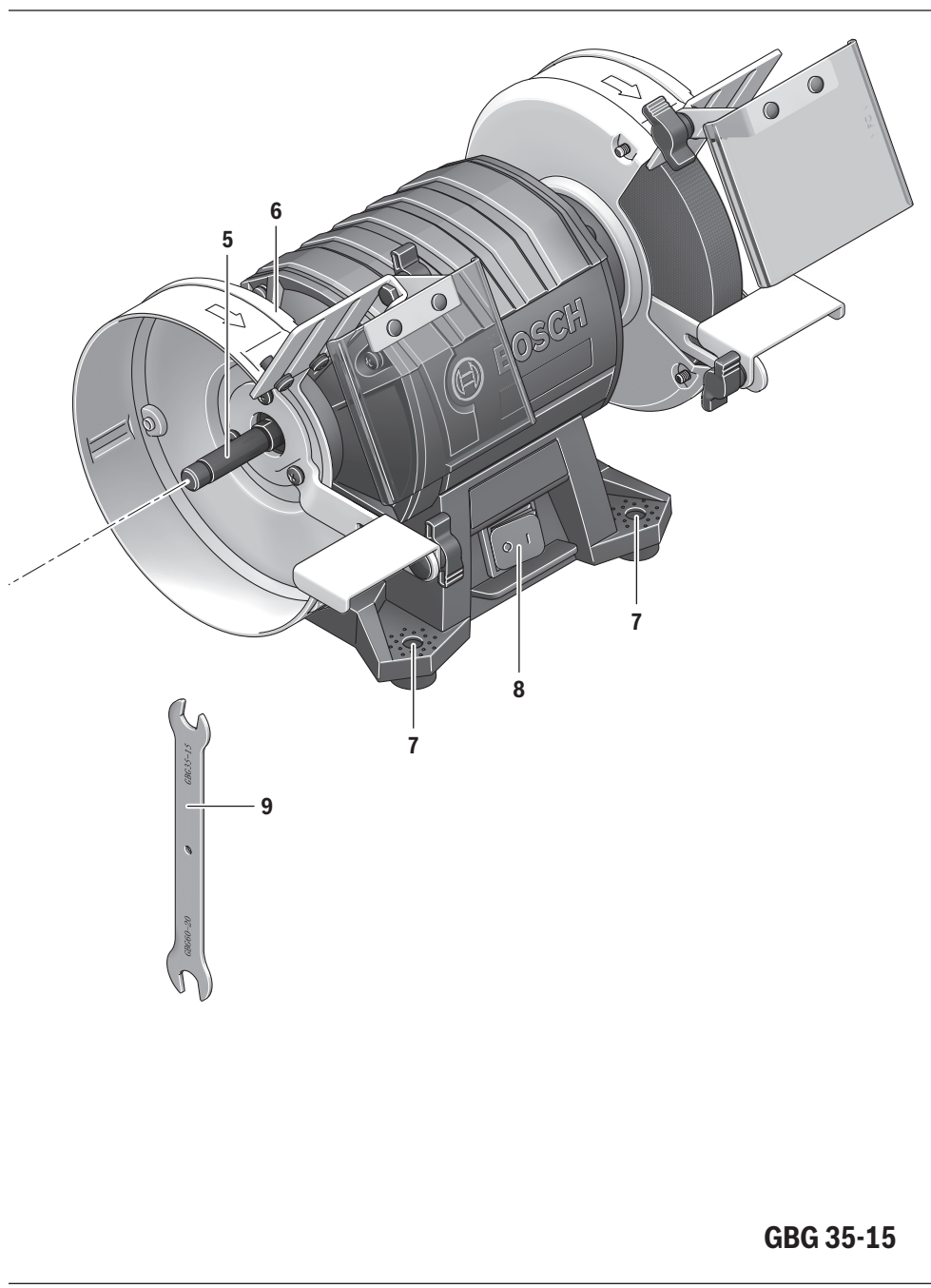


English .....	Page 6
Français .....	Page 12
Português.....	Página 17
中文 .....	页 21
中文 .....	頁 26
ภาษาไทย.....	หน้า 30
Bahasa Indonesia .....	Halaman 34
Tiếng Việt.....	Trang 39
عربي .....	صفحة 50
فارسی .....	صفحه 55



4 |





**GBG 35-15**

## English

### Safety Notes

#### General Power Tool Safety Warnings

**⚠ WARNING** Read all safety warnings, instructions, illustrations and specifications provided with this power tool. Failure to follow all instructions listed below may result in electric shock, fire and/or serious injury.

Save all warnings and instructions for future reference.

The term "power tool" in the warnings refers to your mains-operated (corded) power tool or battery-operated (cordless) power tool.

**⚠ WARNING** When using electric tools basic safety precautions should always be followed to reduce the risk of fire, electric shock and personal injury including the following. Read all these instructions before attempting to operate this product and save these instructions.

#### Work area safety

- ▶ **Keep work area clean and well lit.** Cluttered or dark areas invite accidents.
- ▶ **Do not operate power tools in explosive atmospheres, such as in the presence of flammable liquids, gases or dust.** Power tools create sparks which may ignite the dust or fumes.
- ▶ **Keep children and bystanders away while operating a power tool.** Distractions can cause you to lose control.

#### Electrical safety

- ▶ **Power tool plugs must match the outlet. Never modify the plug in any way. Do not use any adapter plugs with earthed (grounded) power tools.** Unmodified plugs and matching outlets will reduce risk of electric shock.
- ▶ **Avoid body contact with earthed or grounded surfaces, such as pipes, radiators, ranges and refrigerators.** There is an increased risk of electric shock if your body is earthed or grounded.
- ▶ **Do not expose power tools to rain or wet conditions.** Water entering a power tool will increase the risk of electric shock.
- ▶ **Do not abuse the cord. Never use the cord for carrying, pulling or unplugging the power tool. Keep cord away from heat, oil, sharp edges and moving parts.** Damaged or entangled cords increase the risk of electric shock.
- ▶ **When operating a power tool outdoors, use an extension cord suitable for outdoor use.** Use of a cord suitable for outdoor use reduces the risk of electric shock.
- ▶ **If operating a power tool in a damp location is unavoidable, use a residual current device (RCD) protected supply.** Use of an RCD reduces the risk of electric shock.

#### Personal safety

- ▶ **Stay alert, watch what you are doing and use common sense when operating a power tool. Do not use a power tool while you are tired or under the influence of drugs, alcohol or medication.** A moment of inattention while operating power tools may result in serious personal injury.
- ▶ **Use personal protective equipment. Always wear eye protection.** Protective equipment such as dust mask, non-skid safety shoes, hard hat, or hearing protection used for appropriate conditions will reduce personal injuries.
- ▶ **Prevent unintentional starting. Ensure the switch is in the off-position before connecting to power source and/or battery pack, picking up or carrying the tool.** Carrying power tools with your finger on the switch or energising power tools that have the switch on invites accidents.
- ▶ **Remove any adjusting key or wrench before turning the power tool on.** A wrench or a key left attached to a rotating part of the power tool may result in personal injury.
- ▶ **Do not overreach. Keep proper footing and balance at all times.** This enables better control of the power tool in unexpected situations.
- ▶ **Dress properly. Do not wear loose clothing or jewellery. Keep your hair and clothing away from moving parts.** Loose clothes, jewellery or long hair can be caught in moving parts.
- ▶ **If devices are provided for the connection of dust extraction and collection facilities, ensure these are connected and properly used.** Use of dust collection can reduce dust-related hazards.
- ▶ **Do not let familiarity gained from frequent use of tools allow you to become complacent and ignore tool safety principles.** A careless action can cause severe injury within a fraction of a second.

#### Power tool use and care

- ▶ **Do not force the power tool. Use the correct power tool for your application.** The correct power tool will do the job better and safer at the rate for which it was designed.
- ▶ **Do not use the power tool if the switch does not turn it on and off.** Any power tool that cannot be controlled with the switch is dangerous and must be repaired.
- ▶ **Disconnect the plug from the power source and/or remove the battery pack, if detachable, from the power tool before making any adjustments, changing accessories, or storing power tools.** Such preventive safety measures reduce the risk of starting the power tool accidentally.
- ▶ **Store idle power tools out of the reach of children and do not allow persons unfamiliar with the power tool or these instructions to operate the power tool.** Power tools are dangerous in the hands of untrained users.
- ▶ **Maintain power tools and accessories. Check for misalignment or binding of moving parts, breakage of parts and any other condition that may affect the power tool's operation. If damaged, have the power tool re-**

**paired before use.** Many accidents are caused by poorly maintained power tools.

- ▶ **Keep cutting tools sharp and clean.** Properly maintained cutting tools with sharp cutting edges are less likely to bind and are easier to control.
- ▶ **Use the power tool, accessories and tool bits etc. in accordance with these instructions, taking into account the working conditions and the work to be performed.** Use of the power tool for operations different from those intended could result in a hazardous situation.
- ▶ **Keep handles and grasping surfaces dry, clean and free from oil and grease.** Slippery handles and grasping surfaces do not allow for safe handling and control of the tool in unexpected situations.

#### Service

- ▶ **Have your power tool serviced by a qualified repair person using only identical replacement parts.** This will ensure that the safety of the power tool is maintained.

#### Bench grinder safety warnings

- ▶ **Do not use a damaged accessory. Before each use, check the grinding wheel for chips and cracks. If the machine or application tool is dropped, inspect for damage or install an undamaged application tool. After inspecting and installing the application tool, position yourself and bystanders away from the plane of the rotating application tool and run the power tool at maximum no-load speed for one minute.** Damaged application tools will normally break apart during this test time.
- ▶ **The rated speed of the accessory must be at least equal to the maximum speed marked on the power tool.** Accessories running faster than their rated speed can break and fly apart.
- ▶ **Never grind on the sides of grinding wheels.** Grinding on the sides can cause grinding wheels to break and fly apart.



**Wear safety goggles.**

- ▶ **Store the power tool and the application tool in a safe manner when not being used. The storage location must be dry and lockable.** This prevents the power tool from storage damage, and from being operated by untrained persons.
- ▶ **Check the cable regularly and have a damaged cable repaired only through an authorised customer service agent for Bosch power tools. Replace damaged extension cables.** This will ensure that the safety of the power tool is maintained.
- ▶ **Connect the machine to a mains supply with proper earthing connection.** Socket outlet and extension cable must be equipped with an operative protective conductor.
- ▶ **Keep your workplace clean.** Blends of materials are particularly dangerous. Dust from light alloys can burn or explode.

- ▶ **Protect the grinding tool against impact, shock and grease.**

**Products sold in GB only:** Your product is fitted with a BS 1363/A approved electric plug with internal fuse (ASTA approved to BS 1362).

If the plug is not suitable for your socket outlets, it should be cut off and an appropriate plug fitted in its place by an authorised customer service agent. The replacement plug should have the same fuse rating as the original plug.

The severed plug must be disposed of to avoid a possible shock hazard and should never be inserted into a mains socket elsewhere.

## Symbols

The following symbols can be important for the operation of your power tool. Please memorise the symbols and their meanings. The correct interpretation of the symbols helps you operate the power tool better and more safely.

#### Symbols and their meaning



**Keep your hands out of the grinding wheel area while the machine is running.** Danger of injury in case of contact with the grinding wheel.



**Wear ear protectors.** Exposure to noise can cause hearing loss.



**Wear safety goggles.**



**Wear a dust respirator.**



**Wear protective gloves.**

## Product Description and Specifications



**Read all safety warnings and all instructions.** Failure to follow the warnings and instructions may result in electric shock, fire and/or serious injury.

## 8 | English

**Intended Use**

The machine is intended for sharpening tools as well as for grinding and deburring metal.

The machine may only be used for short-time operation (60 min. max).

**Product Features**

The numbering of the product features refers to the illustration of the machine on the graphics page.

- 1 Cover
- 2 Clamping nut
- 3 Clamping flange
- 4 Mounting flange
- 5 Grinder spindle
- 6 Blade guard
- 7 Mounting holes
- 8 On/Off switch
- 9 Open-end spanner \*
- 10 Holder for the spark guard
- 11 Spark guard
- 12 Workpiece support

\*Accessories shown or described are not part of the standard delivery scope of the product. A complete overview of accessories can be found in our accessories program.

**Technical Data**

Double-wheeled bench grinder		GBG 35-15	
Article number		3 601 B7A 3..	
Rated power input P1	W	350	
Output power P2			
– 50 Hz	W	240	
– 60 Hz	W	250	
Operating Mode *		S2 (60 mins)	
No-load speed			
– 50 Hz	min <sup>-1</sup>	3000	
– 60 Hz	min <sup>-1</sup>	3600	
Thread of grinder spindle		M 12	
Grinding wheels			
– Diameter	mm	150	
– Width	mm	20	
– Mounting bore	mm	12.7/20	
– Grain size		24/60	
Mounting flange			
– Mounting bore	mm	12.7	
– min. recess	mm	1.5	
Weight according to EPTA-Procedure 01:2014	kg	10.0	
Protection class		Ⓢ / I	

The values given are valid for a nominal voltage [U] of 230 V. For different voltages and models for specific countries, these values can vary.

\*The operating mode S2 (60 min.) designates short-time operation with a maximum operating duration of 60 minutes. After this period, switch off the machine and allow it to cool down.

**Assembly**

► **Before any work on the machine itself, pull the mains plug.**

- Use suitable screws to fix the power tool to the workbench / worktop at the 4 holes 7 provided.

**Mounting the Spark Guard/Workpiece Support (see figures A – D)**

► **Use the power tool only with the spark guard 11 and swivel the spark guard down as far as possible.** Escaping sparks can injure your eyes or set fire to surrounding objects.

► **Use the power tool only with the workpiece support. Do not interchange the right-hand and left-hand workpiece supports 12.** Otherwise the clearance between workpiece support 12 and grinding wheel will be too large. When the clearance is larger, you are not sufficiently protected against sparking. The workpiece can be drawn in by the rotational motion of the grinding wheel and lead to injuries.

- Mount the holder for the spark guard 10 with the two screws.
- Screw the spark guard 11 to the holder of the spark guard 10.
- Mount the workpiece support 12 as shown in the figure.

► **Regularly check the clearance between the workpiece support 12 as well as the holder of the spark guard 10 to the grinding wheel, and readjust as required. The clearance to the grinding wheel may not exceed 2 mm.** When the clearance is larger, you are not sufficiently protected against sparking. The workpiece can be drawn in by the rotational motion of the grinding wheel and lead to injuries.

**Changing a Grinding Wheel**

► **Before any work on the machine itself, pull the mains plug.**

► **The rated speed of the accessory must be at least equal to the maximum speed marked on the power tool.** Accessories running faster than their rated speed can break and fly apart.

► **Grinding wheels whose diameter exceeds the specification on the power tool are not permitted.**

Replace the grinding wheel when the holder of the spark guard 10 can no longer be adjusted to the required clearance of 2 mm (max.) to the grinding wheel.

- Loosen the 3 screws of cover 1 and remove cover 1. Hold the grinder spindle 5 with open-end spanner 9 and unscrew the clamping nut 2 from the grinder spindle 5.

**Note:** The grinder spindle 5 on the left side of the machine has a left-hand thread.

- Remove the clamping flange 3 and the grinding wheel from the grinder spindle 5.
- The new grinding wheel is mounted in reverse order. Place the cover 1 firmly onto the housing and tighten with the 3 screws.



- ▶ **Use the power tool only with application tools which are mounted on both spindles.** This will prevent contact with the rotating spindle.

Dress used and out-of-centre grinding wheels with a whetstone (accessory) before continuing to use them.

### Dust/Chip Extraction

- ▶ Dust from materials such as lead-containing coatings, some wood types, minerals and metal can be harmful to one's health. Touching or breathing-in the dust can cause allergic reactions and/or lead to respiratory infections of the user or bystanders.
  - Certain dust, such as oak or beech dust, is considered carcinogenic, especially in connection with wood-treatment additives (chromate, wood preservative). Materials containing asbestos may only be worked by specialists.
    - Provide for good ventilation of the working place.
    - It is recommended to wear a P2 filter-class respirator.
- ▶ **Observe the relevant regulations in your country for the materials to be worked.**
- ▶ **Prevent dust accumulation at the workplace.** Dust can easily ignite.

## Operation

### Starting Operation

- ▶ **Observe correct mains voltage! The voltage of the power source must agree with the voltage specified on the nameplate of the machine. Power tools marked with 230 V can also be operated with 220 V.**
- ▶ **Check the grinding tools before using. The grinding tools must be properly mounted and must rotate freely. Carry out a 1 minute (minimum) test run at maximum speed in a safe environment with no load. Do not use damaged, out-of-centre or vibrating grinding tools.** Damaged grinding tools can burst and cause injuries.

**Products sold in AUS and NZ only:** Use a residual current device (RCD) with a rated residual current of 30 mA or less.

### Switching On and Off

To save energy, only switch the power tool on when using it.

- To **start** the machine, push the On/Off switch **8** to the "I" position.
- To **switch off** the machine, push the On/Off switch **8** to the "0" position.

### Working Advice

- ▶ **Wear a work apron. Pay attention that other persons are not put at risk from sparking. Remove flammable materials in close vicinity.** Sparking occurs when cutting metal.
- ▶ **Never reach into the running grinding wheel of the machine.** This can lead to serious injuries.
- ▶ **Guide the workpiece only against the switched-on machine and do not switch the machine off until after having removed the workpiece.** The workpiece can move suddenly.

Use silicon carbide grinding discs C (accessory) when working silicon carbide (TC) workpieces.

Protect the grinding tool against impact, shock and grease.

- Place the workpiece subject to grinding onto the workpiece support **12** and press it moderately against the grinding wheel. To achieve optimal grinding results, lightly move the workpiece back and forth. This also ensures that the grinding wheel is worn off evenly.
- Occasionally cool off the workpiece in water.

### Transport

- Remove all accessories that cannot be mounted firmly to the power tool.
- Wind up the network cable completely and tie it together.
- To lift or transport the power tool, hold it from below by the two protective guards **6**. You can support the power tool in the area of the holes for mounting **7**.
- ▶ **Never use the spark arrestor 11 or workpiece support 12 when transporting the power tool.**

## Maintenance and Service

### Maintenance and Cleaning

- ▶ **Before any work on the machine itself, pull the mains plug.**
- ▶ **For safe and proper working, always keep the machine and ventilation slots clean.**

If the replacement of the supply cord is necessary, this has to be done by Bosch or an authorized Bosch service agent in order to avoid a safety hazard.

### After-sales Service and Application Service

Our after-sales service responds to your questions concerning maintenance and repair of your product as well as spare parts. Exploded views and information on spare parts can also be found under:

**www.bosch-pt.com**

Bosch's application service team will gladly answer questions concerning our products and their accessories.

In all correspondence and spare parts orders, please always include the 10-digit article number given on the nameplate of the product.

### Cambodia

Robert Bosch (Cambodia) Co., Ltd  
Unit 8BC, GT Tower, 08th Floor, Street 169,  
Czechoslovakia Blvd, Sangkat Veal Vong  
Khan 7 Makara, Phnom Penh  
VAT TIN: 100 169 511  
Tel.: +855 23 900 685  
Tel.: +855 23 900 660  
www.bosch.com.kh

## 10 | English

**People's Republic of China****China Mainland**

Bosch Power Tools (China) Co., Ltd.  
567, Bin Kang Road  
Bin Jiang District 310052  
Hangzhou, P. R. China  
Tel.: 4008268484  
Fax: (0571) 87774502  
E-Mail: contact.ptcn@cn.bosch.com  
www.bosch-pt.com.cn

**HK and Macau Special Administrative Regions**

Robert Bosch Co. Ltd.  
21st Floor, 625 King's Road  
North Point, Hong Kong  
Customer Service Hotline: +852 2101 0235  
Fax: +852 2590 9762  
E-Mail: info@hk.bosch.com  
www.bosch-pt.com.hk

**India**

Bosch Service Center  
69, Habibullah Road, (Next to PSBB School), T. Nagar  
Chennai – 600077  
Phone: (044) 64561816

Bosch Service Center Rishyamook  
85A, Panchkuin Road  
New Delhi – 110001  
Phone: (011) 43166190

Bosch Service Center  
79, Crystal Bldg., Dr. Annie Besant Road, Worli  
Mumbai – 400018  
Phone: (022) 39569936 / (022) 39569959 /  
(022) 39569967 / (022) 24952071

**Indonesia**

PT Robert Bosch  
Palma Tower 10<sup>th</sup> Floor  
Jalan RA Kartini II-S Kaveling 6  
Pondok Pinang, Kebayoran Lama  
Jakarta Selatan 12310  
Tel.: (21) 3005-5800  
www.bosch-pt.co.id

**Malaysia**

Robert Bosch Sdn. Bhd. (220975-V) PT/SMY  
No. 8A, Jalan 13/6  
46200 Petaling Jaya  
Selangor  
Tel.: (03) 79663194  
Toll-Free: 1800 880188  
Fax: (03) 79583838  
E-Mail: kiathoe.chong@my.bosch.com  
www.bosch-pt.com.my

**Pakistan**

Robert Bosch Middle East FZE – Pakistan Liaison Office  
2nd Floor Plaza # 10, CCA Block, DHA Phase 5  
Lahore, 54810  
Phone: +92(303)4444311  
Email: Faisal.Khan@bosch.com

**Philippines**

Robert Bosch, Inc.  
28th Floor Fort Legend Towers,  
3rd Avenue corner 31st Street,  
Fort Bonifacio, Global City,  
1634 Taguig City  
Tel.: (632) 8703871  
Fax: (632) 8703870  
www.bosch-pt.com.ph

**Singapore**

Powerwell Service Centre Ptd Ltd  
Bosch Authorised Service Centre (Power Tools)  
4012 Ang Mo Kio Ave 10, #01-02 TECHplace  
Singapore 569628  
Tel.: 6452 1770  
Fax: 6452 1760  
E-Mail: ask@powerwellsc.com  
www.powerwellsc.com  
www.bosch-pt.com.sg

**Thailand**

Robert Bosch Ltd.  
Liberty Square Building  
No. 287, 11 Floor  
Silom Road, Bangrak  
Bangkok 10500  
Tel.: 02 6393111  
Fax: 02 2384783

Robert Bosch Ltd., P. O. Box 2054  
Bangkok 10501  
www.bosch.co.th

Bosch Service – Training Centre  
La Salle Tower Ground Floor Unit No.2  
10/11 La Salle Moo 16  
Srinakharin Road  
Bangkaew, Bang Plee  
Samutprakarn 10540  
Tel.: 02 7587555  
Fax: 02 7587525

**Vietnam**

Branch of Bosch Vietnam Co., Ltd in HCMC  
Floor 10, 194 Golden Building  
473 Dien Bien Phu Street  
Ward 25, Binh Thanh District, Ho Chi Minh City  
Tel.: (08) 6258 3690  
Fax: (08) 6258 3692  
Hotline: (08) 6250 8555  
www.bosch-pt.com.vn

**Armenia, Azerbaijan, Georgia, Kyrgyzstan, Mongolia, Tajikistan, Turkmenistan, Uzbekistan**

TOO "Robert Bosch" Power Tools, After Sales Service  
Rayimbek Ave., 169/1  
050050, Almaty, Kazakhstan  
Service Email: service.pt.ka@bosch.com  
Official Website: www.bosch.com, www.bosch-pt.com

**Bahrain**

Hatem Al Juffali Technical Equipment Establishment.  
Kingdom of Bahrain, Setra Highway, Al Aker Area  
Phone: +966126971777-311  
Fax: +97317704257  
Email: h.berjas@ejab.com.sa

**Egypt**

Unimar  
20 Markaz kadmat  
El tagmoa EL Aoul – New Cairo  
Phone: + 20 2224 76091-95  
Phone: + 20 2224 78072-73  
Fax: + 20 2224 78075  
Email: adelzaki@unimaregypt.com

**Iran**

Robert Bosch Iran  
3rd Floor, No 3, Maadiran Building  
Aftab St., Khodami St., Vanak Sq.  
Tehran 1994834571  
Phone: +9821- 86092057

**Iraq**

Sahba Technology Group  
Al Muthana airport road  
Baghdad  
Phone: +9647901906953  
Phone Dubai: +97143973851  
Email: bosch@sahbatechnology.com

**Jordan**

Roots Arabia – Jordan  
Nasser Bin Jameel street, Building 37 Al Rabiah  
11194 Amman  
Phone: +962 6 5545778  
Email: bosch@rootsjordan.com

**Kuwait**

Al Qurain Automotive Trading Company  
Shuwaikh Industrial Area, Block 1, Plot 16, Street 3rd  
P.O. Box 164 – Safat 13002  
Phone: 24810844  
Fax: 24810879  
E-mail: josephkr@aaalmutawa.com

**Lebanon**

Tehini Hana & Co. S.A.R.L.  
P.O. Box 90-449  
Jdeideh  
Dora-Beirut  
Phone: +9611255211  
Email: service-pt@tehini-hana.com

**Libya**

El Naser for Workshop Tools  
Swanee Road, Alfalah Area  
Tripoli  
Phone: +218 21 4811184

**Oman**

Malatan Trading & Contracting LLC  
P.O. Box 131  
Ruwi, 112 Sultanate of Oman  
Phone: +968 99886794  
Email: malatanpowertools@malatan.net

**Qatar**

International Construction Solutions W L L  
P. O. Box 51, Doha  
Phone: +974 40065458  
Fax: +974 4453 8585  
Email: csd@icsdoha.com

**Saudi Arabia**

Juffali Technical Equipment Co. (JTECO)  
Kilo 14, Madinah Road, Al Bawadi District  
Jeddah 21431  
Phone: +966 2 6672222 Ext. 1528  
Fax: +966 2 6676308  
Email: roland@ejab.com.sa

**Syria**

Dallal Establishment for Power Tools  
P.O. Box 1030  
Aleppo  
Phone: +963212116083  
Email: rita.dallal@hotmail.com

**United Arab Emirates**

Central Motors & Equipment LLC, P.O. Box 1984  
Al-Wahda Street – Old Sana Building  
Sharjah  
Phone: +971 6 593 2777  
Fax: +971 6 533 2269  
Email: powertools@centralmotors.ae

**Yemen**

Abualrejal Trading Corporation  
Sana'a Zubairy St. Front to new Parliament Building  
Phone: +967-1-202010  
Fax: +967-1-279029  
Email: tech-tools@abualrejal.com

**Ethiopia**

Forever plc  
Kebele 2,754, BP 4806,  
Addis Ababa  
Phone: +251 111 560 600  
Email: foreverplc@ethionet.et

**Ghana**

C.WOERMANN LTD.  
Nsawam Road/Avenor Junction, P.O. Box 1779  
Accra  
Phone: +233 302 225 141

**Kenya**

Robert Bosch East Africa Ltd  
Mpaka Road P.O. Box 856  
00606 Nairobi

## 12 | Français

**Nigeria**

Robert Bosch Nigeria Ltd.  
52 – 54 Isaac John Street P.O. Box  
GRA Ikeja – Lagos

**Republic of South Africa****Customer service**

Hotline: (011) 6519600

**Gauteng – BSC Service Centre**

35 Roper Street, New Centre  
Johannesburg  
Tel.: (011) 4939375  
Fax: (011) 4930126  
E-Mail: bsctools@icon.co.za

**KZN – BSC Service Centre**

Unit E, Almar Centre  
143 Crompton Street  
Pinetown  
Tel.: (031) 7012120  
Fax: (031) 7012446  
E-Mail: bsc.dur@za.bosch.com

**Western Cape – BSC Service Centre**

Democracy Way, Prosperity Park  
Milnerton  
Tel.: (021) 5512577  
Fax: (021) 5513223  
E-Mail: bsc@zsd.co.za

**Bosch Headquarters**

Midrand, Gauteng  
Tel.: (011) 6519600  
Fax: (011) 6519880  
E-Mail: rbsa-hq.pts@za.bosch.com

**Tanzania**

Diesel & Autoelectric Service Ltd.  
117 Nyerere Rd., P.O. Box 70839  
Vingunguti 12109, Dar Es Salaam  
Phone: +255 222 861 793/794

**Australia, New Zealand and Pacific Islands**

Robert Bosch Australia Pty. Ltd.  
Power Tools  
Locked Bag 66  
Clayton South VIC 3169  
Customer Contact Center  
Inside Australia:  
Phone: (01300) 307044  
Fax: (01300) 307045  
Inside New Zealand:  
Phone: (0800) 543353  
Fax: (0800) 428570  
Outside AU and NZ:  
Phone: +61 3 95415555  
www.bosch-pt.com.au  
www.bosch-pt.co.nz

**Disposal**

The machine, accessories and packaging should be sorted for environmental-friendly recycling.



Do not dispose of power tools into household waste!

Subject to change without notice.

**Français****Avertissements de sécurité****Avertissements de sécurité généraux pour l'outil électrique**

**⚠ AVERTISSEMENT** Lire tous les avertissements de sécurité, les instructions, les illustrations et les spécifications fournis avec cet outil électrique. Ne pas suivre les instructions énumérées ci-dessous peut provoquer un choc électrique, un incendie et/ou une blessure sérieuse.

**Conservation de tous les avertissements et toutes les instructions pour pouvoir s'y reporter ultérieurement.**

Le terme « outil électrique » dans les avertissements fait référence à votre outil électrique alimenté par le secteur (avec cordon d'alimentation) ou votre outil électrique fonctionnant sur batterie (sans cordon d'alimentation).

**⚠ AVERTISSEMENT** Lors de l'utilisation d'outil électroportatifs, respecter les instructions de sécurité fondamentales suivantes afin d'éviter les risques de choc électrique, de blessures et d'incendie.

**Lire toutes les consignes avant d'utiliser cet outil électroportatif et garder soigneusement les consignes de sécurité.**

**Sécurité de la zone de travail**

- ▶ **Conservation de la zone de travail propre et bien éclairée.** Les zones en désordre ou sombres sont propices aux accidents.
- ▶ **Ne pas faire fonctionner les outils électriques en atmosphère explosive, par exemple en présence de liquides inflammables, de gaz ou de poussières.** Les outils électriques produisent des étincelles qui peuvent enflammer les poussières ou les fumées.
- ▶ **Maintenir les enfants et les personnes présentes à l'écart pendant l'utilisation de l'outil électrique.** Les distractions peuvent vous faire perdre le contrôle de l'outil.

**Sécurité électrique**

- ▶ **Il faut que les fiches de l'outil électrique soient adaptées au socle. Ne jamais modifier la fiche de quelque façon que ce soit. Ne pas utiliser d'adaptateurs avec des outils électriques à branchement de terre.** Des fiches non modifiées et des socles adaptés réduisent le risque de choc électrique.

- ▶ **Éviter tout contact du corps avec des surfaces reliées à la terre telles que les tuyaux, les radiateurs, les cuisinières et les réfrigérateurs.** Il existe un risque accru de choc électrique si votre corps est relié à la terre.
- ▶ **Ne pas exposer les outils électriques à la pluie ou à des conditions humides.** La pénétration d'eau à l'intérieur d'un outil électrique augmente le risque de choc électrique.
- ▶ **Ne pas maltraiter le cordon. Ne jamais utiliser le cordon pour porter, tirer ou débrancher l'outil électrique. Maintenir le cordon à l'écart de la chaleur, du lubrifiant, des arêtes vives ou des parties en mouvement.** Des cordons endommagés ou emmêlés augmentent le risque de choc électrique.
- ▶ **Lorsqu'on utilise un outil électrique à l'extérieur, utiliser un prolongateur adapté à l'utilisation extérieure.** L'utilisation d'un cordon adapté à l'utilisation extérieure réduit le risque de choc électrique.
- ▶ **Si l'usage d'un outil électrique dans un emplacement humide est inévitable, utiliser une alimentation protégée par un dispositif à courant différentiel résiduel (RCD).** L'usage d'un RCD réduit le risque de choc électrique.

#### Sécurité des personnes

- ▶ **Rester vigilant, regarder ce que vous êtes en train de faire et faire preuve de bon sens dans votre utilisation de l'outil électrique. Ne pas utiliser un outil électrique lorsque vous êtes fatigué ou sous l'emprise de drogues, de l'alcool ou de médicaments.** Un moment d'inattention en cours d'utilisation d'un outil électrique peut entraîner des blessures graves.
- ▶ **Utiliser un équipement de protection individuelle. Toujours porter une protection pour les yeux.** Les équipements de protection individuelle tels que les masques contre les poussières, les chaussures de sécurité antidérapantes, les casques ou les protections auditives utilisés dans les conditions appropriées réduisent les blessures.
- ▶ **Éviter tout démarrage intempestif. S'assurer que l'interrupteur est en position arrêt avant de brancher l'outil au secteur et/ou au bloc de batteries, de le ramasser ou de le porter.** Porter les outils électriques en ayant le doigt sur l'interrupteur ou brancher des outils électriques dont l'interrupteur est en position marche est source d'accidents
- ▶ **Retirer toute clé de réglage avant de mettre l'outil électrique en marche.** Une clé laissée fixée sur une partie tournante de l'outil électrique peut donner lieu à des blessures.
- ▶ **Ne pas se précipiter. Garder une position et un équilibre adaptés à tout moment.** Cela permet un meilleur contrôle de l'outil électrique dans des situations inattendues.
- ▶ **S'habiller de manière adaptée. Ne pas porter de vêtements amples ou de bijoux. Garder les cheveux et les vêtements à distance des parties en mouvement.** Des vêtements amples, des bijoux ou les cheveux longs peuvent être pris dans des parties en mouvement.
- ▶ **Si des dispositifs sont fournis pour le raccordement d'équipements pour l'extraction et la récupération des poussières, s'assurer qu'ils sont connectés et correctement utilisés.** Utiliser des collecteurs de poussière peut réduire les risques dus aux poussières.
- ▶ **Rester vigilant et ne pas négliger les principes de sécurité de l'outil sous prétexte que vous avez l'habitude de l'utiliser.** Une fraction de seconde d'inattention peut provoquer une blessure grave.

#### Utilisation et entretien de l'outil électrique

- ▶ **Ne pas forcer l'outil électrique. Utiliser l'outil électrique adapté à votre application.** L'outil électrique adapté réalise mieux le travail et de manière plus sûre au régime pour lequel il a été construit.
- ▶ **Ne pas utiliser l'outil électrique si l'interrupteur ne permet pas de passer de l'état de marche à arrêt et inversement.** Tout outil électrique qui ne peut pas être commandé par l'interrupteur est dangereux et il faut le réparer.
- ▶ **Débrancher la fiche de la source d'alimentation et/ou enlever le bloc de batteries, s'il est amovible, avant tout réglage, changement d'accessoires ou avant de ranger l'outil électrique.** De telles mesures de sécurité préventives réduisent le risque de démarrage accidentel de l'outil électrique.
- ▶ **Conserver les outils électriques à l'arrêt hors de la portée des enfants et ne pas permettre à des personnes ne connaissant pas l'outil électrique ou les présentes instructions de le faire fonctionner.** Les outils électriques sont dangereux entre les mains d'utilisateurs novices.
- ▶ **Observer la maintenance des outils électriques et des accessoires. Vérifier qu'il n'y a pas de mauvais alignement ou de blocage des parties mobiles, des pièces cassées ou toute autre condition pouvant affecter le fonctionnement de l'outil électrique. En cas de dommages, faire réparer l'outil électrique avant de l'utiliser.** De nombreux accidents sont dus à des outils électriques mal entretenus
- ▶ **Garder affûtés et propres les outils permettant de couper.** Des outils destinés à couper correctement entretenus avec des pièces coupantes tranchantes sont moins susceptibles de bloquer et sont plus faciles à contrôler.
- ▶ **Utiliser l'outil électrique, les accessoires et les lames etc., conformément à ces instructions, en tenant compte des conditions de travail et du travail à réaliser.** L'utilisation de l'outil électrique pour des opérations différentes de celles prévues peut donner lieu à des situations dangereuses.
- ▶ **Il faut que les poignées et les surfaces de préhension restent sèches, propres et dépourvues d'huiles et de graisses.** Des poignées et des surfaces de préhension glissantes rendent impossibles la manipulation et le contrôle en toute sécurité de l'outil dans les situations inattendues.

#### Maintenance et entretien

- ▶ **Faire entretenir l'outil électrique par un réparateur qualifié utilisant uniquement des pièces de rechange**

## 14 | Français

**identiques.** Cela assure le maintien de la sécurité de l'outil électrique.

### Avertissements de sécurité du touret à meuler

- ▶ **Ne pas utiliser d'accessoire endommagé.** Avant chaque utilisation examiner les meules pour détecter la présence éventuelle de copeaux et de fissures. Si l'outil électrique ou l'accessoire a subi une chute, examiner les dommages éventuels ou installer un accessoire non endommagé. Après examen et installation d'un accessoire, placez-vous ainsi que les personnes présentes à distance du plan de l'accessoire en rotation et faire fonctionner l'outil électrique à vitesse maximale à vide pendant 1 min. Normalement, les accessoires endommagés se brisent pendant cette période d'essai.
- ▶ **La vitesse assignée de l'accessoire doit être au moins égale à la vitesse maximale indiquée sur l'outil électrique.** Les accessoires fonctionnant plus vite que leur vitesse assignée peuvent se rompre et voler en éclat.
- ▶ **Ne meulez jamais avec les côtés des meules.** En cas de meulage avec les côtés, les meules risquent de se casser ou de voler en éclat.



**Portez toujours des lunettes de protection.**

- ▶ **En cas de non-utilisation, conservez l'outil électroportatif et les accessoires dans un endroit sûr. L'emplacement de stockage doit être sec et verrouillable.** Ceci prévient l'endommagement de l'outil électroportatif pendant le stockage ou son utilisation par des personnes non initiées.
- ▶ **Contrôler le câble régulièrement et ne faire réparer un câble endommagé que par un Service Après-Vente autorisé pour outillage électroportatifs Bosch. Remplacer un câble de rallonge endommagé.** Ceci est indispensable pour assurer le bon fonctionnement en toute sécurité de l'outil électrique.
- ▶ **Brancher l'outil électroportatif sur le réseau de courant électrique correctement relié à la terre.** La prise de courant ainsi que la rallonge électrique doivent être munies d'un conducteur de protection en bon état.
- ▶ **Maintenir propre l'espace de travail.** Les mélanges de matériaux sont particulièrement dangereux. Les poussières de métaux légers peuvent être explosives ou inflammables.
- ▶ Protégez la meule contre les chocs, les coups et la graisse.

### Symboles

Les symboles suivants peuvent être importants pour l'utilisation de votre outil électroportatif. Veuillez mémoriser les symboles et leur signification. L'interprétation correcte des symboles vous permettra de mieux utiliser votre outil électroportatif et en toute sécurité.

### Symboles et leur signification



**Maintenir les mains hors de la zone de l'outil de ponçage pendant que l'outil électroportatif tourne.** Lors d'un contact avec l'outil de ponçage, il y a risque de blessures.



**Portez une protection acoustique.** Une forte exposition au bruit peut provoquer une perte d'audition.



**Portez toujours des lunettes de protection.**



**Portez un masque anti-poussières.**



**Portez des gants de protection.**

### Description et performances du produit



**Il est impératif de lire toutes les consignes de sécurité et toutes les instructions.** Le non-respect des avertissements et instructions indiqués ci-après peut conduire à une électrocution, un incendie et/ou de graves blessures.

### Utilisation conforme

L'outil électroportatif est conçu pour l'affûtage des outils ainsi que pour le ponçage et l'ébarbage des métaux. N'utiliser l'outil électroportatif que pendant une courte durée (60 min. max.).

### Éléments de l'appareil

La numérotation des éléments de l'appareil se réfère à la représentation de l'outil électroportatif sur la page graphique.

- 1 Capot
- 2 Ecrou de serrage
- 3 Bride de serrage
- 4 Bride porte-outil
- 5 Broche d'entraînement
- 6 Capot de protection
- 7 Alésages pour le montage
- 8 Interrupteur Marche/Arrêt
- 9 Clé plate \*

- 10 Dispositif de fixation de la protection anti-étincelles
- 11 Protection anti-étincelles
- 12 Support de la pièce

\*Les accessoires décrits ou illustrés ne sont pas tous compris dans la fourniture. Vous trouverez les accessoires complets dans notre programme d'accessoires.

### Caractéristiques techniques

Touret à meuler		GBG 35-15	
N° d'article		3 601 B7A 3..	
Puissance nominale absorbée P1	W	350	
Puissance utile débitée P2			
– 50 Hz	W	240	
– 60 Hz	W	250	
Mode de fonctionnement *		S2 (60 min)	
Vitesse à vide			
– 50 Hz	tr/min	3000	
– 60 Hz	tr/min	3600	
Filetage de broche		M 12	
Meules			
– Diamètre	mm	150	
– Largeur	mm	20	
– Perçage de positionnement	mm	12,7/20	
– Grains		24/60	
Bride porte-outil			
– Perçage de positionnement	mm	12,7	
– Évidement mini	mm	1,5	
Poids suivant EPTA-Procédure 01:2014	kg	10,0	
Classe de protection		Ⓜ / I	

Ces indications sont valables pour une tension nominale de [U] 230 V. Ces indications peuvent varier pour des tensions plus basses ainsi que pour des versions spécifiques à certains pays.

\* Le mode de fonctionnement S2 (60 min) indique le mode à courte durée de max. 60 min. Après écoulement de ce temps, arrêtez le moteur et laissez l'outil électroportatif se refroidir.

### Montage

- ▶ **Avant d'effectuer des travaux sur l'outil électroportatif, retirez la fiche de la prise de courant.**
- Fixez avec des vis de taille appropriée l'outil électroportatif à l'établi / au plan de travail au niveau des 4 alésages 7 prévus à cet effet.

### Montage de la protection anti-étincelles/du support de la pièce (voir fig. A – D)

- ▶ **N'utilisez l'outil électroportatif qu'avec le pare-étincelles 11 et basculez-le aussi loin que possible vers le bas.** Les étincelles produites risquent de causer des blessures aux yeux ou d'enflammer les objets qui se trouvent à proximité.
- ▶ **Utilisez toujours l'outil électroportatif avec les supports de pièce. N'interventez pas les supports de pièce 12 gauche et droit.** La distance entre support de pièce 12 et meule est sinon trop grande. En cas de trop grand espacement, vous n'êtes pas suffisamment protégé

des étincelles. La pièce à affûter risque d'être happée par la meule en rotation et causer des blessures.

- Montez le dispositif de fixation de protection anti-étincelles 10 à l'aide des deux vis.
- Montez la protection anti-étincelles 11 sur le dispositif de fixation de la protection anti-étincelles 10.
- Montez le support de la pièce 12 conformément aux indications sur la figure.

- ▶ **Contrôler régulièrement la distance entre le support de la pièce 12 ou le dispositif de fixation de la protection anti-étincelles 10 et la meule et, le cas échéant, réajustez-la. La distance vers la meule ne doit pas dépasser 2 mm.** Si la distance est plus importante, vous n'êtes pas suffisamment protégé contre les étincelles. La pièce peut être happée par la rotation de la meule, ce qui entraîne des blessures.

### Remplacement de la meule

- ▶ **Avant d'effectuer des travaux sur l'outil électroportatif, retirez la fiche de la prise de courant.**
- ▶ **La vitesse assignée de l'accessoire doit être au moins égale à la vitesse maximale indiquée sur l'outil électrique.** Les accessoires fonctionnant plus vite que leur vitesse assignée peuvent se rompre et voler en éclat.
- ▶ **Il n'est pas permis d'utiliser des meules d'un diamètre supérieur à ce qui est indiqué sur l'outil électroportatif.**

Remplacez la meule, si le dispositif de fixation de la protection anti-étincelles 10 ne se laisse plus régler à la distance nécessaire de 2 mm max. vers la meule.

- Dévissez les 3 vis du capot 1 et retirez le capot 1. Bloquez la broche d'entraînement 5 avec la clé plate 9 et dévissez l'écrou de serrage 2 de la broche d'entraînement 5.

**Note :** La broche d'entraînement 5 sortant du côté gauche de l'outil électroportatif a un filet à gauche.

- Enlevez la bride de serrage 3 et la meule de la broche d'entraînement 5.
- Le montage d'une nouvelle meule s'effectue dans l'ordre inverse. Remontez le capot 1 en appliquant une forte pression et resserrez-le à l'aide des trois vis.

- ▶ **Utilisez seulement l'outil électroportatif quand une meule est montée sur chaque broche.** Cela évite tout risque de contact avec la broche en rotation.

Réaffûtez les meules usées et déformées à l'aide de la pierre à aiguiser (accessoire) avant de les réutiliser.

### Aspiration de poussières/de copeaux

- ▶ Les poussières de matériaux tels que peintures contenant du plomb, certains bois, minéraux ou métaux, peuvent être nuisibles à la santé. Entrer en contact ou aspirer les poussières peut entraîner des réactions allergiques et/ou des maladies respiratoires auprès de l'utilisateur ou de personnes se trouvant à proximité.

Certaines poussières telles que les poussières de chêne ou de hêtre sont considérées comme cancérigènes, surtout en association avec des additifs pour le traitement du bois (chromate, lazure). Les matériaux contenant de l'amiante ne doivent être travaillés que par des personnes qualifiées.

## 16 | Français

- Veillez à bien aérer la zone de travail.
  - Il est recommandé de porter un masque respiratoire avec un niveau de filtration de classe P2.
- Respectez les règlements spécifiques aux matériaux à traiter en vigueur dans votre pays.

- ▶ **Évitez toute accumulation de poussières à l'emplacement de travail.** Les poussières peuvent facilement s'enflammer.

## Mise en marche

### Mise en service

- ▶ **Tenez compte de la tension du réseau ! La tension de la source de courant doit correspondre aux indications se trouvant sur la plaque signalétique de l'outil électroportatif. Les outils électroportatifs marqués 230 V peuvent également fonctionner sur 220 V.**
- ▶ **Contrôlez les outils de ponçage avant de les utiliser. L'outil de ponçage doit être correctement monté et doit pouvoir tourner librement. Effectuez un essai de marche en laissant tourner à la vitesse maximale l'outil pendant au moins 1 minute. N'utilisez pas des outils de ponçage endommagés, déformés ou générant des vibrations.** Les outils de ponçage endommagés peuvent fendre lors du travail et avoir de graves blessures pour conséquence.

### Mise en Marche/Arrêt

Afin d'économiser l'énergie, ne mettez l'outil électroportatif en marche que quand vous l'utilisez.

- Pour la **mise en service** de l'outil électroportatif, pousser l'interrupteur Marche/Arrêt **8** en position « **1** ».
- Pour **arrêter** l'outil électroportatif, pousser l'interrupteur Marche/Arrêt **8** en position « **0** ».

### Instructions d'utilisation

- ▶ **Porter un tablier de travail. Veiller à protéger toute personne contre des projections d'étincelles. Enlever les matériaux inflammables se trouvant à proximité.** L'usinage des métaux génère des étincelles.
- ▶ **Ne jamais mettre les doigts dans la meule en rotation.** Ceci peut entraîner de graves blessures.
- ▶ **Ne guider la pièce à travailler contre l'outil électroportatif que lorsque celui-ci est en marche et n'arrêter l'outil électroportatif qu'après l'avoir retiré de la pièce à travailler.** La pièce à travailler risque d'effectuer un mouvement brusque.

Utilisez des meules en carbure de silicium C (accessoire) pour usiner des pièces en carbure.

Protégez la meule contre les chocs, les coups et la graisse.

- Posez la pièce à meuler sur le support **12** et exercez une légère pression sur la meule. Afin d'obtenir des résultats optimaux, faites bouger la pièce légèrement d'un côté à l'autre. De cette manière, la meule s'use uniformément.
- Faites refroidir la pièce de temps en temps dans de l'eau.

### Transport

- Enlevez tous les accessoires qui ne peuvent pas être montés fermement sur l'outil électroportatif.
- Enroulez complètement le cordon d'alimentation et attachez-le.
- Pour soulever ou transporter l'outil électroportatif, saisissez-le par le bas au niveau des deux capots de protection **6**. Vous pouvez soutenir l'outil électroportatif au niveau des alésages pour le montage **7**.
- ▶ **Ne saisissez jamais l'outil électroportatif au niveau du dispositif pare-étincelle **11** ou des supports de pièce **12** pour le transporter.**

## Entretien et Service Après-Vente

### Nettoyage et entretien

- ▶ **Avant d'effectuer des travaux sur l'outil électroportatif, retirez la fiche de la prise de courant.**
- ▶ **Veillez à ce que l'outil électroportatif ainsi que les ouïes de ventilation soient toujours propres afin d'obtenir un travail impeccable et sûr.**

Si le remplacement du câble d'alimentation est nécessaire, ceci ne doit être effectué que par Bosch ou une station de Service Après-Vente agréée pour outillage Bosch afin d'éviter des dangers de sécurité.

### Service Après-Vente et Assistance

Notre Service Après-Vente répond à vos questions concernant la réparation et l'entretien de votre produit et les pièces de rechange. Vous trouverez des vues éclatées ainsi que des informations concernant les pièces de rechange également sous :

**www.bosch-pt.com**

Les conseillers techniques et assistants Bosch sont à votre disposition pour répondre à vos questions concernant nos produits et leurs accessoires.

Pour toute demande de renseignement ou commande de pièces de rechange, précisez-nous impérativement le numéro d'article à dix chiffres indiqué sur la plaque signalétique du produit.

#### Algeria

Siestal  
Zone Industrielle Ihaddaden  
06000 Bejaia  
Tel. : + 213 (0) 982 400 991/2  
Fax : + 213 (0) 3 420 1569  
E-Mail : sav@siestal-dz.com

#### Morocco

Robert Bosch Morocco SARL  
53, Rue Lieutenant Mahroud Mohamed  
20300 Casablanca  
E-Mail : sav.outillage@ma.bosch.com



**Túnia**

Robert Bosch Tunisie SARL  
7 Rue Ibn Battouta Z. I. Saint Gobain  
Mégrine Riadh  
2014 Ben Arous  
Tél. : + 216 71 427 496/879  
Fax : + 216 71 428 621  
E-Mail : sav.outillage@tn.bosch.com

**Côte d'Ivoire**

Rimco  
ZONE 3, 9 RUE DU CANAL  
01 BP V230, Abidjan 01  
Tel. : +225 21 25 93 38

**Sénegal**

Bernabé  
Km 2,5 – Bd du Centenaire de la Commune de Dakar  
B.P. 2098 DAKAR  
Tel. : +221 33 849 01 01  
Fax : +221 33 823 34 20

**Élimination des déchets**

Les outils électroportatifs, ainsi que leurs accessoires et emballages, doivent pouvoir suivre chacun une voie de recyclage appropriée.



Ne jetez pas les outils électroportatifs avec les ordures ménagères !

Sous réserve de modifications.

**Português****Indicações de segurança****Indicações gerais de segurança para ferramentas elétricas**

**⚠ ATENÇÃO** Devem ser lidas todas as indicações de segurança, instruções, ilustrações e especificações desta ferramenta elétrica. O desrespeito das instruções apresentadas abaixo pode causar choque elétrico, incêndio e/ou graves lesões.

**Guarde bem todas as advertências e instruções para futura referência.**

O termo "Ferramenta elétrica" utilizado a seguir nas indicações de advertência, refere-se a ferramentas elétricas operadas com corrente de rede (com cabo de rede) e a ferramentas elétricas operadas com acumulador (sem cabo de rede).

**⚠ ATENÇÃO** Como proteção contra choque elétrico e risco de lesões e incêndio, durante a utilização de ferramentas elétricas, é necessário observar as seguintes medidas de segurança básicas.

Como proteção contra choque elétrico e risco de lesões e incêndio, durante a utilização de ferramentas elétricas, é necessário observar as seguintes medidas de segurança básicas.

**Segurança da área de trabalho**

- ▶ **Mantenha a sua área de trabalho sempre limpa e bem iluminada.** Desordem ou áreas de trabalho insuficientemente iluminadas podem levar a acidentes.
- ▶ **Não trabalhar com a ferramenta elétrica em áreas com risco de explosão, nas quais se encontrem líquidos, gases ou pós inflamáveis.** Ferramentas elétricas produzem faíscas, que podem inflamar pós ou vapores.
- ▶ **Manter crianças e outras pessoas afastadas da ferramenta elétrica durante a utilização.** No caso de distração é possível que perca o controlo sobre o aparelho.

**Segurança elétrica**

- ▶ **A ficha de conexão da ferramenta elétrica deve caber na tomada. A ficha não deve ser modificada de maneira alguma. Não utilizar uma ficha de adaptação junto com ferramentas elétricas protegidas por ligação à terra.** Fichas não modificadas e tomadas apropriadas reduzem o risco de um choque elétrico.
- ▶ **Evitar que o corpo possa entrar em contacto com superfícies ligadas à terra, como tubos, aquecimentos, fogões e frigoríficos.** Há um risco elevado devido a choque elétrico, se o corpo estiver ligado à terra.
- ▶ **Manter o aparelho afastado de chuva ou humidade.** A infiltração de água numa ferramenta elétrica aumenta o risco de choque elétrico.
- ▶ **Não deverá utilizar o cabo para outras finalidades. Jamais utilizar o cabo para transportar a ferramenta elétrica, para pendurá-la, nem para puxar a ficha da tomada. Manter o cabo afastado de calor, óleo, cantos afiados ou partes do aparelho em movimento.** Cabos danificados ou emaranhados aumentam o risco de um choque elétrico.
- ▶ **Se trabalhar com uma ferramenta elétrica ao ar livre, só deverá utilizar cabos de extensão apropriados para áreas exteriores.** A utilização de um cabo de extensão apropriado para áreas exteriores reduz o risco de um choque elétrico.
- ▶ **Se não for possível evitar o funcionamento da ferramenta elétrica em áreas húmidas, deverá ser utilizado um disjuntor de corrente de avaria.** A utilização de um disjuntor de corrente de avaria reduz o risco de um choque elétrico.

**Segurança de pessoas**

- ▶ **Esteja atento, observe o que está a fazer e tenha prudência ao trabalhar com a ferramenta elétrica. Não utilizar uma ferramenta elétrica quando estiver fatigado ou sob a influência de drogas, álcool ou medicamentos.**

## 18 | Português

Um momento de descuido ao utilizar a ferramenta elétrica, pode levar a lesões graves.

- ▶ **Utilizar equipamento de proteção pessoal e sempre óculos de proteção.** A utilização de equipamento de proteção pessoal, como máscara de proteção contra pó, sapatos de segurança antiderrapantes, capacete de segurança ou proteção auricular, de acordo com o tipo e aplicação da ferramenta elétrica, reduz o risco de lesões.
- ▶ **Evitar uma colocação em funcionamento involuntária. Assegure-se de que a ferramenta elétrica esteja desligada, antes de conectá-la à alimentação de rede e/ou ao acumulador, antes de levá-la ou de transportá-la.** Se tiver o dedo no interruptor ao transportar a ferramenta elétrica ou se o aparelho for conectado à alimentação de rede enquanto estiver ligado, poderão ocorrer acidentes.
- ▶ **Remover ferramentas de ajuste ou chaves de boca antes de ligar a ferramenta elétrica.** Uma ferramenta ou chave que se encontre numa parte do aparelho em movimento pode levar a lesões.
- ▶ **Evite uma posição anormal. Mantenha uma posição firme e mantenha sempre o equilíbrio.** Desta forma é mais fácil controlar a ferramenta elétrica em situações inesperadas.
- ▶ **Usar roupa apropriada. Não usar roupa larga nem joias. Mantenha os cabelos e roupas afastados de partes em movimento.** Roupas frouxas, cabelos longos ou joias podem ser agarrados por peças em movimento.
- ▶ **Se for possível montar dispositivos de aspiração ou de recolha, assegure-se de que estejam conectados e utilizados corretamente.** A utilização de uma aspiração de pó pode reduzir o perigo devido ao pó.
- ▶ **Não deixe que a familiaridade resultante de uma utilização frequente de ferramentas permita que você se torne complacente e ignore os princípios de segurança da ferramenta.** Uma ação descuidada pode causar ferimentos graves numa fração de segundo.

#### Utilização e manuseio cuidadoso de ferramentas elétricas

- ▶ **Não sobrecarregue o aparelho. Utilize a ferramenta elétrica apropriada para o seu trabalho.** É melhor e mais seguro trabalhar com a ferramenta elétrica apropriada na área de potência indicada.
- ▶ **Não utilizar uma ferramenta elétrica com um interruptor defeituoso.** Uma ferramenta elétrica que não pode mais ser ligada nem desligada, é perigosa e deve ser reparada.
- ▶ **Puxar a ficha da tomada e/ou remover o acumulador, se amovível, antes de executar ajustes no aparelho, de substituir acessórios ou de guardar o aparelho.** Esta medida de segurança evita o arranque involuntário da ferramenta elétrica.
- ▶ **Guardar ferramentas elétricas não utilizadas fora do alcance de crianças. Não permita que pessoas que não estejam familiarizadas com o aparelho ou que não tenham lido estas instruções, utilizem o aparelho.** Ferramentas elétricas são perigosas se forem utilizadas por pessoas inespertas.

- ▶ **Tratar a ferramenta elétrica e os acessórios com cuidado. Controlar se as partes móveis do aparelho funcionam perfeitamente e não emperram, e se há peças quebradas ou danificadas que possam prejudicar o funcionamento da ferramenta elétrica. Permitir que peças danificadas sejam reparadas antes da utilização.** Muitos acidentes têm como causa, a manutenção insuficiente de ferramentas elétricas.
- ▶ **Mantém as ferramentas de corte afiadas e limpas.** Ferramentas de corte cuidadosamente tratadas e com cantos de corte afiados emperram com menos frequência e podem ser conduzidas com maior facilidade.
- ▶ **Utilizar a ferramenta elétrica, acessórios, ferramentas de aplicação, etc. conforme estas instruções. Considerar as condições de trabalho e a tarefa a ser executada.** A utilização de ferramentas elétricas para outras tarefas a não ser as aplicações previstas, pode levar a situações perigosas.
- ▶ **Mantenha os punhos e as superfícies de agarrar secas, limpas e livres de óleo e massa consistente.** Punhos e superfícies de agarrar escorregadias não permitem o manuseio e controle seguros da ferramenta em situações inesperadas.

#### Serviço

- ▶ **Só permita que o seu aparelho seja reparado por pessoal especializado e qualificado e só com peças de reposição originais.** Desta forma é assegurado o funcionamento seguro do aparelho.

#### Instruções de segurança para esmeriladoras de bancada

- ▶ **Não utilizar ferramentas de trabalho danificadas. Antes de cada utilização dos discos de lixa, deverá controlar se há estilhaços e fissuras. Se a ferramenta elétrica ou a ferramenta de trabalho caírem, deverá verificar se sofreram danos, caso contrário deverá utilizar uma ferramenta de trabalho intacta. Após ter controlado e introduzido a ferramenta de trabalho, deverá manter si próprio e as pessoas que se encontrem nas proximidades, fora da área de rotação da ferramenta de trabalho e permitir que a ferramenta elétrica funcione durante um minuto com o máximo número de rotação.** A maioria das ferramentas de trabalho danificadas quebra durante este período de teste.
- ▶ **O número de rotação admissível da ferramenta de trabalho deve ser no mínimo tão alto quanto o máximo número de rotação indicado na ferramenta elétrica.** Acessórios que girem mais rápido do que permitido, podem quebrar e serem atirados para longe.
- ▶ **Nunca lixe nas superfícies laterais dos discos abrasivos.** Ao lixar nas superfícies laterais os discos abrasivos podem partir e ir pelos ares.



Usar óculos de proteção.

- ▶ **Quando a ferramenta elétrica não estiver a ser usada, guarde-a junto com os acessórios num lugar seguro. Ela deve ser guardada num local seco e que possa ser trancado.** Assim evita-se que a ferramenta elétrica sofra danos devido ao armazenamento ou que seja operada por pessoas inexperientes.
- ▶ **Controlar o cabo em intervalos regulares e permitir que um cabo danificado seja reparado por um serviço pós-venda autorizado para ferramentas elétricas Bosch. Substituir cabos de extensão danificados.** Desta forma é assegurada a segurança da ferramenta elétrica.
- ▶ **Conectar a ferramenta elétrica a uma rede de corrente elétrica corretamente ligada à terra.** A tomada e o cabo de extensão devem ter um condutor de proteção que funcione.
- ▶ **Manter o seu local de trabalho limpo.** Misturas de material são especialmente perigosas. Pó de metal leve pode queimar ou explodir.
- ▶ Proteger o disco de lixa contra golpes, pancadas e gordura.

## Símbolos

Os seguintes símbolos podem ser importantes para a utilização da sua ferramenta elétrica. Os símbolos e os seus significados devem ser memorizados. A interpretação correta dos símbolos facilita a utilização segura e aprimorada da ferramenta elétrica.

### Símbolos e seus significados



**Manter as suas mãos afastadas da área de atuação do rebolo enquanto a ferramenta elétrica estiver em funcionamento.** Há perigo de lesões se houver contacto com o rebolo.



**Usar proteção auricular.** Ruídos podem provocar a perda da audição.



**Usar óculos de proteção.**



**Usar uma máscara de proteção contra pó.**



**Usar luvas de proteção.**

## Descrição do produto e da potência



**Devem ser lidas todas as indicações de advertência e todas as instruções.** O desrespeito das advertências e instruções apresentadas abaixo pode causar choque elétrico, incêndio e/ou graves lesões.

### Utilização conforme as disposições

A ferramenta elétrica é destinada para afiar ferramentas, assim como para lixar e rebarbar metal.

A ferramenta elétrica só deve ser utilizada no funcionamento temporário (máx. 60 min).

### Componentes ilustrados

A numeração dos componentes ilustrados refere-se à apresentação da ferramenta elétrica na página de esquemas.

- 1 Cobertura
- 2 Porca de aperto
- 3 Flange de aperto
- 4 Flange de admissão
- 5 Veio de retificação
- 6 Capa de proteção
- 7 Orifícios para montagem
- 8 Interruptor de ligar-desligar
- 9 Chave de forqueta \*
- 10 Fixação da proteção contra chispas
- 11 Proteção contra faúlhas
- 12 Superfície de apoio da peça a ser trabalhada

**\*Acessórios apresentados ou descritos não pertencem ao volume de fornecimento padrão. Todos os acessórios encontram-se no nosso programa de acessórios.**

### Dados técnicos

Esmeriladora dupla		GBG 35-15
N.º do produto		3 601 B7A 3..
Potência nominal consumida P1	W	350
Potência útil P2		
– 50 Hz	W	240
– 60 Hz	W	250
Tipo de funcionamento *		S2 (60 min)
N.º de rotações em ponto morto		
– 50 Hz	rpm	3000
– 60 Hz	rpm	3600
Rosca do veio de retificação		M 12

As indicações valem para tensões nominais [U] de 230 V. Estas indicações podem variar dependendo de tensões inferiores e dos modelos específicos dos países.

\* O tipo de funcionamento S2 (60 min) designa o funcionamento temporário com uma máxima duração de funcionamento de 60 min. Após o decorrer deste período deverá depositar a ferramenta elétrica e deixá-la arrefecer.

## 20 | Português

**Esmeriladora dupla** **GBG 35-15**

Discos de lixa		
- Diâmetro	mm	150
- Largura	mm	20
- Furo de centragem	mm	12,7/20
- Grão		24/60
Flange de admissão		
- Furo de centragem	mm	12,7
- Roço mín.	mm	1,5
Peso conforme EPTA-Procedure 01:2014		
	kg	10,0
Classe de proteção		
		⊕ / I

As indicações valem para tensões nominais [U] de 230 V. Estas indicações podem variar dependendo de tensões inferiores e dos modelos específicos dos países.

\* O tipo de funcionamento S2 (60 min) designa o funcionamento temporário com uma máxima duração de funcionamento de 60 min. Após o decorrer deste período deverá depositar a ferramenta elétrica e deixá-la arrefecer.

## Montagem

- ▶ **Antes de todos trabalhos na ferramenta elétrica deverá puxar a ficha de rede da tomada.**
- Fixe a ferramenta elétrica à bancada de trabalho nos 4 orifícios previstos **7** com parafusos apropriados.

## Montar a proteção contra chispas/apoio da peça a ser trabalhada (veja figura A – D)

- ▶ **Utilize a ferramenta elétrica apenas com para-chispas **11** e rode-a tanto quanto possível para baixo.** As faíscas originadas podem lesionar os olhos ou incendiar objetos nas imediações.
- ▶ **Utilize a ferramenta elétrica apenas com o apoio para as peças. Não troque o apoio para as peças **12** direito e esquerdo.** Caso contrário, a distância entre o apoio para as peças **12** e o disco de rebarbar é demasiado grande. Se a distância for muito grande, a proteção contra faíscas não é suficiente. A peça pode ser puxada pelo movimento de rotação do disco de rebarbar e provocar ferimentos.
- Montar a fixação da proteção contra chispas **10** com os dois parafusos.
- Atarraxar a proteção contra chispas **11** na fixação para a proteção contra chispas **10**.
- Montar o apoio da ferramenta de trabalho **12** como apresentado na figura.
- ▶ **Controlar regularmente a distância entre o apoio da peça a ser trabalhada **12** ou da fixação da proteção contra chispas **10** e o disco de lixa e reajustar se necessário. A distância do disco de lixa não deve ser maior do que **2 mm**.** Se a distância for maior, não estará mais suficientemente protegido contra chispas. A peça a ser trabalhada pode ser puxada pela rotação do disco de lixa e levar a lesões.

## Substituição do disco de lixa

- ▶ **Antes de todos trabalhos na ferramenta elétrica deverá puxar a ficha de rede da tomada.**

▶ **O número de rotação admissível da ferramenta de trabalho deve ser no mínimo tão alto quanto o máximo número de rotação indicado na ferramenta elétrica.** Acessórios que girem mais rápido do que permitido, podem quebrar e serem atirados para longe.

▶ **Discos de rebarbar, cujo diâmetro excede a indicação na ferramenta elétrica, não são permitidos.**

Substituir o disco de lixa se a fixação da proteção contra chispas **10** não puder ser ajustado na distância exigida de no mínimo 2 mm em relação ao disco de lixa.

- Solte os 3 parafusos na cobertura **1** e retire a cobertura **1**. Segure o veio de trabalho **5** com a chave de bocas **9** e desaperte a porca de aperto **2** do veio de trabalho **5**.

**Nota:** O veio de retificação **5**, que sobressai do lado esquerdo da ferramenta elétrica, tem uma rosca à esquerda.

- Retirar o flange de aperto **3** e o disco de lixa do veio de retificação **5**.
- A montagem do disco de lixa novo é realizada em sequência invertida. Recolocar a cobertura **1** com pressão firme e atarraxá-la com os 3 parafusos.

▶ **Utilize a ferramenta elétrica apenas com os acessórios montados nos dois veios.** Dessa forma é evitado o contacto com o veio em rotação.

Retificar os discos de lixa gastos e descentradas, antes de sejam utilizadas, com pedra de afiar (acessório).

## Aspiração de pó/de aparas

▶ Pós de materiais como por exemplo, tintas que contêm chumbo, alguns tipos de madeira, minerais e metais, podem ser nocivos à saúde. O contacto ou a inalação dos pós pode provocar reações alérgicas e/ou doenças nas vias respiratórias do utilizador ou das pessoas que se encontrem por perto.

Certos pós, como por exemplo pó de carvalho e faia são considerados como sendo cancerígenos, especialmente quando juntos com substâncias para o tratamento de madeiras (cromato, preservadores de madeira). Material que contém asbesto só deve ser processado por pessoal especializado.

- Assegurar uma boa ventilação do local de trabalho.
- É recomendável usar uma máscara de proteção respiratória com filtro da classe P2.

Observe as diretivas para os materiais a serem trabalhados, vigentes no seu país.

▶ **Evite o acúmulo de pó no local de trabalho.** Pós podem entrar levemente em ignição.

## Funcionamento

### Colocação em funcionamento

▶ **Observar a tensão de rede! A tensão da fonte de corrente deve coincidir com a indicada na chapa de identificação da ferramenta elétrica.** Ferramentas elétricas marcadas para 230 V também podem ser operadas com 220 V.

▶ **Controlar a ferramenta abrasiva antes de utilizá-la. A ferramenta abrasiva deve estar montada de forma cor-**

**reta e deve movimentar-se livremente. Executar um funcionamento de teste com o máximo número de rotações, sem carga, durante no mínimo 1 minuto. Não utilizar ferramentas abrasivas danificadas, descentradas ou a vibrar.** Ferramentas abrasivas danificadas podem estourar e causar lesões.

#### Ligar e desligar

Para poupar energia só deverá ligar a ferramenta elétrica quando ela for utilizada.

- Para a **colocação em funcionamento** da ferramenta elétrica, deverá bascular o interruptor de ligar-desligar **8** para a posição "1".
- Para **desligar** a ferramenta elétrica, deverá bascular o interruptor de ligar-desligar **8** para a posição "0".

#### Indicações de trabalho

- ▶ **Usar um avental. Assegure-se de que nenhuma pessoa corra risco devido a voo de faúlhas. Remover os materiais inflamáveis das proximidades.** Ao lixar é produzido voo de faúlhas.
- ▶ **Jamais tocar no disco de lixa da ferramenta elétrica enquanto estiver em movimento.** Isto pode levar a graves lesões.
- ▶ **Só conduzir a peça a ser trabalhada em direção da ferramenta ligada e só desligar a ferramenta, após ter levantado da peça a ser trabalhada.** A peça a ser trabalhada pode movimentar-se de repente.

Para o processamento de peças de metal duro deverão ser utilizados discos de lixa de carbono de cilício C (acessório). Proteger o disco de lixa contra golpes, pancadas e gordura.

- Colocar a peça a ser lixada sobre o apoio da peça **12** e premir levemente contra o disco de lixa. Para alcançar resultados de lixamento ideais deverá movimentar a peça a ser trabalhada para cá e para lá. Além disso o disco de lixa é desgastado uniformemente.
- Arrefecer entrementes a peça a ser trabalhada com água.

#### Transporte

- Remover todos os acessórios que não estão montados firmemente na ferramenta elétrica.
- Enrole completamente o cabo de corrente elétrica e una-o.
- Para elevar ou transportar a ferramenta elétrica segure-a por baixo, nas duas tampas de proteção **6**. Pode apoiar a ferramenta elétrica na área dos furos para a montagem **7**.
- ▶ **Nunca utilize o para-chispas 11 ou o apoio para as peças 12 para transportar a ferramenta elétrica.**

## Manutenção e serviço

#### Manutenção e limpeza

- ▶ **Antes de todos trabalhos na ferramenta elétrica deverá puxar a ficha de rede da tomada.**
- ▶ **Manter a ferramenta elétrica e as aberturas de ventilação sempre limpas, para trabalhar bem e de forma segura.**

Se for necessário substituir o cabo de conexão, isto deverá ser realizado pela Bosch ou por uma oficina de serviço pós-venda autorizada para todas as ferramentas elétricas Bosch para evitar riscos de segurança.

#### Serviço pós-venda e consultoria de aplicação

O serviço pós-venda responde às suas perguntas a respeito de serviços de reparação e de manutenção do seu produto, assim como das peças sobressalentes. Desenhos explodidos e informações sobre peças sobressalentes encontram-se em: **www.bosch-pt.com**

A nossa equipa de consultoria de aplicação Bosch esclarece com prazer todas as suas dúvidas a respeito da compra, aplicação e ajuste dos produtos e acessórios.

Indique para todas as questões e encomendas de peças sobressalentes a referência de 10 dígitos de acordo com a placa de características do produto.

#### Brasil

Robert Bosch Ltda. – Divisão de Ferramentas Elétricas  
Caixa postal 1195 – CEP: 13065-900  
Campinas – SP  
Tel.: 0800 7045 446  
www.bosch.com.br/contato

#### Angola

InvestGlobal  
Parque Logístico  
Estrada de Viana Km 12  
Luanda  
Tel. : +212 948 513 580  
E-Mail: helderibeiro@investglobal-ang.com

#### Eliminação

Ferramentas elétricas, acessórios e embalagens devem ser enviados a uma reciclagem ecológica de matérias-primas.



Não deitar ferramentas elétricas no lixo doméstico!

**Sob reserva de alterações.**

## 中文

### 安全规章

#### 安全规章

**警告！** 阅读所有警告和所有说明！不遵照以下警告和说明会导致电击、着火和/或严重伤害。

**保存所有警告和说明书以备查阅。**

在所有下列的警告中术语“电动工具”指市电驱动（有线）电动工具或电池驱动（无线）电动工具。

## 22 | 中文

**警告！** 使用电动工具时，为了避免操作者遭受电击，避免操作者受伤和防止火灾，务必遵循以下的基本安全措施。

操作本电动工具以前，先阅读所有的指示并且要好好保存这些安全规章。

**工作场地的安全**

- ▶ 保持工作场地清洁和明亮。混乱和黑暗的场地会引发事故。
- ▶ 不要在易爆环境，如有易燃液体、气体或粉尘的环境下操作电动工具。电动工具产生的火花会点燃粉尘或气体。
- ▶ 让儿童和旁观者离开后操作电动工具。注意力不集中会使操作者失去对工具的控制。

**电气安全**

- ▶ 电动工具插头必须与插座相配。绝不能以任何方式改装插头。需接地的电动工具不能使用任何转换插头。未经改装的插头和相配的插座将减少电击危险。
- ▶ 避免人体接触接地表面，如管道、散热片和冰箱。如果你身体接地会增加电击危险。
- ▶ 不得将电动工具暴露在雨中或潮湿环境中。水进入电动工具将增加电击危险。
- ▶ 不得滥用电线。绝不能用电线搬运、拉动电动工具或拔出其插头。使电线远离热源、油、锐边或运动部件。受损或缠绕的软线会增加电击危险。
- ▶ 当在户外使用电动工具时，使用适合户外使用的外接软线。适合户外使用的软线将减少电击危险。
- ▶ 如果在潮湿环境下操作电动工具是不可避免的，应使用剩余电流动作保护器（RCD）。使用 RCD 可减少电击危险。

**人身安全**

- ▶ 保持警觉，当操作电动工具时关注所从事的操作并保持清醒。当你感到疲倦，或在有药物、酒精或治疗反应时，不要操作电动工具。在操作电动工具时瞬间的疏忽会导致严重人身伤害。
- ▶ 使用个人防护装置。始终佩戴护目镜。安全装置，诸如适当条件下使用防尘面具、防滑安全鞋、安全帽、听力防护等装置能减少人身伤害。
- ▶ 防止意外起动。确保开关在连接电源和 / 或电池盒、拿起或搬运工具时处于关断位置。手指放在已接通电源的开关上或开关处于接通时插入插头可能会导致危险。
- ▶ 在电动工具接通之前，拿掉所有调节钥匙或扳手。遗留在电动工具旋转零件上的扳手或钥匙会导致人身伤害。
- ▶ 手不要伸展得太长。时刻注意立足点和身体平衡。这样在意外情况下能很好地控制电动工具。

- ▶ 着装适当。不要穿宽松衣服或佩戴饰品。让衣服、手套和头发远离运动部件。宽松衣服、佩饰或长发可能会卷入运动部件中。
- ▶ 如果提供了与排屑、集尘设备连接用的装置，要确保他们连接完好且使用得当。使用这些装置可减少尘屑引起的危险。

**电动工具使用和注意事项**

- ▶ 不要滥用电动工具，根据用途使用适当的电动工具。选用适当设计的电动工具会使你工作更有效、更安全。
- ▶ 如果开关不能接通或关断工具电源，则不能使用该电动工具。不能用开关来控制的电动工具是危险的且必须进行修理。
- ▶ 在进行任何调节、更换附件或贮存电动工具之前，必须从电源上拔掉插头和 / 或使电池盒与工具脱开。这种防护性措施将减少工具意外起动的危险。
- ▶ 将闲置不用的电动工具贮存在儿童所及范围之外，并且不要让不熟悉电动工具或对这些说明不了解的人操作电动工具。电动工具在未经培训的用户手中是危险的。
- ▶ 保养电动工具。检查运动件是否调整到位或卡住，检查零件破损情况和影响电动工具运行的其他状况。如有损坏，电动工具应在使用前修理好。许多事故由维护不良的电动工具引发。
- ▶ 保持切削刀具锋利和清洁。保养良好的有锋利切削刃的刀具不易卡住而且容易控制。
- ▶ 按照使用说明书，考虑作业条件和进行的作业来使用电动工具、附件和工具的刀头等。将电动工具用于那些与其用途不符的操作可能会导致危险。

**维修**

- ▶ 将你的电动工具送交专业维修人员，使用同样的备件进行修理。这样将确保所维修的电动工具的安全性。

**台式磨机安全提示**

- ▶ 不要使用损坏的磨具。在每次使用前要检查砂轮是否有碎片和裂缝。如果电动工具或磨具掉落了，要检查上述机件是否损坏了或安装没有损坏的磨具。检查和安装磨具后，自己和旁观者要远离旋转的磨具，并让电动工具以最大空载速度运行 1 分钟。损坏的磨具通常在该试验时间内会碎裂。
- ▶ 附件的额定速度必须至少等于电动工具上标出的最大速度。附件以比其额定速度大的速度运转会发生爆裂和飞溅。
- ▶ 切勿在砂轮的侧面进行打磨。在侧面打磨会使砂轮破裂并四散飞溅。



**请佩戴护目镜。**

- ▶ **妥善保存好不使用的电动工具和工具刀头。存放处必须保持干燥并且能过上锁。** 这样能够防止电动工具在储藏过程中受损，或避免不会操作机器的人使用它。
- ▶ **定期检查电线。损坏的电线只能交给博世电动工具授权的顾客服务处修理。更换损坏的延长电线。** 如此才能够确保电动工具的安全性能。
- ▶ **电动工具只能连接在已经正确地做好接地安全措施的电路上。** 插座和延长线必须配备功能正常的接地安全引线。
- ▶ **工作场所必须保持清洁。** 不同的工作尘经过混合后容易产生化学反应，十分危险。轻金属尘容易着火或引起爆炸。
- ▶ **保护磨具免受敲击，撞并且要让磨具远离油脂。**

## 代表符号

以下符号可以帮助您正确地使用本电动工具。请牢记各符号和它们的代表意思。正确了解各符号的代表意思，可以帮助您更有把握更安全地操作本电动工具。

### 符号和它们的代表意义



**电动工具运转时，手不可以靠近砂轮。**  
手如果接触了砂轮可能受伤。



**戴上护耳罩。** 噪音可能损害您的听力。



**请佩戴护目镜。**



**请佩戴防尘面具。**



**佩戴工作手套。**

## 产品和功率描述



**阅读所有的警告提示和指示。** 如未确实遵循警告提示和指示，可能导致电击，火灾并且 / 或其他的严重伤害。

### 按照规定使用机器

本电动工具适合磨利工具，进行研磨以及磨除金属的毛刺。

本电动工具只能短期运转（最长 60 分钟）。

### 插图上的机件

机件的编号和电动工具详解图上的编号一致。

- 1 盖子
- 2 夹紧螺母
- 3 固定法兰
- 4 接头法兰
- 5 主轴
- 6 防护罩
- 7 安装孔
- 8 起停开关
- 9 开口扳手 \*
- 10 火花挡块架
- 11 火花挡块
- 12 工件座

\* 图表或说明上提到的附件，并不包含在基本的供货范围中。  
本公司的附件清单中有完整的附件供应项目。

### 技术数据

双研磨机		GBG 35-15
物品代码		3 601 B7A 3..
额定输入功率 P1	瓦	350
输出功率 P2		
- 50 赫兹	瓦	240
- 60 赫兹	瓦	250
功能种类 *		S2 (60 分钟)
无负载转速		
- 50 赫兹	次 / 分	3000
- 60 赫兹	次 / 分	3600
主轴螺纹		M 12
砂轮		
- 直径	毫米	150
- 宽度	毫米	20
- 接头孔径	毫米	12.7 / 20
- 粒度		24 / 60

本说明书提供的参数是以 230 V 为依据，于低电压地区，此数据有可能不同。

\* 操作类型 S2 (60 分钟) 是指最大操作时间为 60 分钟的短期操作类型。到达上述操作时间后要摘下电动工具并让它冷却。

## 24 | 中文

双研磨机		GBG 35-15
固定法兰		
- 接头孔径	毫米	12.7
- 最小开口	毫米	1.5
重量符合 EPTA-		
Procedure 01:2014	公斤	10.0
绝缘等级		⊕ / I

本说明书提供的参数是以 230 V 为依据, 于低电压地区, 此数据有可能不同。  
\* 操作类型 S2 (60 分钟) 是指最大操作时间为 60 分钟的短期操作类型。到达上述操作时间后要搁下电动工具并让它冷却。

## 安装

▶ **维修电动工具或换装零、配件之前, 务必从插座上拔出插头。**

- 将电动工具用合适的螺栓固定到工作台 / 操作板上 4 个预设的孔 7 上。

### 安装火花挡块 / 工件座 (参考插图 A - D)

▶ **只能带着火花挡块 11 使用本电动工具, 并尽可能将其向下翻转。** 溅出的火花可能伤害眼睛或点燃周围的物品。

▶ **只能带着工件座使用本电动工具。不要混淆左右侧工件座 12。** 否则工件座 12 与砂轮之间的间距过大。间距过大时, 无法充分防止您被火花溅到。工件可能因砂轮的旋转运动被拉入, 并导致伤害。

- 使用两个螺丝固定好火花挡块架 10。
- 透过螺丝把火花挡块 11 安装在火花挡块架 10 上。
- 参考插图安装工件座 12。

▶ **定期检查工件座 12 或火花挡块架 10 与砂轮之间的距离, 必要时得适度调整此距离。上述机件和砂轮之间的距离不可以大过 2 毫米。** 如果距离过大则无法为您抵挡喷溅的火花。工件可能被卷入旋转的砂轮中并使您受伤。

### 更换砂轮

▶ **维修电动工具或换装零、配件之前, 务必从插座上拔出插头。**

▶ **附件的额定速度必须至少等于电动工具上标出的最大速度。** 附件以比其额定速度大的速度运转会发生爆裂和飞溅。

▶ **不允许使用直径超出电动工具上数据的砂轮。**

如果火花挡块架 10 和砂轮之间的距离, 无法调整在规定的 2 毫米之内, 则要更换砂轮。

- 松开盖板 1 上的 3 个螺栓, 取下盖板 1。将砂轮 5 用开口扳手 9 固定, 然后将锁紧螺母 2 从磨削主轴 5 上旋下。

**指示:** 突出在电动工具左侧的主轴 5 是左螺纹。

- 拿下固定法兰 3 和砂轮, 上述机件位在主轴 5 上。

- 以反步骤安装新的砂轮。再度装上盖子 1 并用力将它压紧, 接着使用 3 个螺丝固定好盖子。

▶ **只能带着安装在两个主轴上的切削附件使用本电动工具。** 这样可避免接触到旋转的主轴。

继续使用旧的且不均匀的砂轮之前, 先使用磨石 (附件) 修补砂轮。

### 吸锯尘 / 吸锯屑

▶ 含铅的颜料以及某些木材、矿物和金属的加工废尘有害健康。机器操作者或者工地附近的人如果接触、吸入这些废尘, 可能会有过敏反应或者感染呼吸道疾病。

某些尘埃 (例如加工橡木或山毛榉的废尘) 可能致癌, 特别是和处理木材的添加剂 (例如木材的防腐剂等) 结合之后。只有经过专业培训的人才能够加工含石棉的物料。

- 工作场所要保持空气流通。
- 最好佩戴 P2 滤网等级的口罩。

请留心并遵守贵国和加工物料有关的法规。

▶ **避免让工作场所堆积过多的尘垢。** 尘埃容易被点燃。

## 操作

### 操作机器

▶ **注意电源的电压! 电源的电压必须和电动工具铭牌上标示的电压一致。**

▶ **开机前, 先检查是否已经正确地安装好磨具, 观察磨具转动时会不会产生摩擦, 并且要进行至少 1 分钟的最高转速无负载试机。切勿使用损坏, 变形或转动时会震动的磨具。** 损坏的磨具可能断裂并造成伤害。

### 开动 / 关闭

为了节约能源, 只在当您使用机器时, 才开动电动工具。

- **开动** 电动工具时, 必须按下起停开关 8 上的 "I" 端。
- **关闭** 电动工具时, 必须按下起停开关 8 上的 "O" 端。

### 有关操作方式的指点

▶ **穿好工作围裙。勿让火花伤害任何人。清除工作地点附近的易燃物体。** 研磨金属时会产生火花。

▶ **手不可以触摸电动工具上的转动砂轮。** 这样可能造成严重的伤害。

▶ **先开动电动工具然后再把工件放在电动工具上。先提起工件之后才可以关闭电动工具。** 工件可能突然移动。

加工硬金属工件时要使用碳化硅 - 砂轮 C (附件)。



保护磨具免受敲，撞并且要让磨具远离油脂。

- 把待研磨的工件放在工件座 **12** 上，并将工件轻压在砂轮上。为了达到最佳的研磨效果，要轻轻地上下移动工件。这样子也能够均匀地磨耗砂轮。
- 要不时地在水中冷却工件。

### 搬运

- 拆除所有无法被固定在电动工具上的附件。
- 完全收起电源线并将其扎起来。
- 抬起或运输时，从下面在两个防护罩 **6** 位置握住电动工具。在孔的范围内装配 **7** 时，电动工具可为您提供支持。

► **运输电动工具时，切勿使用火花挡块 11 或工件座 12。**

## 维修和服务

### 维修和清洁

- **维修电动工具或换装零、配件之前，务必从插座上拔出插头。**
- **电动工具和通风间隙都必须保持清洁，这样才能提高工作品质 and 安全性。**

如果必须更换连接线，务必把这项工作交给博世或者经授权的博世电动工具顾客服务执行，以避免危害机器的安全性能。

### 顾客服务处和顾客咨询中心

本公司顾客服务处负责回答有关本公司产品的修理，维护和备件的问题。以下的网页中有爆炸图和备件的资料：

[www.bosch-pt.com](http://www.bosch-pt.com)

博世顾客咨询团队非常乐意为您解答有关本公司产品及附件的问题。

如需查询和订购备件，请务必提供产品型号铭牌上的 10 位数货号。

### 产品中有毒物质的名称及含量

部件名称	有害物质					
	铅 (Pb)	汞 (Hg)	镉 (Cd)	六价铬 (Cr(VI))	多溴联苯 (PBB)	多溴二苯醚 (PBDE)
外壳的金属部分	0	0	0	0	0	0
外壳的非金属部分	0	0	0	0	0	0
机械传动机构	X	0	0	0	0	0
电机组件	X	0	0	0	0	0
控制组件	X	0	0	0	0	0
附件	0	0	0	0	0	0
配件	0	0	0	0	0	0
连接件	X	0	0	0	0	0
电源线 * ①	0	0	0	0	0	0
电池系统 * ②	X	0	0	0	0	0

有关保证，维修或更换零件事宜，请向合格的经销商查询。

### 中国大陆

博世电动工具（中国）有限公司  
中国 浙江省 杭州市  
滨江区滨康路 567 号  
邮政编码：310052  
免费服务热线：4008268484  
传真：(0571) 87774502  
电邮：contact.ptcn@cn.bosch.com  
www.bosch-pt.com.cn

羅伯特·博世有限公司  
香港北角英皇道 625 號 21 樓  
客戶服務熱線：+852 2101 0235  
傳真：+852 2590 9762  
電郵：info@hk.bosch.com  
網站：www.bosch-pt.com.hk

### 制造商地址：

Robert Bosch Power Tools GmbH  
罗伯特·博世电动工具有限公司  
70538 Stuttgart / GERMANY  
70538 斯图加特 / 德国

### 处理废弃物

必须以符合环保的方式，回收再利用损坏的机器、附件和废弃的包装材料。



不可以把电动工具丢入家庭垃圾中！

保留修改权。

## 26 | 中文

本表格依据 SJ/T11364 的规定编制。

O: 表示该有害物质在该部件所有均质材料中的含量均在 GB/T 26572 规定的限量要求以下。

X: 表示该有害物质至少在该部件的某一均质材料中的含量超出 GB/T 26572 规定的限量要求。

且目前业界没有成熟的替代方案，符合欧盟 RoHS 指令环保要求。

\* ①适用于采用电源线连接供电的产品。

\* ②适用于采用充电电池供电的产品。

产品环保使用期限内的使用条件参见产品说明书。

## 中文

### 安全規章

#### 電動工具通用安全警告，

**⚠ 警告** 請詳讀電動工具隨附的所有安全警告、指示、插圖以及規格等資料。若不遵照以下列出的指示，將可能導致電擊、著火和/或人員重傷。

請妥善留存所有警告及使用說明資料，以待備查。

在所有警告中，「電動工具」此一名詞泛指：以市電驅動的（有線）電動工具或是以電池驅動的（無線）電動工具。

**⚠ 警告** 使用電動工具時，為了避免操作者遭受電擊，避免操作者受傷和防止火災，務必遵循以下的基本安全措施。

操作本電動工具以前，先閱讀所有的指示並且要好好保存這些安全規章。

#### 工作場地的安全

- ▶ 保持工作場地清潔和明亮。混亂和黑暗的場地會引發事故。
- ▶ 不要在易爆環境，如有易燃液體、氣體或粉塵的環境下操作電動工具。電動工具產生的火花會點燃粉塵或氣體。
- ▶ 讓兒童和旁觀者離開後操作電動工具。注意力不集中會使你失去對工具的控制。

#### 電氣安全

- ▶ 電動工具插頭必須與插座相配。絕不能以任何方式改裝插頭。需接地的電動工具不能使用任何轉換插頭。未經改裝的插頭和相配的插座將減少電擊危險。
- ▶ 避免人體接觸接地表面，如管道、散熱片和冰箱。如果你身體接地會增加電擊危險。
- ▶ 不得將電動工具暴露在雨中或潮濕環境中。水進入電動工具將增加電擊危險。
- ▶ 不得濫用電線。絕不能用電線搬運、拉動電動工具或拔出其插頭。使電線遠離熱源、油、銳邊或運動部件。受損或纏繞的軟線會增加電擊危險。

- ▶ 當在戶外使用電動工具時，使用適合戶外使用的外接軟線。適合戶外使用的軟線，將減少電擊危險。
- ▶ 如果在潮濕環境下操作電動工具是不可避免的，應使用剩餘電流動作保護器（RCD）。使用 RCD 可減少電擊危險。

#### 人身安全

- ▶ 保持警覺，當操作電動工具時關注所從事的操作並保持清醒。當你感到疲倦，或在有藥物、酒精或治療反應時，不要操作電動工具。在操作電動工具時瞬間的疏忽會導致嚴重人身傷害。
- ▶ 使用個人防護裝置。始終佩戴護目鏡。安全裝置，諸如適當條件下使用防塵面具、防滑安全鞋、安全帽、聽力防護等裝置能減少人身傷害。
- ▶ 防止意外起動。確保開關在連接電源和/或電池盒、拿起或搬運工具時處於關斷位置。手指放在已接通電源的開關上或開關處於接通時插入插頭可能會導致危險。
- ▶ 在電動工具接通之前，拿掉所有調節鑰匙或扳手。遺留在電動工具旋轉零件上的扳手或鑰匙會導致人身傷害。
- ▶ 手不要伸展得太長。時刻注意立足點和身體平衡。這樣在意外情況下能很好地控制電動工具。
- ▶ 著裝適當。不要穿寬鬆衣服或佩戴飾品。讓你的衣物及頭髮遠離運動部件。寬鬆衣服、佩飾或長髮可能會捲入運動部件中。
- ▶ 如果提供了與排屑、集塵設備連接用的裝置，要確保他們連接完好且使用得當。使用這些裝置可減少塵屑引起的危險。
- ▶ 切勿因經常使用工具所累積的熟練感而過度自信，輕忽工具的安全守則。任何一個魯莽的舉動都可能瞬間造成人員重傷。

#### 電動工具使用和注意事項

- ▶ 不要濫用電動工具，根據用途使用適當的電動工具。選用適當設計的電動工具會使你工作更有效、更安全。
- ▶ 如果開關不能接通或關斷工具電源，則不能使用該電動工具。不能用開關來控制的電動工具是危險的且必須進行修理。

- ▶ 在進行任何調整、更換配件或貯存電動工具之前，必須從電源上拔掉插頭並 / 或取出電池盒。這種防護性措施將減少工具意外起動的危險。
- ▶ 將閒置不用的電動工具貯存在兒童所及範圍之外，並且不要讓不熟悉電動工具或對這些說明不瞭解的人操作電動工具。電動工具在未經培訓的用戶手中是危險的。
- ▶ 保養電動工具與配備。檢查運動件是否調整到位或卡住，檢查零件破損情況和影響電動工具運行的其他狀況。如有損壞，電動工具應在使用前修理好。許多事故由維護不良的電動工具引發。
- ▶ 保持切削刀具鋒利和清潔。保養良好的有鋒利切削刃的刀具不易卡住而且容易控制。
- ▶ 按照使用說明書，考慮作業條件和進行的作業來使用電動工具、配件和工具的刀頭等。將電動工具用於那些與其用途不符的操作可能會導致危險。
- ▶ 把手及握持區應保持乾燥、潔淨，且不得沾染任何油液或油脂。易滑脫的把手及握持區將無法讓您在發生意外狀況時安全地抓緊並控制工具。

#### 檢修

- ▶ 將你的電動工具送交專業維修人員，必須使用同樣的備件進行更換。這樣將確保所維修的電動工具的安全性。

#### 座式砂輪機安全注意事項

- ▶ 不要使用損壞的磨具。在每次使用前要檢查砂輪是否有碎片和裂縫。如果電動工具或磨具掉落了，要檢查上述機件是否損壞了或安裝沒有損壞的磨具。檢查和安裝磨具後，自己和旁觀者要遠離旋轉的磨具，並讓電動工具以最大空載速度運行 1 分鐘。損壞的磨具通常在該試驗時間內會碎裂。
- ▶ 附件的額定速度必須至少等於電動工具上標出的最大速度。附件以比其額定速度大的速度運轉會發生爆裂和飛濺。
- ▶ 絕對不可以用切割砂輪片的側面來進行研磨。以側面進行研磨可能會使砂輪片爆裂而四處飛射。

請佩戴護目鏡。



- ▶ 妥善保存不使用的電動工具和配件工具。存放處必須保持乾燥並且可以上鎖。這樣能夠防止電動工具在儲藏過程中受損，或避免不會操作機器的人使用它。
- ▶ 定期檢查電線。損壞的電線只能交給博世電動工具授權的顧客服務處修理。更換損壞的延長電線。如此才能夠確保電動工具的安全性。

- ▶ 電動工具只能連接在已經正確地做好接地安全措施的電源上。插座和延長線必須配備功能正常的接地安全引線。
- ▶ 工作場所必須保持清潔。不同的工作塵經過混合後容易產生化學反應，十分危險。輕金屬塵容易著火或引起爆炸。
- ▶ 保護磨具免受敲，撞並且要讓磨具遠離油脂。

## 代表符號

以下符號可以幫助您正確地使用本電動工具。請牢記各符號和它們的代表意思。正確了解各符號的代表意思，可以幫助您更有把握更安全地操作本電動工具。

#### 符號和它們的代表意義



電動工具運轉時，手不可以靠近砂輪。手如果接觸了砂輪可能受傷。



戴上護耳罩。噪音可能損害您的聽力。



請佩戴護目鏡。



請佩戴防塵面具。



佩戴工作手套。

## 產品和功率描述



閱讀所有的警告提示和指示。如未確實遵循警告提示和指示，可能導致電擊、火災並且 / 或其他的嚴重傷害。

#### 按照規定使用機器

本電動工具適合磨利工具，進行研磨以及磨除金屬的毛刺。

本電動工具只能短期運轉（最長 60 分鐘）。

## 28 | 中文

## 插圖上的機件

機件的編號和電動工具詳解圖上的編號一致。

- 1 蓋子
- 2 夾緊螺母
- 3 固定法蘭
- 4 接頭法蘭
- 5 主軸
- 6 防護罩
- 7 安裝孔
- 8 起停開關
- 9 開口扳手 \*
- 10 火花擋塊架
- 11 火花擋塊
- 12 工件座

\*圖表或說明上提到的附件，並不包含在基本的供貨範圍中。  
本公司的附件清單中有完整的附件供應項目。

## 技術性數據

雙研磨機		GBG 35-15	
物品代碼		3 601 B7A 3..	
額定輸入功率 P1	瓦	350	
輸出功率 P2			
- 50 赫茲	瓦	240	
- 60 赫茲	瓦	250	
功能種類 *		S2 (60 分鐘)	
無負載轉速			
- 50 赫茲	次 / 分	3000	
- 60 赫茲	次 / 分	3600	
主軸螺紋		M 12	
砂輪			
- 直徑	毫米	150	
- 寬度	毫米	20	
- 接頭孔徑	毫米	12.7 / 20	
- 粒度		24 / 60	
固定法蘭			
- 接頭孔徑	毫米	12.7	
- 最小開槽	毫米	1.5	
重量符合 EPTA-Procedure			
01:2014	公斤	10.0	
絕緣等級		⊕ / I	

本說明書提供的參數是以 230 伏特為依據，於低電壓地區，此數據有可能不同。

\* 操作類型 S2 (60 分鐘) 是指最大操作時間為 60 分鐘的短期操作類型。到達上述操作時間後要擱下電動工具並讓它冷卻。

## 安裝

▶ **維修電動工具或換裝零、配件之前，務必從插座上拔出插頭。**

- 請在電動工具上的 4 個安裝孔位 7 鎖上合適的螺絲，以便將電動工具固定到工作桌 / 工作檯上。

## 安裝火花擋塊 / 工件座 (參考插圖 A - D)

▶ **電動工具必須加裝防噴濺護板 11 後才能開始使用，請儘量將它向下移。** 飛濺出來的火花可能導致您的眼睛受傷或使附近的物品著火。

▶ **電動工具必須加裝工件托架後才能開始使用。右側及左側的工件托架 12 不可混淆。** 工件托架 12 與砂輪片之間的距離通常會太大。間距太大時就無法獲得充分的防護，此時您可能會被火花波及。砂輪片的旋轉動作可能將工件捲入機器內，而導致人員受傷。

- 使用兩個螺絲固定好火花擋塊架 10。
- 透過螺絲把火花擋塊 11 安裝在火花擋塊架 10 上。
- 參考插圖安裝工件座 12。

▶ **定期檢查工件座 12 或火花擋塊架 10 與砂輪之間的距離，必要時得適度調整此距離。** 上述機件和砂輪之間的距離不可以大過 2 毫米。如果距離過大則無法為您抵擋噴濺的火花。工件可能被卷入旋轉的砂輪中並使您受傷。

## 更換砂輪

▶ **維修電動工具或換裝零、配件之前，務必從插座上拔出插頭。**

▶ **附件的額定速度必須至少等於電動工具上標出的最大速度。** 附件以比其額定速度大的速度運轉會發生爆裂和飛濺。

▶ **所使用的砂輪片直徑不得超過此電動工具上的標示。**

如果火花擋塊架 10 和砂輪之間的距離，無法調整在規定的 2 毫米之內，則要更換砂輪。

- 請先鬆開護蓋 1 上的 3 顆螺絲，然後取下護蓋 1。請用開口扳手 9 將磨削主軸 5 牢牢固定，然後將迫緊螺母 2 從磨削主軸 5 旋下。

**指示：** 突出在電動工具左側的主軸 5 是左螺紋。

- 拿下固定法蘭 3 和砂輪，上述機件位在主軸 5 上。
- 以反步驟安裝新的砂輪。再度裝上蓋子 1 並用力將它壓緊，接著使用 3 個螺絲固定好蓋子。

▶ **兩支主軸必須都裝上嵌件工具後，才能使用電動工具。** 這樣的做法可避免觸及旋轉中的主軸。

繼續使用舊的且不均勻的砂輪之前，先使用磨石 (附件) 修補砂輪。

## 吸鋸塵 / 吸鋸屑

- ▶ 含鉛的顏料以及某些木材、礦物和金屬的加工廢塵有害健康。機器操作者或者工地附近的人如果接觸、吸入這些廢塵，可能會有過敏反應或者感染呼吸道疾病。某些塵埃（例如加工橡木或山毛櫸的廢塵）可能致癌，特別是和處理木材的添加劑（例如木材的防腐劑等）結合之後。只有經過專業訓練的人才能夠加工含石棉的物料。
  - 工作場所要保持空氣流通。
  - 最好佩戴 P2 濾網等級的口罩。

請留心並遵守貴國和加工物料有關的法規。

- ▶ 避免讓工作場所堆積過多的塵垢。塵埃容易被點燃。

## 操作

### 操作機器

- ▶ 注意電源的電壓！電源的電壓必須和電動工具銘牌上標示的電壓一致。
- ▶ 開機前，先檢查是否已經正確地安裝好磨具，觀察磨具轉動時會不會產生磨擦，並且要進行至少 1 分鐘的最高轉速無負載試機。切勿使用損壞、變形或轉動時會震動的磨具。損壞的磨具可能斷裂並造成傷害。

### 開動 / 關閉

為了節約能源，只在當您要使用機器時，才開動電動工具。

- 開動 電動工具時，必須按下起停開關 8 上的 "I" 端。
- 關閉 電動工具時，必須按下起停開關 8 上的 "O" 端。

### 有關操作方式的指點

- ▶ 穿好工作圍裙。勿讓火花傷害任何人。清除工作地點附近的易燃物體。研磨金屬時會產生火花。
- ▶ 手不可以觸摸電動工具上的轉動砂輪。這樣可能造成嚴重的傷害。
- ▶ 先開動電動工具然後再把工件放在電動工具上。先提起工件之後才可以關閉電動工具。工件可能突然移動。

加工硬金屬工件時要使用碳化硅 - 砂輪 C（附件）。

保護磨具免受敲，撞並且要讓磨具遠離油脂。

- 把待研磨的工件放在工件座 12 上，並將工件輕輕壓在砂輪上。為了達到最佳的研磨效果，要輕輕地上下移動工件。這樣子也能夠均勻地磨耗砂輪。
- 要不時地在水中冷卻工件。

## 搬運

- 拆除所有無法被固定在電動工具上的附件。
- 將電源線整條收起來，然後將它綁好。
- 若要抬起或載運本電動工具，請從底部將手握在兩個防護罩 6 上。您可以從安裝孔位 7 附近的位置支撐電動工具。
- ▶ 載運時，電動工具請勿裝上防噴濺護板 11 或工件托架 12。

## 維修和服務

### 維修和清潔

- ▶ 維修電動工具或換裝零、配件之前，務必從插座上拔出插頭。
- ▶ 電動工具和通風間隙都必須保持清潔，這樣才能夠提高工作品質和安全性。

如果必須更換連接線，務必把這項工作交給博世或者經授權的博世電動工具顧客服務執行，以避免危害機器的安全性能。

### 顧客服務處和顧客諮詢中心

本公司顧客服務處負責回答有關本公司產品的修理、維護和備件的問題。以下的網頁中有爆炸圖和備件的資料：

[www.bosch-pt.com](http://www.bosch-pt.com)

博世顧客諮詢團隊非常樂意為您解答有關本公司產品及附件的問題。

當您需要諮詢或訂購備用零組件時，請務必提供本產品型號銘牌上的 10 位項目編號。

### 台灣

台灣羅伯特博世股份有限公司

建國北路一段 90 號 6 樓

台北市 10491

電話：(02) 2515 5388

傳真：(02) 2516 1176

[www.bosch-pt.com.tw](http://www.bosch-pt.com.tw)

### 制造商地址：

Robert Bosch Power Tools GmbH

羅伯特·博世電動工具有限公司

70538 Stuttgart / GERMANY

70538 斯圖加特 / 德國

### 處理廢棄物

必須以符合環保的方式，回收再利用損壞的機器、附件和廢棄的包裝材料。



不可以把電動工具丟入家庭垃圾中。

### 保留修改權。

## ภาษาไทย

### กฎระเบียบเพื่อความปลอดภัย

#### คำเตือนทั่วไปเพื่อความปลอดภัยในการใช้เครื่องมือไฟฟ้า

**!** คำเตือน อ่านคำเตือนเพื่อความปลอดภัย คำแนะนำ ภาพประกอบ และข้อมูลจำเพาะทั้งหมดที่จัดส่งมาพร้อมกับเครื่องมือไฟฟ้านี้ การไม่ปฏิบัติตามคำแนะนำทั้งหมดที่ระบุไว้ด้านล่างนี้อาจทำให้ถูกไฟฟ้าดูด เกิดไฟไหม้ และ/หรือได้รับบาดเจ็บอย่างร้ายแรง เก็บรักษาคำเตือนและคำแนะนำทั้งหมดไว้เป็นข้อมูลอ้างอิงในภายหลัง

คำว่า "เครื่องมือไฟฟ้า" ในคำเตือนหมายถึง เครื่องมือไฟฟ้าของท่านที่ทำงานผ่านแหล่งจ่ายไฟฟ้าหลัก (มีสายไฟฟ้า) หรือเครื่องมือไฟฟ้าที่ทำงานผ่านแบตเตอรี่ (ไร้สาย)

**!** คำเตือน เพื่อป้องกันอันตรายจากไฟไหม้ ไฟดูด และการบาดเจ็บ เมื่อใช้เครื่องมือ

ไฟฟ้า ต้องปฏิบัติตามมาตรฐานด้านความปลอดภัยพื้นฐานต่อไปนี้เสมอ ต้องอ่านคำสั่งทั้งหมดก่อนใช้งานผลิตภัณฑ์ และเก็บรักษาคำแนะนำเพื่อความปลอดภัยนี้ไว้ให้ดี

#### ความปลอดภัยในสถานที่ทำงาน

- ▶ รักษาสถานที่ทำงานให้สะอาดและมีไฟส่องสว่างดี สถานที่ที่มีมืดหรือรกรุงรังนำมาซึ่งอุบัติเหตุ
- ▶ อย่าใช้เครื่องมือไฟฟ้าในสภาพแวดล้อมที่เสียงต่อการคิดระเบิดได้ เช่น ในที่มีมีของเหลว แก๊ส หรือฝุ่นที่ติดไฟได้ เมื่อใช้เครื่องมือไฟฟ้าจะเกิดประกายไฟซึ่งอาจจุดฝุ่นหรือไอให้ลุกเป็นไฟได้
- ▶ ขณะใช้เครื่องมือไฟฟ้าทำงาน ต้องก้มหน้าและดูผู้ยืนดูให้ออกห่าง การหันเหความสนใจอาจทำให้ท่านขาดการควบคุมเครื่องได้

#### ความปลอดภัยเกี่ยวกับไฟฟ้า

- ▶ ปลั๊กของเครื่องมือไฟฟ้าต้องมีขนาดพอดีกับเต้าเสียบ อย่าตัดแปลงหรือแก้ไขตัวปลั๊กอย่างเด็ดขาด อย่าต่อปลั๊กต่อกัน เข้ากับเครื่องมือไฟฟ้าที่มีสายดิน ปลั๊กที่ไม่ตัดแปลงและเต้าเสียบที่เข้ากันช่วยลดความเสี่ยงจากการถูกไฟฟ้าดูด
- ▶ หลีกเลี่ยงไม่ให้ร่างกายสัมผัสกับพื้นผิวของสิ่งของที่อยู่ติดกับสายดินไว้ เช่น ห่อ เครื่องทำความร้อน เต้า และตู้เย็น สายเสียบอันตรายจากการถูกไฟฟ้าดูดมากขึ้นหากกระแสไฟฟ้าวิ่งผ่านร่างกายของท่านลงดิน
- ▶ อย่าวางเครื่องมือไฟฟ้าคาบฝืนหรือทิ้งไว้ในที่ชื้นแฉะ หากน้ำเข้าในเครื่องมือไฟฟ้า จะเพิ่มความเสี่ยงจากการถูกไฟฟ้าดูด
- ▶ อย่าใช้สายไฟฟ้าอย่างผิดๆ อย่าถือเครื่องมือไฟฟ้าที่สาย อย่าใช้สายเครื่อง หรืออย่าดึงสายไฟฟ้าเพื่อถอดปลั๊กออกจากเต้าเสียบ กันสายไฟฟ้าออกจากความร้อน น้ำมัน ขอบแหลมคม หรือส่วนของเครื่องที่กำลังเคลื่อนไหว สายไฟฟ้าที่ชำรุดหรือพันกันยังเพิ่มความเสี่ยงจากการถูกไฟฟ้าดูด

- ▶ เมื่อใช้เครื่องมือไฟฟ้าทำงานกลางแจ้ง ให้ใช้สายไฟต่อที่ได้รับการรับรองให้ใช้ต่อในที่กลางแจ้งเท่านั้น การใช้สายไฟต่อที่เหมาะสมสำหรับงานกลางแจ้งช่วยลดอันตรายจากการถูกไฟฟ้าดูด
- ▶ หากไม่สามารถหลีกเลี่ยงการใช้เครื่องมือไฟฟ้าทำงานในสถานที่เปียกชื้นได้ ให้ใช้วิธีที่ควรพิจารณาเมื่อเกิดการรั่วไหลของไฟฟ้าจากสายดิน การใช้วิธีที่ตัดวงจรเมื่อเกิดการรั่วไหลของไฟฟ้าจากสายดินช่วยลดความเสี่ยงต่อการถูกไฟฟ้าดูด

#### ความปลอดภัยของบุคคล

- ▶ ท่านต้องอยู่ในสภาพเตรียมพร้อม ระวังระวังในสิ่งที่กำลังทำอยู่ และมีสติขณะใช้เครื่องมือไฟฟ้าทำงาน อย่าใช้เครื่องมือไฟฟ้าขณะท่านกำลังเหนื่อย หรืออยู่ภายใต้การครอบงำของฤทธิ์ของยาเสพติด แอลกอฮอล์ และยา เมื่อใช้เครื่องมือไฟฟ้าทำงาน ในชั่วนาทีที่ท่านขาดความเอาใจใส่อาจทำให้บุคคลบาดเจ็บอย่างรุนแรงได้
- ▶ ใช้อุปกรณ์ปกป้องร่างกาย สวมแว่นตาป้องกันเสมอ อุปกรณ์ปกป้อง เช่น หน้ากากกันฝุ่น รองเท้ากันลื่น หมวกแข็ง หรือประภคพนักกันเสียงดัง ที่เลือกใช้ตามความเหมาะสมกับสภาพการทำงาน สามารถลดอันตรายต่อบุคคลได้
- ▶ ป้องกันการคิดเครื่องโดยไม่ตั้งใจ ต้องดูให้แน่ใจว่าสวิทช์อยู่ในตำแหน่งปิดก่อนเสียบปลั๊กไฟเข้าในเต้าเสียบ และ/หรือใส่แบตเตอรี่แพ็ค ยกขึ้นหรือถือเครื่องมือ การถือเครื่องโดยใช้นิ้วหัวที่สวิทช์ หรือเสียบปลั๊กไฟฟ้าขณะสวิทช์เปิดอยู่ อาจนำไปสู่อุบัติเหตุที่ร้ายแรงได้
- ▶ เอาเครื่องมือปรับแต่งหรือประแจจากตายนอกจากเครื่องมือไฟฟ้าก่อนเปิดสวิทช์ เครื่องมือหรือประแจจากตายนี้อาจอยู่กับส่วนของเครื่องที่กำลังหมุนจะทำให้บุคคลบาดเจ็บได้
- ▶ หลีกเลี่ยงการดึงท่าที่ผิดปกติ ตั้งท้ายที่นั่งคนและวางน้ำหนักให้สมดุลตลอดเวลา ในลักษณะนี้ท่านสามารถควบคุมเครื่องมือไฟฟ้าในสถานการณ์ที่ไม่คาดคิดได้ดีกว่า
- ▶ แต่งกายให้เหมาะสมอย่าใส่เสื้อผ้าหลวมหรือสวมเครื่องประดับอย่างหมวก เสื้อผ้าหลวม เครื่องประดับ และผมยาวอาจเข้าไปติดในส่วนของเครื่องที่กำลังหมุนได้
- ▶ หากต้องต่อเครื่องมือไฟฟ้าเข้ากับเครื่องดูดฝุ่นหรือเครื่องเก็บผง ดูให้แน่ใจว่าการเชื่อมต่อและการใช้งานเป็นไปอย่างถูกต้อง การใช้อุปกรณ์ดูดฝุ่นช่วยลดอันตรายที่เกิดจากฝุ่นได้
- ▶ เมื่อใช้งานเครื่องบ่อยครั้งจะเกิดความคุ้นเคย อย่านำความคุ้นเคยทำให้ท่านเกิดความชะล่าใจและละเลยกฎเกณฑ์ด้านความปลอดภัยในการใช้งานเครื่องทำงานอย่างไม่มีมาตรการระวังอาจทำให้เกิดการบาดเจ็บอย่างร้ายแรงภายในเสี้ยววินาที

#### การใช้และการดูแลรักษาเครื่องมือไฟฟ้า

- ▶ อย่าใช้เครื่องมือไฟฟ้าอย่างหักโหม ใช้เครื่องมือไฟฟ้าที่ถูกต้องตรงตามลักษณะงาน เครื่องมือไฟฟ้าที่ถูกต้องจะทำงานได้ดีกว่าและปลอดภัยกว่าในระดับสมรรถภาพที่ออกแบบไว้

- ▶ **อย่าใช้เครื่องมือไฟฟ้าที่สวิตช์เปิดปิดเสีย** เครื่องมือไฟฟ้าที่ไม่สามารถควบคุมการเปิดปิดด้วยสวิตช์ได้ เป็นเครื่องมือไฟฟ้าที่ไม่ปลอดภัยและต้องถอดออก
- ▶ **ก่อนปรับแต่งเครื่อง เปลี่ยนอุปกรณ์ประกอบ หรือเก็บเครื่องเข้าที่ ต้องถอดปลั๊กไฟออกจากเต้าเสียบ และ/หรือนำแบตเตอรี่แห้งที่ถอดได้ออกจากเครื่องมือไฟฟ้า** มาตรการป้องกันเพื่อความปลอดภัยนี้ช่วยลดความเสี่ยงจากการติดเครื่องโดยไม่ได้ตั้งใจ
- ▶ **เมื่อเลิกใช้งานเครื่องมือไฟฟ้า ให้เก็บเครื่องมือในที่เด็กหยิบบไม่ถึง และไม่อนุญาตให้บุคคลที่ไม่คุ้นเคยกับเครื่องมือบุคคลที่ไม่ได้อ่านคำแนะนำนำใช้เครื่องมือไฟฟ้ามาเป็นของอันตรายหากตกอยู่ในมือของผู้ใช้ที่ไม่ได้รับการฝึกฝน**
- ▶ **ดูแลรักษาเครื่องมือไฟฟ้าและอุปกรณ์ประกอบตรวจสอบชิ้นส่วนที่เคลื่อนไหวได้ว่าบิดเบี้ยวหรือติดขัดหรือไม่ ตรวจสอบการแตกหักของชิ้นส่วนและสภาพอินไดที่อาจส่งผลกระทบต่อการทำงานของเครื่องมือไฟฟ้า หากชำรุดต้องส่งเครื่องมือไฟฟ้าไปซ่อมแซมก่อนใช้งาน** อุบัติเหตุหลายอย่างเกิดขึ้นเนื่องจากดูแลรักษาเครื่องมือไม่ดีพอ
- ▶ **รักษาเครื่องมือตัดให้คมและสะอาด** หากบำรุงรักษาเครื่องมือที่มีขอบตัดแหลมคมอย่างถูกต้อง จะสามารถตัดได้ลื่นไม่ติดขัดและควบคุมได้ง่ายกว่า
- ▶ **ใช้เครื่องมือไฟฟ้า อุปกรณ์ประกอบ เครื่องมือ และอุปกรณ์อื่นๆ ให้ตรงตามคำแนะนำ และในลักษณะตามที่เครื่องมือไฟฟ้าประเภทนั้นๆ กำหนดไว้** โดยต้องคำนึงถึงเงื่อนไขการทำงานและงานที่จะทำได้ การใช้เครื่องมือไฟฟ้าทำงานที่ต่างไปจากวัตถุประสงค์การใช้งานของเครื่อง อาจนำไปสู่สถานการณ์ที่เป็นอันตรายได้
- ▶ **ดูแลตัวจับและพื้นผิวจับให้แห้ง สะอาด และปราศจากความชื้นและจาระบี** ตามจับและพื้นผิวจับที่ลื่นทำให้หยิบจับได้ไม่ปลอดภัย และไม่สามารถควบคุมเครื่องมือในสถานการณ์ที่ไม่คาดคิด

#### การบริการ

- ▶ **ส่งเครื่องมือไฟฟ้าให้ช่างผู้เชี่ยวชาญตรวจสอบและใช้อะไหล่เปลี่ยนของแท้เท่านั้น** ในลักษณะนี้ท่านจะแน่ใจได้ว่าเครื่องมือไฟฟ้าอยู่ในสภาพที่ปลอดภัย

#### คำแนะนำเพื่อความปลอดภัยสำหรับเครื่องเจียรในแบบตั้งโต๊ะ

- ▶ **อย่าใช้อุปกรณ์ประกอบที่ชำรุด** ก่อนใช้งานทุกครั้ง ให้ตรวจสอบล้อหินเจียรในเพื่อหารอยบิ่นและรอยแตกร้าว หากเครื่องมือไฟฟ้าหรือเครื่องมือตกพื้น ให้ตรวจสอบความเสียหายหรือประกอบเครื่องมือที่ไม่ชำรุดเข้า เมื่อตรวจสอบและใส่เครื่องมือเสร็จแล้วตัวท่านเองและตัวบุคคลที่อยู่ใกล้เคียงต้องออกห่างจากแนวระดับเครื่องมือที่หมุน และเปิดเครื่องมือไฟฟ้าเดินตัวเปล่าด้วยความเร็วรอบสูงสุดนาน 1 นาที ตามปกติเครื่องมือที่ชำรุดจะแตกออกเป็นชิ้นๆ ในช่วงเวลาทดสอบนี้
- ▶ **ความเร็วรอบกำหนดของอุปกรณ์ประกอบอย่างน้อยที่สุดต้องสูงเท่ากับความเร็วรอบกำหนดสูงสุดที่ระบุไว้บนเครื่องมือไฟฟ้า** อุปกรณ์ประกอบที่หมุนเร็วกว่าความเร็วรอบกำหนดของตัวเองอาจกระเด็นออกเป็นชิ้นๆ

- ▶ **อย่าทำการเจียรในบนพื้นผิวด้านข้างของล้อหินเจียรในอย่างเด็ดขาด** เมื่อเจียรในบนพื้นผิวด้านข้างล้อหินเจียรในอาจแตกกระจายและปลิวว่อน



#### สวมแว่นตาป้องกันอันตราย

- ▶ **เมื่อไม่ได้ใช้งานให้จัดเก็บเครื่องมือไฟฟ้าและอุปกรณ์ประกอบไว้อย่างปลอดภัยสถานที่เก็บรักษาต้องแห้งและปิดล็อคได้** ในลักษณะนี้จะป้องกันไม่ให้เครื่องได้รับความเสียหายจากการเก็บรักษาและจากการถูกนำไปใช้งานโดยผู้ที่ไม่ได้รับการฝึกฝน
- ▶ **ตรวจสอบสายไฟฟ้าเป็นประจำ และส่งสายไฟฟ้าที่ชำรุด ไปซ่อมแซมที่ศูนย์บริการลูกค้าที่ได้รับมอบหมายสำหรับเครื่องมือไฟฟ้า บอช เท่านั้น** เปลี่ยนสายไฟต่อที่ชำรุด ในลักษณะนี้ท่านจะแน่ใจได้ว่าเครื่องมือไฟฟ้าอยู่ในสภาพที่ปลอดภัย
- ▶ **ต่อเครื่องเข้ากับแหล่งจ่ายกระแสไฟฟ้าหลักที่ต่อลงดินไว้อย่างถูกต้อง** เบ้าเสียบและสายไฟต่อต้องมีอุปกรณ์ต่อวงจรเข้ากับสายดินที่ไม่ชำรุด
- ▶ **รักษาสถานที่ทำงานให้สะอาด** การผสมผสานของวัสดุก่อให้เกิดอันตรายอย่างยิ่ง ผุ่นที่ได้จากโลหะน้ำหนักเบาอาจลุกไหม้หรือระเบิดได้
- ▶ **ปกป้องเครื่องมือเจียรในจากการถูกระเบิดระเบิด และจาระบี**

## สัญลักษณ์

สัญลักษณ์ต่อไปนี้มีความสำคัญต่อการใช้เครื่องมือไฟฟ้าของท่าน กรุณาจดจำสัญลักษณ์และความหมาย การแปลความสัญลักษณ์ได้ถูกต้องจะช่วยให้ท่านใช้เครื่องมือไฟฟ้าได้ดีและปลอดภัยกว่า

#### สัญลักษณ์และความหมายของสัญลักษณ์



**เอามือของท่านออกจากบริเวณล้อหินเจียรในขณะที่เครื่องกำลังวิ่งอยู่** อันตรายจากการบาดเจ็บในกรณีสัมผัสกับล้อหินเจียรใน



**สวมอุปกรณ์ป้องกันหู** การได้รับเสียงดังอาจทำให้สูญเสียการได้ยิน



**สวมแว่นตาป้องกันอันตราย**



**สวมหน้ากากป้องกันฝุ่น**

## 32 | ภาษาไทย

## สัญลักษณ์และความหมายของสัญลักษณ์

สวมถุงมือป้องกันอันตราย

รายละเอียดผลิตภัณฑ์และ  
ข้อมูลจำเพาะ

ต้องอ่านค่าเตือนเพื่อความปลอดภัยและ  
คำสั่งทั้งหมด การไม่ปฏิบัติตามคำเตือนและ  
คำสั่งอาจเป็นสาเหตุให้ถูกไฟฟ้าดูด เกิด  
ไฟไหม้ และ/หรือได้รับบาดเจ็บอย่างร้ายแรง

## ประโยชน์การใช้งานของเครื่อง

เครื่องนี้ใช้สำหรับลับคมเครื่องมือ รวมทั้งเจียรระโนและขัด  
เสี้ยนโลหะออกเครื่องมือที่สามารถใช้ทำงานในระยะเวลาสั้นๆ  
เท่านั้น (ไม่เกิน 60 นาที)

## ส่วนประกอบผลิตภัณฑ์

ลำดับเลขของส่วนประกอบผลิตภัณฑ์อ้างอิงถึงส่วนประกอบ  
ของเครื่องที่แสดงในหน้าภาพประกอบ

- 1 ฝาครอบ
- 2 น็อตยึด
- 3 น็อตยึด
- 4 น็อตรอง
- 5 แกนเครื่อง
- 6 กระจับป้องกัน
- 7 รูปประกอบ
- 8 สวิตช์เปิด-ปิด
- 9 ประแจปากตาย \*
- 10 ตัวยึดกระจับป้องกันประกายไฟ
- 11 กระจับป้องกันประกายไฟ
- 12 อุปกรณ์หมุนชิ้นงาน

\* อุปกรณ์ประกอบที่แสดงหรือระบุไม่รวมอยู่ในการจัดส่งมาตรฐาน  
กรุณาดูอุปกรณ์ประกอบทั้งหมดในรายการแสดงอุปกรณ์ประกอบ  
ของเรา

## ข้อมูลทางเทคนิค

เครื่องเจียรระโนคูแบบตั้งโต๊ะ	GBG 35-15	
หมายเลขสินค้า	3 601 B7A 3..	
กำลังไฟฟ้าเข้ากำหนด P1	วัตต์	350
กำลังไฟฟ้ออก P2		
- 50 เฮิร์ตซ์	วัตต์	240
- 60 เฮิร์ตซ์	วัตต์	250
วิธีปฏิบัติงาน *	S2 (60 นาที)	
ค่าที่ใช้ได้กับแรงดันไฟฟ้าระบุ [U] 230 โวลต์ ค่าเหล่านี้อาจผิดแผก ไปสำหรับแรงดันไฟฟ้าที่ต่ำกว่า และโมเดลที่สร้างสำหรับเฉพาะประเทศ		
* วิธีปฏิบัติงาน S2 (60 นาที) หมายถึงการทำงานระยะสั้นที่มีระยะเวลา การทำงานสูงสุด 60 นาที หลังจากช่วงเวลานี้ ให้ปิดสวิตช์เครื่องและ ปล่อยให้เครื่องเย็นลง		

## เครื่องเจียรระโนคูแบบตั้งโต๊ะ

GBG 35-15

ความเร็วรอบเดินดิวเปล่า		
- 50 เฮิร์ตซ์	รอบ/นาที	3000
- 60 เฮิร์ตซ์	รอบ/นาที	3600
เกลียวบนแกนเครื่อง		M 12
ล้อหินเจียรระโน		
- เส้นผ่าศูนย์กลาง	มม.	150
- ความกว้าง	มม.	20
- รูปประกอบ	มม.	12.7/20
- ขนาดเม็ดทราย		24/60
น็อตรอง		
- รูปประกอบ	มม.	12.7
- ส่วนเว้า น้อยสุด	มม.	1.5
นำหนักตามระเบียบการ-EPTA- Procedure 01:2014	กก.	10.0
ระดับความปลอดภัย		⊕/I
ค่าที่ใช้ได้กับแรงดันไฟฟ้าระบุ [U] 230 โวลต์ ค่าเหล่านี้อาจผิดแผก ไปสำหรับแรงดันไฟฟ้าที่ต่ำกว่า และโมเดลที่สร้างสำหรับเฉพาะประเทศ		
* วิธีปฏิบัติงาน S2 (60 นาที) หมายถึงการทำงานระยะสั้นที่มีระยะเวลา การทำงานสูงสุด 60 นาที หลังจากช่วงเวลานี้ ให้ปิดสวิตช์เครื่องและ ปล่อยให้เครื่องเย็นลง		

## การประกอบ

## ▶ ดึงปลั๊กไฟออกจากเต้าเสียบก่อนปรับแต่งเครื่อง

- ยึดเครื่องมือไฟฟ้ากับโต๊ะทำงาน/ท็อปเคาน์เตอร์ที่ใช้ทำงาน  
โดยชนสกรูที่เหมาะสม 4 ตัวลงในรูปประกอบ 7 ที่ให้ไว้

การประกอบกระจับป้องกันประกายไฟ/  
อุปกรณ์หมุนชิ้นงาน (ดูภาพประกอบ A-D)

## ▶ ใช้เครื่องมือไฟฟ้าร่วมกับกระจับป้องกันประกายไฟ 11

เท่านั้น และหมุนกระจับบังลดด้านล่างเท่าที่เป็นไปได้  
ประกายไฟที่เกิดขึ้นอาจทำร้ายดวงตาของท่าน หรือจุด  
ไฟเผาวัตถุในบริเวณใกล้เคียง

## ▶ ใช้เครื่องมือไฟฟ้าร่วมกับอุปกรณ์หมุนชิ้นงานเท่านั้น

อย่าสัมผัสอุปกรณ์หมุนชิ้นงาน 12 ขึ้นข้างกับชิ้นเข้า  
มีฉะนั้นระยะห่างระหว่างอุปกรณ์หมุนชิ้นงาน 12 และ  
ล้อหินเจียรระโนจะมากขึ้นไป หากมีระยะห่างมากขึ้น ท่าน  
จะไม่ได้รับการปกป้องจากประกายไฟอย่างพอเพียงเนื่องด้  
วยการเคลื่อนหมุนของล้อหินเจียรระโน ชิ้นงานอาจถูกดึง  
เข้ามาและทำให้เกิดการบาดเจ็บได้

- ประกอบตัวยึดกระจับป้องกันประกายไฟ 10  
ด้วยสกรูสองตัว
- ชนกระจับป้องกันประกายไฟ 11 เข้ากับตัวยึดกระจับ  
ป้องกันประกายไฟ 10
- ประกอบอุปกรณ์หมุนชิ้นงาน 12 เข้าดังแสดงในภาพ  
ประกอบ

▶ ตรวจสอบระยะช่องว่างระหว่างอุปกรณ์หมุนชิ้นงาน 12  
และตัวยึดกระจับป้องกันประกายไฟ 10 ไปยังล้อหิน  
เจียรระโนเป็นประจำ และปรับใหม่ตามต้องการ ระยะ  
ช่องว่างไปยังล้อหินเจียรระโนต้องไม่เกิน 2 มม. หาก  
ระยะช่องว่างมีขนาดกว้างกว่า ท่านจะไม่ได้รับการปกป้อง  
จากประกายไฟอย่างเพียงพอ ชิ้นงานอาจถูกดูดเข้ามาจาก  
การเคลื่อนที่แบบหมุนของล้อหินเจียรระโน และทำให้  
บาดเจ็บได้



## การเปลี่ยนล้อยินเจียระไน

- ▶ **ตั้งปลั๊กไฟ**ออกจากเต้าเสียบก่อนปรับแต่งเครื่อง
  - ▶ **ความเร็วรอบกำหนดของอุปกรณ์ประกอบอย่างน้อยที่สุดต้องสูงเท่ากับความเร็วรอบกำหนดสูงสุดที่ระบุไว้บนเครื่องมือไฟฟ้า** อุปกรณ์ประกอบที่หมุนเร็วกว่าความเร็วรอบกำหนดของตัวเองอาจกระเด็นออกเป็นชิ้นๆ
  - ▶ **ไม่อนุญาตให้ใช้ล้อยินเจียระไนที่มีขนาดเส้นผ่าศูนย์กลางเกินกว่าข้อกำหนดที่ระบุไว้บนเครื่องมือไฟฟ้า**
- เปลี่ยนล้อยินเจียระไนเมื่อไม่สามารถปรับด้วยคิกระบังป้องกันประกายไฟ 10 ให้ได้ระยะช่องว่างที่ต้องการคือ 2 มม. (สูงสุด) จากล้อยินเจียระไน

- คลายสลกรู 3 ตัวบนฝาครอบ 1 และถอดฝาครอบ 1 ออก จับแกนเครื่อง 5 ให้แน่นด้วยประแจปากตาย 9 และหมุนน็อตยึด 2 ออกจากแกนเครื่อง 5

**หมายเหตุ:** แกนเครื่อง 5 บนด้านซ้ายของตัวเครื่องมีเกลียวหมุนทางซ้าย

- ถอดน็อตยึด 3 และล้อยินเจียระไนออกจากแกนเครื่อง 5
- ประกอบล้อยินเจียระไนใหม่เข้าตามลำดับย้อนหลัง วางฝาครอบ 1 อย่างมั่นคงลงบนครอบเครื่อง และยึดให้แน่นด้วยสลกรู 3 ตัว

- ▶ **ใช้เครื่องมือไฟฟ้าร่วมกับเครื่องมือที่ติดตั้งบนแกนทั้งสองเท่านั้น** ทั้งนี้เพื่อหลีกเลี่ยงการสัมผัสกับแกนทั้งหมด

ตกแต่งแผ่นเจียระไนที่ใช้แล้วและไม่เป็นวงกลมให้เป็นแนวตรงด้วยหินลับ (อุปกรณ์ประกอบ) ก่อนนำไปใช้งานต่อ

## การดูดฝุ่น/ขี้เลื่อย

- ▶ **ฝุ่นที่ได้จากวัสดุ** เช่น เคลือบผิวที่มีสารตะกั่ว ไม้ยางประเภทเรซาดู และโลหะ อาจเป็นอันตรายต่อสุขภาพ การสัมผัสหรือการหายใจเอาฝุ่นเข้าไปอาจทำให้เกิดปฏิกิริยาแพ้ฝุ่นและ/หรือนำมาซึ่งโรคติดเชื้อระบบหายใจแก่ผู้ใช้เครื่องมือหรือผู้ที่ยืนอยู่ใกล้เคียง
- ▶ **ฝุ่นบางประเภท** เช่น ฝุ่นไม้โอ๊ก หรือไม้บีช นับเป็นสารที่ทำให้เกิดมะเร็ง โดยเฉพาะอย่างยิ่งเมื่อผสมกับสารเติมแต่งเพื่อบำบัดไม้ (โครเมต ผลิตภัณฑ์รักษาเนื้อไม้) สำหรับวัสดุที่มีแอลกอฮอล์ต้องให้ผู้เชี่ยวชาญทำงานเท่านั้น
  - จัดสถานที่ทำงานให้มีการระบายอากาศที่ดี
  - ขอแนะนำให้สวมหน้ากากป้องกันการติดเชื้อที่มีระดับ-ไส้กรอง P2
- ▶ **ปฏิบัติตามกฎข้อบังคับสำคัญอื่นๆ** ที่เกี่ยวกับวัสดุชิ้นงานที่มักับใช้ในประเทศของท่าน
- ▶ **ป้องกันการสะสมของฝุ่นในสถานที่ทำงาน** ฝุ่นสามารถถูกใหม่อย่างง่ายดาย

## การปฏิบัติงาน

### เริ่มต้นปฏิบัติงาน

- ▶ **ให้สังเกตแรงดันไฟฟ้า!** แรงดันไฟฟ้าจากแหล่งจ่ายไฟฟ้าต้องมีค่าตรงกับค่าแรงดันไฟฟ้าที่ระบุไว้บนแผ่นป้ายพิกัดเครื่อง
- ▶ **ตรวจสอบเครื่องมือเจียระไนก่อนใช้งาน เครื่องมือเจียระไนต้องประกอบอย่างถูกต้องและต้องหมุนได้**

**อย่างอิสระ ทำการทดสอบ 1 นาที (ขั้นต่ำ) โดยให้เดินตัวเปล่าที่ความเร็วสูงสุดในสภาพแวดล้อมที่ปลอดภัย อย่าใช้เครื่องมือเจียระไนที่ชำรุด ไม่เป็นวงกลม หรือสั้นตัว เครื่องมือเจียระไนที่ชำรุดสามารถระเบิดหรือแตกออก และทำให้บาดเจ็บได้**

### การเปิด-ปิดเครื่อง

เพื่อประหยัดพลังงาน เปิดสวิตช์เครื่องมือไฟฟ้าเฉพาะเมื่อใช้งานเท่านั้น

- **เปิดเครื่อง**ทำงานโดยสลับสวิตช์เปิด-ปิด 8 ไปที่ตำแหน่ง "I"
- **ปิดเครื่อง**โดยสลับสวิตช์เปิด-ปิด 8 ไปที่ตำแหน่ง "0"

### ข้อแนะนำในการทำงาน

- ▶ **สวมผ้ากันเปื้อนสำหรับทำงานดูแลอย่าให้บุคคลอื่นได้รับอันตรายจากประกายไฟนำวัสดุไวไฟในบริเวณใกล้เคียงออกไป** เมื่อตัดโลหะจะเกิดประกายไฟ
- ▶ **อย่าเอื้อมมือเข้าไปในล้อยินเจียระไนของเครื่องที่กำลังวิ่งอยู่อย่างเด็ดขาด** การกระทำดังกล่าวอาจทำให้บาดเจ็บสาหัสได้
- ▶ **จับชิ้นงานเข้าหาเครื่องที่เปิดสวิตช์อยู่เท่านั้น และอย่าปิดสวิตช์เครื่องจนกว่าจะได้นำชิ้นงานออกแล้ว** ชิ้นงานอาจเคลื่อนไหวอย่างกะทันหันได้

ใช้แผ่นเจียระไนซิลิกอนคาร์ไบด์ C (อุปกรณ์ประกอบ) เมื่อทำงานกับชิ้นงานคาร์ไบด์ (TC)

ปกป้องเครื่องมือเจียระไนจากการถูกกระทบกระแทก และจาระบี

- วางชิ้นงานที่จะเจียระไนลงบนอุปกรณ์หมุนชิ้นงาน 12 และกดชิ้นงานพอควรเข้าหาล้อยินเจียระไน เพื่อให้ได้ผลการเจียระไนที่ดีที่สุด ให้เคลื่อนชิ้นงานไปมาเล็กน้อย การกระทำดังกล่าวยังทำให้มั่นใจว่าล้อยินเจียระไนจะค่อยๆ สึกกร่อนอย่างเท่าเทียมกันด้วย
- ทำให้ชิ้นงานเย็นลงโดยจุ่มในน้ำเย็นครั้งคราว

### การขนส่ง

- ถอดอุปกรณ์ประกอบทุกชิ้นที่ไม่สามารถประกอบเข้ากับเครื่องมือไฟฟ้าได้อย่างแน่นอนหนา
- ม้วนสายไฟฟ้าทั้งหมดและรวมมัดไว้ด้วยกัน
- เมื่อยกหรือขนย้าย ให้จับเครื่องมือไฟฟ้าจากด้านล่างตรงกระบังป้องกันทั้งสอง 6 ที่บริเวณรูสำหรับการประกอบ 7 ท่านสามารถหมุนเครื่องมือไฟฟ้า
- ▶ **เมื่อขนย้ายเครื่องมือไฟฟ้า อย่าใช้กระบังป้องกันประกายไฟ 11 หรืออุปกรณ์หมุนชิ้นงาน 12 อย่างเด็ดขาด**

## การบำรุงรักษาและการบริการ

### การบำรุงรักษาและการทำความสะอาด

- ▶ **ตั้งปลั๊กไฟ**ออกจากเต้าเสียบก่อนปรับแต่งเครื่อง
- ▶ **เพื่อให้ทำงานได้อย่างถูกต้องและปลอดภัย ต้องรักษาเครื่องและช่องระบายอากาศให้สะอาดอยู่เสมอ**

เมื่อจำเป็นต้องเปลี่ยนสายไฟฟ้า ให้ส่งเครื่องให้บริษัท บ็อบหรือศูนย์บริการลูกค้าสำหรับเครื่องมือไฟฟ้า บ็อบ ที่ได้รับมอบหมายทำการเปลี่ยนให้ เพื่อหลีกเลี่ยงอันตรายด้านความปลอดภัย

## การบริการหลังการขายและคำแนะนำการใช้งาน

ศูนย์บริการหลังการขายของเรายินดีตอบคำถามเกี่ยวกับการบำรุงรักษาและการซ่อมแซมผลิตภัณฑ์ของท่าน รวมทั้งชิ้นส่วนอะไหล่ ภาพแยกชิ้นประกอบและข้อมูลเกี่ยวกับชิ้นส่วนอะไหล่ยังสามารถดูได้ใน:

[www.bosch-pt.com](http://www.bosch-pt.com)

ทีมงานให้คำแนะนำการใช้งานของ บ็ช ยินดีตอบคำถามเกี่ยวกับผลิตภัณฑ์ของเราและอุปกรณ์ประกอบของผลิตภัณฑ์เมื่อต้องการสอบถามและสั่งซื้ออะไหล่ กรุณาแจ้งหมายเลขสินค้า 10 หลกบนแผ่นป้ายรุ่นของผลิตภัณฑ์ทุกครั้ง

### ไทย

บริษัท โรเบิร์ต บ็ช จำกัด  
ชั้น 11 ตึกลิเบอร์ตี สแควร์  
287 ถนนสีลม บางรัก  
กรุงเทพฯ 10500

โทรศัพท์ 02 6393111

โทรสาร 02 2384783

บริษัท โรเบิร์ต บ็ช จำกัด ตู้ ปณ. 2054

กรุงเทพฯ 10501 ประเทศไทย

[www.bosch.co.th](http://www.bosch.co.th)

ศูนย์บริการซ่อมและฝึกอบรม บ็ช  
อาคาร ลานศาลทาวเวอร์ ชั้น G ห้องเลขที่ 2

บ้านเลขที่ 10/11 หมู่ 16

ถนนศรีนครินทร์

ตำบลบางแก้ว อำเภอบางพลี

จังหวัดสมุทรปราการ 10540

ประเทศไทย

โทรศัพท์ 02 7587555

โทรสาร 02 7587525

### การกำจัดขยะ

เครื่องมือ อุปกรณ์ประกอบ และที่หีบต้องนำไปแยกประเภทวัสดุเพื่อนำกลับมาใช้ใหม่โดยไม่ทำลายสภาพแวดล้อม



อย่าทิ้งเครื่องมือไฟฟ้าลงในขยะบ้าน!

ขอสงวนสิทธิ์ในการเปลี่ยนแปลงโดยไม่ต้องแจ้งล่วงหน้า

## Bahasa Indonesia

### Petunjuk-Petunjuk untuk Keselamatan Kerja

#### Keselamatan Kerja Power Tool Umum

**⚠ PERHATIKANLAH** Baca seluruh petunjuk keselamatan kerja, ilustrasi dan spesifikasi yang diberikan bersama perkakas listrik ini. Kesalahan dalam menjalankan petunjuk-petunjuk untuk keselamatan kerja di bawah ini dapat mengakibatkan kontak listrik, kebakaran dan/atau luka berat.

**Simpan semua petunjuk keselamatan kerja sebagai informasi lebih lanjut.**

Istilah „power tool“ dalam petunjuk keselamatan mengacu pada perkakas listrik utama (Anda yang dioperasikan dengan kabel atau dengan baterai (tanpa kabel)).

**⚠ PERHATIKANLAH** Selama menggunakan perkakas listrik, untuk menghindari terjadinya kontak listrik, luka-luka dan kebakaran, petunjuk-petunjuk untuk keselamatan kerja berikut mutlak harus ditaati.

Bacalah semua petunjuk-petunjuk ini, sebelum Anda mulai menggunakan perkakas listrik, dan simpanlah petunjuk-petunjuk untuk keselamatan kerja dengan baik.

#### Keselamatan kerja di tempat kerja

- ▶ **Jagalah supaya tempat kerja selalu bersih dan terang.** Tempat kerja yang tidak rapi atau tidak terang dapat mengakibatkan terjadinya kecelakaan.
- ▶ **Janganlah menggunakan perkakas listrik di tempat di mana dapat terjadi ledakan, di mana ada cairan, gas atau debu yang mudah terbakar.** Perkakas listrik dapat memancarkan bunga api yang lalu mengakibatkan debu atau uap terbakar.
- ▶ **Selama menggunakan perkakas listrik, jauhkan anak-anak dan orang-orang lain dari tempat kerja.** Jika konsentrasi terganggu, bisa jadi Anda tidak bisa mengendalikan perkakas listrik tersebut.

#### Keamanan listrik

- ▶ **Steker dari perkakas listrik harus cocok pada stopkontak. Janganlah sekali-kali merubah steker. Janganlah menggunakan steker perantara bersama dengan perkakas listrik yang mempunyai hubungan arde.** Steker yang tidak dirubah dan stopkontak yang cocok mengurangi bahaya terjadinya kontak listrik.
- ▶ **Jagalah supaya badan Anda tidak bersentuhan dengan permukaan yang mempunyai hubungan arde, misalnya pipa-pipa, radiator pemanas ruangan, kompor listrik dan lemari es.** Ada risiko besar terjadi kontak listrik, jika badan Anda mempunyai hubungan arde.
- ▶ **Jagalah supaya perkakas listrik tidak kena hujan atau menjadi basah.** Air yang masuk ke dalam perkakas listrik menambah risiko terjadinya kontak listrik.
- ▶ **Janganlah menyalah gunakan kabel listrik untuk mengangkat dan menggantungkan perkakas listrik atau untuk menarik steker dari stopkontak. Jagalah supaya kabel listrik tidak kena panas, minyak, pinggiran yang tajam atau bagian-bagian perkakas yang bergerak.** Kabel listrik yang rusak atau tersangkut menambah risiko terjadinya kontak listrik.
- ▶ **Jika Anda menggunakan perkakas listrik di luar gedung, gunakanlah hanya kabel sambungan yang juga cocok untuk pemakaian di luar gedung.** Penggunaan kabel sambungan yang cocok untuk pemakaian di luar gedung mengurangi risiko terjadinya kontak listrik.
- ▶ **Jika penggunaan perkakas listrik di tempat yang basah tidak bisa dihindarkan, gunakanlah sakelar pengaman terhadap arus penyimpangan.** Penggunaan sakelar

pengaman terhadap arus penyimpangan mengurangi risiko terjadinya kontak listrik.

#### Keselamatan kerja

- ▶ **Berhati-hatilah selalu, perhatikanlah apa yang Anda kerjakan dan bekerjalah dengan seksama jika menggunakan perkakas listrik. Janganlah menggunakan perkakas listrik, jika Anda capai atau berada di bawah pengaruh narkoba, minuman keras atau obat.** Jika Anda sekejap mata saja tidak berhati-hati sewaktu menggunakan perkakas listrik, dapat terjadi luka-luka berat.
- ▶ **Pakailah pakaian dan sarana pelindung dan pakailah selalu kaca mata pelindung.** Dengan memakai pakaian dan sarana pelindung, misalnya kedok anti debu (masker), sepatu tertutup yang tidak licin, helm pelindung atau pemalut telinga sesuai dengan pekerjaan yang dilakukan dengan perkakas listrik, bahaya terjadinya luka-luka dapat dikurangi.
- ▶ **Jagalah supaya perkakas listrik tidak dihidupkan secara tidak disengaja. Perhatikan bahwa perkakas listrik dalam penyetelan mati, jika steker disambungkan pada pengadaan listrik dan/atau baterai, jika perkakas listrik diangkat atau dibawa.** Jika selama mengangkat perkakas listrik jari Anda berada pada tombol untuk menghidupkan dan mematikan atau perkakas listrik yang dalam penyetelan hidup disambungkan pada listrik, dapat terjadi kecelakaan.
- ▶ **Lepaskan semua perkakas-perkakas penyetelan atau kunci-kunci pas sebelum perkakas listrik dihidupkan.** Perkakas atau kunci yang berada di dalam bagian yang berputar dapat mengakibatkan terjadinya luka-luka.
- ▶ **Aturkan badan sedemikian sehingga Anda bisa bekerja dengan aman. Berdirilah secara mantap dan jagalah selalu keseimbangan.** Dengan demikian Anda bisa mengendalikan perkakas listrik dengan lebih baik, jika terjadi sesuatu dengan tiba-tiba.
- ▶ **Pakailah pakaian yang cocok. Janganlah memakai pakaian yang longgar atau perhiasan. Jagalah supaya rambut dan pakaian Anda tidak masuk dalam bagian-bagian perkakas yang bergerak.** Pakaian yang longgar, rambut panjang atau perhiasan dapat tersangkut dalam bagian perkakas yang bergerak.
- ▶ **Jika ada kemungkinan untuk memasang sarana penghisapan dan penampungan debu, perhatikan bahwa sarana-sarana ini telah dipasang dan digunakan dengan betul.** Penggunaan sarana penghisapan bisa mengurangi bahaya yang disebabkan debu.
- ▶ **Jangan biarkan kemudahan yang didapat karena kebiasaan penggunaan yang terlalu sering membuat anda puas sehingga mengabaikan prinsip-prinsip keamanan penggunaan alat.** Tindakan yang kurang hati-hati dapat mengakibatkan luka berat dalam waktu sepersekian detik.

**Penggunaan dan penanganan perkakas listrik dengan seksama**

- ▶ **Janganlah membebankan perkakas listrik terlalu berat. Gunakan selalu perkakas listrik yang cocok**

**untuk pekerjaan yang dilakukan.** Dengan perkakas listrik yang cocok Anda bekerja lebih baik dan lebih aman dalam batas-batas kemampuan yang ditentukan.

- ▶ **Janganlah menggunakan perkakas listrik yang tombolnya rusak.** Perkakas listrik yang tidak bisa dihidupkan atau dimatikan, berbahaya dan harus direparasikan.
- ▶ **Tariklah steker dari stopkontak dan/atau keluarkan baterai, jika dapat dilepas, sebelum Anda melakukan penyetelan pada perkakas listrik, mengganti alat-alat kerja atau sebelum menyimpan perkakas listrik.** Tindakan keselamatan kerja ini mengurangi bahaya perkakas listrik hidup secara tidak disengaja.
- ▶ **Simpanlah perkakas listrik yang tidak digunakan di luar jangkauan anak-anak. Janganlah mengizinkan orang-orang yang tidak mengenal perkakas listrik ini atau yang belum membaca petunjuk-petunjuk ini, menggunakan perkakas listrik ini.** Perkakas listrik bisa menjadi berbahaya, jika digunakan oleh orang-orang yang tidak mengenalnya.
- ▶ **Rawatlah perkakas listrik dan alat-alatnya.** Periksalah, apakah bagian-bagian perkakas listrik yang bergerak berfungsi dengan baik dan tidak tersangkut, apakah ada bagian-bagian yang patah atau rusak sedemikian, sehingga dapat mempengaruhi jalannya perkakas listrik. Biarkan bagian-bagian perkakas yang rusak direparasikan, sebelum Anda mulai menggunakan perkakas listrik. Banyak kecelakaan terjadi karena perkakas listrik tidak dirawat dengan seksama.
- ▶ **Perhatikan supaya alat-alat pemotong selalu tajam dan bersih.** Alat-alat pemotong dengan mata-mata pemotong yang tajam dan dirawat dengan seksama tidak mudah tersangkut dan lebih mudah dikendalikan.
- ▶ **Gunakanlah semua perkakas listrik, aksori, alat-alat kerja dsb. sesuai dengan petunjuk-petunjuk. Perhatikan syarat-syarat kerja dan macam pekerjaan yang dilakukan.** Penggunaan perkakas listrik untuk macam pekerjaan yang tidak cocok dengan kegunaannya bisa mengakibatkan keadaan yang berbahaya.
- ▶ **Jaga handel dan permukaan gagang agar tetap kering, bersih dan bebas dari minyak dan lemak.** Handel dan permukaan gagang yang licin tidak menjamin keselamatan kerja dan kontrol alat yang baik pada situasi yang tidak diinginkan.

#### Servis

- ▶ **Biarkan perkakas listrik Anda direparasikan hanya oleh orang-orang ahli yang berpengalaman dan hanya dengan menggunakan suku cadang yang asli.** Dengan demikian terjamin keselamatan kerja dengan perkakas listrik ini secara berkesinambungan.

#### Petunjuk keamanan untuk mesin gerinda meja

- ▶ **Janganlah menggunakan alat kerja-alat kerja yang tidak mulus. Sebelum menggunakannya, periksalah dahulu mata gerinda apakah ada bagian yang sembul dan retak. Jika perkakas listrik atau alat kerja jatuh, periksalah apakah menjadi rusak atau gunakanlah alat**

## 36 | Bahasa Indonesia

kerja lainnya yang tidak rusak. Jika Anda telah memeriksa alat kerja dan telah memasangkannya, Anda dan orang-orang yang berada di dekat tempat kerja harus menjauh dari lingkungan gerak alat kerja yang memutar dan biarkan perkakas listrik berjalan dengan kecepatan putaran maksimal selama satu menit. Kebanyakan alat kerja-alat kerja yang rusak akan patah selama masa uji coba ini.

- ▶ **Kecepatan putaran yang diizinkan dari alat kerja harus paling sedikit sebesar kecepatan putaran maksimal yang tercantum pada perkakas listrik.** Aksesori yang diputar lebih cepat daripada kecepatan putaran yang diizinkan, bisa terpecah dan beterbangan.
- ▶ **Jangan menghaluskan dengan sisi permukaan mata gerinda.** Menghaluskan dengan sisi permukaan dapat merusak mata gerinda dan membuatnya terbelah.

**Pakailah kaca mata pelindung.**



- ▶ **Simpan perkakas listrik dan perkakas tambahan yang tidak digunakan dengan aman.** Tempat penyimpanan harus kering dan dapat dikunci. Hal tersebut menghindarkan perkakas listrik dari kerusakan selama disimpan atau akibat digunakan oleh orang-orang yang tidak berpengalaman.
- ▶ **Periksalah secara berkala kabel listrik dan biarkan kabel listrik yang rusak direparasikan hanya oleh Service Center untuk perkakas listrik Bosch yang resmi.** Kabel penyambung yang rusak harus digantikan. Dengan demikian keselamatan kerja dengan perkakas listrik ini selalu terjamin.
- ▶ **Sambungkan perkakas listrik pada jaringan listrik dengan hubungan tanah yang memenuhi persyaratan.** Stopkontak dan kabel penyambung harus dilengkapi dengan penghantar tanah yang berfungsi dengan baik.
- ▶ **Jagalah supaya tempat di mana Anda bekerja selalu bersih.** Campuran bahan-bahan sangat membahayakan. Debu logam ringan bisa terbakar atau meledak.
- ▶ Lindungilah mata gerinda terhadap pukulan, benturan dan lemak.

## Simbol-Symbol

Simbol-simbol berikut bisa sangat membantu Anda selama penggunaan perkakas listrik. Pelajari dan ingati simbol-simbol berikut dan maknanya. Pengertian yang betul dari simbol-simbol ini bisa membantu Anda untuk menggunakan perkakas listrik dengan jitu dan aman.

### Simbol dan artinya



**Janganlah mendekatkan tangan-tangan Anda pada lingkungan kerja dari mata gerinda, selama perkakas listrik dalam keadaan hidup.** Sentuhan pada mata gerinda dapat mengakibatkan terjadinya luka-luka.

### Simbol dan artinya



**Pakailah pemalut telinga.** Kebisingan dapat mengakibatkan daya pendengaran berkurang.



**Pakailah kaca mata pelindung.**



**Pakailah masker anti debu.**



**Pakailah sarung tangan pelindung.**

## Penjelasan tentang produk dan daya



**Bacalah semua petunjuk-petunjuk untuk keselamatan kerja dan petunjuk-petunjuk untuk penggunaan.** Kesalahan dalam menjalankan petunjuk-petunjuk untuk keselamatan kerja dan petunjuk-petunjuk

untuk penggunaan dapat mengakibatkan kontak listrik, kebakaran dan/atau luka-luka yang berat.

### Penggunaan alat

Perkakas listrik ini cocok untuk mengasah alat kerja-alat kerja serta untuk menggerinda dan meratakan pinggiran bahan logam yang dikerjakan.

Perkakas listrik ini hanya diizinkan untuk penggunaan jangka pendek (maksimal 60 men.).

### Bagian-bagian pada gambar

Nomor-nomor dari bagian-bagian perkakas pada gambar sesuai dengan gambar perkakas listrik pada halaman bergambar.

- 1 Penutup
- 2 Mur untuk poros kerja
- 3 Flens pemegang
- 4 Flens untuk poros kerja
- 5 Poros kerja
- 6 Kap pelindung
- 7 Lubang-lubang untuk pemasangan
- 8 Tombol untuk menghidupkan dan mematikan
- 9 Kunci pas \*
- 10 Pemegang pelindung terhadap pemancaran bunga api
- 11 Pelindung terhadap pemancaran bunga api
- 12 Penopang benda yang dikerjakan

\*Aksesori yang ada pada gambar atau yang dijelaskan, tidak termasuk pasokan standar. Semua aksesori yang ada bisa Anda lihat dalam program aksesori Bosch.

## Data teknis

Mesin gerinda ganda	GBG 35-15	
Nomor model	3 601 B7A 3..	
Masukan nominal P1	W	350
Daya P2		
– 50 Hz	W	240
– 60 Hz	W	250
Jenis fungsi *	S2 (60 min)	
Kecepatan putaran tanpa beban		
– 50 Hz	min <sup>-1</sup>	3000
– 60 Hz	min <sup>-1</sup>	3600
Ulir poros kerja	M 12	
Mata gerinda		
– Diameter	mm	150
– Lebar	mm	20
– Garis tengah lubang	mm	12,7/20
– Butiran		24/60
Flange penyangga		
– Garis tengah lubang	mm	12,7
– Minimal cekungan	mm	1,5
Berat sesuai dengan EPTA- Procedure 01:2014	kg	10,0
Klasifikasi keamanan	⊕ / I	
Data-data berlaku untuk tegangan nominal [U] 230 V. Pada tegangan yang lebih rendah dan pada model khusus mancanegara data-data ini bisa berlainan.		
* Jenis fungsi S2 (60 men.) berarti penggunaan jangka pendek dengan waktu penggunaan selama maksimal 60 menit. Setelah jangka waktu ini terpenuhi, matikan perkakas listrik dan biarkannya menjadi dingin.		

## Cara memasang

- ▶ **Sebelum mulai dengan pekerjaan pada perkakas listrik, tariklah steker dari stopkontak.**
- Kencangkan perkakas listrik pada 4 lubang yang tersedia **7** dengan baut yang sesuai pada bangku kerja / permukaan meja.

### Memasang pelindung terhadap pemancaran bunga api/penopang benda yang dikerjakan (lihat gambar-gambar A – D)

- ▶ **Selalu gunakan perkakas listrik dengan pelindung percikan **11** dan putar ke bawah sejauh mungkin.** Percikan yang muncul dapat mencedera mata atau mengakibatkan benda yang terletak di sekitarnya terbakar.
- ▶ **Selalu gunakan perkakas listrik dengan penopang benda. Jangan menukar posisi penopang benda sebelah kiri dan kanan **12**.** Jika tidak, jarak antara penopang benda **12** dan mata gerinda akan terlalu lebar. Jarak yang lebar akan mengakibatkan Anda tidak terlindungi dari percikan api. Benda yang sedang

dikerjakan dapat terlepas akibat putaran mata gerinda dan dapat mengakibatkan cedera.

- Pasangkan pemegang pelindung terhadap pemancaran bunga api **10** dengan kedua baut.
- Pasangkan pelindung terhadap pemancaran bunga api **11** pada pemegang pelindung terhadap pemancaran bunga api **10** dengan baut-baut.
- Pasangkan penopang benda yang dikerjakan **12** seperti yang diuraikan pada gambar.
- ▶ **Periksalah secara berkala celah antara penopang benda yang dikerjakan **12** atau pemegang pelindung terhadap pemancaran bunga api **10** dan mata gerinda dan jika perlu, lakukan penyetelan. Celah ke mata gerinda tidak boleh lebih besar daripada 2 mm.** Jika jarak lebih besar, Anda tidak terlindung dengan baik terhadap pemancaran bunga api. Benda yang dikerjakan dapat tertarik oleh karena gerakan rotasi dari mata gerinda, dan hal ini dapat mengakibatkan luka-luka.

## Mengganti mata gerinda

- ▶ **Sebelum mulai dengan pekerjaan pada perkakas listrik, tariklah steker dari stopkontak.**
- ▶ **Kecepatan putaran yang diizinkan dari alat kerja harus paling sedikit sebesar kecepatan putaran maksimal yang tercantum pada perkakas listrik.** Aksesori yang diputar lebih cepat daripada kecepatan putaran yang diizinkan, bisa terpecah dan beterbangan.
- ▶ **Cakram gerinda tidak boleh digunakan apabila memiliki diameter lebih besar dari keterangan yang tercantum pada perkakas listrik.**

Gantikan mata gerinda, jika pemegang pelindung terhadap pemancaran bunga api **10** tidak dapat disetelkan pada jarak ke mata gerinda maksimal sebesar 2 mm yang mutlak harus dipenuhi.

- Lepaskan 3 baut dari penutup **1** dan lepaskan penutup **1**. Kencangkan poros gerinda **5** dengan kunci pas **9** dan lepaskan mur pengencang **2** dari poros gerinda **5**.

**Petunjuk:** Poros kerja **5** yang berada di sebelah kiri dari perkakas listrik mempunyai ulir kiri.

- Lepaskan flens pemegang **3** dan mata gerinda dari poros kerja **5**.
- Cara memasang mata gerinda yang baru seperti di atas tetapi dalam urutan terbalik. Pasangkan penutup **1** dengan cara menekan secara kuat dan kencangkannya dengan ke 3 baut.

- ▶ **Gunakan perkakas listrik hanya dengan perkakas yang terpasang pada kedua poros.** Dengan demikian, sentuhan dengan poros yang berputar dapat dihindari.

Sebelum melanjutkan penggunaan mata gerinda yang sudah dipakai dan sembul, betulkannya dengan menggunakan batu asah (aksesori).

## Penghisapan debu/serbuk

- ▶ Debu dari bahan-bahan seperti misalnya cat yang mengandung timbel (timah hitam), beberapa jenis kayu, bahan mineral dan logam bisa berbahaya bagi kesehatan. Menyentuh atau menghirup debu-debu ini bisa

**38 | Bahasa Indonesia**

mengakibatkan reaksi alergi dan/atau penyakit saluran pernafasan dari orang yang menggunakan mesin atau orang yang berada di dekatnya. Beberapa debu tertentu seperti misalnya debu kayu pohon quercus atau pohon fagus silvatica dianggap bisa mengakibatkan penyakit kanker, terutama dalam campuran dengan bahan-bahan tambahan untuk pengolahan kayu (kromat, obat pengawet kayu). Bahan-bahan yang mengandung asbestos hanya boleh dikerjakan oleh orang-orang yang ahli.

- Perhatikanlah supaya ada pertukaran udara di tempat kerja.
- Kami anjurkan supaya Anda memakai kedok anti debu dengan saringan (filter) kelas P2.

Taatilah peraturan-peraturan untuk bahan-bahan yang dikerjakan yang berlaku di negara Anda.

- ▶ **Hindarkan debu yang banyak terkumpul di tempat kerja.** Debu dapat menyulut dengan mudahnya.

## Penggunaan

### Cara penggunaan

- ▶ **Perhatikan tegangan jaringan listrik! Tegangan jaringan listrik harus sesuai dengan tegangan listrik yang tercantum pada label tipe perkakas listrik.**
- ▶ **Periksalah selalu alat kerja untuk menggerinda sebelum menggunakannya. Alat kerja untuk menggerinda harus dipasang dengan baik dan harus dapat berputar secara bebas. Lakukanlah uji coba selama paling sedikit 1 menit pada kecepatan putaran maksimal dan tanpa beban. Janganlah menggunakan alat kerja untuk menggerinda yang rusak, sembul atau yang menyebabkan getaran.** Alat kerja untuk menggerinda yang rusak dapat pecah dan mengakibatkan terjadinya luka-luka.

### Menghidupkan/mematikan

Untuk menghemat energi, hidupkan perkakas listrik hanya jika Anda menggunakannya.

- Untuk **menghidupkan** perkakas listrik, gerakkan tombol untuk menghidupkan dan mematikan **8** ke posisi „I“.
- Untuk **mematikan** perkakas listrik, gerakkan tombol untuk menghidupkan dan mematikan **8** ke posisi „0“.

### Petunjuk-petunjuk untuk pemakaian

- ▶ **Pakailah pakaian kerja (apron). Perhatikanlah supaya tidak ada orang yang dibahayakan oleh pemancaran bunga api. Jauhkan bahan-bahan yang mudah terbakar.** Pada waktu menggerinda bahan-bahan logam terjadi pemancaran bunga api.
- ▶ **Janganlah sekali-kali menjangkau ke mata gerinda yang sedang berputar dari perkakas listrik ini.** Hal ini dapat mengakibatkan terjadinya luka-luka yang berat.
- ▶ **Hidupkan dahulu perkakas listrik, baru setelah itu benda yang dikerjakan didekatkan padanya dan jauhkan dahulu benda yang dikerjakan, baru setelah itu perkakas listrik dimatikan.** Benda yang dikerjakan tiba-tiba dapat bergoyang.

Untuk mengerjakan benda-benda dari baja intan, gunakanlah mata gerinda silisiumkarbid C (aksesori).

Lindungilah mata gerinda terhadap pukulan, benturan dan lemak.

- Letakkan benda yang akan digerinda pada penopang untuk benda yang dikerjakan **12** dan tekankan secara ringan pada mata gerinda. Untuk mencapai hasil kerja yang paling bagus, gerakkan sedikit benda yang dikerjakan kian dan kemari. Dengan demikian mata gerinda menjadi aus secara rata.
- Selama dikerjakan, dinginkan sekali-kali benda yang dikerjakan dalam air.

### Transpor

- Lepaskan semua aksesoris-aksesori yang tidak dapat dipasangkan dengan kencang pada perkakas listrik.
- Gulung dan ikat kabel listrik dengan benar.
- Pegang perkakas listrik pada kedua penutup pelindung **6** untuk mengangkat atau memindahkan dari bawah. Perkakas listrik dapat ditopang pada area lubang pemasangan **7**.
- ▶ **Jangan pernah gunakan pelindung percikan **11** atau penopang benda **12** ketika memindahkan perkakas listrik.**

## Rawatan dan servis

### Rawatan dan kebersihan

- ▶ **Sebelum mulai dengan pekerjaan pada perkakas listrik, tarikhlah steker dari stopkontak.**
- ▶ **Perkakas listrik dan lubang ventilasi harus selalu dibersihkan supaya perkakas bisa digunakan dengan baik dan aman.**

Jika kabel listrik harus digantikan, pekerjaan ini harus dilakukan oleh Bosch atau Service Center untuk perkakas listrik Bosch yang resmi, supaya keselamatan kerja selalu terjamin.

### Layanan pasca beli dan konseling terkait pengoperasian

Layanan pasca beli Bosch menjawab semua pertanyaan Anda terkait reparasi dan maintenance serta suku cadang produk ini. Gambar tiga dimensi dan informasi terkait suku cadang dapat Anda lihat di:

**www.bosch-pt.com**

Tim konseling pengoperasian dari Bosch dengan senang hati membantu Anda, jika Anda hendak bertanya tentang produk-produk kami dan aksesorisnya.

Jika Anda hendak menanyakan sesuatu atau memesan suku cadang, sebutkan selalu nomor model yang terdiri dari 10 angka dan tercantum pada label tipe produk.

**Indonesia**

PT Robert Bosch  
 Palma Tower 10<sup>th</sup> Floor  
 Jl. RA Kartini II-S Kaveling 6 Sek II  
 Pondok Pinang, Kebayoran Lama  
 Jakarta Selatan 12310  
 Tel.: (021) 3005 5800  
 Fax: (021) 3005 5801  
 E-Mail: boschpowertools@id.bosch.com  
 www.bosch-pt.co.id

**Cara membuang**

Perkakas listrik, aksesoris dan kemasan sebaiknya didaur ulangkan sesuai dengan upaya untuk melindungi lingkungan hidup.



Janganlah membuang perkakas listrik dalam sampah rumah tangga!

Perubahan dapat terjadi tanpa pemberitahuan sebelumnya.

**Tiếng Việt****Các Nguyên Tắc An Toàn****Tổng hợp Cảnh báo An toàn Dụng cụ Điện Cẩm tay**

**⚠ CẢNH BÁO** Hãy đọc toàn bộ các cảnh báo an toàn, hướng dẫn, hình ảnh và thông số kỹ thuật được cung cấp cho dụng cụ điện cầm tay này. Không tuân thủ mọi hướng dẫn được liệt kê dưới đây có thể bị điện giật, gây cháy và/hay bị thương tật nghiêm trọng.

Lưu giữ toàn bộ các cảnh báo và hướng dẫn để tham khảo trong tương lai.

Thuật ngữ “dụng cụ điện cầm tay” trong các cảnh báo để viện dẫn tới dụng cụ cầm tay có vận hành điện (có dây) hoặc vận hành bằng pin (không dây).

**⚠ CẢNH BÁO** Khi sử dụng dụng cụ điện, người sử dụng phải luôn luôn tuân theo các cách để phòng an toàn cơ bản để làm giảm nguy cơ cháy, điện giật hay gây thương tích cho bản thân, kể cả việc sau đây. Đọc tất cả các hướng dẫn này trước khi dự định thử vận hành sản phẩm này và hãy giữ lại các hướng dẫn này.

**Khu vực làm việc an toàn**

- ▶ **Giữ nơi làm việc sạch và đủ ánh sáng.** Nơi làm việc bừa bộn và tối tăm dễ gây ra tai nạn.
- ▶ **Không vận hành dụng cụ điện cầm tay trong môi trường dễ gây nổ, chẳng hạn như nơi có chất lỏng dễ cháy, khí đốt hay rác.** Dụng cụ

điện cầm tay tạo ra các tia lửa nên có thể làm rác bén cháy hay bốc khói.

- ▶ **Không để trẻ em hay người đến xem đứng gần khi vận hành dụng cụ điện cầm tay.** Sự phân tâm có thể gây ra sự mất điều khiển.

**An toàn về điện**

- ▶ **Phích cắm của dụng cụ điện cầm tay phải thích hợp với ổ cắm. Không bao giờ được cải biến lại phích cắm dưới mọi hình thức. Không được sử dụng phích tiếp hợp nối tiếp đất (dây mát).** Phích cắm nguyên bản và ổ cắm đúng loại sẽ làm giảm nguy cơ bị điện giật.
- ▶ **Tránh không để thân thể tiếp xúc với đất hay các vật có bề mặt tiếp đất như đường ống, lò sưởi, hàng rào và tủ lạnh.** Có nhiều nguy cơ bị điện giật hơn nếu cơ thể bạn bị tiếp hay nối đất.
- ▶ **Không được để dụng cụ điện cầm tay ngoài mưa hay ở tình trạng ẩm ướt.** Nước vào máy sẽ làm tăng nguy cơ bị điện giật.
- ▶ **Không được lạm dụng dây dẫn điện. Không bao giờ được nắm dây dẫn để xách, kéo hay rút phích cắm dụng cụ điện cầm tay. Không để dây gần nơi có nhiệt độ cao, dầu nhớt, vật nhọn bén hay bộ phận chuyển động.** Làm hỏng hay cuộn rối dây dẫn làm tăng nguy cơ bị điện giật.
- ▶ **Khi sử dụng dụng cụ điện cầm tay ngoài trời, dùng dây nối thích hợp cho việc sử dụng ngoài trời.** Sử dụng dây nối thích hợp cho việc sử dụng ngoài trời làm giảm nguy cơ bị điện giật.
- ▶ **Nếu việc sử dụng dụng cụ điện cầm tay ở nơi ẩm ướt là không thể tránh được, dùng thiết bị ngắt mạch tự động (RCD) bảo vệ nguồn.** Sử dụng thiết bị ngắt mạch tự động RCD làm giảm nguy cơ bị điện giật.

**An toàn cá nhân**

- ▶ **Hãy tỉnh táo, biết rõ mình đang làm gì và hãy sử dụng ý thức khi vận hành dụng cụ điện cầm tay. Không sử dụng dụng cụ điện cầm tay khi đang mệt mỏi hay đang bị tác động do chất gây nghiện, rượu hay dược phẩm gây ra.** Một thoáng mất tập trung khi đang vận hành dụng cụ điện cầm tay có thể gây thương tích nghiêm trọng cho bản thân.
- ▶ **Sử dụng trang bị bảo hộ cá nhân. Luôn luôn đeo kính bảo vệ mắt.** Trang bị bảo hộ như khẩu trang, giày chống trượt, nón bảo hộ, hay dụng cụ bảo vệ tai khi được sử dụng đúng nơi đúng chỗ sẽ làm giảm nguy cơ thương tật cho bản thân.
- ▶ **Phòng tránh máy khởi động bất ngờ. Bảo đảm công tắc máy ở vị trí tắt trước khi cắm vào nguồn điện và/hay lắp pin vào, khi nhắc máy lên hay khi mang xách máy.** Ngáng ngón tay vào công tắc máy để xách hay kích hoạt dụng cụ

## 40 | Tiếng Việt

điện cầm tay khi công tắc ở vị trí mở để dẫn đến tai nạn.

- ▶ **Lấy mọi chìa hay khóa điều chỉnh ra trước khi mở điện dụng cụ điện cầm tay.** Khóa hay chìa còn gắn dính vào bộ phận quay của dụng cụ điện cầm tay có thể gây thương tích cho bản thân.
- ▶ **Không rướn người. Luôn luôn giữ tư thế đứng thích hợp và thẳng bằng.** Điều này tạo cho việc điều khiển dụng cụ điện cầm tay tốt hơn trong mọi tình huống bất ngờ.
- ▶ **Trang phục thích hợp. Không mặc quần áo rộng lủng thùng hay mang trang sức. Giữ tóc và quần áo xa khỏi các bộ phận chuyển động.** Quần áo rộng lủng thùng, đồ trang sức hay tóc dài có thể bị cuốn vào các bộ phận chuyển động.
- ▶ **Nếu có các thiết bị đi kèm để nối máy hút bụi và các phụ kiện khác, bảo đảm các thiết bị này được nối và sử dụng tốt.** Việc sử dụng các thiết bị gom hút bụi có thể làm giảm các độc hại liên quan đến bụi gây ra.
- ▶ **Không để thói quen do sử dụng thường xuyên dụng cụ khiến bạn trở nên chủ quan và bỏ qua các quy định an toàn dụng cụ.** Một hành vi bất cẩn có thể gây ra thương tích nghiêm trọng chỉ trong tích tắc.

### Sử dụng và bảo dưỡng dụng cụ điện cầm tay

- ▶ **Không được ép máy. Sử dụng dụng cụ điện cầm tay đúng loại theo đúng ứng dụng của bạn.** Dụng cụ điện cầm tay đúng chức năng sẽ làm việc tốt và an toàn hơn theo đúng tiến độ mà máy được thiết kế.
- ▶ **Không sử dụng dụng cụ điện cầm tay nếu như công tắc không tắt và mở được.** Bất kỳ dụng cụ điện cầm tay nào mà không thể điều khiển được bằng công tắc là nguy hiểm và phải được sửa chữa.
- ▶ **Rút phích cắm ra khỏi nguồn điện và/hay pin ra khỏi dụng cụ điện cầm tay nếu có thể tháo được, trước khi tiến hành bất kỳ điều chỉnh nào, thay phụ kiện, hay cất dụng cụ điện cầm tay.** Các biện pháp ngăn ngừa như vậy làm giảm nguy cơ dụng cụ điện cầm tay khởi động bất ngờ.
- ▶ **Cất giữ dụng cụ điện cầm tay không dùng tới nơi trẻ em không lấy được và không cho người chưa từng biết dụng cụ điện cầm tay hay các hướng dẫn này sử dụng dụng cụ điện cầm tay.** Dụng cụ điện cầm tay nguy hiểm khi ở trong tay người chưa được chỉ cách sử dụng.
- ▶ **Bảo quản dụng cụ điện cầm tay và các phụ kiện. Kiểm tra xem các bộ phận chuyển động có bị sai lệch hay kẹt, các bộ phận bị rạn nứt và các tình trạng khác có thể ảnh hưởng đến sự vận hành của máy. Nếu bị hư hỏng, phải**

**sửa chữa máy trước khi sử dụng.** Nhiều tai nạn xảy ra do bảo quản dụng cụ điện cầm tay tồi.

- ▶ **Giữ các dụng cụ cắt bén và sạch.** Bảo quản đúng cách các dụng cụ cắt có cạnh cắt bén làm giảm khả năng bị kẹt và dễ điều khiển hơn.
- ▶ **Sử dụng dụng cụ điện cầm tay, phụ kiện, đầu cài v. v., đúng theo các chỉ dẫn này, hãy lưu ý đến điều kiện làm việc và công việc phải thực hiện.** Sử dụng dụng cụ điện cầm tay khác với mục đích thiết kế có thể tạo nên tình huống nguy hiểm.
- ▶ **Giữ tay cầm và bề mặt nắm luôn khô ráo, sạch sẽ và không dính dầu mỡ.** Tay cầm và bề mặt nắm trơn trượt không đem lại thao tác an toàn và kiểm soát dụng cụ trong các tình huống bất ngờ.

### Bảo dưỡng

- ▶ **Đưa dụng cụ điện cầm tay của bạn đến thợ chuyên môn để bảo dưỡng, chỉ sử dụng phụ tùng đúng chủng loại để thay.** Điều này sẽ đảm bảo sự an toàn của máy được giữ nguyên.

### Các lưu ý an toàn cho các máy mài để bàn

- ▶ **Không được sử dụng các phụ kiện đã bị hư hỏng. Trước mỗi lần sử dụng, kiểm tra đá mài xem có bị nứt mẻ hay nứt không. Nếu như máy hay phụ kiện bị rơi xuống, kiểm tra xem có bị hư hại hay lắp dụng cụ ứng dụng còn tốt vào. Sau khi kiểm tra và lắp dụng cụ ứng dụng vào, đặt tư thế của bạn và người đứng gần bên tránh xa khỏi phương ngang bằng của của dụng cụ ứng dụng đang quay, và cho dụng cụ điện chạy ở tốc độ tối đa không tải trong một phút. Dụng cụ ứng dụng đã bị hư hại thường sẽ bị vỡ tung trong thời gian chạy thử này.**
- ▶ **Tốc độ danh định của phụ tùng phải ít nhất là bằng với tốc độ tối đa được ghi trên dụng cụ điện cầm tay.** Phụ tùng chạy nhanh hơn tốc độ danh định của chúng có thể văng vỡ ra.
- ▶ **Không mài trên các cạnh của đĩa mài.** Việc mài trên các cạnh có thể làm vỡ các đĩa mài và làm tháo rời các đĩa ra.

**Hãy mang kính bảo hộ.**



- ▶ **Bảo quản an toàn cho máy và dụng cụ gài khi không sử dụng. Nơi bảo quản máy phải khô ráo và có thể khóa lại được.** Điều này phòng tránh cho máy không bị hư hại khi lưu kho, và ngăn người chưa được học cách sử dụng vận hành.



- ▶ **Kiểm tra dây cáp dẫn điện thường xuyên và sử dụng sửa chữa dây cáp bị hỏng chỉ được thông qua một đại lý ủy quyền dịch vụ khách hàng dụng cụ điện Bosch. Thay dây cáp nối dài bị hư hỏng.** Điều này sẽ đảm bảo cho sự an toàn của dụng cụ điện được giữ nguyên.
- ▶ **Nối máy với điện nguồn có dây nối đất thích hợp.** Ổ cắm điện và dây nối phải được trang bị thiết bị bảo vệ phần dẫn điện khi hoạt động.
- ▶ **Giữ nơi làm việc của bạn gọn gàng.** Vật liệu có cấu tạo hỗn hợp là đặc biệt nguy hiểm. Bụi từ hợp kim nhẹ có thể cháy hay nổ.
- ▶ **Bảo vệ dụng cụ mài không bị va đập, va chạm mạnh hay dính dầu mỡ.**

## Các Biểu Tượng

Các biểu tượng sau đây có khả năng diễn đạt ý nghĩa về cách sử dụng dụng cụ điện cầm tay của bạn. Xin vui lòng ghi nhận các biểu tượng và ý nghĩa của chúng. Sự hiểu đúng các biểu tượng sẽ giúp bạn sử dụng máy một cách tốt và an toàn hơn.

### Biểu tượng và ý nghĩa của chúng



**Đặt tay của bạn ra khỏi phạm vi của đá mài khi máy đang hoạt động.**  
Nguy cơ bị thương tích trong trường hợp tiếp xúc với đá mài.



**Mang dụng cụ bảo vệ tai.** Để tai trần tiếp xúc với tiếng ồn có thể gây mất thính giác.



**Hãy mang kính bảo hộ.**



**Hãy mang mặt nạ chống bụi.**



**Hãy mang găng tay bảo hộ.**

## Mô Tả Sản Phẩm và Đặc Tính Kỹ Thuật



**Đọc kỹ mọi cảnh báo an toàn và mọi hướng dẫn.** Không tuân thủ mọi cảnh báo và hướng dẫn được liệt kê dưới đây có thể bị điện giật, gây cháy và/hay bị thương tật nghiêm trọng.

### Dành sử dụng cho

Máy được thiết kế để mài bén dụng cụ cũng như dùng để mài và đánh gỉ kim loại. Máy có thể chỉ được sử dụng để hoạt động trong khoảng thời gian ngắn (60 phút tối đa).

### Biểu trưng của sản phẩm

Sự đánh số các biểu trưng của sản phẩm là để tham khảo hình minh họa của máy trên trang hình ảnh.

- 1 Chụp che
- 2 Đai ốc chặn
- 3 Bích kẹp
- 4 Bích lắp
- 5 Trục máy mài
- 6 Chấn bảo vệ lưỡi cắt
- 7 Lỗ lắp bắt
- 8 Công tắc Tắt/Mở
- 9 Chia vận miệng mở \*
- 10 Bộ phận lắp bắt chặn ngăn tia lửa
- 11 Chấn ngăn tia lửa
- 12 Giá đỡ chi tiết gia công

\*Phụ tùng được trình bày hay mô tả không phải là một phần của tiêu chuẩn hàng hóa được giao kèm theo sản phẩm. Bạn có thể tham khảo tổng thể các loại phụ tùng, phụ kiện trong chương trình phụ tùng của chúng tôi.

### Thông số kỹ thuật

Máy mài bàn hai đá	GBG 35-15	
Mã số máy		3 601 B7A 3..
Công suất vào danh định P1	W	350
Công suất ra P2		
- 50 Hz	W	240
- 60 Hz	W	250
Chế Độ Hoạt Động *		S2 (60 min.)
Tốc độ không tải		
- 50 Hz	v/p	3000
- 60 Hz	v/p	3600

Các giá trị đã cho có hiệu lực cho điện thế danh định [U] 230 V. Đối với điện thế thấp hơn và các loại máy dành riêng cho một số quốc gia, các giá trị này có thể thay đổi.

\* Chế độ hoạt động S2 (60 phút) được thiết kế cho hoạt động có thời gian ngắn, với thời gian hoạt động tối đa là 60 phút. Sau khoảng thời gian này, tắt máy và để cho máy nguội xuống.

## 42 | Tiếng Việt

Máy mài bàn hai đá	GBG 35-15	
Đường ren của trục máy mài		M 12
Đá mài		
- Đường kính	mm	150
- Chiều rộng	mm	20
- Lỗ lắp vào	mm	12,7/20
- Kích cỡ hạt		24/60
Mặt bích tiếp nhận		
- Lỗ lắp vào	mm	12,7
- Khe hở tối thiểu	mm	1,5
Trọng lượng theo Quy trình EPTA-Procedure 01:2014 (chuẩn EPTA 01:2014)	kg	10,0
Cấp độ bảo vệ		⊕/I

Các giá trị đã cho có hiệu lực cho điện thế danh định [U] 230 V. Đối với điện thế thấp hơn và các loại máy dành riêng cho một số quốc gia, các giá trị này có thể thay đổi.

\* Chế độ hoạt động S2 (60 phút) được thiết kế cho hoạt động có thời gian ngắn, với thời gian hoạt động tối đa là 60 phút. Sau khoảng thời gian này, tắt máy và để cho máy nguội xuống.

## Sự lắp vào

- ▶ **Trước khi tiến hành bất cứ việc gì trên máy, kéo phích cắm điện nguồn ra.**
- Hãy gắn chặt dụng cụ điện lên bốn lỗ khoan tương ứng 7 bằng các vít phù hợp tại bàn máy/bề mặt làm việc.

## Lắp Chắn Ngăn Tia Lửa/Giá Đỡ Chi Tiết Gia Công (xem hình A–D)

- ▶ **Chỉ sử dụng dụng cụ điện có dụng cụ chống tia lửa 11 và vận xuống dưới hết mức có thể.** Các tia lửa tóe ra có thể làm tổn thương mắt hoặc làm bắt lửa các đồ vật xung quanh.
- ▶ **Chỉ sử dụng dụng cụ điện có tấm đỡ phôi gia công. Không trao đổi các tấm đỡ phôi gia công bên trái và bên phải 12.** Khoảng cách giữa tấm đỡ phôi gia công 12 và đĩa mài quá lớn. Khi khoảng cách lớn bạn sẽ không được bảo vệ đầy đủ trước tia lửa bay ra. Phôi gia công có thể được kéo vào qua chuyển động xoay của đĩa mài và có thể dẫn đến thương tích.
- Lắp phần lắp bắt chắn ngăn tia lửa 10 bằng hai vít.
- Bắt chắn ngăn tia lửa 11 vào phần lắp bắt chắn ngăn tia lửa 10.
- Lắp giá đỡ chi tiết gia công 12 như đã trình bày trong hình.
- ▶ **Thường xuyên kiểm tra khoảng hở giữa giá đỡ chi tiết gia công 12 cũng như phần lắp bắt chắn ngăn tia lửa 10, lấy đá mài làm điểm chuẩn, và điều chỉnh lại nếu như thấy cần. Khoảng hở đối với đá mài có thể không được**

**vượt quá 2 mm.** Khi khoảng hở lớn hơn, bạn không thể bảo vệ, ngăn các tia lửa một cách đầy đủ. Vật gia công có thể bị cuốn vào do động tác quay tròn của đá mài, và dẫn đến việc bị thương tích.

## Thay Đá Mài

- ▶ **Trước khi tiến hành bất cứ việc gì trên máy, kéo phích cắm điện nguồn ra.**
- ▶ **Tốc độ danh định của phụ tùng phải ít nhất là bằng với tốc độ tối đa được ghi trên dụng cụ điện cầm tay.** Phụ tùng chạy nhanh hơn tốc độ danh định của chúng có thể văng vỡ ra.
- ▶ **Các đĩa mài, mà có đường kính vượt quá thông số trên dụng cụ điện, sẽ không được phép dùng.**

Thay đá mài khi phần lắp bắt của chắn ngăn tia lửa 10 không thể điều chỉnh thêm được nữa cho khoảng hở cần thiết 2 mm (tối đa) đối với đá mài.

- Hãy nới lỏng 3 vít trên nắp 1 và tháo nắp ra 1. Hãy giữ chặt trục mài 5 bằng chia vận hình đĩa 9 và vận tháo đai ốc siết 2 ra khỏi trục mài 5.

**Ghi Chú:** Trục máy mài 5 bên phía trái của máy có vòng ren trái.

- Tháo bích kẹp 3 và đá mài 5 ra khỏi trục máy mài.
- Đá mài mới được lắp vào theo cách ngược lại. Lắp chụp che 1 thật chắc lên trên vỏ máy và siết chặt 3 vít lại.

- ▶ **Chỉ sử dụng dụng cụ điện có các dụng cụ lắp vào đã được lắp trên cả hai trục.** Nhờ đó có thể tránh được tiếp xúc với trục xoay.

Chỉnh sửa mặt ngoài hay đá mài chạy lệch tâm bằng đá mài đầu (phụ kiện) trước khi tiếp tục sử dụng chúng.

## Hút Dăm/Bụi

- ▶ Mạt bụi từ các vật liệu được sơn phủ ngoài có chứa chì trên một số loại gỗ, khoáng vật và kim loại có thể gây nguy hại đến sức khỏe con người. Đụng chạm hay hít thở các bụi này có thể làm người sử dụng hay đứng gần bị dị ứng và/hoặc gây nhiễm trùng hệ hô hấp. Một số mạt bụi cụ thể, ví dụ như bụi gỗ sồi hay dầu, được xem là chất gây ung thư, đặc biệt là có liên quan đến các chất phụ gia dùng xử lý gỗ (chất cromat, chất bảo quản gỗ). Có thể chỉ nên để thợ chuyên môn gia công các loại vật liệu có chứa amiăng.
  - Tạo không khí thông thoáng nơi làm việc.
  - Khuyến nghị nên mang mặt nạ phòng độc có bộ lọc cấp P2.
- Tuân thủ các quy định của quốc gia bạn liên quan đến loại vật liệu gia công.

- ▶ **Tránh không để rác tích tụ tại nơi làm việc.** Rác có thể dễ dàng bắt lửa.

## Vận Hành

### Bắt Đầu Vận Hành

- ▶ **Tuân thủ theo đúng điện thế! Điện thế nguồn phải đúng với điện thế đã ghi rõ trên nhãn máy.**
- ▶ **Kiểm tra dụng cụ mài trước khi sử dụng. Dụng cụ mài phải được lắp vào đúng cách và phải quay được tự do. Thực hiện việc chạy thử ở tốc độ tối đa không tải trong 1 phút (tối thiểu) ở không gian an toàn. Không được sử dụng dụng cụ mài bị hỏng, chạy lệch tâm hay rung lắc. Đá mài bị hư hỏng có thể vỡ tung và gây ra thương tích.**

### Bật Mở và Tắt

Để tiết kiệm năng lượng, chỉ cho dụng cụ điện hoạt động khi sử dụng.

- Để **mở** máy, đẩy công tắc Tắt/Mở **8** về vị trí "I".
- Để **tắt** máy, đẩy công tắc Tắt/Mở **8** về vị trí "0".

### Hướng Dẫn Sử Dụng

- ▶ **Hãy mang tạp dề lao động. Hãy lưu ý không để những người khác gặp phải nguy hiểm do các tia lửa bắn ra. Di dời các vật dễ cháy gần đó ra chỗ khác.** Các tia lửa bắn ra phát sinh khi cắt kim loại.
- ▶ **Không bao giờ được với vào bên trong đá mài đang quay của máy.** Điều này có thể gây ra thương tích nghiêm trọng.
- ▶ **Gia tải vật gia công vào chỉ khi máy đã đang hoạt động, và không được tắt máy cho đến sau khi đã lấy vật gia công ra.** Vật gia công có thể chuyển dịch bất ngờ.

Dùng đá mài silic cacbua C (phụ kiện) khi làm việc với vật gia công có chất liệu cacbua (TC).

Bảo vệ dụng cụ mài không bị va đập, va chạm mạnh hay dính dầu mỡ.

- Đặt chi tiết gia công sẽ được mài lên trên giá đỡ chi tiết gia công **12** và áp vào với áp lực vừa phải lên đá mài. Để đạt được hiệu quả tốt nhất, di chuyển vật gia công tới lui nhẹ nhàng. Điều này cũng bảo đảm cho đá mài bị mòn một cách đồng đều.
- Thỉnh thoảng nhúng vật gia công vào nước để làm nguội.

## Vận Chuyển

- Tháo tất cả các linh kiện mà không thể bắt chặt được vào dụng cụ điện.
- Quấn hết dây điện lại và buộc nó lại với nhau.
- Hãy giữ dụng cụ điện để nâng hoặc vận chuyển từ dưới lên cả hai nắp bảo vệ **6**. Trong vùng các lỗ khoan để lắp **7** bạn có thể đỡ dụng cụ điện.
- ▶ **Không sử dụng dụng cụ chống tia lửa 11 hoặc tấm đỡ phối gia công 12 khi vận chuyển dụng cụ điện.**

## Bảo Dưỡng và Bảo Quản

### Bảo Dưỡng Và Làm Sạch

- ▶ **Trước khi tiến hành bất cứ việc gì trên máy, kéo phích cắm điện nguồn ra.**
- ▶ **Để được an toàn và máy hoạt động đúng chức năng, luôn luôn giữ máy và các khe thông gió được sạch.**

Nếu như cần phải thay dây dẫn điện thì công việc này phải do hãng Bosch, hay một đại lý được Bosch ủy nhiệm thực hiện để tránh gặp sự nguy hiểm do mất an toàn.

### Dịch Vụ Sau Khi Bán và Dịch Vụ Ứng Dụng

Bộ phận phục vụ hàng sau khi bán của chúng tôi sẽ trả lời các câu hỏi liên quan đến việc bảo trì và sửa chữa các sản phẩm cũng như các phụ tùng thay thế của bạn. Hình ảnh chi tiết và thông tin phụ tùng thay thế có thể tìm hiểu theo địa chỉ dưới đây:

**[www.bosch-pt.com](http://www.bosch-pt.com)**

Bộ phận dịch vụ ứng dụng Bosch sẽ hân hạnh trả lời các câu hỏi liên quan đến các sản phẩm của chúng tôi và linh kiện của chúng.

Trong tất cả các phản hồi và đơn đặt phụ tùng, xin vui lòng luôn luôn nhập số hàng hóa 10 chữ số theo nhãn của hàng hóa.

### Việt Nam

CN Cty TNHH Bosch Vietnam tại TP. Hồ Chí Minh  
Tầng 10, Tòa nhà 194 Golden  
473 Điện Biên Phủ  
Phường 25, Quận Bình Thạnh  
Tp. Hồ Chí Minh  
Tel.: (08) 6258 3690  
Fax: (08) 6258 3692  
Hotline: (08) 6250 8555  
[www.bosch-pt.com.vn](http://www.bosch-pt.com.vn)

## 44 | Tiếng Việt

### Campuchia

Công ty TNHH Robert Bosch (Campuchia)  
Đơn nguyên 8BC, GT Tower, Tầng 08,  
Đường 169, Tiệp Khắc Blvd, Sangkat Veal Vong,  
Khan 7 Makara, Phnom Penh  
VAT TIN : 100 169 511  
Tel.: +855 23 900 685  
Tel.: +855 23 900 660  
www.bosch.com.kh

### Thải bỏ

Máy, linh kiện và bao bì phải được phân loại để tái chế theo hướng thân thiện với môi trường.



Không được thải bỏ dụng cụ điện vào chung với rác sinh hoạt!

**Được quyền thay đổi nội dung mà không phải thông báo trước.**

**الإمارات العربية المتحدة**

Central Motors &amp; Equipment LLC

البريد: 1984

شارع الوحدة - مبنى السناء  
الشارقة

هاتف: +971 6 593 2777

فاكس: +971 6 533 2269

البريد الإلكتروني: powertools@centralmotors.ae

**اليمن**

مجموعة أبو الرجال التجارية

شارع سناء الزبيري أمام مبنى البرلمان الجديد

هاتف: +967 1 202010

فاكس: +967 1 279029

البريد الإلكتروني: tech-tools@abualrejal.com

**التخلص من العدة الكهربائية**

ينبغي التخلص من العدة الكهربائية والتوابع والغلاف بطريقة منصفة للبيئة عن طريق النفايات القابلة لإعادة التصنيع.

لا ترمم العدة الكهربائية في النفايات المنزلية!



ننتظ بحق إدخال التعديلات.

**خدمة الزبائن ومشورة الاستخدام**

يجيب مركز خدمة الزبائن على أسئلتكم بصدق وتصليح وصيانة المنتج وأيضا بما يخص قطع الغيار. يعثر على الرسوم الممددة وعلى المعلومات عن قطع الغيار بموقع:

[www.bosch-pt.com](http://www.bosch-pt.com)

سيكون من دواعي سرور فرقة مشورة الاستخدام بشركة بوش أن تساعدكم بخصوص الأسئلة عن منتجاتنا وتوابعها.

يلزم ذكر رقم الصنف ذو الخانات العشر وفقا للوحة صنع المنتج عند إرسال أية استفسارات أو طلبيات قطع غيار.

**الجزائر**

سيستال

المنطقة الصناعية احدادن

بجاية 06000

هاتف: +213 (0) 982 400 991/2

فاكس: +213 (0) 3 420 1569

البريد الإلكتروني: [sav@siestal-dz.com](mailto:sav@siestal-dz.com)

**البحرين**

حاتم الجفالي للمعدات الفنية

مملكة البحرين

هاتف: +966 126971777-311

فاكس: +973 17704257

البريد الإلكتروني: [h.berjas@eajb.com.sa](mailto:h.berjas@eajb.com.sa)

**مصر**

يونيمار

رقم 20 مركز الخدمات

التجمع الاول - القاهرة الجديدة - مصر

هاتف: +2 02 224 76091-95/+ 2 02 224 78072-73

فاكس: +2 02 224 78075

البريد الإلكتروني: [adelzaki@unimaregypt.com](mailto:adelzaki@unimaregypt.com)

**العراق**

مجموعة شركات الصهبا للتكنولوجيا

شارع مطار المثنى

بغداد

هاتف: +964 7901906953

هاتف (دبي): +971 43973851

البريد الإلكتروني: [bosch@sahbatechnology.com](mailto:bosch@sahbatechnology.com)

**الأردن**

Roots Arabia - Jordan

شارع ناصر بن جميل

بناية رقم 37 الرابعة

عمان 11194

هاتف: +962 6 5545778

البريد الإلكتروني: [bosch@rootsjordan.com](mailto:bosch@rootsjordan.com)

**الكويت**

القرين لتجارة السيارات

المنطقة الصناعية شويف

البريد: 164 - صفت 13002

هاتف: +966 24810844

فاكس: +966 24810879

البريد الإلكتروني: [josephkr@aaalmutawa.com](mailto:josephkr@aaalmutawa.com)

**لبنان**

Tehini Hana & Co. S. A. R. L.

بريد: 499-90 جديد

دورا بيروت

هاتف: +961 125211

البريد الإلكتروني: [service-pt@tehini-hana.com](mailto:service-pt@tehini-hana.com)

**المغرب**

شركة روبرت بوش المحدودة بالمغرب

53، زنقة الملازم محمد محروس

20300 الدار البيضاء

البريد الإلكتروني: [sav.outillage@ma.bosch.com](mailto:sav.outillage@ma.bosch.com)

**عمان**

Malatan Trading & Contracting LLC

البريد: 131

سلطنة عمان

هاتف: +968 99886794

البريد الإلكتروني: [malatanpowertools@malatan.net](mailto:malatanpowertools@malatan.net)

**قطر**

International Construction Solutions W L L

البريد: 51 الدوحة

قطر

هاتف: +974 40065458

فاكس: +974 4453 8585

البريد الإلكتروني: [csd@icsdoha.com](mailto:csd@icsdoha.com)

**المملكة العربية السعودية**

إبراهيم الجفالي وأخوانه للمعدات الفنية

البوادي

شارع المدينة المنورة، كيلو 14

جدة 21431، المملكة العربية السعودية

هاتف: +966 2 667222

فاكس: +966 2 6676308

البريد الإلكتروني: [roland@eajb.com.sa](mailto:roland@eajb.com.sa)

**سوريا**

شركة الدلال للأدوات الفنية

البريد: 1030

حلب

هاتف: +963 212116083

البريد الإلكتروني: [rita.dallal@hotmail.com](mailto:rita.dallal@hotmail.com)

**تونس**

شركة روبرت بوش المحدودة بتونس

7 شارع ابن بطوطة زد. أي. سان جوبان

مقرين الرياض

2014 بن عروس

هاتف: +216 71 427 496/879

فاكس: +216 71 428 621

البريد الإلكتروني: [sav.outillage@tn.bosch.com](mailto:sav.outillage@tn.bosch.com)

◀ افحص عدد الجلج قبل الاستعمال. يجب أن تكون عدة الجلج مركبة بشكل سليم وأن تتمكن من الدوران بطلاقة. شغلها تشغيلاً تجريبياً لمدة دقيقة واحدة على الأقل وبعدد الدوران الأقصى دون تحميلها. لا تستخدم عدد الجلج التالفة أو الغير دائرية أو المهترئة. إن عدد الجلج التالفة قد تنفلق لتؤدي إلى حدوث الإصابات.

### التشغيل والإطفاء

- شغل العدة الكهربائية فقط عندما تستخدمها، من أجل توفير الطاقة.
- من أجل تشغيل العدة الكهربائية يقلب مفتاح التشغيل والإطفاء 8 إلى المركز "I".
- من أجل إطفاء العدة الكهربائية يقلب مفتاح التشغيل والإطفاء 8 إلى المركز "0".

### ملاحظات شغل

- ◀ ارتد مريول عمل. احرص على عدم تعرض الأشخاص للخطر من خلال تطاير الشرر. أبعد المواد القابلة للاحتراق عن الجوار. يتطاير الشرر عند جلج المعادن.
- ◀ لا تمد يدك إلى قرص جلج العدة الكهربائية الدوار أبداً. قد يؤدي ذلك إلى الإصابات الشديدة.
- ◀ وجه قطعة الشغل نحو العدة الكهربائية بعد تشغيلها فقط ولا تطغى العدة الكهربائية إلا بعد رفع قطعة الشغل عنها. يحتمل أن تتحرك قطعة الشغل فجأة.
- استخدم أقراص الجلج من كريد السيليونيوم C (توايح) لمعالجة قطع الشغل المصنوعة من المعدن الصلب.
- ضع قطعة الشغل المرغوب جلجها على مسند قطعة الشغل 12 واضغطها بخفة ضد قرص الجلج. حرك قطعة الشغل قليلاً جيئةً وذهاباً للتوصل إلى نتائج الجلج المثالية. كما يتم استهلاك قرص الجلج بطريقة متساوية بهذا الشكل.
- قم بتبريد قطعة الشغل بالماء من وقت لآخر.

### النقل

- أبعد جميع قطع التوايح التي لا يمكن تثبيتها بالعدة الكهربائية بإحكام.
- قم بلف كابل الكهرباء بالكامل واحزمه.
- لغرض الرفع أو النقل أمسك العدة الكهربائية من أسفل من غطائي الوفاية 6. يمكن تدعيم العدة الكهربائية في نطاق التجاوبف الخاصة بالتركيب 7.
- ◀ عند نقل العدة الكهربائية لا تقم أبداً باستخدام وافية الشرر 11 أو مسند قطعة الشغل 12.

## الصيانة والخدمة

### الصيانة والتنظيف

- ◀ اسحب القابس من مقبس الشبكة الكهربائية قبل إجراء أي عمل على العدة الكهربائية.
- ◀ حافظ دائماً على نظافة العدة الكهربائية وشقوق التهوية للعمل بشكل جيد وأمن.

إن تطلب الأمر استبدال خط الامداد، فينبغي أن يتم ذلك من قبل شركة بوش أو من قبل مركز خدمة زبائن وكالة بوش للعدد الكهربائية، لتجنب التعرض للمخاطر.

## استبدال أقراص الجلج

- ◀ اسحب القابس من مقبس الشبكة الكهربائية قبل إجراء أي عمل على العدة الكهربائية.
- ◀ يجب أن توافق قيمة عدد دوران عدة الشغل المسموع به على الأقل قيمة عدد الدوران الأقصى المذكور على العدة الكهربائية. إن التوايح التي تدور بسرعة تزيد عن السرعة المسموعة، قد تنكسر وتطاير.
- ◀ لا يسمع باستخدام أقراص التجلج التي يتخطى قرصها القيمة المذكورة على العدة الكهربائية.
- استبدل قرص الجلج إن لم يعد حامل وافية الشرر 10 يمسح بضبطه على مسافة البعد المطلوبة عن قرص الجلج البالغة 2 مم على الأقصى.
- قم بحل اللوالب الثلاثة الموجودة بالغطاء 1 واخلع الغطاء 1. قم بتثبيت محور دوران الجلاخة 5 عن طريق مفتاح هلالتي 9 و قم بفكصامولة الشد 2 من محور دوران الجلاخة 5.
- ملاحظة: إن أسنان قلوطة محور دوران الجلاخة 5 الخارج عن العدة الكهربائية من الجانب اليساري يسارية الاتجاه.
- فك شفة الشد 3 وقرص الجلج عن محور دوران الجلاخة 5.
- يتم تركيب قرص الجلج الجديد بالتسلسل المعاكس. ركب الغطاء 1 بضغط قوي ونيته بواسطة اللوالب الثلاثة.
- ◀ لا تستخدم العدة الكهربائية إلا عندما تكون عدد الشغل مركبة على جانبي محور الدوران. وبهذا يتم تجنب ملامسة محور الدوران أثناء دورانه.
- قم بتسوية أقراص الجلج المستهلكة والغير دائرية بواسطة حجر شمد (توايح) قبل المتابعة باستخدامها.

### شفط الغبار/النشارة

- ◀ إن أغبرة بعض المواد كالطلاء الذي يحتوي على الرصاص، وبعض أنواع الخشب والفلزات والمعادن، قد تكون مضرّة بالصحة. إن ملامسة أو استنشاق الأغبرة قد يؤدي إلى ردود فعل زائدة الحساسية و/أو إلى أمراض المجاري التنفسية لدى المستخدم أو لدى الأشخاص المتواجدين على مقربة من المكان.
- تعتبر بعض الأغبرة المعينة، كأغبرة البلوط والزنان بأنها مسببة للسرطان، ولا سيما بالاتصال مع المواد الإضافية لمعالجة الخشب (ملح حامض الكروميك، المواد المافظلة للخشب). يجوز أن يتم معالجة المواد التي تحتوي على الأسيستوس من قبل العمال المتخصصين فقط دون غيرهم.
- حافظ على تهوية مكان الشغل بشكل جيد.
- ينصح بارتداء قناع وقاية للتنفس بفتة المرشح P2.
- تراعى الأحكام السارية في بلدكم بالنسبة للمواد المرغوب معالجتها.
- ◀ تجنب تراكم الغبار بمكان العمل. يجوز أن تشتعل الأغبرة بسهولة.

## التشغيل

### بدء التشغيل

- ◀ انتبه إلى جهد الشبكة الكهربائية! يجب أن يتطابق جهد منبع التيار مع المعلومات المذكورة على لائحة طراز الجهاز. يمكن أن يتم تشغيل العدد الكهربائية المحددة بـ 230 فولت بـ 220 فولت أيضاً.

آلة جليغ ثنائية		GBG 35-15
أقراص الجليغ		
- القطر	مم	150
- العرض	مم	20
- فجوة المضن	مم	12,7/20
- الميبيات		24/60
فلانشة التثبيت		
- فجوة المضن	مم	12,7
- أدنى تجويف	مم	1,5
الوزن حسب		
EPTA-Procedure 01:2014	كغ	10,0
فئة الوقاية		Ⓢ/I
القيم سارية المفعول لجهد اسمي [U] بمقدار 230 فولط. قد تتفاوت هذه القيم عندما يختلف الجهد عن ذلك أو بطرازات خاصة ببلدان معينة.		
* يصف نوع التشغيل(د60)S2 التشغيل لمدة قصيرة لمدة تشغيل قصوى تبلغ 60 د. اركن العدة الكهربائية بعد هذه المدة واطرها تبرد.		

## التركيب

◀ اسحب القابس من مقبس الشبكة الكهربائية قبل إجراء أي عمل على العدة الكهربائية.

- قم بتثبيت العدة الكهربائية من الثقوب الأربعة المقررة
- 7 على طاولة العمل / لوح العمل باستخدام لوابل مناسبة.

## تركيب واقية الشرر/مسند قطعة الشغل (تراجع الصور D - A)

◀ لا تستخدم العدة الكهربائية إلا مع واقية الشرر 11 وحركها إلى أسفل قدر الإمكان. قد يتسبب الشرر المتطاير في إصابة عينيك أو إشعال حريق في الأشياء الموجودة حولك.

◀ لا تستخدم العدة الكهربائية إلا مع مسند قطعة الشغل. لا تقم بتبديل مسند قطعة الشغل الأيمن والأيسر 12. وإلا ستصبح المسافة بين مسند قطعة الشغل 12 وقرص السنفرة كبيرة للغاية. عندما تصبح المسافة كبيرة لا تكون محميا بالقدر الكافي من تطاير الشرر. يمكن سحب قطعة الشغل من خلال حركة دوران قرص الجليغ مما قد يؤدي لوقوع حوادث.

- ركب حامل واقية الشرر 10 بواسطة اللولبين.

- اربط واقية الشرر 11 بحامل واقية الشرر 10.

◀ افحص المسافة بين مسند قطعة الشغل 12 أو حامل واقية الشرر 10 وقرص الجليغ بشكل منتظم واضبطها إن تطلب الأمر ذلك. لا يجوز أن يزيد بعد المسافة إلى قرص الجليغ عن 2 مم. لن يتم وقايتك من الشرر المتبعثر إن زادت مسافة البعد عن ذلك. قد يتم سحب قطعة الشغل للدخل من جراء حركة دوران قرص الجليغ مما سيؤدي إلى الإصابات.

## وصف المنتج والأداء

اقرأ جميع الملاحظات التحذيرية والتعليمات. إن ارتكاب الأخطاء عند تطبيق الملاحظات التحذيرية والتعليمات قد يؤدي إلى الصدمات الكهربائية، إلى نشوب الحرائق و/أو الإصابة بجرروح خطيرة.



## الاستعمال المخصص

لقد خصصت العدة الكهربائية لشحذ العدد وأيضا لجليغ وتمليس المعادن. يجوز استعمال العدة الكهربائية للتشغيل لمدة قصيرة فقط (لفترة أقصاها 60 د).

## الأجزاء المصورة

يستند ترقيم الأجزاء المصورة إلى رسوم العدة الكهربائية الموجودة في صفحة الرسوم التخطيطية.

- 1 القطا
- 2 صامولة شد
- 3 شفة شد
- 4 شفة وصل
- 5 محور دوران الجلاخة
- 6 غطاء الوقاية
- 7 ثقوب التركيب
- 8 مفتاح التشغيل والإطفاء
- 9 مفتاح ربط مفتوح الفك \*
- 10 حامل واقية الشرر
- 11 واقية الشرر
- 12 مسند قطعة الشغل

\* لا يتضمن إطار التوريد الاعتيادي التوابع المصورة أو الموصوفة. يعثر على التوابع الكاملة في برنامجنا للتوابع.

## البيانات الفنية

آلة جليغ ثنائية		GBG 35-15
رقم الصنف		3 601 B7A 3..
القدرة الاسمية المقنية P <sub>1</sub>	واط	350
القدرة المعطاة P <sub>2</sub>		
- 50 هرتز	واط	240
- 60 هرتز	واط	250
نوع التشغيل *		S2 (د60)
عدد الدوران اللامحلي		
- 50 هرتز	دقيقة <sup>1</sup>	3000
- 60 هرتز	دقيقة <sup>1</sup>	3600
أسنان لولبة محور دوران الجلاخة		M 12
القيم سارية المفعول لجهد اسمي [U] بمقدار 230 فولط. قد تتفاوت هذه القيم عندما يختلف الجهد عن ذلك أو بطرازات خاصة ببلدان معينة.		
* يصف نوع التشغيل(د60)S2 التشغيل لمدة قصيرة لمدة تشغيل قصوى تبلغ 60 د. اركن العدة الكهربائية بعد هذه المدة واطرها تبرد.		



- ◀ احتفظ بعدد الشغل والعدة الكهربائية التي لا يتم استعمالها في مكان آمن. يجب أن يكون مكان التخزين جافاً وقابلًا للخلق. يمنع ذلك تعرض العدة الكهربائية لأضرار بسبب تخزينها أو استخدامها من قبل أشخاص دون خبرة.
- ◀ افحص الكبل بشكل منتظم واسمح بتصليح الكبل التالف من قبل مركز خدمة وكالة شركة بوش للعدد الكهربائية فقط. استبدل كبلات التمديد التالفة. يؤمن ذلك المحافظة على أمان العدة الكهربائية.
- ◀ صل العدة الكهربائية بشبكة كهربائية مؤرضة بشكل نظامي. يجب أن يحتوي كل من المقبس وكابل التمديد على ناقل وقائي يعمل بشكل سليم.
- ◀ حافظ على نظافة مكان شغلك. إن خلاط المواد شديدة الخطورة. إن أغبرة المعادن الخفيفة قد تشتعل أو تنفجر.
- ◀ احث عدة الجلب من الصدمات والطرقات والشحوم.

## الرموز

قد تكون الرموز التالية ذات أهمية من أجل استعمال عدتك الكهربائية. يرجى حفظ الرموز ومعناها. يساعدك تفسير الرموز بشكل صحيح على استعمال عدتك الكهربائية بطريقة أفضل وأكثر أماناً.

### الرموز ومعناها

لا تقترب بيديك من مجال قرص الجلب أثناء دوران العدة الكهربائية. يتشكل خطر الإصابة بجروح عند ملامسة قرص الجلب.



ارتد واقية سمع. قد يؤدي تأثير الضجيج إلى فقدان قدرة السمع.



ارتد نظارات واقية.



ارتد قناع للوقاية من الغبار.



ارتد قفازات واقية.



- ◀ اسحب القابس من المقبس و/أو اخلع المرمك، إذا كان قابلاً للخلع، قبل ضبط الجهاز وقبل استبدال الملمحات أو قبل تخزين الجهاز. تمنع هذه الإجراءات وقائية تشغيل العدة الكهربائية بشكل غير مقصود.
- ◀ احتفظ بالعدد الكهربائية التي لا يتم استخدامها بعيداً عن متناول الأطفال. لا تسمح باستخدام العدة الكهربائية لمن لا خبرة له بها أو لمن لم يقرأ تلك التعليمات. العدد الكهربائية خطيرة إن تم استخدامها من قبل أشخاص دون خبرة.
- ◀ اعتن بالعدة الكهربائية والملحقات بشكل جيد. تأكد أن أجزاء الجهاز المتحركة مركبة بشكل سليم وغير مستصية عن الحركة، وتفحص ما إن كانت هناك أجزاء مكسورة أو في حالة تؤثر على حسن أداء العدة الكهربائية. ينبغي إصلاح هذه الأجزاء التالفة قبل إعادة تشغيل الجهاز. الكثير من الحوادث مصدرها العدد الكهربائية التي تتم صيانتها بشكل رديء.
- ◀ حافظ على إبقاء عدد القطع نظيفة وحادة. إن عدد القطع ذات حواف القطع الحادة التي تتم صيانتها بعناية تتكلم بشكل أقل ويمكن توجيهها بشكل أيسر.
- ◀ استخدم العدد الكهربائية والتوابيع ورش الشغل وإلخ. حسب هذه التعليمات. تراعى أثناء ذلك شروط الشغل والعمل المراد تنفيذه. استخدام العدد الكهربائية لغير الأشغال المخصصة لأجلها قد يؤدي إلى حدوث الحالات الخطيرة.

◀ احرص على إبقاء المقابض وأسطح المسك جافة ونظيفة وخالية من الزيوت والشحوم. المقابض وأسطح المسك الزلقة لا تتيح التشغيل والتحكم الآمن في العدة في المواقف غير المتوقعة.

### الخدمة

- ◀ احرص على إصلاح عدتك الكهربائية فقط بواسطة العمال المتخصصين وباستعمال قطع الغيار الأصلية فقط. يضمن ذلك المحافظة على أمان الجهاز.

## إرشادات الأمان لماكينات الجلب الثابتة

- ◀ لا تستخدم عدد الجلب التالفة. افحص أقراص الجلب قبل كل استعمال على تواجد الشقوق والشطايا المتبعثرة. إن سقطت العدة الكهربائية أو عده الجلب على الأرض، فافحص عما إن كانت قد تلفت أو استخدم عده جلب سليمة. إن كنت قد فحصت وركبت عده الجلب، فحافظ على تواجدك أنت وغيرك من الأشخاص المتواجدين على مقربة من المكان خارج مستوى عدد الجلب الدوارة وارتك العدة الكهربائية تدور لمدة دقيقة واحدة بعدد الدوران الأقصى. غالباً ما تكسر عدد الجلب التالفة ضمن هذه المدة التجريبية.
- ◀ يجب أن توافق قيمة عدد دوران عده الشغل المسموح به على الأقل قيمة عدد الدوران الأقصى المذكور على العدة الكهربائية. إن التوابيع التي تدور بسرعة تزيد عن السرعة المسموحة، قد تنكسر وتتطاير.
- ◀ لا تقم أبداً بالجلب على الأسطح الجانبية لقرص الجلب. الجلب على الأسطح الجانبية قد يتسبب في انكسار أقراص الجلب وتطاير أجزائها.

ارتد نظارات واقية.



## تعليمات الأمان

## تحذيرات أمان عامة للعدد الكهربائي

**⚠ تحذير** اطلع على كافة تحذيرات الأمان والتعليمات والصور والمواصفات المرفقة بالعدة

الكهربائية. عدم اتباع التعليمات الواردة أدناه قد يؤدي إلى حدوث صدمة كهربائية، إلى نشوب حريق و/أو الإصابة بجروح خطيرة.

**احتفظ بجميع التحذيرات والتعليمات للرجوع إليها فيما بعد.**

يشير مصطلح العدة الكهربائية في التحذيرات إلى العدة الكهربائية الموصلة بالشبكة الكهربائية (بواسطة كابل الشبكة الكهربائية) أو إلى العدة الكهربائية المزودة بمركب (دون كابل الشبكة الكهربائية).

**⚠ تحذير** ينبغي مراعاة إجراءات الأمان الأساسية

التالية عند استخدام العدد الكهربائي للوقاية من الصدمات الكهربائية ومخاطر الإصابات والحريق.

اقرأ جميع الملاحظات قبل استخدام هذه العدة الكهربائية واحتفظ بملاحظات الأمان بشكل جيد.

## الأمان بمكان الشغل

⚠ حافظ على نظافة مكان شغلك وإضاءته بشكل جيد. الفوضى في مكان الشغل ونطاقات العمل غير المضاءة قد تؤدي إلى وقوع الحوادث.

⚠ لا تشغل بالعدة الكهربائية في نطاق معرض لخطر الانفجار مثل الأماكن التي تتوفر فيه السوائل أو الغازات أو الأغبرة القابلة للاشتعال. العدد الكهربائية تولد شرراً قد يتطاير، فيشعل الأغبرة والأبخرة.

⚠ حافظ على بقاء الأطفال وغيرهم من الأشخاص بعيداً عندما تستعمل العدة الكهربائية. تثبت الانتباه قد يتسبب في فقدان السيطرة على الجهاز.

## الأمان الكهربائي

⚠ يجب أن يتلائم قابس العدة الكهربائية مع المقبس.

لا يجوز تغيير القابس بأي حال من الأحوال. لا

تستعمل القوايس المهيئة مع العدد الكهربائية المؤرضة (ذات طرف أرضي). تحقّق القوايس التي لم يتمّ تغييرها والمقابس الملائمة من خطر الصدمات الكهربائية.

⚠ تجنب ملامسة جسمك للأسطح المؤرضة كالأنياب والمبريدات والمواقد أو التلجّات. يزداد خطر الصدمات الكهربائية عندما يكون جسمك مؤرض أو موصل بالأرضي.

⚠ أبعد العدة الكهربائية عن الأمطار أو الرطوبة. يزداد خطر الصدمات الكهربائية إن تسرب الماء إلى داخل العدة الكهربائية.

⚠ لا تسيء استعمال الكابل. لا تستخدم الكابل في حمل العدة الكهربائية أو سحبها أو سحب القابس من المقبس. إحرص على إبعاد الكابل عن الحرارة والزيت والمواف الحادة و الأجزاء المتحركة. تزيد الكابلات التالفة أو المتشابكة من خطر الصدمات الكهربائية.

⚠ عند استخدام العدة الكهربائية خارج المنزل اقتصر على استخدام كابلات التمديد الصالحة للاستعمال الخارجي. يقلل استعمال كابل تمديد مخصص للاستعمال الخارجي من خطر الصدمات الكهربائية.

⚠ إن لم يكن بالإمكان تجنب تشغيل العدة الكهربائية في الأجواء الرطبة، فاستخدم مفتاح للوقاية من التيار المتخلف. إن استخدام مفتاح للوقاية من التيار المتخلف يقلل خطر الصدمات الكهربائية.

## أمان الأشخاص

⚠ كن يقظاً وانتبه إلى ما تفعله واستخدم العدة الكهربائية بحتقّل. لا تستخدم عدة كهربائية عدة تكون متعباً أو عندما تكون تحت تأثير المخدرات أو الكحول أو الأدوية. عدم الانتباه للحظة واحدة عند استخدام العدة الكهربائية قد يؤدي إلى إصابات خطيرة.

⚠ ارتد تجهيزات الحماية الشخصية وارتد دائماً نظارات واقية. بعد ارتداء تجهيزات الحماية الشخصية، كقناع الوقاية من الغبار وأذية الأمان الواقية من الانزلاق والوذو أو واقية الأذنين، حسب ظروف استعمال العدة الكهربائية، من خطر الإصابة بجروح.

⚠ تجنب التشغيل بشكل غير مقصود. تأكد من كون

العدة الكهربائية مطفاة قبل توصيلها بالتيار الكهربائي و/أو بالمركم، وقيل رفعها أو حملها.

إن كنت تضع إصبعك على المفتاح أثناء حمل العدة الكهربائية أو إن وصلت الجهاز بالشبكة الكهربائية

بينما لامفتاح على وضع التشغيل، قد يؤدي إلى وقوع الحوادث.

⚠ انزع أداة الضبط أو مفتاح الربط قبل تشغيل العدة الكهربائية. قد تؤدي الأداة أو المفتاح المتواجد في جزء دوار من الجهاز إلى الإصابة بجروح.

⚠ تجنب أوضاع الجسد الغير طبيعية. قف بأمان وحافظ على توازنك دائماً. سيسمح لك ذلك بالتحكم في الجهاز بشكل أفضل في المواقف الغير متوقعة.

⚠ ارتد ثياب مناسبة. لا ترتد الثياب الفضفاضة أو الملئ. إحرص على إبقاء الشعر والملابس بعيداً عن الأجزاء المتحركة. لا تتشابك الثياب الفضفاضة والملئ والشعر الطويل بالأجزاء المتحركة.

⚠ إن جاز تركيب تجهيزات شفت وتجميع الغبار، فتأكد من أنها موصولة وبأنه يتمّ استخدامها بشكل سليم. قد يقلل استخدام تجهيزات لشفت الغبار من المخاطر الناتجة عن الغبار.

⚠ لا تستخدم العدة الكهربائية بلا مبالاة وتتجاهل قواعد الأمان الخاصة بها نتيجة لتعودك على استخدام العدة الكهربائية وكثرة استخدامها. فقد يتسبب الاستخدام دون حرص في حدوث إصابة بالغة تحدث في أجزاء من الثانية.

## حسن معاملة واستخدام العدد الكهربائي

⚠ لا تفرط بحميل الجهاز. استخدم لتنفيذ أشغالك العدة الكهربائية المخصصة لذلك. إنك تعمل بشكل أفضل وأكثر أماناً بواسطة العدة الكهربائية الملائمة في مجال الأداء المذكور.

⚠ لا تستخدم العدة الكهربائية إن كان مفتاح تشغيلها تالف. العدة الكهربائية التي لم يعد من الممكن التحكم بها عن طريق مفتاح التشغيل والإطفاء تعتبر خطيرة ويجب أن يتم إصلاحها.

## حمل دستگاه

- کلیه قطعات و متعلقاتی را که بطور ثابت قابل نصب بر ابزار برقی نیستند، بردارید.
- کابل دستگاه را کامل کلاف کنید و آن را ببندید.
- ابزار برقی را جهت حمل و بلند کردن، از پایین و از طرف قابهای محافظ 6 بگیرید. در قسمت سوراخهای محل نصب دستگاه 7 می توان ابزار برقی را حفاظت نمود.
- ◀ **هنگام حمل ابزار برقی، هرگز از حفاظ جرقه 11 یا پایه قطعه کار 12 استفاده نکنید.**

## مراقبت و سرویس

### مراقبت، تعمیر و تمیز کردن دستگاه

- ◀ **پیش از انجام هرگونه کاری بر روی ابزار الکتریکی، دوشاخه اتصال آنرا از داخل پریز برق بیرون بکشید.**
- ◀ **ابزار الکتریکی و شیارهای تهویه آنرا تمیز نگاه دارید، تا ایمنی شما در کار تضمین گردد.**

در صورت نیاز به یک کابل یدکی برای اتصال به شبکه برق، بایستی به شرکت بوش و یا به نمایندگی مجاز بوش (خدمات پس از فروش) برای ابزار آلات برقی بوش مراجعه کنید تا از بروز خطرات ایمنی جلوگیری بعمل آید.

### خدمات پس از فروش و مشاوره با

#### مشتریان

دفتر خدمات پس از فروش به سئوالات شما در باره تعمیرات، سرویس و همچنین قطعات یدکی و متعلقات پاسخ خواهد داد. تصاویر و اطلاعات در باره قطعات یدکی و متعلقات را میتوانید در سایت نامبرده زیر جستجو نمایید:

[www.bosch-pt.com](http://www.bosch-pt.com)

تیم مشاور خدمات پس از فروش شرکت بوش با کمال میل به سئوالات شما در باره خرید، طرز استفاده و تنظیم محصولات و متعلقات پاسخ میدهد.

برای هرگونه سؤال و یا سفارش ابزار یدکی و متعلقات، حتماً شماره فنی ده رقمی کالا را مطابق برچسب روی ابزار برقی اطلاع دهید.

#### ایران

روبرت بوش - ایران

میدان ونک، خیابان خدامی

تقاطع آفتاب، پلاک 3، برج مادران، طبقه 3

تهران 1994834571

تلفن: +98 21 86092057

### از رده خارج کردن دستگاه

ابزار برقی، متعلقات و بسته بندی آن، باید طبق مقررات حفظ محیط زیست از رده خارج و بازیافت شوند.

ابزارهای برقی را داخل زباله دان خانگی نیاندازید!



حق هرگونه تغییری محفوظ است.

- نگهدارنده برای حفاظ جرقه 10 را با هر دو پیچ نصب کنید.
- حفاظ جرقه 11 را به نگهدارنده اش 10 وصل کنید.
- پایه قطعه کار 12 را مانند شکل نصب کنید.
- ◀ مرتب فاصله بین پایه قطعه کار 12 یا نگهدارنده حفاظ جرقه 10 و صفحه سنگ را کنترل کنید و آن را در صورت نیاز تنظیم نمایید. این فاصله نباید از 2 میلیمتر تجاوز کند. در صورت وجود فاصله زیاد در برابر پرش جرقه محافظت نمی شود. امکان کشیده شدن قطعه کار از طریق حرکت چرخشی صفحه سنگ و در نتیجه آن جراثیم وجود دارد.

## طرز کار با دستگاه

### راه اندازی و نحوه کاربرد دستگاه

- ◀ به ولتاژ برق شبکه توجه کنید! ولتاژ منبع جریان برق باید با مقادیر موجود بر روی برچسب ابزار الکتریکی مطابقت داشته باشد. ابزارهای برقی را که با ولتاژ 230V ولت مشخص شده اند، می توان تحت ولتاژ 220V ولت نیز بکار برد.
- ◀ ابزارهای سایش را قبل از کاربرد امتحان کنید. ابزار سایش باید بدون هیچ ایرادی نصب شده باشد و به آسانی و آزاد حرکت کند. قبل از بکارگیری، ابزار برقی را برای ا دقیقه بدون بار امتحان کنید. از ابزار سایش که دارای لرزش، آسیب دیدگی است و گرد نیست استفاده نکنید. ابزارهای سایش آسیب دیده ممکن است بشکنند و باعث بروز جراثیم شوند.

### نحوه روشن و خاموش کردن

- جهت صرفه جویی در انرژی، ابزار برقی را فقط وقتی روشن کنید که می خواهید از آن استفاده کنید.
- برای روشن کردن ابزار برقی، کلید قطع و وصل را 8 بار بطرف «0» فشار دهید.
- برای خاموش کردن ابزار برقی، کلید قطع و وصل را 8 بار بطرف «0» فشار دهید.

### راهنمایی های عملی

- ◀ لباس و پیش بند مخصوص کار بپوشید. مراقب باشید که سایر افراد در معرض خطر پرش جرقه های ناشی از کار قرار نگیرند. مواد قابل اشتعال را دور از دسترس نگاه دارید. به هنگام سائیدن فلزات، جرقه هایی ایجاد می شوند.
- ◀ هرگز دست خود را در صفحه سنگ در حال چرخش ابزار برقی نگذارید. این کار باعث بروز جراثیم خطرناک می شود.
- ◀ قطعه کار را تنها در خلاف ابزار برقی روشن شده برانید و دستگاه را فقط پس از برداشتن قطعه کار خاموش کنید. قطعه کار ممکن است به طور ناگهانی تکان بخورد.
- جهت کار روی قطعه کارهای از جنس فلز سخت، صفحات سنگ کاربرد سیلیکوم C را بکار ببرید (متعلقات).
- قطعه کار مورد سائیدن را روی پایه قطعه کار 12 قرار داده و آن را به آرامی به صفحه سنگ فشار دهید.
- جهت رسیدن به نتایج سایش بهتر، قطعه کار را کمی به عقب و جلو برانید. صفحه سنگ نیز از این طریق به طور یکنواخت فرسایش می یابد.
- قطعه کار را هر چند وقت یکبار در حین کار خنک کنید.

### تجویض صفحه سنگ

- ◀ پیش از انجام هرگونه کاری بر روی ابزار الکتریکی، دوشاخه اتصال آنرا از داخل پریز برق بیرون بکشید.
- ◀ میزان تحمل سرعت مجاز متعلقات سایش و برش باید حداقل معادل با حداکثر سرعت تعیین شده بر روی ابزار برقی باشد. ابزار و متعلقاتی که سریعتر از حد مجاز میچرخند، ممکن است بشکنند و به اطراف پرتاب بشوند.
- ◀ صفحه سابهایی که دارای قطر بیشتر از مقدار ذکر شده روی ابزار برقی می باشند، مجاز نیستند.
- چنانچه نگهدارنده محافظ جرقه 10 حداکثر فاصله مورد نیاز 2 میلیمتری را نسبت به صفحه سنگ نمی گیرد، صفحه سنگ را عوض کنید.
- 3 پیچ سرپوش 1 را شل کنید و سرپوش 1 را بردارید. محور دستگاه 5 را با آچار تخت 9 محکم بگیرید و مهره مهار 2 را از محور دستگاه 5 باز کنید.
- توجه: محور دستگاه 5 که در سمت چپ ابزار برقی نمایان است دارای زروه چپ می باشد.
- فلانژ 3 مهار را بردارید و صفحه سنگ را از محور دستگاه 5 جدا کنید.
- جهت نصب صفحه سنگ جدید، سلسله مراتب نصب را بر عکس اجرا کنید. سرپوش 1 را با فشار، محکم جا بزنید و آن را دوباره با سه پیچ سفت کنید.
- ◀ ابزار برقی را تنها با ابزارهای نصب شده روی هر دو محور دستگاه بکار برید. اینگونه از تماس با محور گردان جلوگیری می شود.
- صفحات سنگ دارای فرسایش و غیر گرد را قبل از استفاده دوباره با سنگ سنباده (متعلقات) پرداخت کنید.

### مکش گرد، براده و تراشه

- ◀ گرد و غبار موادی مانند رنگ های دارای سرب، بعضی از چوب ها، مواد معدنی و فلزات می توانند برای سلامتی مضر باشند. دست زدن و یا تنفس کردن گرد و غبار ممکن است باعث بروز آلرژی و یا بیماری مجاری تنفسی شخص استفاده کننده و یا افرادی که در آن نزدیکی میباشند، بشود.
- گرد و غبارهای مخصوصی مانند گرد و غبار درخت بلوط و یا درخت راش سرطان زا هستند. بخصوص ترکیب آنها با سایر موادی که برای کار بر روی چوب (کرومات، مواد برای محافظت از چوب) بکار برده میشوند. فقط افراد متخصص مجازند با موادی که دارای آزیست میباشند کار کنند.
- توجه داشته باشید که محل کار شما از تهویه هوای کافی برخوردار باشد.

## مشخصات فنی

دستگاه ساب دو طرفه		GBG 35-15	
شماره فنی		3 601 B7A 3..	
قدرت ورودی نامی P <sub>1</sub>	W	350	
قدرت خروجی P <sub>2</sub>		50 Hz -	
	W	240	
	W	250	
نوع عملکرد*		S2 (60 min)	
سرعت در حالت آزاد		50 Hz -	
	min-1	3000	
	min-1	3600	
رزوه محور دستگاه		M 12	
صفحه های سنگ			
- قطر	mm	150	
- عرض	mm	20	
- قطر سوراخ میانی تیغه	mm	12,7/20	
- درشتی دانه ها		24/60	
فلانژ گیرنده			
- قطر سوراخ میانی تیغه	mm	12,7	
- کمترین شیار	mm	1,5	
وزن مطابق استاندارد EPTA-Procedure 01:2014	kg	10,0	
کلاس ایمنی		⊕/1	

این اطلاعات برای ولتاژ نامی [U] 230V ولت می باشند و در صورت تغییر ولتاژ و یا در کشورهای دیگر می توانند تغییر کنند. \* نوع عملکرد S2 (60 دقیقه) نشاندهنده عملکرد زمان کوتاه یا حداکثر زمان کار 60 دقیقه می باشد. پس از این زمان ابزار برقی را خاموش کنید و بگذارید تا خنک شود.

## نصب

- ◀ **پیش از انجام هرگونه کاری بر روی ابزار الکتریکی، دوشاخه اتصال آنرا از داخل پریز برق بیرون بکشید.**
- ابزار برقی را بوسیله ی پیچهای متناسب واقع در کنار میز کار/صفحه ی پایه روی ۴ سوراخ منظور شده 7 محکم کنید.

## نصب حفاظ جرقه/پایه قطعه کار

## (رجوع شود به تصاویر A-D)

- ◀ **ابزار برقی را تنها با حفاظ جرقه 11 بکار برید و آن را حتی الامکان تا پایین برانید.** جرقه های ایجاد شده ممکن است به چشمان شما آسیب برسانند یا باعث آتش گرفتن اجسام اطراف شوند.
- ◀ **ابزار برقی را به همراه پایه قطعه کار بکار برید.** پایه قطعه کار چپ و راست 12 را عوض نکنید. در غیر اینصورت فاصله میان پایه قطعه کار 12 و صفحه ساب زیاد می شود. در صورت وجود فاصله زیاد در برابر جرقه مصون نمی باشید. قطعه کار ممکن است با چرخشهای صفحه ساب به درون کشیده شود و منجر به جراحت گردد.

## علائم و معنی آنها

از عینک ایمنی استفاده کنید.



از ماسک ایمنی تنفس در برابر گرد و غبار استفاده کنید.



از دستکش ایمنی استفاده کنید.



## تشریح دستگاه و عملکرد آن

کلیه دستورات ایمنی و راهنمایی ها را مطالعه کنید. اشتباهات ناشی از عدم رعایت این دستورات ایمنی ممکن است باعث برق گرفتگی، سوختگی و یا سایر جراحت های شدید شود.



## موارد استفاده از دستگاه

ابزار برقی جهت تیز کردن ابزارها، ساییدن و نیز صاف کردن فلزات در نظر گرفته شده است. ابزار برقی را می توان تنها در عملکرد زمان کوتاه (حداکثر 60 دقیقه) بکار برد.

## اجزاء دستگاه

شماره های اجزاء دستگاه که در تصویر مشاهده میشود، مربوط به شرح ابزار برقی می باشد که تصویر آن در این دفترچه آمده است.

- 1 سرپوش
- 2 مهره مهار (مهره یا واشر میانی)
- 3 فلانژ مهار (مهره رو)
- 4 فلانژ ابزارگیر (مهره زیر)
- 5 محور دستگاه
- 6 حفاظ ایمنی (قاب محافظ)
- 7 سوراخ های محل نصب دستگاه
- 8 کلید قطع و وصل
- 9 آچار تخت\*
- 10 نگهدارنده برای حفاظ جرقه
- 11 حفاظ جرقه
- 12 پایه قطعه کار

\* کلیه متعلقاتی که در تصویر و یا در متن آمده است، بطور معمول همراه دستگاه ارائه نمی شود. لطفاً لیست کامل متعلقات را از فهرست برنامه متعلقات اقتباس نمائید.

- ◀ **میزان تحمل سرعت مجاز متعلقات سایش و برش باید حداقل معادل با حداکثر سرعت تعیین شده بر روی ابزار برقی باشد.** ابزار و متعلقاتی که سریعتر از حد مجاز میچرخند، ممکن است بشکنند و به اطراف پرتاب بشوند.
- ◀ **هرگز از قسمتهای کناری صفحه ساب جهت ساییدن استفاده نکنید.** ساییدن با این قسمتها ممکن است صفحه ساب را خرد کند و باعث پرت شدن تکه ها به اطراف گردد.

از عینک ایمنی استفاده کنید.



- ◀ **دستگاه و ابزارهای مربوط را در جایی مطمئن و ایمن نگهداری کنید.** ابزار برقی را باید در انبار و محلی خشک قرار داد، علاوه بر این باید بتوان محل نگهداری آن را قفل نمود. این اقدام ایمنی از آسیب دیدن ابزار برقی و همچنین از دسترسی افراد بدون تجربه و ناوارد به ابزار برقی جلوگیری می آورد.
- ◀ **کابل برق دستگاه را بطور مرتب کنترل کنید و در صورت ایراد و آسیب دیدگی کابل، آنرا منحصرأ توسط خدمات و نمایندگی مجاز برای ابزار آلات برقی بوش تحت تعمیر قرار دهید.** کابل های رابط آسیب دیده را تعویض کنید. این اقدام، تضمین بقای ایمنی ابزار برقی شما است.

- ◀ **این ابزار الکتریکی را به یک شبکه جریان برق که به درستی و مطابق با مقررات اتصال زمین شده است، متصل کنید.** پریز برق و کابل رابط باید دارای سیم حفاظ قابل استفاده باشد.
- ◀ **محل کار خود را تمیز نگهدارید.** مخلوط شدن مواد با یکدیگر بسیار خطرناک است. گرد فلزات سبک، ممکن است باعث حریق و یا انفجار شود.
- ◀ **ابزار کار ساینده را در برابر ضربه، چربی و تکان شدید محافظت کنید.**

## علامت ها

علائم و نماد های زیر و معانی آنها میتوانند برای کار و استفاده از ابزار برقی شما پر اهمیت باشند. لطفاً این علائم و مفهوم آنها را خوب بخاطر بسپارید. تفسیر صحیح این علائم به شما کمک میکند که ابزار برقی را بهتر و مطمئن تر مورد استفاده قرار دهید.

### علائم و معنی آنها

**هنگام روشن بودن ابزار برقی، دستان خود را به محدوده صفحه سنگ نزدیک نکنید.** در صورت تماس با صفحه سنگ امکان بروز جراحت وجود دارد.



**از گوشی ایمنی استفاده کنید.** تحت تأثیر سر و صدا امکان آسیب دیدن شنوایی وجود دارد.



**استفاده کنید.** بکار گرفتن ابزار الکتریکی مناسب باعث میشود که بتوانید از توان دستگاه بهتر و با اطمینان بیشتر استفاده کنید.

- ◀ **در صورت ایراد در کلید قطع و وصل ابزار برقی، از دستگاه استفاده نکنید.** ابزار الکتریکی که نمی توان آنها را قطع و وصل کرد، خطرناک بوده و باید تعمیر شوند.
- ◀ **قبل از تنظیم ابزار الکتریکی، تعویض متعلقات و یا کنار گذاشتن آن، دوشاخه را از برق کشیده و یا باتری آنرا خارج کنید.** رعایت این اقدامات پیشگیری ایمنی از راه افتادن ناخواسته ابزار الکتریکی جلوگیری می کند.

- ◀ **ابزار الکتریکی را در صورت عدم استفاده، از دسترس کودکان دور نگهدارید.** اجازه ندهید که افراد ناوارد و یا اشخاصی که این دفترچه راهنما را نخوانده اند، با این دستگاه کار کنند. قرار گرفتن ابزار الکتریکی در دست افراد ناوارد و بی تجربه خطرناک است.

- ◀ **از ابزار الکتریکی و متعلقات خوب مراقبت کنید.** مواظب باشید که قسمت های متحرک دستگاه خوب کار کرده و گیر نکند. همچنین دقت کنید که قطعات ابزار الکتریکی شکسته و یا آسیب دیده نباشند. قطعات آسیب دیده را قبل از شروع به کار تعمیر کنید. علت بسیاری از سوانح کاری، عدم مراقبت کامل از ابزارهای الکتریکی می باشد.

- ◀ **ابزار برش را تیز و تمیز نگهدارید.** ابزار برشی که خوب مراقبت شده و از لبه های تیز برخوردارند، کمتر در قطعه کار گیر کرده و بهتر قابل هدایت می باشند.

- ◀ **ابزارهای الکتریکی، متعلقات، ابزاری که روی دستگاه نصب می شوند و غیره را مطابق دستورات این جزوه راهنما طوری به کار گیرید که با مدل این دستگاه تناسب داشته باشند.** همچنین به شرایط کاری و نوع کار توجه کنید. کاربرد ابزار برقی برای موارد کاری که برای آن در نظر گرفته نشده است، میتواند شرایط خطرناکی را منجر شود.

- ◀ **دسته ها و سطوح عایق را همواره خشک، تمیز و عاری از روغن و گریس نگهدارید.** دسته های لغزنده مانع ایمنی و کنترل در کار در شرایط غیر منتظره هستند.

### سرویس

- ◀ **برای تعمیر ابزار الکتریکی فقط به متخصصین حرفه ای رجوع کرده و از وسائل یدکی اصل استفاده کنید.** این باعث خواهد شد که ایمنی دستگاه شما تضمین گردد.

## دستورات ایمنی برای دستگاههای ساب میزی

- ◀ **از ابزارهای کار آسیب دیده استفاده نکنید.** قبل از هر استفاده، صفحات سنگ را از لحاظ لب پریدگی و ترک خوردگی کنترل کنید. چنانچه ابزار برقی یا ابزار کار روی زمین افتاد، آن را از نظر آسیب دیدگی کنترل کنید یا یک ابزار کار سالم را بکار برید. پس از جایگذاری و کنترل ابزار کار، خود و افراد نزدیک خود را دور از سطح ابزار کار چرخان قرار دهید و بگذارید ابزار برقی یک دقیقه با بیشترین سرعت کار کند. ابزارهای کار آسیب دیده اغلب در این مدت زمان آزمایش شکسته می شوند.

## فارسی

### راهنمائی های ایمنی

#### راهنمائی های ایمنی عمومی برای ابزارهای الکتریکی

**هشدار** همه دستورات ایمنی، راهنمائی ها، تصاویر و مشخصات ارائه شده با این

ابزار برقی را بخوانید. اشتباهات ناشی از عدم رعایت این دستورات ایمنی ممکن است باعث برق گرفتگی، سوختگی و یا سایر جراحات های شدید شود.

همه ی هشدار های ایمنی و راهنمائی ها را برای آینده خوب نگهداری کنید.

هر جا در این راهنما ابزار الکتریکی صحبت میشود، منظور ابزارهای الکتریکی (با سیم برق) و یا ابزارهای الکتریکی باتری دار (بدون سیم برق) می باشد.

**هشدار** در استفاده از ابزارهای برقی، باید برای حفاظت در برابر برق گرفتگی، خطر حریق،

سوانح و جراحات، اقدامات ایمنی اساسی به شرح زیر را بدقت رعایت نمود.

پیش از استفاده از این ابزار برقی، لطفاً کلیه راهنمایی ها و نکات ایمنی را بخوانید و از این راهنمایی ها و هشدارهای ایمنی بخوبی نگهداری کنید.

#### ایمنی محل کار

محل کار خود را تمیز، مرتب و مجهز به نور کافی نگهدارید. محیط کار نامرتب و کم نور میتواند باعث سوانح کاری شود.

با ابزار الکتریکی در محیط هایی که در آن خطر انفجار وجود داشته و حاوی مایعات، گازها و بخارهای محترقه باشد، کار نکنید. ابزار های الکتریکی چرخه هایی ایجاد می کنند که می توانند باعث آتش گرفتن گرد و غبارهای موجود در هوا شوند.

هنگام کار با ابزار الکتریکی، کودکان و سایر افراد را از دستگاه دور نگهدارید. در صورتیکه حواس شما پرت شود، ممکن است کنترل دستگاه از دست شما خارج شود.

#### ایمنی الکتریکی

دوشاخه ابزار الکتریکی باید با پریز برق تناسب داشته باشد. هیچگونه تغییری در دوشاخه ندهید. مبدل دوشاخه نباید همراه با ابزار الکتریکی دارای اتصال به زمین استفاده شود. دوشاخه های اصل و تغییر داده نشده و پریزهای مناسب، خطر شوک الکتریکی و برق گرفتگی را کم می کنند.

از تماس بدنی با قطعات متصل به سیم اتصال به زمین مانند لوله، شوقاف، اجاق برقی و یخچال خودداری کنید. در صورت تماس بدنی با سطوح و قطعات دارای اتصال به زمین و همچنین تماس شما با زمین، خطر برق گرفتگی افزایش می یابد.

دستگاه را از باران و رطوبت دور نگهدارید. نفوذ آب به ابزار الکتریکی، خطر شوک الکتریکی را افزایش میدهد.

از سیم دستگاه برای کارهایی چون حمل ابزار الکتریکی، آویزان کردن آن و یا خارج کردن دوشاخه از برق استفاده نکنید. کابل دستگاه را در مقابل

حرارت، روغن، لبه های تیز و بخش های متحرک دستگاه دور نگهدارید. کابل های آسیب دیده و یا گره خورده خطر شوک الکتریکی را افزایش میدهند.

در صورتیکه با ابزار الکتریکی در محیط باز کار میکنید، تنها از کابل رابطی استفاده کنید که برای محیط باز نیز مناسب باشد. کابل های رابط مناسب برای محیط باز، خطر برق گرفتگی را کم می کنند.

در صورت لزوم کار با ابزار برقی در محیط و اماکن مرطوب، باید از یک کلید حفاظتی جریان خطا و نشستی زمین (کلید قطع کننده اتصال با زمین) استفاده کنید. استفاده از کلید حفاظتی جریان خطا و نشستی زمین خطر برق گرفتگی را کاهش می دهد.

#### رعایت ایمنی اشخاص

حواس خود را خوب جمع کنید، به کار خود دقت کنید و با فکر و هوش کامل با ابزار الکتریکی کار کنید. در صورت خستگی و یا در صورتیکه مواد مخدر، الکل و دارو استفاده کرده اید، با ابزار الکتریکی کار نکنید. یک لحظه بی توجهی هنگام کار با ابزار الکتریکی، میتواند جراحات های شدیدی به همراه داشته باشد.

از تجهیزات ایمنی شخصی و از عینک ایمنی همواره استفاده کنید. استفاده از تجهیزات ایمنی مانند ماسک ایمنی، کفش های ایمنی ضد لغزش، کلاه ایمنی و گوشی ایمنی متناسب با نوع کار با ابزار الکتریکی، خطر مجروح شدن را کاهش میدهد.

مواظب باشید که ابزار الکتریکی بطور ناخواسته بکار نیفتد. قبل از وارد کردن دوشاخه دستگاه در پریز برق، اتصال آن به باتری، برداشتن آن و یا حمل دستگاه، باید دقت کنید که ابزار الکتریکی خاموش باشد. در صورتیکه هنگام حمل دستگاه انگشت شما روی دکمه قطع و وصل باشد و یا دستگاه را در حالت روشن به برق بزنید، ممکن است سوانح کاری پیش آید.

قبل از روشن کردن ابزار الکتریکی، باید همه ابزارهای تنظیم کننده و آچار ها را از روی دستگاه بردارید. ابزار و آچارهایی که روی بخش های چرخنده دستگاه قرار دارند، میتوانند باعث ایجاد جراحات شوند.

وضعیت بدن شما باید در حالت عادی قرار داشته باشد. برای کار جای مطمئن برای خود انتخاب کرده و تعادل خود را همواره حفظ کنید. به این ترتیب می توانید ابزار الکتریکی را در وضعیت های غیر منتظره بهتر تحت کنترل داشته باشید.

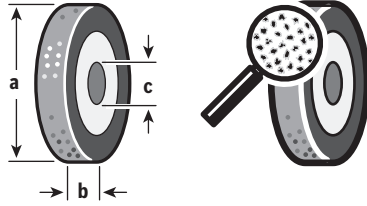
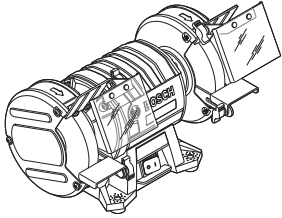
لباس مناسب بپوشید. از پوشیدن لباس های گشاد و حمل زینت آلات خودداری کنید. موها، لباس را از بخش های در حال چرخش دستگاه دور نگهدارید. لباس های گشاد، موی بلند و زینت آلات ممکن است در قسمت های در حال چرخش دستگاه گیر کنند.

در صورتیکه میتوانید وسایل مکش گرد و غبار و یا وسیله جمع کننده گرد و غبار را به دستگاه نصب کنید، باید مطمئن شوید که این وسایل درست نصب و استفاده می شوند. استفاده از وسایل مکش گرد و غبار مصونیت شما را در برابر گرد و غبار زیاد تر میکند.

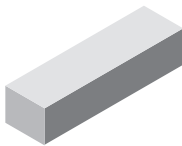
آشنایی با ابزار به خاطر کاربرد زیاد آن نباید باعث سهل انگاری شما و نادیده گرفتن دستورات ایمنی شود. بی دقتی ممکن است باعث بروز جراحاتی در عرض کسری از ثانیه شود.

استفاده صحیح از ابزار الکتریکی و مراقبت از آن

از وارد کردن فشار زیاد روی دستگاه خودداری کنید. برای هر کاری، از ابزار الکتریکی مناسب با آن



<b>a</b>	<b>b</b>	<b>c</b>		
150 x 20 x 20 mm			A 46	1 609 201 649
150 x 20 x 20 mm			A 60	1 609 201 650



20 x 25 x 32 mm

1 607 929 000