

Robert Bosch Power Tools GmbH
70538 Stuttgart
GERMANY

www.bosch-pt.com

1 609 92A 594 (2019.06) 0 / 75



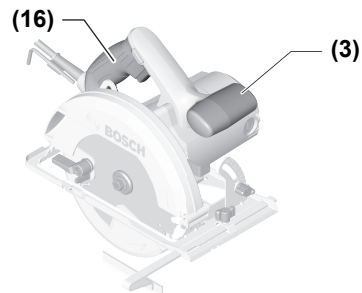
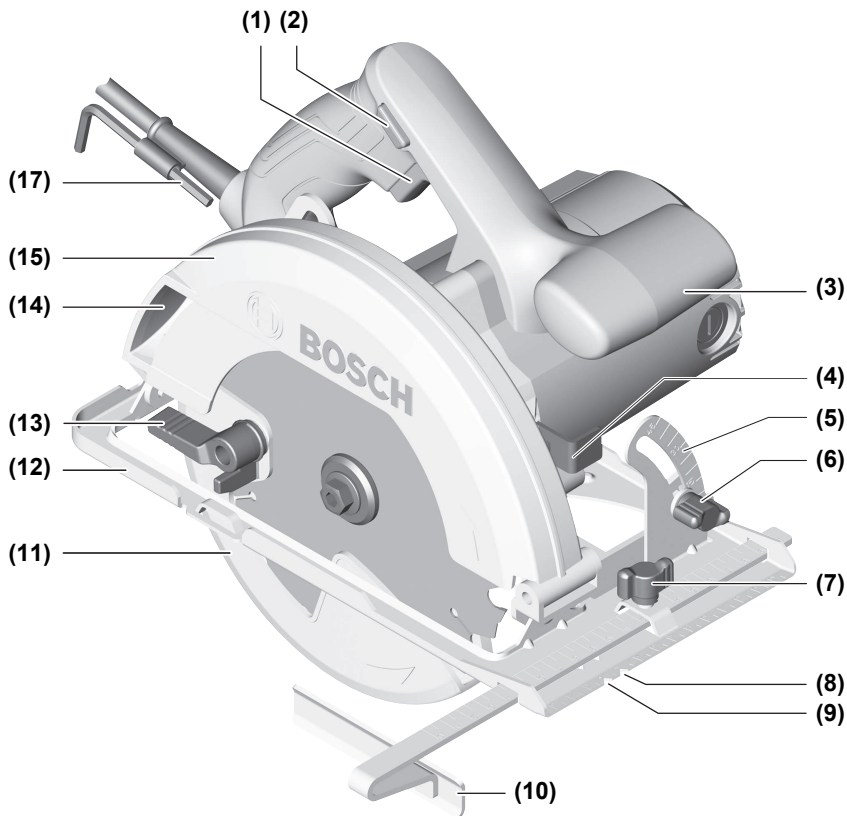
1 609 92A 594

GKS 140 Professional

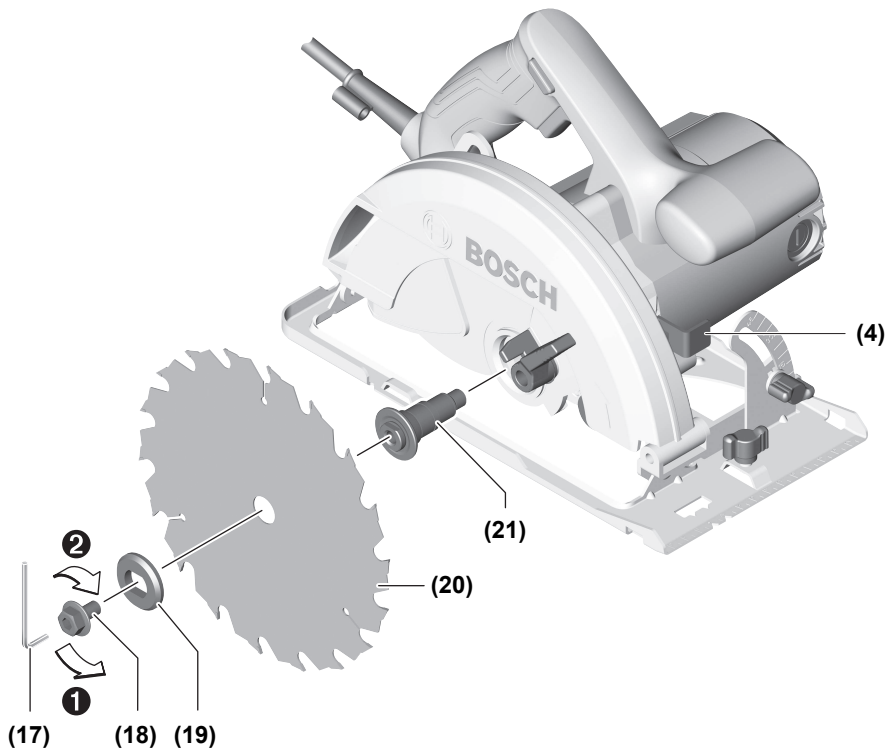
 **BOSCH**

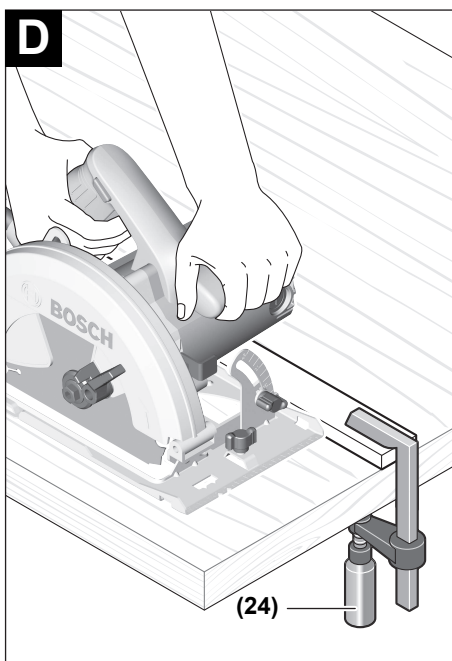
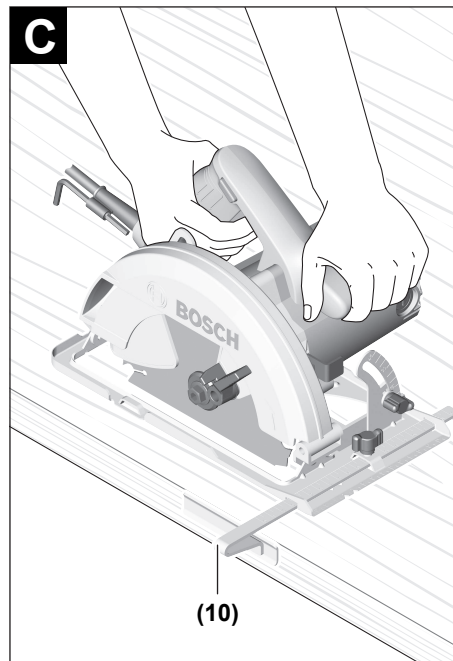
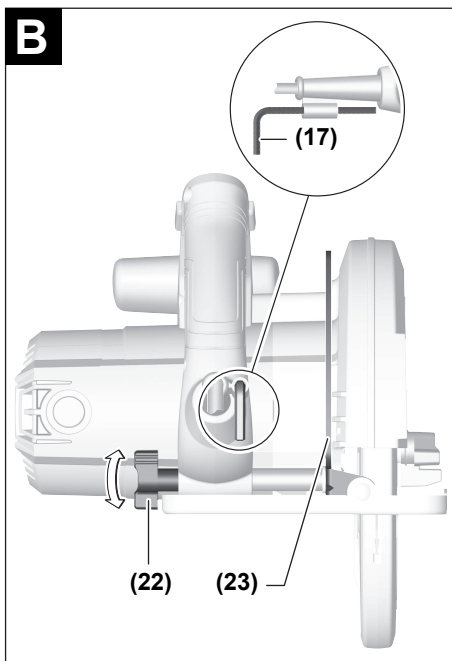
- en Original instructions
- fr Notice originale
- pt Manual original
- zh 正本使用说明书
- zh 原始使用說明書
- th หนังสือคู่มือการใช้งาน
ต้นแบบ
- id Petunjuk-Petunjuk untuk Penggun-
aan Orisinal
- vi Bản gốc hướng dẫn sử dụng
- ar دليل التشغيل الأصلي
- fa دفترچه راهنمای اصلی

English	Page	6
Français	Page	14
Português	Página	20
中文	頁	27
繁體中文	頁	33
ไทย	หน้า	38
Bahasa Indonesia	Halaman	45
Tiếng Việt	Trang	51
عربي	الصفحة	59
فارسی	صفحه	66
CE		I



GKS 140

A



English

Safety instructions

General Power Tool Safety Warnings

⚠ WARNING Read all safety warnings, instructions, illustrations and specifications provided with this power tool. Failure to follow all instructions listed below may result in electric shock, fire and/or serious injury.

Save all warnings and instructions for future reference.

The term "power tool" in the warnings refers to your mains-operated (corded) power tool or battery-operated (cordless) power tool.

Work area safety

- ▶ **Keep work area clean and well lit.** Cluttered or dark areas invite accidents.
- ▶ **Do not operate power tools in explosive atmospheres, such as in the presence of flammable liquids, gases or dust.** Power tools create sparks which may ignite the dust or fumes.
- ▶ **Keep children and bystanders away while operating a power tool.** Distractions can cause you to lose control.

Electrical safety

- ▶ **Power tool plugs must match the outlet. Never modify the plug in any way. Do not use any adapter plugs with earthed (grounded) power tools.** Unmodified plugs and matching outlets will reduce risk of electric shock.
- ▶ **Avoid body contact with earthed or grounded surfaces, such as pipes, radiators, ranges and refrigerators.** There is an increased risk of electric shock if your body is earthed or grounded.
- ▶ **Do not expose power tools to rain or wet conditions.** Water entering a power tool will increase the risk of electric shock.
- ▶ **Do not abuse the cord. Never use the cord for carrying, pulling or unplugging the power tool. Keep cord away from heat, oil, sharp edges or moving parts.** Damaged or entangled cords increase the risk of electric shock.
- ▶ **When operating a power tool outdoors, use an extension cord suitable for outdoor use.** Use of a cord suitable for outdoor use reduces the risk of electric shock.
- ▶ **If operating a power tool in a damp location is unavoidable, use a residual current device (RCD) protected supply.** Use of an RCD reduces the risk of electric shock.

Personal safety

- ▶ **Stay alert, watch what you are doing and use common sense when operating a power tool. Do not use a power tool while you are tired or under the influence of drugs, alcohol or medication.** A moment of inatten-

tion while operating power tools may result in serious personal injury.

- ▶ **Use personal protective equipment. Always wear eye protection.** Protective equipment such as a dust mask, non-skid safety shoes, hard hat or hearing protection used for appropriate conditions will reduce personal injuries.
- ▶ **Prevent unintentional starting. Ensure the switch is in the off-position before connecting to power source and/or battery pack, picking up or carrying the tool.** Carrying power tools with your finger on the switch or energising power tools that have the switch on invites accidents.
- ▶ **Remove any adjusting key or wrench before turning the power tool on.** A wrench or a key left attached to a rotating part of the power tool may result in personal injury.
- ▶ **Do not overreach. Keep proper footing and balance at all times.** This enables better control of the power tool in unexpected situations.
- ▶ **Dress properly. Do not wear loose clothing or jewellery. Keep your hair and clothing away from moving parts.** Loose clothes, jewellery or long hair can be caught in moving parts.
- ▶ **If devices are provided for the connection of dust extraction and collection facilities, ensure these are connected and properly used.** Use of dust collection can reduce dust-related hazards.
- ▶ **Do not let familiarity gained from frequent use of tools allow you to become complacent and ignore tool safety principles.** A careless action can cause severe injury within a fraction of a second.

Power tool use and care

- ▶ **Do not force the power tool. Use the correct power tool for your application.** The correct power tool will do the job better and safer at the rate for which it was designed.
- ▶ **Do not use the power tool if the switch does not turn it on and off.** Any power tool that cannot be controlled with the switch is dangerous and must be repaired.
- ▶ **Disconnect the plug from the power source and/or remove the battery pack, if detachable, from the power tool before making any adjustments, changing accessories, or storing power tools.** Such preventive safety measures reduce the risk of starting the power tool accidentally.
- ▶ **Store idle power tools out of the reach of children and do not allow persons unfamiliar with the power tool or these instructions to operate the power tool.** Power tools are dangerous in the hands of untrained users.
- ▶ **Maintain power tools and accessories. Check for misalignment or binding of moving parts, breakage of parts and any other condition that may affect the power tool's operation. If damaged, have the power tool repaired before use.** Many accidents are caused by poorly maintained power tools.

- ▶ **Keep cutting tools sharp and clean.** Properly maintained cutting tools with sharp cutting edges are less likely to bind and are easier to control.
- ▶ **Use the power tool, accessories and tool bits etc. in accordance with these instructions, taking into account the working conditions and the work to be performed.** Use of the power tool for operations different from those intended could result in a hazardous situation.
- ▶ **Keep handles and grasping surfaces dry, clean and free from oil and grease.** Slippery handles and grasping surfaces do not allow for safe handling and control of the tool in unexpected situations.

Service

- ▶ **Have your power tool serviced by a qualified repair person using only identical replacement parts.** This will ensure that the safety of the power tool is maintained.

Safety instructions for circular saws

Cutting procedures

- ▶  **DANGER: Keep hands away from cutting area and the blade. Keep your second hand on auxiliary handle, or motor housing.** If both hands are holding the saw, they cannot be cut by the blade.
- ▶ **Do not reach underneath the workpiece.** The guard cannot protect you from the blade below the workpiece.
- ▶ **Adjust the cutting depth to the thickness of the workpiece.** Less than a full tooth of the blade teeth should be visible below the workpiece.
- ▶ **Never hold the workpiece in your hands or across your leg while cutting. Secure the workpiece to a stable platform.** It is important to support the work properly to minimise body exposure, blade binding, or loss of control.
- ▶ **Hold the power tool by insulated gripping surfaces, when performing an operation where the cutting tool may contact hidden wiring or its own cord.** Contact with a "live" wire will also make exposed metal parts of the power tool "live" and could give the operator an electric shock.
- ▶ **When ripping always use a rip fence or straight edge guide.** This improves the accuracy of cut and reduces the chance of blade binding.
- ▶ **Always use blades with correct size and shape (diamond versus round) of arbour holes.** Blades that do not match the mounting hardware of the saw will run off-centre, causing loss of control.
- ▶ **Never use damaged or incorrect blade washers or bolt.** The blade washers and bolt were specially designed for your saw, for optimum performance and safety of operation.

Kickback causes and related warnings

- kickback is a sudden reaction to a pinched, jammed or misaligned saw blade, causing an uncontrolled saw to lift up and out of the workpiece toward the operator;

- when the blade is pinched or jammed tightly by the kerf closing down, the blade stalls and the motor reaction drives the unit rapidly back toward the operator;

- if the blade becomes twisted or misaligned in the cut, the teeth at the back edge of the blade can dig into the top surface of the wood causing the blade to climb out of the kerf and jump back toward the operator.

Kickback is the result of saw misuse and/or incorrect operating procedures or conditions and can be avoided by taking proper precautions as given below.

- ▶ **Maintain a firm grip with both hands on the saw and position your arms to resist kickback forces. Position your body to either side of the blade, but not in line with the blade.** Kickback could cause the saw to jump backwards, but kickback forces can be controlled by the operator, if proper precautions are taken.
- ▶ **When blade is binding, or when interrupting a cut for any reason, release the trigger and hold the saw motionless in the material until the blade comes to a complete stop. Never attempt to remove the saw from the work or pull the saw backward while the blade is in motion or kickback may occur.** Investigate and take corrective actions to eliminate the cause of blade binding.
- ▶ **When restarting a saw in the workpiece, centre the saw blade in the kerf so that the saw teeth are not engaged into the material.** If a saw blade binds, it may walk up or kickback from the workpiece as the saw is restarted.
- ▶ **Support large panels to minimise the risk of blade pinching and kickback.** Large panels tend to sag under their own weight. Supports must be placed under the panel on both sides, near the line of cut and near the edge of the panel.
- ▶ **Do not use dull or damaged blades.** Unsharpened or improperly set blades produce narrow kerf causing excessive friction, blade binding and kickback.
- ▶ **Blade depth and bevel adjusting locking levers must be tight and secure before making the cut.** If blade adjustment shifts while cutting, it may cause binding and kickback.
- ▶ **Use extra caution when sawing into existing walls or other blind areas.** The protruding blade may cut objects that can cause kickback.

Lower guard function

- ▶ **Check the lower guard for proper closing before each use. Do not operate the saw if the lower guard does not move freely and close instantly. Never clamp or tie the lower guard into the open position.** If the saw is accidentally dropped, the lower guard may be bent. Raise the lower guard with the retracting handle and make sure it moves freely and does not touch the blade or any other part, in all angles and depths of cut.
- ▶ **Check the operation of the lower guard spring. If the guard and the spring are not operating properly, they must be serviced before use.** Lower guard may operate

sluggishly due to damaged parts, gummy deposits, or a build-up of debris.

- ▶ **The lower guard may be retracted manually only for special cuts such as "plunge cuts" and "compound cuts". Raise the lower guard by the retracting handle and as soon as the blade enters the material, the lower guard must be released.** For all other sawing, the lower guard should operate automatically.
- ▶ **Always observe that the lower guard is covering the blade before placing the saw down on bench or floor.** An unprotected, coasting blade will cause the saw to walk backwards, cutting whatever is in its path. Be aware of the time it takes for the blade to stop after switch is released.

Additional safety warnings

- ▶ **Do not allow the chip ejector to come into contact with your hands.** You may be injured by rotating parts.
- ▶ **Do not use the saw above the level of your head.** Doing so will mean you have inadequate control of the power tool.
- ▶ **Use suitable detectors to determine if utility lines are hidden in the work area or call the local utility company for assistance.** Contact with electric lines can lead to fire and electric shock. Damaging a gas line can lead to explosion. Penetrating a water line causes property damage or may cause an electric shock.
- ▶ **Hold the power tool firmly with both hands and make sure you have a stable footing.** The power tool can be more securely guided with both hands.
- ▶ **Do not operate the power tool when stationary.** It is not suitable for operation with a saw table.
- ▶ **When performing plunge cuts which are not right-angled, secure the guide plate of the saw so that it will not shift sideways.** In the event of a sideways shift, the saw blade may become jammed, which could lead to kick-back.
- ▶ **Secure the workpiece.** A workpiece clamped with clamping devices or in a vice is held more secure than by hand.
- ▶ **Always wait until the power tool has come to a complete stop before placing it down.** The application tool can jam and cause you to lose control of the power tool.
- ▶ **Do not use HSS saw blades.** Such saw blades can easily break.
- ▶ **Do not saw any ferrous metals.** Hot chips may ignite the dust extractor.
- ▶ **Wear a dust mask.**

Products sold in GB only:

Your product is fitted with an BS 1363/A approved electric plug with internal fuse (ASTA approved to BS 1362).

If the plug is not suitable for your socket outlets, it should be cut off and an appropriate plug fitted in its place by an authorised customer service agent. The replacement plug should have the same fuse rating as the original plug.

The severed plug must be disposed of to avoid a possible shock hazard and should never be inserted into a mains socket elsewhere.

Product Description and Specifications



Read all the safety and general instructions.

Failure to observe the safety and general instructions may result in electric shock, fire and/or serious injury.

Please observe the illustrations at the beginning of this operating manual.

Intended use

The power tool is intended for making straight cuts in wood with and against the grain and mitre cuts in wood while resting firmly against the workpiece.

Product Features

The numbering of the product features refers to the diagram of the power tool on the graphics page.

- (1) On/off switch
- (2) Lock-off switch for on/off switch
- (3) Auxiliary handle (insulated gripping surface)^{A)}
- (4) Spindle lock button
- (5) Scale for mitre/bevel angles
- (6) Wing bolt for mitre/bevel angle preselection
- (7) Wing bolt for parallel guide
- (8) Cut mark 45°
- (9) Cut mark 0°
- (10) Parallel guide
- (11) Retracting blade guard
- (12) Base plate
- (13) Adjusting lever for retracting blade guard
- (14) Chip ejector
- (15) Protective guard
- (16) Handle (insulated gripping surface)
- (17) Hex key
- (18) Clamping bolt with washer
- (19) Clamping flange
- (20) Circular saw blade^{A)}
- (21) Saw spindle with mounting flange
- (22) Clamping lever for cutting depth preselection
- (23) Cutting depth scale
- (24) Pair of screw clamps^{B)}

A) **Accessories shown or described are not included with the product as standard. You can find the complete selection of accessories in our accessories range.**

B) **Commercially available (not included in the scope of delivery)**

Technical Data

Hand-held circular saw		GKS 140
Article number		3 601 FB3 0..
Rated power input	W	1400
No-load speed	rpm	6200
Max. cutting depth with 184 mm saw blade diameter		
– at a 0° mitre/bevel angle	mm	64
– at a 45° mitre/bevel angle	mm	45
Spindle lock		●
Base plate dimensions	mm	290 x 150
Max./min. saw blade diameter	mm	184
Max. base blade thickness	mm	2.0
Locating bore	mm	20
Weight according to EPTA-Procedure 01:2014	kg	3.7
Protection class		/ II

The specifications apply to a rated voltage [U] of 230 V. These specifications may vary at different voltages and in country-specific models.

Turn-on transients cause brief drops in voltage. Interference with other tools may occur in the event of unfavourable conditions in the electricity supply. Malfunctions are not to be expected for system impedances below **1.539** ohm.

Noise/Vibration Information

Noise emission values determined according to **EN 62841-2-5**.

Typically, the A-weighted noise level of the power tool is: Sound pressure level **96** dB(A); sound power level **107** dB(A). Uncertainty K = **3** dB.

Wear hearing protection

Total vibration values a_h (tri-ax vector sum) and uncertainty K determined according to **EN 62841-2-5**:

Sawing wood: $a_h < 2.5 \text{ m/s}^2$, $K = 1.5 \text{ m/s}^2$

The vibration level and noise emission value given in these instructions have been measured in accordance with a standardised measuring procedure and may be used to compare power tools. They may also be used for a preliminary estimation of vibration and noise emissions.

The stated vibration level and noise emission value represent the main applications of the power tool. However, if the power tool is used for other applications, with different application tools or is poorly maintained, the vibration level and noise emission value may differ. This may significantly increase the vibration and noise emissions over the total working period.

To estimate vibration and noise emissions accurately, the times when the tool is switched off or when it is running but not actually being used should also be taken into account. This may significantly reduce vibration and noise emissions over the total working period.

Implement additional safety measures to protect the operator from the effects of vibration, such as servicing the

power tool and application tools, keeping their hands warm, and organising workflows correctly.

Fitting

- ▶ **Only use saw blades the maximum permitted speed of which is higher than the no-load speed of the power tool.**

Inserting/changing the circular saw blade

- ▶ **Pull the plug out of the socket before carrying out any work on the power tool.**
- ▶ **Wear protective gloves when fitting the saw blade.**
Danger of injury when touching the saw blade.
- ▶ **Only use saw blades that match the specifications given in this operating manual and that are tested and marked in accordance with EN 847-1**
- ▶ **Do not use abrasive wheels as the application tool under any circumstances.**

Removing the saw blade (see figure A)

To change tools, we recommend that you place the power tool down on the front side of the motor housing.

- Press and hold the spindle lock button **(4)**.
- ▶ **Do not press the spindle lock button (4) while the saw spindle is moving.** The power tool may become damaged if this happens.
- Use the hex key **(17)** to undo the clamping bolt **(18)** in rotational direction **⌚**.
- Swing the retracting blade guard **(11)** back and hold on to it firmly.
- Remove the clamping flange **(19)** and the saw blade **(20)** from the saw spindle with mounting flange **(21)**.

Selecting the saw blade

You will find an overview of recommended saw blades at the end of these operating instructions.

Fitting the Saw Blade (see figure A)

To change tools, we recommend that you place the power tool down on the front side of the motor housing.

- Clean the saw blade **(20)** and all the clamping elements to be fitted.
- Swing the retracting blade guard **(11)** back and hold on to it firmly.
- Place the saw blade **(20)** on the saw spindle with mounting flange **(21)**. The cutting direction of the teeth (direction of the arrow on the saw blade) must match the rotational direction of the arrow on the protective guard **(15)**.
- Attach the clamping flange **(19)** and screw in the clamping bolt **(18)** in rotational direction **⌚**. Ensure that the saw spindle with mounting flange **(21)** and clamping flange **(19)** are installed in the correct position.
- Press and hold the spindle lock button **(4)**.
- Use the hex key **(17)** to tighten the clamping bolt **(18)** in rotational direction **⌚**. The tightening torque should be 6–9 Nm, which corresponds to hand-tight plus $\frac{1}{4}$ turn.

Dust/chip extraction

The dust from materials such as lead paint, some types of wood, minerals and metal can be harmful to human health. Touching or breathing in this dust can trigger allergic reactions and/or cause respiratory illnesses in the user or in people in the near vicinity.

Certain dusts, such as oak or beech dust, are classified as carcinogenic, especially in conjunction with wood treatment additives (chromate, wood preservative). Materials containing asbestos may only be machined by specialists.

- Use a dust extraction system that is suitable for the material wherever possible.
- Provide good ventilation at the workplace.
- It is advisable to wear a P2 filter class breathing mask.

The regulations on the material being machined that apply in the country of use must be observed.

- ▶ **Avoid dust accumulation at the workplace.** Dust can easily ignite.

Operation

Operating modes

- ▶ **Pull the plug out of the socket before carrying out any work on the power tool.**

Setting the Cutting Depth (see figure B)

- ▶ **Adapt the cutting depth to the thickness of the workpiece.** A space of less than the height of one full tooth should be visible under the workpiece.

Loosen the clamping lever **(22)**. For a smaller cutting depth, pull the saw away from the base plate **(12)**; for a larger cutting depth, push the saw towards the base plate **(12)**. Adjust the desired cutting depth at the cutting-depth scale. Retighten the clamping lever **(22)**.

If you are unable to fully adjust the cutting depth after loosening the clamping lever **(22)**, pull the clamping lever **(22)** away from the saw and swivel it downwards. Loosen the clamping lever **(22)** again. Repeat this process until the required cutting depth can be set.

If you are unable to adequately fix the cutting depth after tightening the clamping lever **(22)**, pull the clamping lever **(22)** away from the saw and swivel it upwards. Loosen the clamping lever **(22)** again. Repeat this process until the cutting depth is fixed.

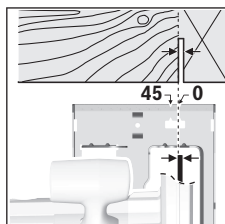
Adjusting the Mitre/Bevel Angle

We recommend that you place the power tool down on the front side of the protective guard **(15)**.

Loosen the wing bolt **(6)**. Swivel the saw to the side. Set the required mitre angle on the scale **(5)**. Retighten the wing bolt **(6)**.

Note: When making mitre cuts, the cutting depth is less than the value shown on the cutting depth scale **(23)**.

Cut marks



The 0° cut mark **(9)** indicates the position of the saw blade when making a right-angled cut. The 45° cut mark **(8)** indicates the position of the saw blade when making a 45° cut.

For a precise cut, place the circular saw against the workpiece as shown in the figure.

We recommend making a test cut.

Start-up

- ▶ **Pay attention to the mains voltage. The voltage of the power source must match the voltage specified on the rating plate of the power tool. Power tools marked with 230 V can also be operated with 220 V.**

- ▶ **Products that are only sold in AUS and NZ:** Use a residual current device (RCD) with a nominal residual current of 30 mA or less.

Switching on/off

- ▶ **Make sure that you are able to press the On/Off switch without releasing the handle.**

To **start** the power tool, first press the lock-off switch **(2)**, then press and hold the on/off switch **(1)**.

To **switch off** the power tool, release the on/off switch **(1)**.

Note: For safety reasons, the on/off switch **(1)** cannot be locked; it must remain pressed during the entire operation.

Practical advice

- ▶ **Pull the plug out of the socket before carrying out any work on the power tool.**

Protect saw blades against shock and impact.

Guide the power tool evenly, pushing it gently in the cutting direction. Applying too much pressure to the power tool when moving it in the cutting direction significantly reduces the service life of the application tools and can damage the power tool.

The sawing performance and the quality of the cut essentially depend on the condition and the tooth shape of the saw blade. This is why you should only use sharp saw blades that are suitable for the material being machined.

Sawing wood

Choosing the right saw blade depends on the wood type, wood quality and whether cuts with or against the grain are required.

Making cuts in spruce with the grain produces long, spiral-shaped chips.

Beech and oak dust is especially detrimental to health. Therefore, work only with dust extraction.

Sawing with a parallel guide (see figure C)

The parallel guide **(10)** allows you to make precise cuts along the edge of a workpiece and cut strips with the same dimensions.

Loosen the wing bolt (7) and slide the scale of the parallel guide (10) through the guide in the base plate (12). Adjust the desired cutting width as a scale value at the corresponding (9) or (8) cut mark, see the section "Cut marks". Retighten the wing bolt (7).

Sawing with an auxiliary guide (see figure D)

For working on large workpieces or for cutting straight edges, you can securely fasten a board or rail to the workpiece as an auxiliary guide. The circular saw can be guided along the path of this auxiliary guide with the base plate.

Maintenance and Service

Maintenance and cleaning

- ▶ **Pull the plug out of the socket before carrying out any work on the power tool.**
- ▶ **To ensure safe and efficient operation, always keep the power tool and the ventilation slots clean.**

The retracting blade guard must always be able to move freely and retract automatically. It is therefore important to keep the area around the retracting blade guard clean at all times. Remove dust and chips with a paintbrush.

Non-coated saw blades can be protected against corrosion using a thin layer of acid-free oil. Remove the oil again before sawing as failure to do so will stain the wood.

Resin or glue residue on the saw blade has a detrimental effect on the quality of the cut. You should therefore clean saw blades straight after use.

In order to avoid safety hazards, if the power supply cord needs to be replaced, this must be done by **Bosch** or by an after-sales service centre that is authorised to repair **Bosch** power tools.

After-Sales Service and Application Service

Our after-sales service responds to your questions concerning maintenance and repair of your product as well as spare parts. You can find explosion drawings and information on spare parts at: **www.bosch-pt.com**

The Bosch product use advice team will be happy to help you with any questions about our products and their accessories.

In all correspondence and spare parts orders, please always include the 10-digit article number given on the nameplate of the product.

Cambodia

Robert Bosch (Cambodia) Co., Ltd
Unit 8BC, GT Tower, 08th Floor, Street 169,
Czechoslovakia Blvd, Sangkat Veal Vong
Khan 7 Makara, Phnom Penh
VAT TIN: 100 169 511
Tel.: +855 23 900 685
Tel.: +855 23 900 660
www.bosch.com.kh

People's Republic of China China Mainland

Bosch Power Tool (China) Co. Ltd.
Bosch Service Center
567, Bin Kang Road
Bin Kang District
Hangzhou, Zhejiang Province
China 310052
Tel.: (0571) 8887 5566 / 5588
Fax: (0571) 8887 6688 x 5566# / 5588#
E-Mail: bsc.hz@cn.bosch.com
www.bosch-pt.com.cn

HK and Macau Special Administrative Regions

Robert Bosch Co. Ltd.
Flat B, 2/F, Yeung Yiu Chung No. 6 Industrial Building,
19 Cheung Shun Street
Cheung Sha Wan
Kowloon, Hong Kong
Customer Service Hotline: +852 2101 0235
Fax: +852 2590 9762
E-Mail: info@hk.bosch.com
www.bosch-pt.com.hk

India

Bosch Service Center
69, Habibullah Road, (next to PSBB School), T. Nagar
Chennai-600077
Phone: (044) 64561816
Bosch Service Center Rishyamook
85A, Panchkuin Road
New Delhi-110001
Phone: (011) 43166190
Bosch Service Center 79,
Crystal Bldg., Dr. Annie Besant Road, Worli
Mumbai-400018
Phone: (022) 39569936 / (022) 39569959 /
(022) 39569967 / (022) 24952071

Indonesia

PT Robert Bosch
Palma Tower 10th Floor
Jalan RA Kartini II-S Kaveling 6
Pondok Pinang, Kebayoran Lama
Jakarta Selatan 12310
Tel.: (21) 3005-5800
www.bosch-pt.co.id

Malaysia

Robert Bosch Sdn. Bhd. (220975-V) PT/SMY
No. 8A, Jalan 13/6
46200 Petaling Jaya
Selangor
Tel.: (03) 79663194
Toll-Free: 1800 880188
Fax: (03) 79583838
E-Mail: kiathoe.chong@my.bosch.com
www.bosch-pt.com.my

Pakistan

Robert Bosch Middle East FZE – Pakistan Liaison Office
2nd Floor Plaza # 10, CCA Block, DHA Phase 5

Lahore, 54810
Phone: +92(303)4444311
Email: Faisal.Khan@bosch.com

Philippines

Robert Bosch, Inc.
28th Floor Fort Legend Towers,
3rd Avenue corner 31st Street,
Fort Bonifacio, Global City,
1634 Taguig City
Tel.: (632) 8703871
Fax: (632) 8703870
www.bosch-pt.com.ph

Singapore

Powerwell Service Centre Ptd Ltd
Bosch Authorised Service Centre (Power Tools)
4012 Ang Mo Kio Ave 10, #01-02 TECHplace
Singapore 569628
Tel.: 6452 1770
Fax: 6452 1760
E-Mail: ask@powerwellsc.com
www.powerwellsc.com
www.bosch-pt.com.sg

Thailand

Robert Bosch Ltd.
FYI Center Tower 1, 5th Floor,
2525 Rama IV Road, Klongtoei,
Bangkok 10110
Tel.: 02 0128888
Fax: 02 0645802
www.bosch.co.th

Bosch Service – Training Centre
La Salle Tower Ground Floor Unit No.2
10/11 La Salle Moo 16
Srinakharin Road
Bangkaew, Bang Plee
Samutprakarn 10540
Tel.: 02 7587555
Fax: 02 7587525

Vietnam

Branch of Bosch Vietnam Co., Ltd in HCMC
14th floor, Deutsches Haus, 33 Le Duan
Ben Nghe Ward, District 1, Ho Chi Minh City
Tel.: (028) 6258 3690
Fax: (028) 6258 3692 - 6258 3694
Hotline: (028) 6250 8555
Email: tuvankhachhang-pt@vn.bosch.com
www.bosch-pt.com.vn

Kyrgyzstan, Mongolia, Tajikistan, Turkmenistan, Uzbekistan

TOO "Robert Bosch" Power Tools, After Sales Service
Muratbaev Ave., 180
050012, Almaty, Kazakhstan
Service Email: service.pt.ka@bosch.com
Official Website: www.bosch.com, www.bosch-pt.com

Armenia, Azerbaijan, Georgia

Robert Bosch Ltd.
David Agmashenebeli ave. 61
0102 Tbilisi, Georgia
Tel. +995322510073
www.bosch.com

Bahrain

EA Juffali and Brothers for Technical Equipment Company.
Kingdom of Bahrain, Al Aker - Block 0624 - Road 2403 -
Building 0055D
Phone: +97317704537
Fax: +973177045257
Email: h.berjas@eajb.com.sa

Egypt

RBEG-LLC
22 Kamal Eldin Hussein
Sheraton Heliopolis
11799 Cairo
E-mail: boschegypt.powertools@eg.bosch.com

Iran

Robert Bosch Iran
3rd Floor, No 3, Maadiran Building
Aftab St., Khodami St., Vanak Sq.
Tehran 1994834571
Phone: +9821- 86092057

Iraq

Sahba Technology Group
Al Muthana airport road
Baghdad
Phone Bagdad: +964 (0) 7 901 930366
Phone Dubai: +971 (0) 4 422 1898
Email: duraid@sahbatechnology.com

Jordan

Roots Arabia – Jordan
Al-Hurriyah Street, Al-Muqabalein
Amman 11623, Jordan
P.O. Box: 110068
Tel. : +962 6 4398990
E-mail: bosch@rootsjordan.com

Kuwait

Shuwaikh Industrial Area, Block 1, Plot 16, Street 3rd
P.O. Box 164 – Safat 13002
Phone: +965 - 2496 88 88
Fax: +965 - 2481 08 79
E-mail: josephkr@aaalmutawa.com

Lebanon

Tehini Hana & Co. S.A.R.L.
P.O. Box 90-449
Jdeideh 1202 2040
Dora-Beirut
Phone: +9611255211
Email: service-pt@tehini-hana.com

Libya

El Naser for Workshop Tools
Swanee Road, Alfalah Area

Tripoli
Phone: +218 21 4811184

Oman

Malatan Trading & Contracting LLC
P.O. Box 131, Ruwi, Muscat
Postal Code: 112, Sultanate of Oman
Phone: +968 2479 4035/4089/4901
Mob: +968-91315465
Fax: +968 2479 4058
E-Mail: sudhirkumar@malatan.net

Qatar

International Construction Solutions W L L
P. O. Box 51, Doha
Phone: +974 40065458
Fax: +974 4453 8585
Email: csd@icsdoha.com

Saudi Arabia

Juffali Technical Equipment Co. (JTECO)
P.O.Box: 1049 – Jeddah 21431 – KSA
Jeddah: 00966 (0) 12 692 0770 – Ext 433
Riyadh: 00966 (0) 11 409 3976 – Ext-30/34/39
Dammam: 00966 (0) 13 833 9565
E-mail: M.Zreik@ejab.com.sa

Syria

Dallal Establishment for Power Tools
Damascus. Baramkeh street - Ibn Amer street,
Phone: +963112241006 or 009631122414009
Mobile: 00963991141005
Email: rita.dallal@hotmail.com

United Arab Emirates

Central Motors & Equipment,
P.O. Box 26255, Dubai
Dubai: 00971 (0) 4 3090920/3090930
Abu Dhabi: 00971 (0) 2 4017745
Sharjah: 00971 (0) 6 5932777
Al Ain: 00971 (0) 3 7157419
E-Mail: Mallappa.Madari@centralmotors.ae

Yemen

Abu Alrejal Trading Corporation
P.O. Box : 17024 , Zubeiry St.
Sana'a, Yemen
Tel: +967-1-20 20 10
Fax: +967-1-47 19 17
E-mail: tech-tools@abualrejal.com/yahya@abualrejal.com

Ethiopia

Forever plc
Kebele 2,754, BP 4806,
Addis Ababa
Phone: +251 111 560 600
Email: foreverplc@ethionet.et

Ghana

Robert Bosch Ghana Limited
21 Kofi Annan Road Airport Residential Area Accra
Tel. +233 (0)3027 94616

Kenya

Robert Bosch East Africa Ltd
Mpaka Road P.O. Box 856
00606 Nairobi

Nigeria

Robert Bosch Nigeria Ltd.
52–54 Isaac John Street P.O. Box
GRA Ikeja – Lagos

Republic of South Africa

Customer service

Hotline: (011) 6519600

Gauteng – BSC Service Centre

35 Roper Street, New Centre
Johannesburg
Tel.: (011) 4939375
Fax: (011) 4930126
E-Mail: bsctools@icon.co.za

KZN – BSC Service Centre

Unit E, Almar Centre
143 Crompton Street
Pinetown
Tel.: (031) 7012120
Fax: (031) 7012446
E-Mail: bsc.dur@za.bosch.com

Western Cape – BSC Service Centre

Democracy Way, Prosperity Park
Milnerton
Tel.: (021) 5512577
Fax: (021) 5513223
E-Mail: bsc@zsd.co.za

Bosch Headquarters

Midrand, Gauteng
Tel.: (011) 6519600
Fax: (011) 6519880
E-Mail: rbsa-hq.pts@za.bosch.com

Tanzania

Diesel & Autoelectric Service Ltd.
117 Nyerere Rd., P.O. Box 70839
Vingunguti 12109, Dar Es Salaam
Phone: +255 222 861 793/794

Australia, New Zealand and Pacific Islands

Robert Bosch Australia Pty. Ltd.
Power Tools
Locked Bag 66
Clayton South VIC 3169
Customer Contact Center
Inside Australia:
Phone: (01300) 307044
Fax: (01300) 307045
Inside New Zealand:
Phone: (0800) 543353
Fax: (0800) 428570
Outside AU and NZ:
Phone: +61 3 95415555
www.bosch-pt.com.au
www.bosch-pt.co.nz

Disposal

The power tool, accessories and packaging should be recycled in an environmentally friendly manner.



Do not dispose of power tools along with household waste.

Only for EU countries:

According to the European Directive 2012/19/EU on Waste Electrical and Electronic Equipment and its implementation into national law, power tools that are no longer usable must be collected separately and disposed of in an environmentally friendly manner.

Français

Consignes de sécurité

Avertissements de sécurité généraux pour l'outil électrique

AVERTISSEMENT

Lire tous les avertissements de sécurité, les instructions, les illustrations et les spécifications fournis

avec cet outil électrique. Ne pas suivre les instructions énumérées ci-dessous peut provoquer un choc électrique, un incendie et/ou une blessure sérieuse.

Conserver tous les avertissements et toutes les instructions pour pouvoir s'y reporter ultérieurement.

Le terme "outil électrique" dans les avertissements fait référence à votre outil électrique alimenté par le secteur (avec cordon d'alimentation) ou votre outil électrique fonctionnant sur batterie (sans cordon d'alimentation).

Sécurité de la zone de travail

- ▶ **Conserver la zone de travail propre et bien éclairée.**
Les zones en désordre ou sombres sont propices aux accidents.
- ▶ **Ne pas faire fonctionner les outils électriques en atmosphère explosive, par exemple en présence de liquides inflammables, de gaz ou de poussières.** Les outils électriques produisent des étincelles qui peuvent enflammer les poussières ou les fumées.
- ▶ **Maintenir les enfants et les personnes présentes à l'écart pendant l'utilisation de l'outil électrique.** Les distractions peuvent vous faire perdre le contrôle de l'outil.

Sécurité électrique

- ▶ **Il faut que les fiches de l'outil électrique soient adaptées au socle. Ne jamais modifier la fiche de quelque façon que ce soit. Ne pas utiliser d'adaptateurs avec des outils électriques à branchement de terre.** Des fiches non modifiées et des socles adaptés réduisent le risque de choc électrique.

- ▶ **Éviter tout contact du corps avec des surfaces reliées à la terre telles que les tuyaux, les radiateurs, les cuisinières et les réfrigérateurs.** Il existe un risque accru de choc électrique si votre corps est relié à la terre.
- ▶ **Ne pas exposer les outils électriques à la pluie ou à des conditions humides.** La pénétration d'eau à l'intérieur d'un outil électrique augmente le risque de choc électrique.
- ▶ **Ne pas maltraiter le cordon. Ne jamais utiliser le cordon pour porter, tirer ou débrancher l'outil électrique. Maintenir le cordon à l'écart de la chaleur, du lubrifiant, des arêtes vives ou des parties en mouvement.** Des cordons endommagés ou emmêlés augmentent le risque de choc électrique.
- ▶ **Lorsqu'on utilise un outil électrique à l'extérieur, utiliser un prolongateur adapté à l'utilisation extérieure.** L'utilisation d'un cordon adapté à l'utilisation extérieure réduit le risque de choc électrique.
- ▶ **Si l'usage d'un outil électrique dans un emplacement humide est inévitable, utiliser une alimentation protégée par un dispositif à courant différentiel résiduel (RCD).** L'usage d'un RCD réduit le risque de choc électrique.

Sécurité des personnes

- ▶ **Rester vigilant, regarder ce que vous êtes en train de faire et faire preuve de bon sens dans votre utilisation de l'outil électrique. Ne pas utiliser un outil électrique lorsque vous êtes fatigué ou sous l'emprise de drogues, de l'alcool ou de médicaments.** Un moment d'inattention en cours d'utilisation d'un outil électrique peut entraîner des blessures graves.
- ▶ **Utiliser un équipement de protection individuelle. Toujours porter une protection pour les yeux.** Les équipements de protection individuelle tels que les masques contre les poussières, les chaussures de sécurité antidérapantes, les casques ou les protections auditives utilisés pour les conditions appropriées réduisent les blessures.
- ▶ **Éviter tout démarrage intempestif. S'assurer que l'interrupteur est en position arrêté avant de brancher l'outil au secteur et/ou au bloc de batteries, de le ramasser ou de le porter.** Porter les outils électriques en ayant le doigt sur l'interrupteur ou brancher des outils électriques dont l'interrupteur est en position marche est source d'accidents.
- ▶ **Retirer toute clé de réglage avant de mettre l'outil électrique en marche.** Une clé laissée fixée sur une partie tournante de l'outil électrique peut donner lieu à des blessures.
- ▶ **Ne pas se précipiter. Garder une position et un équilibre adaptés à tout moment.** Cela permet un meilleur contrôle de l'outil électrique dans des situations inattendues.
- ▶ **S'habiller de manière adaptée. Ne pas porter de vêtements amples ou de bijoux. Garder les cheveux et les vêtements à distance des parties en mouvement.** Des

vêtements amples, des bijoux ou les cheveux longs peuvent être pris dans des parties en mouvement.

- ▶ **Si des dispositifs sont fournis pour le raccordement d'équipements pour l'extraction et la récupération des poussières, s'assurer qu'ils sont connectés et correctement utilisés.** Utiliser des collecteurs de poussière peut réduire les risques dus aux poussières.
- ▶ **Rester vigilant et ne pas négliger les principes de sécurité de l'outil sous prétexte que vous avez l'habitude de l'utiliser.** Une fraction de seconde d'inattention peut provoquer une blessure grave.

Utilisation et entretien de l'outil électrique

- ▶ **Ne pas forcer l'outil électrique. Utiliser l'outil électrique adapté à votre application.** L'outil électrique adapté réalise mieux le travail et de manière plus sûre au régime pour lequel il a été construit.
- ▶ **Ne pas utiliser l'outil électrique si l'interrupteur ne permet pas de passer de l'état de marche à arrêt et inversement.** Tout outil électrique qui ne peut pas être commandé par l'interrupteur est dangereux et il faut le réparer.
- ▶ **Débrancher la fiche de la source d'alimentation et/ou enlever le bloc de batteries, s'il est amovible, avant tout réglage, changement d'accessoires ou avant de ranger l'outil électrique.** De telles mesures de sécurité préventives réduisent le risque de démarrage accidentel de l'outil électrique.
- ▶ **Conserver les outils électriques à l'arrêt hors de la portée des enfants et ne pas permettre à des personnes ne connaissant pas l'outil électrique ou les présentes instructions de le faire fonctionner.** Les outils électriques sont dangereux entre les mains d'utilisateurs novices.
- ▶ **Observer la maintenance des outils électriques et des accessoires. Vérifier qu'il n'y a pas de mauvais alignement ou de blocage des parties mobiles, des pièces cassées ou toute autre condition pouvant affecter le fonctionnement de l'outil électrique. En cas de dommages, faire réparer l'outil électrique avant de l'utiliser.** De nombreux accidents sont dus à des outils électriques mal entretenus.
- ▶ **Garder affûtés et propres les outils permettant de couper.** Des outils destinés à couper correctement entretenus avec des pièces coupantes tranchantes sont moins susceptibles de bloquer et sont plus faciles à contrôler.
- ▶ **Utiliser l'outil électrique, les accessoires et les lames etc., conformément à ces instructions, en tenant compte des conditions de travail et du travail à réaliser.** L'utilisation de l'outil électrique pour des opérations différentes de celles prévues peut donner lieu à des situations dangereuses.
- ▶ **Il faut que les poignées et les surfaces de préhension restent sèches, propres et dépourvues d'huiles et de graisses.** Des poignées et des surfaces de préhension glissantes rendent impossibles la manipulation et le

contrôle en toute sécurité de l'outil dans les situations inattendues.

Maintenance et entretien

- ▶ **Faire entretenir l'outil électrique par un réparateur qualifié utilisant uniquement des pièces de rechange identiques.** Cela assure le maintien de la sécurité de l'outil électrique.

Consignes de sécurité pour scies circulaires

Procédures de coupe

- ▶ **⚠ DANGER: N'approchez pas les mains de la zone de coupe et de la lame. Gardez la deuxième main sur la poignée auxiliaire ou sur le boîtier du moteur.** Si les deux mains tiennent la scie, elles ne peuvent pas être coupées par la lame.
- ▶ **N'exposez aucune partie de votre corps sous la pièce à travailler.** Le protecteur ne peut pas vous protéger de la lame sous la pièce.
- ▶ **Ajustez la profondeur de coupe à l'épaisseur de la pièce à travailler.** Il convient que moins de la totalité d'une dent parmi toutes les dents de la lame soit visible sous la pièce.
- ▶ **Ne tenez jamais la pièce à travailler dans vos mains ou sur vos jambes pendant la coupe. Assurez-vous que la pièce à travailler se trouve sur une plate-forme stable.** Il est important que la pièce soit soutenue convenablement, afin de minimiser l'exposition du corps, le grippage de la lame, ou la perte de contrôle.
- ▶ **Maintenez l'outil uniquement par les surfaces de prise isolantes, si l'outil coupant, en marche, peut être en contact avec des conducteurs cachés ou avec son propre cordon d'alimentation.** Le contact avec un fil "sous tension" mettra également "sous tension" les parties métalliques exposées de l'outil et pourrait provoquer un choc électrique sur l'opérateur.
- ▶ **Lors d'une coupe, utilisez toujours un guide parallèle ou un guide à bords droits.** Cela améliore la précision de la coupe et réduit les risques de grippage de la lame.
- ▶ **Utilisez toujours des lames dont la taille et la forme (diamant et rond) des alésages centraux sont convenable.** Les lames qui ne correspondent pas aux éléments de montage de la scie se décentreront, provoquant une perte de contrôle.
- ▶ **N'utilisez jamais de rondelles ou de boulons de lames endommagés ou inadaptés.** Les rondelles et les boulons de lames ont été spécialement conçus pour votre scie, afin de garantir une performance optimale et une sécurité de fonctionnement.

Causes du recul et mises en garde correspondantes

- le recul est une réaction soudaine observée sur une lame de scie pincée, bloquée ou mal alignée, faisant sortir la scie de la pièce à travailler de manière incontrôlée dans la direction de l'opérateur;

– lorsque la lame est pincée ou bloquée fermement par le fond du trait de scie, la lame se bloque et le moteur fait retourner brutalement le bloc à l'opérateur;

– si la lame se tord ou est mal alignée lors de la coupe, les dents sur le bord arrière de la lame peuvent creuser la face supérieure du bois, ce qui fait que la lame sort du trait de scie et est projetée sur l'opérateur.

Le recul est le résultat d'un mauvais usage de la scie et/ou de procédures ou de conditions de fonctionnement incorrectes et peut être évité en prenant les précautions adéquates spécifiées ci-dessous.

- ▶ **Maintenez fermement la scie avec les deux mains et positionnez vos bras afin de résister aux forces de recul. Positionnez votre corps d'un des côtés de la lame, mais pas dans l'alignement de la lame.** Le recul peut faire revenir la scie en arrière, mais les forces de recul peuvent être maîtrisées par l'opérateur, si les précautions adéquates sont prises.
- ▶ **Lorsque la lame est grippée ou lorsqu'une coupe est interrompue pour quelque raison que ce soit, relâchez le bouton de commande et maintenez la scie immobile dans le matériau, jusqu'à ce que la lame arrête complètement de fonctionner. N'essayez jamais de retirer la pièce de la pièce à travailler ou tirez la scie en arrière pendant que la lame est en mouvement ou que le recul peut se produire.** Recherchez et prenez des mesures correctives afin d'empêcher que la lame ne se grippe.
- ▶ **Lorsque vous remettez en marche une scie dans la pièce à travailler, centrez la lame de scie dans le trait de scie, de sorte que les dents de la scie ne soient pas rentrées dans le matériau.** Si la lame de scie est grippée, elle peut venir chevaucher la pièce à travailler ou en sortir lorsque la scie est remise en fonctionnement.
- ▶ **Placez des panneaux de grande taille sur un support afin de minimiser les risques de pincement de la lame et de recul.** Les grands panneaux ont tendance à fléchir sous leur propre poids. Les supports doivent être placés sous le panneau des deux côtés, près de la ligne de coupe et près du bord du panneau.
- ▶ **N'utilisez pas de lames émoussées ou endommagées.** Des lames non aiguisées ou mal fixées entraînent un trait de scie rétréci, provoquant trop de frottements, un grippage de la lame et un recul.
- ▶ **La profondeur de la lame et les leviers de verrouillage et de réglage du biseau doivent être solides et stables avant de réaliser la coupe.** Si l'ajustement de la lame dérive pendant la coupe, cela peut provoquer un grippage et un recul.
- ▶ **Soyez d'autant plus prudent lorsque vous découpez des parois existantes ou d'autres zones sans visibilité.** La lame saillante peut couper des objets qui peuvent entraîner un recul.

Fonctionnement du protecteur inférieur

- ▶ **Vérifiez que le protecteur inférieur soit bien fermé avant chaque utilisation. Ne mettez pas la scie en marche si le protecteur inférieur ne se déplace pas li-**

brement et ne se ferme pas instantanément. Ne serrez jamais ou n'attachez jamais le protecteur inférieur en position ouverte. Si la scie tombe accidentellement, le protecteur inférieur peut se tordre. Soulevez le protecteur inférieur avec la poignée rétractive et assurez-vous qu'il bouge librement et n'est pas en contact avec la lame ou toute autre partie, à tous les angles et profondeurs de coupe.

- ▶ **Vérifiez le fonctionnement du ressort du protecteur inférieur. Si le protecteur et le ressort ne fonctionnent pas correctement, ils doivent être révisés avant utilisation.** Le protecteur inférieur peut fonctionner lentement en raison d'éléments endommagés, de dépôts collants ou de l'accumulation de débris.
- ▶ **Le protecteur inférieur peut revenir se loger manuellement uniquement pour les coupes particulières telles que les «coupes plongeantes» et les «coupes complexes».** Soulevez le protecteur inférieur par la poignée rétractive et, dès que la lame entre dans le matériau, le protecteur inférieur doit être relâché. Pour toutes les autres découpes, il convient que le protecteur inférieur fonctionne automatiquement.
- ▶ **Vérifiez toujours que le protecteur inférieur recouvre la lame avant de poser la scie sur un établi ou sur le sol.** Une lame non protégée et continuant à fonctionner par inertie entraînera la scie en arrière, et coupera alors tout ce qui se trouve sur sa trajectoire. Soyez conscient du temps nécessaire à la lame pour s'arrêter après que l'interrupteur est relâché.

Consignes de sécurité additionnelles

- ▶ **Ne mettez jamais la main dans l'éjecteur de copeaux.** Vous risqueriez d'être blessé par des pièces en rotation.
- ▶ **N'utilisez pas la scie pour effectuer des travaux en hauteur.** Il est alors difficile de bien maîtriser l'outil électroportatif.
- ▶ **Utilisez un détecteur approprié pour vérifier s'il n'y a pas de conduites cachées ou contactez votre société de distribution d'eau locale.** Tout contact avec des câbles électriques peut provoquer un incendie ou un choc électrique. Tout endommagement d'une conduite de gaz peut provoquer une explosion. La perforation d'une conduite d'eau provoque des dégâts matériels et peut provoquer un choc électrique.
- ▶ **Lors du travail, tenez fermement l'outil électroportatif des deux mains et veillez à toujours garder une position de travail stable.** Avec les deux mains, l'outil électroportatif est guidé en toute sécurité.
- ▶ **N'utilisez pas l'outil électroportatif de manière stationnaire.** Il n'est pas conçu pour être utilisé avec une table de sciage.
- ▶ **Pour effectuer des coupes plongeantes non perpendiculaires, faites en sorte que la semelle de la scie ne risque pas de se déplacer latéralement.** Un déplacement latéral risque de provoquer le blocage de la lame et donc un phénomène de rebond.

- ▶ **Bloquez la pièce à travailler.** Une pièce à travailler serrée par des dispositifs de serrage appropriés ou dans un étau est fixée de manière plus sûre que quand elle est tenue avec une main.
- ▶ **Avant de poser l'outil électroportatif, attendez que celui-ci soit complètement à l'arrêt.** L'outil risque de se coincer, ce qui entraînerait une perte de contrôle de l'outil électroportatif.
- ▶ **N'utilisez pas de lames en acier HSS (acier super rapide).** De telles lames se cassent facilement.
- ▶ **Ne sciez pas des métaux ferreux.** Les copeaux incandescents risquent d'enflammer le dispositif d'aspiration de poussières.
- ▶ **Portez un masque anti-poussières.**

Description des prestations et du produit



Lisez attentivement toutes les instructions et consignes de sécurité. Le non-respect des instructions et consignes de sécurité peut provoquer un choc électrique, un incendie et/ou entraîner de graves blessures.

Référez-vous aux illustrations qui se trouvent à l'avant de la notice d'utilisation.

Utilisation conforme

L'outil électroportatif est conçu pour réaliser, à l'aide d'un support stable, des coupes longitudinales et transversales droites et biaisées dans le bois.

Éléments constitutifs

La numérotation des éléments de l'appareil se réfère à la représentation de l'outil électroportatif sur la page graphique.

- (1) Interrupteur Marche/Arrêt
- (2) Verrouillage d'enclenchement de l'interrupteur Marche/Arrêt
- (3) Poignée supplémentaire (surface de préhension isolée)^{A)}
- (4) Bouton de blocage de broche
- (5) Échelle graduée d'angles d'inclinaison
- (6) Vis papillon pour présélection de l'angle d'inclinaison
- (7) Vis papillon pour la butée parallèle
- (8) Marquage de coupe à 45°
- (9) Marquage de coupe à 0°
- (10) Butée parallèle
- (11) Capot de protection à mouvement pendulaire
- (12) Plaque de base
- (13) Levier de réglage pour capot de protection à mouvement pendulaire
- (14) Éjecteur de copeaux
- (15) Capot de protection
- (16) Poignée (surface de préhension isolée)

- (17) Clé mâle pour vis à six pans creux
- (18) Vis de serrage avec rondelle
- (19) Flasque de serrage
- (20) Lame de scie circulaire^{A)}
- (21) Broche avec flasque porte-lame
- (22) Levier de serrage pour présélection de la profondeur de coupe
- (23) Échelle graduée de profondeur de coupe
- (24) Paire de serre-joints^{B)}

A) **Les accessoires décrits ou illustrés ne sont pas tous compris dans la fourniture. Vous trouverez les accessoires complets dans notre gamme d'accessoires.**

B) **disponible dans le commerce (non fourni)**

Caractéristiques techniques

Scie circulaire	GKS 140	
Référence		3 601 FB3 0..
Puissance absorbée nominale	W	1 400
Régime à vide	tr/min	6 200
Profondeur de coupe maxi avec diamètre de lame 184 mm		
– pour un angle d'inclinaison de 0°	mm	64
– pour un angle d'inclinaison de 45°	mm	45
Blocage de broche		●
Dimensions de la plaque de base	mm	290 x 150
Diamètre de lame maxi/mini	mm	184
Épaisseur de lame maxi	mm	2,0
Alésage	mm	20
Poids selon EPTA-Procédure 01:2014	kg	3,7
Indice de protection		/ II

Les données indiquées sont valables pour une tension nominale [U] de 230 V. Elles peuvent varier lorsque la tension diffère de cette valeur et sur certaines versions destinées à certains pays.

La mise en route de la scie provoque une baisse de tension momentanée. En cas de conditions réseau défavorables, le fonctionnement d'autres appareils risque alors d'être perturbé. Pour des impédances de secteur inférieures à **1,539 Ohm**, il est assez improbable que des perturbations se produisent.

Informations sur le niveau sonore / les vibrations

Valeurs d'émissions sonores déterminées selon la norme **EN 62841-2-5**.

Le niveau sonore en dB(A) typique de l'outil électroportatif est de : niveau de pression acoustique **96 dB(A)** ; niveau de puissance acoustique **107 dB(A)**. Incertitude K = **3 dB**.

Portez un casque antibruit !

Valeurs globales de vibration a_h (somme vectorielle sur les trois axes) et incertitude K conformément à **EN 62841-2-5** :

Sciage du bois : $a_h < 2,5 \text{ m/s}^2$, K = **1,5 m/s}^2**

Le niveau de vibration et la valeur d'émission sonore indiqués dans cette notice d'utilisation ont été mesurés conformément à la norme et peuvent être utilisés pour une comparaison entre les outils électroportatifs. Ils peuvent aussi servir de base à une estimation préliminaire du taux de vibration et du niveau sonore.

Le niveau de vibration et la valeur d'émission sonore indiqués s'appliquent pour les utilisations principales de l'outil électroportatif. Si l'outil électroportatif est utilisé pour d'autres applications, avec d'autres accessoires de travail ou sans avoir fait l'objet d'un entretien régulier, le niveau de vibration et la valeur d'émission sonore peuvent différer. Il peut en résulter des vibrations et un niveau sonore nettement plus élevés pendant toute la durée de travail.

Pour une estimation précise du niveau de vibration et du niveau sonore, il faut aussi prendre en considération les périodes pendant lesquelles l'outil est éteint ou bien en marche sans être vraiment en action. Il peut en résulter au final un niveau de vibration et un niveau sonore nettement plus faibles pendant toute la durée de travail.

Prévoyez des mesures de protection supplémentaires permettant de protéger l'utilisateur de l'effet des vibrations, par exemple : maintenance de l'outil électroportatif et des accessoires de travail, maintien des mains au chaud, organisation des procédures de travail.

Montage

- **N'utilisez que des lames de scie dont la vitesse de rotation maximale admissible est supérieure au régime à vide de votre outil électroportatif.**

Montage/changement de la lame de scie

- **Débranchez le câble d'alimentation de la prise avant d'effectuer des travaux quels qu'il soient sur l'outil électroportatif.**
- **Portez toujours des gants de protection pour monter la lame de scie.** Lors d'un contact avec la lame de scie, il y a un risque de blessures.
- **N'utilisez que des lames de scie conformes aux caractéristiques techniques indiquées dans la présente notice d'utilisation et sur l'outil électroportatif, qui ont été contrôlées selon la norme EN 847-1 et qui disposent du marquage correspondant.**
- **N'utilisez jamais de roues abrasives comme accessoire de travail.**

Retrait de la lame de scie (voir figure A)

Pour changer de lame, le mieux est de poser l'outil électroportatif sur la partie avant du carter moteur.

- Appuyez sur le bouton de blocage de broche (4) et maintenez-le enfoncé.
- **N'actionnez la touche de blocage de broche (4) que lorsque la broche d'entraînement est à l'arrêt.** L'outil électroportatif risque sinon d'être endommagé.
- Dévissez avec la clé mâle pour vis à six pans creux (17) la vis de serrage (18) dans le sens de rotation ①.

- Rabattez vers l'arrière le capot de protection à mouvement pendulaire (11) et tenez-le fermement.
- Retirez le flasque de serrage (19) et la lame (20) de la broche avec le flasque porte-lame (21).

Choix de la lame de scie

Vous trouverez une vue d'ensemble des lames de scie recommandées à la fin de cette notice d'utilisation.

Mise en place d'une lame de scie (voir figure A)

Pour changer de lame, le mieux est de poser l'outil électroportatif sur la partie avant du carter moteur.

- Nettoyez la lame de scie (20) et toutes les pièces de fixation.
- Rabattez vers l'arrière le capot de protection à mouvement pendulaire (11) et tenez-le fermement.
- Placez la lame de scie (20) sur la broche avec flasque porte-lame (21). Le sens de coupe des dents (direction de la flèche sur la lame de scie) et la flèche indiquant le sens de rotation sur le capot de protection (15) doivent coïncider.
- Placez le flasque de serrage (19) et vissez la vis de serrage (18) dans le sens de rotation ②. Veillez à bien positionner la broche avec flasque porte-lame (21) et le flasque de serrage (19).
- Appuyez sur le bouton de blocage de broche (4) et maintenez-le enfoncé.
- À l'aide de la clé mâle pour vis à six pans creux (17), serrez la vis de serrage (18) dans le sens de rotation ②. Le couple de serrage doit être de 6 à 9 Nm, ce qui correspond à un serrage manuel plus ¼ de tour.

Aspiration de poussières/de copeaux

Les poussières de matériaux tels que peintures contenant du plomb, certains bois, minéraux ou métaux, peuvent être nuisibles à la santé. Le contact avec les poussières ou leur inhalation peut entraîner des réactions allergiques et/ou des maladies respiratoires auprès de l'utilisateur ou des personnes se trouvant à proximité.

Certaines poussières telles que les poussières de chêne ou de hêtre sont considérées comme cancérigènes, surtout en association avec des additifs pour le traitement du bois (chromate, lasure). Les matériaux contenant de l'amiante ne doivent être travaillés que par des personnes qualifiées.

- Si possible, utilisez un dispositif d'aspiration des poussières approprié au matériau.
- Veillez à bien aérer la zone de travail.
- Il est recommandé de porter un masque respiratoire avec un niveau de filtration de classe P2.

Respectez les règlements spécifiques aux matériaux à traiter en vigueur dans votre pays.

- **Évitez toute accumulation de poussières sur le lieu de travail.** Les poussières peuvent facilement s'enflammer.

Utilisation

Modes de fonctionnement

- **Débranchez le câble d'alimentation de la prise avant d'effectuer des travaux quels qu'il soient sur l'outil électroportatif.**

Réglage de la profondeur de coupe (voir figure B)

- **Adaptez la profondeur de coupe à l'épaisseur de la pièce.** Il convient que moins de la totalité d'une dent parmi toutes les dents de la lame soit visible sous la pièce à travailler.

Desserrez le levier de serrage (22). Pour réduire la profondeur de coupe, éloignez la scie de la plaque de base (12), pour l'augmenter, rapprochez la scie de la plaque (12). Réglez la mesure souhaitée sur la graduation de la profondeur de coupe. Resserrez le levier de serrage (22).

Si, après avoir desserré le levier de serrage (22), la profondeur de coupe ne peut pas être entièrement réglée, retirez le levier de serrage (22) de la scie et poussez-le vers le bas. Relâchez le levier de serrage (22). Répétez cette opération jusqu'à ce que la profondeur souhaitée de coupe puisse être réglée.

Si, après avoir serré le levier de serrage (22) la profondeur de coupe ne peut pas être convenablement réglée, retirez le levier de serrage (22) de la scie et poussez-le vers le haut. Relâchez le levier de serrage (22). Répétez cette opération jusqu'à ce que la profondeur de coupe soit réglée.

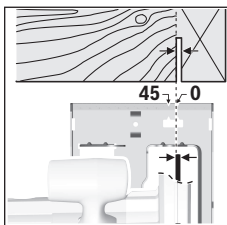
Réglage de l'angle d'inclinaison

Nous recommandons de poser l'outil électroportatif sur la partie avant du capot de protection (15).

Desserrez le vis papillon (6). Faites basculer la scie latéralement. Réglez la mesure souhaitée sur la graduation (5). Bien resserrer le vis papillon (6).

Remarque : Lors des coupes d'onglet, la profondeur de coupe est plus faible que la valeur indiquée sur la graduation de profondeur de coupe (23).

Marquages de la ligne de coupe



Le marquage de coupe 0° (9) indique la position de la lame de scie lors d'une coupe à angle droit. Le marquage de coupe 45° (8) indique la position de la lame de scie lors d'une coupe à angle de 45°. Afin d'obtenir une coupe de grande précision dimensionnelle, positionnez la scie cir-

culaire conformément aux indications sur la figure sur la pièce à travailler. Le mieux est d'effectuer une coupe d'essai.

Mise en marche

- **Tenez compte de la tension du réseau ! La tension de la source de courant doit correspondre aux indications se trouvant sur la plaque signalétique de l'outil**

électroportatif. Les outils électroportatifs marqués 230 V peuvent également fonctionner sur 220 V.

Mise en marche/arrêt

- **Assurez-vous de pouvoir actionner l'interrupteur Marche/Arrêt sans avoir à relâcher la poignée.**

Pour **démarrer** l'outil électroportatif, actionnez d'abord l'interrupteur de déverrouillage (2) et appuyez **ensuite** sur l'interrupteur Marche/Arrêt (1) en le maintenant enfoncé.

Pour **arrêter** l'outil électroportatif, l'interrupteur Marche/Arrêt (1).

Remarque : Pour des raisons de sécurité, il n'est pas possible de verrouiller l'interrupteur Marche/Arrêt (1), qui doit rester constamment enfoncé pendant le travail de sciage.

Instructions d'utilisation

- **Débranchez le câble d'alimentation de la prise avant d'effectuer des travaux quels qu'il soient sur l'outil électroportatif.**

Protégez les lames contre les chocs et les coups.

Guider l'outil électroportatif de façon régulière et en effectuant une avance modérée dans le sens de la coupe. Une avance trop forte réduit considérablement la durée de vie des outils électroportatifs et peut endommager l'outil électroportatif.

La puissance et la qualité de la coupe dépendent dans une large mesure de l'état et de la forme des dents de la lame de scie. En conséquence, n'utilisez que des lames de scie aiguisées et appropriées aux matériaux à travailler.

Sciage de bois

Le bon choix de la lame de scie dépend de la nature et de la qualité du bois et du type de coupe à savoir longitudinale ou transversale.

La découpe longitudinale de l'épicéa entraîne la formation de longs copeaux en spirale.

Les poussières de hêtre et de chêne étant particulièrement toxiques, il est recommandé d'utiliser systématiquement un système d'aspiration.

Sciage avec butée parallèle (voir figure C)

La butée parallèle (10) permet des coupes précises le long du bord de la pièce ou la découpe de bandes régulières.

Desserrez les vis papillon (7) et faites passer la graduation de la butée parallèle (10) à travers le guidage de la plaque de base (12). Ajustez la largeur de coupe souhaitée sur l'échelle graduée se trouvant sur le marquage de coupe (9) ou (8), voir rubrique « Marquages de la ligne de coupe ». Resserrez bien la vis papillon (7).

Sciage avec butée auxiliaire (voir figure D)

Pour travailler des pièces de dimensions importantes ou pour couper des bords droits, il est possible de monter une planche ou une barre comme butée auxiliaire sur la pièce à travailler et de guider la scie circulaire avec la plaque de base le long de la butée auxiliaire.

Entretien et Service après-vente

Nettoyage et entretien

- ▶ **Débranchez le câble d'alimentation de la prise avant d'effectuer des travaux quels qu'il soient sur l'outil électroportatif.**
- ▶ **Tenez toujours propres l'outil électroportatif ainsi que les fentes de ventilation afin d'obtenir un travail impeccable et sûr.**

Le capot de protection à mouvement pendulaire doit toujours pouvoir bouger librement et fermer automatiquement. Veillez pour cela à ce que le pourtour du capot de protection à mouvement pendulaire reste propre. Enlevez la poussière et les copeaux à l'aide d'un pinceau.

Les lames de scie sans revêtement de protection peuvent être protégées des risques de corrosion en appliquant une fine couche d'huile non acide. Avant le sciage, enlevez l'huile pour ne pas encrasser le bois.

Les restes de résine ou de colle se trouvant sur la lame de scie entravent la qualité de coupe. En conséquence, nettoyez les lames de scie immédiatement après utilisation.

Dans le cas où il s'avère nécessaire de remplacer le câble d'alimentation, confiez le remplacement à **Bosch** ou une station de Service Après-Vente agréée pour outillage **Bosch** afin de ne pas compromettre la sécurité.

Service après-vente et conseil utilisateurs

Notre Service après-vente répond à vos questions concernant la réparation et l'entretien de votre produit et les pièces de rechange. Vous trouverez des vues éclatées et des informations sur les pièces de rechange sur le site : www.bosch-pt.com

L'équipe de conseil utilisateurs Bosch se tient à votre disposition pour répondre à vos questions concernant nos produits et leurs accessoires.

Pour toute demande de renseignement ou toute commande de pièces de rechange, précisez impérativement la référence à 10 chiffres figurant sur l'étiquette signalétique du produit.

Algérie

Siestal
Zone Industrielle Ihaddaden
06000 Bejaia
Tel. : +213 (0) 982 400 991/2
Fax : +213 (0) 3 420 1569
E-Mail : sav@siestal-dz.com

Maroc

Robert Bosch Morocco SARL
53, Rue Lieutenant Mahroud Mohamed
20300 Casablanca
Tel.: +212 5 29 31 43 27
E-Mail : sav.outillage@ma.bosch.com

Tunisie

Robert Bosch Tunisie SARL
7 Rue Ibn Battouta Z.I. Saint Gobain
Mégrine Riadh

2014 Ben Arous
Tél. : +216 71 427 496/879
Fax : +216 71 428 621
E-Mail : sav.outillage@tn.bosch.com

Côte d'Ivoire

Rimco
ZONE 3, 9 RUE DU CANAL
01 BP V230, Abidjan 01
Tel. : +225 21 25 93 38

Sénégal

Bernabé
Km 2,5 – Bd du Centenaire de la Commune de Dakar
B.P. 2098 DAKAR
Tel. : +221 33 849 01 01
Fax : +221 33 823 34 20

Élimination des déchets

Les outils électroportatifs, ainsi que leurs accessoires et emballages, doivent pouvoir suivre chacun une voie de recyclage appropriée.



Ne jetez pas les outils électroportatifs avec les ordures ménagères !

Seulement pour les pays de l'UE :

Conformément à la directive européenne 2012/19/UE relative aux déchets d'équipements électriques et électroniques et sa mise en vigueur conformément aux législations nationales, les outils électroportatifs dont on ne peut plus se servir doivent être isolés et suivre une voie de recyclage appropriée.



Português

Instruções de segurança

Instruções gerais de segurança para ferramentas eléctricas

AVISO

Devem ser lidas todas as indicações de segurança,

instruções, ilustrações e especificações desta ferramenta eléctrica. O desrespeito das instruções apresentadas abaixo poderá resultar em choque eléctrico, incêndio e/ou ferimentos graves.

Guarde bem todas as advertências e instruções para futura referência.

O termo "ferramenta eléctrica" utilizado a seguir nas indicações de advertência, refere-se a ferramentas eléctricas operadas com corrente de rede (com cabo de rede) e a ferramentas eléctricas operadas com acumulador (sem cabo de rede).

Segurança da área de trabalho

- ▶ **Mantenha a sua área de trabalho sempre limpa e bem iluminada.** Desordem ou áreas de trabalho insuficientemente iluminadas podem levar a acidentes.
- ▶ **Não trabalhar com a ferramenta eléctrica em áreas com risco de explosão, nas quais se encontrem líquidos, gases ou pós inflamáveis.** Ferramentas eléctricas produzem faíscas, que podem inflamar pós ou vapores.
- ▶ **Manter crianças e outras pessoas afastadas da ferramenta eléctrica durante a utilização.** No caso de distração é possível que perca o controlo sobre o aparelho.

Segurança eléctrica

- ▶ **A ficha de conexão da ferramenta eléctrica deve caber na tomada. A ficha não deve ser modificada de maneira alguma. Não utilizar uma ficha de adaptação junto com ferramentas eléctricas protegidas por ligação à terra.** Fichas não modificadas e tomadas apropriadas reduzem o risco de um choque eléctrico.
- ▶ **Evitar que o corpo possa entrar em contacto com superfícies ligadas à terra, como tubos, aquecimentos, fogões e frigoríficos.** Há um risco elevado devido a um choque eléctrico, se o corpo estiver ligado à terra.
- ▶ **Manter o aparelho afastado de chuva ou humidade.** A infiltração de água numa ferramenta eléctrica aumenta o risco de choque eléctrico.
- ▶ **Não deverá utilizar o cabo para outras finalidades. Nunca utilizar o cabo para transportar a ferramenta eléctrica, para pendurá-la, nem para puxar a ficha da tomada. Manter o cabo afastado do calor, do óleo, de arestas afiadas ou de peças em movimento.** Cabos danificados ou emaranhados aumentam o risco de um choque eléctrico.
- ▶ **Se trabalhar com uma ferramenta eléctrica ao ar livre, só deverá utilizar cabos de extensão apropriados para áreas exteriores.** A utilização de um cabo de extensão apropriado para áreas exteriores reduz o risco de um choque eléctrico.
- ▶ **Se não for possível evitar o funcionamento da ferramenta eléctrica em áreas húmidas, deverá ser utilizado um disjuntor de corrente de avaria.** A utilização de um disjuntor de corrente de avaria reduz o risco de um choque eléctrico.

Segurança de pessoas

- ▶ **Esteja atento, observe o que está a fazer e tenha prudência ao trabalhar com a ferramenta eléctrica. Não utilizar uma ferramenta eléctrica quando estiver fatigado ou sob a influência de drogas, álcool ou medicamentos.** Um momento de descuido ao utilizar a ferramenta eléctrica, pode levar a lesões graves.
- ▶ **Utilizar equipamento de protecção individual. Utilizar sempre óculos de protecção.** A utilização de equipamento de protecção pessoal, como máscara de protecção contra pó, sapatos de segurança

antiderrapantes, capacete de segurança ou protecção auricular, de acordo com o tipo e aplicação da ferramenta eléctrica, reduz o risco de lesões.

- ▶ **Evitar uma colocação em funcionamento involuntária. Assegure-se de que a ferramenta eléctrica esteja desligada, antes de conectá-la à alimentação de rede e/ou ao acumulador, antes de levantá-la ou de transportá-la.** Se tiver o dedo no interruptor ao transportar a ferramenta eléctrica ou se o aparelho for conectado à alimentação de rede enquanto estiver ligado, poderão ocorrer acidentes.
- ▶ **Remover ferramentas de ajuste ou chaves de boca antes de ligar a ferramenta eléctrica.** Uma ferramenta ou chave que se encontre numa parte do aparelho em movimento pode levar a lesões.
- ▶ **Evite uma posição anormal. Mantenha uma posição firme e mantenha sempre o equilíbrio.** Desta forma é mais fácil controlar a ferramenta eléctrica em situações inesperadas.
- ▶ **Usar roupa apropriada. Não usar roupa larga nem jóias. Mantenha os cabelos e roupas afastados de peças em movimento.** Roupas frouxas, cabelos longos ou jóias podem ser agarrados por peças em movimento.
- ▶ **Se for possível montar dispositivos de aspiração ou de recolha, assegure-se de que estejam conectados e utilizados correctamente.** A utilização de uma aspiração de pó pode reduzir o perigo devido ao pó.
- ▶ **Não deixe que a familiaridade resultante de uma utilização frequente de ferramentas permita que você se torne complacente e ignore os princípios de segurança da ferramenta.** Uma acção descuidada pode causar ferimentos graves numa fracção de segundo.

Utilização e manuseio cuidadoso de ferramentas eléctricas

- ▶ **Não sobrecarregue a ferramenta eléctrica. Utilize a ferramenta eléctrica apropriada para o seu trabalho.** É melhor e mais seguro trabalhar com a ferramenta eléctrica apropriada na área de potência indicada.
- ▶ **Não utilizar uma ferramenta eléctrica com um interruptor defeituoso.** Uma ferramenta eléctrica que não pode mais ser ligada nem desligada, é perigosa e deve ser reparada.
- ▶ **Puxar a ficha da tomada e/ou remover o acumulador, se amovível, antes de executar ajustes na ferramenta eléctrica, de substituir acessórios ou de guardar as ferramentas eléctricas.** Esta medida de segurança evita o arranque involuntário da ferramenta eléctrica.
- ▶ **Guardar ferramentas eléctricas não utilizadas fora do alcance de crianças e não permitir que as pessoas que não estejam familiarizadas com o aparelho ou que não tenham lido estas instruções utilizem o aparelho.** Ferramentas eléctricas são perigosas se forem utilizadas por pessoas inexperientes.
- ▶ **Tratar a ferramenta eléctrica e os acessórios com cuidado. Controlar se as partes móveis do aparelho funcionam perfeitamente e não emperram, e se há**

peças quebradas ou danificadas que possam prejudicar o funcionamento da ferramenta eléctrica. Permitir que peças danificadas sejam reparadas antes da utilização. Muitos acidentes têm como causa, a manutenção insuficiente de ferramentas eléctricas.


- ▶ **Manter as ferramentas de corte afiadas e limpas.** Ferramentas de corte cuidadosamente tratadas e com cantos de corte afiados emperram com menos frequência e podem ser conduzidas com maior facilidade.
- ▶ **Utilizar a ferramenta eléctrica, acessórios, ferramentas de aplicação, etc. conforme estas instruções. Considerar as condições de trabalho e a tarefa a ser executada.** A utilização de ferramentas eléctricas para outras tarefas a não ser as aplicações previstas, pode levar a situações perigosas.
- ▶ **Mantenha os punhos e as superfícies de agarrar secas, limpas e livres de óleo e massa consistente.** Punhos e superfícies de agarrar escorregadias não permitem o manuseio e controle seguros da ferramenta em situações inesperadas.

Serviço

- ▶ **Só permita que o seu aparelho seja reparado por pessoal especializado e qualificado e só com peças de reposição originais.** Desta forma é assegurado o funcionamento seguro do aparelho.

Instruções de segurança para serras circulares

Procedimentos de corte

- ▶  **PERIGO: Mantenha as mãos afastadas da zona de corte e do disco. Mantenha a segunda mão no punho auxiliar ou na carcaça do motor.** Se usar ambas as mãos para segurar a serra, estas não poderão ser cortadas pelo disco.
- ▶ **Não coloque as mãos por baixo da peça de trabalho.** A proteção não o protege do disco por baixo da peça de trabalho.
- ▶ **Ajuste a profundidade de corte à espessura da peça de trabalho.** Deverá estar visível menos de um dente completo dos dentes do disco por baixo da peça de trabalho.
- ▶ **Nunca apoie a peça nas suas mãos ou sobre a perna enquanto efetua o corte. Fixe a peça numa plataforma estável.** É importante suportar o corpo de forma adequada para minimizar a exposição deste, o bloqueio do disco ou a perda de controlo.
- ▶ **Segure a ferramenta eléctrica nas superfícies de agarrar isoladas, ao executar uma operação onde a ferramenta de corte possa entrar em contacto com cabos escondidos ou com o próprio cabo.** O contacto com um fio "sob tensão" irá colocar as partes metálicas expostas da ferramenta eléctrica também "sob tensão" e pode dar um choque elétrico ao operador.
- ▶ **Ao efetuar cortes longitudinais, utilize sempre a guia de corte ou a guia de aresta reta.** Isto melhora a precisão de corte e reduz o risco de bloqueio do disco.

- ▶ **Utilize sempre discos com furos interiores com tamanho e forma corretos (diamante versus redondo).**

Os discos que não coincidam com o hardware de montagem da serra ficam descentrados, causando perda de controlo.

- ▶ **Nunca utilize anilhas ou um parafuso de disco danificados ou incorretos.** As anilhas e o parafuso de disco foram especialmente concebidos para a sua serra, para excelente rendimento e uma operação segura.

Causas do efeito de coice e indicações relacionadas

- o efeito de coice é uma reação súbita a um disco de serra entalado, bloqueado ou desalinhado, causando um levantamento descontrolado da serra e a sua saída da peça de trabalho em direção ao operador;

- quando o disco é entalado ou bloqueado fortemente pelo corte a fechar, o disco para e a reação do motor aciona a unidade rapidamente para trás, em direção ao operador;

- se o disco ficar torcido ou desalinhado no corte, os dentes no chanfro posterior do disco podem entrar na superfície superior da madeira fazendo com que o disco suba para fora do corte e salte para trás, em direção ao operador.

O efeito de coice é o resultado de uma utilização abusiva e/ou condições ou procedimentos incorretos de utilização da serra e pode ser evitado tomando as precauções indicadas abaixo.

- ▶ **Segure a serra com firmeza com as duas mãos e posicione os braços de forma a poder resistir ao efeito de coice. Posicione o seu corpo de qualquer lado do disco, mas não em linha com este.** O efeito de coice pode fazer com que a serra salte para trás, mas as forças do efeito de coice podem ser controladas pelo operador se forem tomadas as devidas precauções.
- ▶ **Quando o disco está bloqueado ou se interromper um corte por qualquer motivo, solte o botão e mantenha a serra imóvel até que o disco pare por completo. Nunca tente retirar a serra da peça ou puxar a serra para trás enquanto o disco estiver em funcionamento, caso contrário pode ocorrer efeito de coice.** Investigue e tome as medidas necessárias para eliminar a causa do bloqueio do disco.
- ▶ **Quando reiniciar a serra com o disco na peça, centre o disco de serra no corte para que os dentes da serra não fiquem engatados no material.** Se um disco de serra bloquear, pode subir ou ressaltar da peça quando a serra é reiniciada.
- ▶ **Apoie painéis grandes para reduzir o risco de entalamento e o efeito de coice do disco.** Os painéis grandes tendem a abater sob o seu próprio peso. Coloque suportes sob o painel, de ambos os lados, junto à linha de corte e junto da extremidade do painel.
- ▶ **Não utilize discos rombos ou danificados.** Os discos não afiados ou mal ajustados produzem um corte estreito, causando fricção excessiva, bloqueio do disco e efeito de coice.
- ▶ **As alavancas de bloqueio do ajuste da profundidade do disco e do chanfro têm de estar apertadas e fixas**

antes de fazer o corte. Se o ajuste do disco se deslocar durante o corte, pode causar o bloqueio e o efeito de coice do disco.

- ▶ **Tenha especial cuidado ao efetuar cortes em paredes existentes ou noutras áreas cegas.** O disco protuberante pode cortar objetos que podem provocar um efeito de coice.

Função da proteção inferior

- ▶ **Verifique se a proteção inferior está bem fechada antes de cada utilização. Não opere a lâmina se a proteção inferior não se deslocar livremente e fechar de imediato. Nunca fixe ou prenda a proteção inferior na posição aberta.** Se a serra cair acidentalmente, a proteção inferior pode ficar torcida. Levante a proteção inferior com o punho retrátil e certifique-se de que se desloca livremente e não toca no disco ou em qualquer outra parte, em todos os ângulos e profundidades de corte.
- ▶ **Verifique a operação da mola da proteção inferior. Se a proteção e a mola não estiverem a funcionar corretamente, têm de ser reparadas antes da utilização.** A proteção inferior pode funcionar lentamente devido a peças danificadas, depósitos pegajosos ou acumulação de resíduos.
- ▶ **A proteção inferior pode ser retraída manualmente apenas para cortes especiais, como "cortes de imersão" e "cortes compostos". Levante a proteção inferior pelo punho retrátil e assim que o disco entrar no material, a proteção inferior tem de ser solta.** Para todos os outros cortes, a proteção inferior deve operar automaticamente.
- ▶ **Verifique sempre se a proteção inferior está a cobrir o disco antes de colocar a serra sobre a bancada ou no chão.** Um disco desprotegido, a rodar livremente, irá fazer com que a serra se desloque para trás, cortando tudo o que estiver pelo caminho. Tenha atenção ao tempo que leva o disco a parar depois de soltar o botão.

Instruções de segurança adicionais

- ▶ **Não insira as mãos na remoção de aparas.** Pode sofrer ferimentos nas peças em rotação.
- ▶ **Não trabalhe com a serra acima do nível da cabeça.** Se o fizer, não terá controlo suficiente sobre a ferramenta elétrica.
- ▶ **Utilizar detetores apropriados, para encontrar cabos escondidos, ou consulte a companhia elétrica local.** O contacto com cabos elétricos pode provocar fogo e choques elétricos. Danos em tubos de gás podem levar à explosão. A penetração num cano de água causa danos materiais ou pode provocar um choque elétrico.
- ▶ **Durante o trabalho, segure a ferramenta elétrica com as duas mãos e providencie uma estabilidade segura.** A ferramenta elétrica é conduzida com maior segurança com ambas as mãos.
- ▶ **Não opere a ferramenta elétrica de forma estacionária.** Ela não é adequada para o funcionamento com mesa de serrar.

- ▶ **Ao fazer um "corte de imersão" que não é executado em ângulo reto, proteja a placa de guia contra deslocamento lateral.** Um deslocamento lateral pode fazer com que o disco de serra emperre, provocando um contragolpe.
- ▶ **Fixar a peça a ser trabalhada.** Uma peça a ser trabalhada fixa com dispositivos de aperto ou com torno de bancada está mais firme do que segurada com a mão.
- ▶ **Espere que a ferramenta elétrica pare completamente, antes de depositá-la.** A ferramenta de aplicação pode emperrear e levar à perda de controlo sobre a ferramenta elétrica.
- ▶ **Não use discos de serra de aço HSS.** Estes discos de serra podem quebrar facilmente.
- ▶ **Não serre metais ferrosos.** As aparas quentes podem incendiar o sistema de aspiração de pó.
- ▶ **Usar uma máscara de proteção contra pó.**

Descrição do produto e do serviço



Leia todas as instruções de segurança e instruções. A inobservância das instruções de segurança e das instruções pode causar choque elétrico, incêndio e/ou ferimentos graves.

Respeite as figuras na parte da frente do manual de instruções.

Utilização adequada

A ferramenta elétrica é adequada para executar cortes longitudinais e transversais sobre apoios fixos em madeira, com um traçado de corte a direito ou em meia-esquadria.

Componentes ilustrados

A numeração dos componentes ilustrados refere-se à apresentação da ferramenta elétrica na página de esquemas.

- (1) Interruptor de ligar/desligar
- (2) Bloqueio de ligação para o interruptor de ligar/desligar
- (3) Punho adicional (superfície do punho isolada)^{A)}
- (4) Tecla de bloqueio do veio
- (5) Escala de ângulo de meia-esquadria
- (6) Parafuso de orelhas para pré-seleção do ângulo de meia-esquadria
- (7) Parafuso de orelhas para guia paralela
- (8) Marcação de corte 45°
- (9) Marcação de corte 0°
- (10) Guia paralela
- (11) Cobertura de proteção pendular
- (12) Placa de base
- (13) Alavanca de ajuste para cobertura de proteção pendular
- (14) Expulsão de aparas

- (15) Tampa de proteção
 - (16) Punho (superfície do punho isolada)
 - (17) Chave sextavada interior
 - (18) Parafuso tensor com anilha
 - (19) Flange de aperto
 - (20) Disco de serra^{A)}
 - (21) Veio da serra com flange de admissão
 - (22) Alavanca tensora para pré-seleção da profundidade de corte
 - (23) Escala de profundidade de corte
 - (24) Par de grampos^{B)}
- A) **Acessórios apresentados ou descritos não pertencem ao volume de fornecimento padrão. Todos os acessórios encontram-se no nosso programa de acessórios.**
- B) **convencional (não faz parte do material a fornecer)**

Dados técnicos

Serra circular manual		GKS 140
Número de produto		3 601 FB3 0..
Potência nominal absorvida	W	1400
N.º de rotações em vazio	r.p.m.	6200
Profundidade máx. de corte com diâmetro de disco de serra 184 mm		
– no ângulo de meia-esquadria 0°	mm	64
– no ângulo de meia-esquadria 45°	mm	45
Bloqueio do veio		●
Dimensões placa de base	mm	290 x 150
diâmetro máx./mín. do disco de serra	mm	184
máx. espessura da base do disco	mm	2,0
Furo de central	mm	20
Peso conforme EPTA-Procedure 01:2014	kg	3,7
Classe de proteção		/ II

Os dados aplicam-se a uma tensão nominal [U] de 230 V. Com tensões divergentes e em versões específicas do país, estes dados podem variar.

Processos de ligação provocam uma breve redução de tensão. Com condições de rede desfavoráveis podem ocorrer danos em outros aparelhos. Com impedâncias de rede inferiores a 1,539 Ohm não se devem esperar falhas.

Informação sobre ruídos/vibrações

Os valores de emissão de ruído foram determinados de acordo com **EN 62841-2-5**.

O nível sonoro avaliado como A da ferramenta elétrica é normalmente de: nível de pressão sonora **96 dB(A)**; nível de potência sonora **107 dB(A)**. Incerteza K = **3 dB**.

Utilizar proteção auditiva!

Valores totais de vibração a_h (soma dos vetores das três direções) e incerteza K determinada segundo

EN 62841-2-5:

Serrar madeira: $a_h < 2,5 \text{ m/s}^2$, $K = 1,5 \text{ m/s}^2$

O nível de vibrações indicado nestas instruções e o valor de emissões sonoras foram medidos de acordo com um processo de medição normalizado e podem ser utilizados para a comparação de ferramentas elétricas. Também são adequados para uma avaliação provisória das emissões sonoras e de vibrações.

O nível de vibrações indicado e o valor de emissões sonoras representam as aplicações principais da ferramenta elétrica. Se a ferramenta elétrica for utilizada para outras aplicações, com outras ferramentas de trabalho ou com manutenção insuficiente, é possível que o nível de vibrações e de emissões sonoras seja diferente. Isto pode aumentar sensivelmente a emissão sonora e de vibrações para o período completo de trabalho.

Para uma estimativa exata da emissão sonora e de vibrações, também deveriam ser considerados os períodos nos quais o aparelho está desligado ou funciona, mas não está sendo utilizado. Isto pode reduzir a emissão sonora e de vibrações durante o completo período de trabalho.

Além disso também deverão ser estipuladas medidas de segurança para proteger o operador contra o efeito de vibrações, como por exemplo: manutenção de ferramentas elétricas e acessórios, manter as mãos quentes e organização dos processos de trabalho.

Montagem

- ▶ **Só utilizar discos de serra com uma máxima velocidade admissível superior à velocidade da marcha em vazio da ferramenta elétrica.**

Introduzir/substituir o disco da serra circular

- ▶ **Antes de todos trabalhos na ferramenta elétrica deverá puxar a ficha de rede da tomada.**
- ▶ **Para a montagem do disco de serra é necessário usar luvas de proteção.** Há perigo de lesões no caso de um contacto com o disco de serra.
- ▶ **Só utilizar discos de serra que correspondam aos dados característicos indicados nesta instrução de serviço e na ferramenta elétrica e que sejam controlados conforme EN 847-1 e respetivamente marcados.**
- ▶ **Nunca utilizar discos abrasivos como ferramentas de trabalho.**

Desmontar disco de serra (ver figura A)

Coloque a ferramenta elétrica para a troca de ferramenta sobre o topo da carcaça do motor.

- Prima e mantenha premida a tecla de bloqueio do veio **(4)**.
- ▶ **Só acione a tecla de bloqueio do veio (4) com o veio de retificação parado.** Caso contrário é possível que a ferramenta elétrica seja danificada.

- Desaperte com a chave sextavada interior (17) o parafusos tensor (18) no sentido de rotação ⚙.
- Vire a tampa de proteção pendular (11) para trás e segure a mesma.
- Retire o flange de aperto (19) e o disco de serra (20) do veio da serra com o flange de admissão (21).

Selecionar disco de serra

Encontra um resumo dois discos de serra recomendados no final destas instruções.

Montar o disco de serra (ver figura A)

Coloque a ferramenta elétrica para a troca de ferramenta sobre o topo da carcaça do motor.

- Limpe o disco de serra (20) e todos os meus elementos de aperto a montar.
- Vire a tampa de proteção pendular (11) para trás e segure a mesma.
- Coloque o disco de serra (20) no veio da serra com o flange de admissão (21). O sentido de corte dos dentes (sentido das setas no disco de serra) e a seta do sentido de rotação na tampa de proteção (15) têm de coincidir.
- Coloque o flange de admissão (19) e aperte o parafuso tensor (18) no sentido de rotação ⚙. Certifique-se da posição de montagem correta do veio da serra com flange de admissão (21) e do flange de aperto (19).
- Prima e mantenha premida a tecla de bloqueio do veio (4).
- Com uma chave de sextavado interior (17), aperte o parafuso de aperto (18) no sentido de rotação ⚙. O binário de aperto deve ser de 6–9 Nm, o que corresponde ao aperto manual mais ¼ de volta.

Aspiração de pó/de aparas

Pós de materiais como por exemplo, tintas que contém chumbo, alguns tipos de madeira, minerais e metais, podem ser nocivos à saúde. O contacto ou a inalação dos pós pode provocar reações alérgicas e/ou doenças nas vias respiratórias do utilizador ou das pessoas que se encontrem por perto.

Certos pós, como por exemplo pó de carvalho e faia são considerados como sendo cancerígenos, especialmente quando juntos com substâncias para o tratamento de madeiras (cromato, produtos de proteção da madeira). Material que contém asbesto só deve ser processado por pessoal especializado.

- Se possível deverá usar um dispositivo de aspiração de pó apropriado para o material.
- Assegurar uma boa ventilação do local de trabalho.
- É recomendável usar uma máscara de proteção respiratória com filtro da classe P2.

Observe as diretivas para os materiais a serem processados, vigentes no seu país.

- ▶ **Evite a acumulação de pó no local de trabalho.** Pós podem entrar levemente em ignição.

Funcionamento

Modos de operação

- ▶ **Antes de todos trabalhos na ferramenta elétrica deverá puxar a ficha de rede da tomada.**

Ajustar profundidade de corte (ver figura B)

- ▶ **Adapte a profundidade de corte à espessura da peça.** Deveria estar visível, menos do que uma completa altura de dente por debaixo da peça a ser trabalhada.

Soltar a alavanca de aperto (22). Para profundidades de corte mais pequenas puxe a serra da placa de base (12), para profundidades de corte maiores pressione a serra para a placa de base (12). Ajuste a medida desejada na escala de profundidades de corte. Aperte novamente a alavanca de aperto (22).

Se depois de soltar a alavanca tensora (22) não conseguir ajustar por completo a profundidade de corte, afaste a alavanca tensora (22) da serra e oscile-a para baixo. Solte de novo a alavanca tensora (22). Repetir este processo, até ser possível ajustar a profundidade de corte desejada.

Se depois de apertar a alavanca tensora (22) não conseguir ajustar suficientemente a profundidade de corte, afaste a alavanca tensora (22) da serra e oscile-a para cima. Solte de novo a alavanca tensora (22). Repetir este processo, até ser possível fixar a profundidade de corte

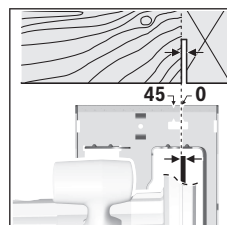
Ajustar ao ângulo de meia-esquadria

Coloque a ferramenta elétrica no topo da tampa de proteção (15).

Solte a porca de orelhas (6). Deslocar lateralmente o disco de serra. Ajuste a medida desejada na escala (5). Aperte novamente a porca de orelhas (6).

Nota: No caso de corte em meia-esquadria, a profundidade de corte é inferior ao valor indicado na escala de profundidades de corte (23).

Marcações de corte



A marcação de corte 0° (9) indica a posição do disco de serra num corte em ângulo reto. A marcação de corte 45° (8) indica a posição do disco de serra num corte num ângulo de 45°.

Para um corte à medida, coloque a serra circular junto à peça, tal como é ilustrado

na imagem. É recomendável executar um corte de teste.

Colocação em funcionamento

- ▶ **Observar a tensão de rede! A tensão da fonte de corrente elétrica deve coincidir com os dados que constam na placa de características da ferramenta elétrica. Ferramentas elétricas marcadas para 230 V também podem ser operadas com 220 V.**

Ligar/desligar

► Certifique-se de que consegue acionar o interruptor de ligar/desligar sem ter de soltar o punho.

Para a **colocação em funcionamento** da ferramenta elétrica, acionar primeiro o bloqueio de ligação **(2)** e premir **de seguida** o interruptor de ligar/desligar **(1)** e manter premido.

Para **desligar** a ferramenta elétrica, liberte o interruptor de ligar/desligar **(1)**.

Nota: Por motivos de segurança o interruptor de ligar/desligar **(1)** não pode ser travado, mas deve permanecer premido durante o funcionamento.

Instruções de trabalho

► Antes de todos trabalhos na ferramenta elétrica deverá puxar a ficha de rede da tomada.

Proteger os discos de serra contra golpes e pancadas.

Desloque a ferramenta elétrica uniformemente e com ligeiro avanço no sentido de corte. Um avanço muito forte reduz consideravelmente a durabilidade dos acessórios e pode prejudicar a ferramenta elétrica.

A potência de serragem e a qualidade de corte dependem do estado e da forma dos dentes do disco de serra. Portanto só deverá utilizar discos de serra afiados e apropriados para o material a ser trabalhado.

Serrar madeira

A seleção correta do disco de serra depende do tipo de madeira, da qualidade da madeira e se são necessários cortes longitudinais ou transversais.

Cortes longitudinais em abeto são produzidas aparas em formato espiral.

O pó de faia e carvalho são especialmente prejudiciais para a saúde, por isso trabalhe sempre com aspiração de pó.

Serrar com guia paralela (ver figura C)

A guia paralela **(10)** permite cortes exatos ao longo da aresta da peça, ou seja, o corte de tiras iguais.

Solte a porca de orelhas **(7)** e empurre a escala da guia paralela **(10)** pela guia da placa de base **(12)**. Ajuste a largura de corte desejada como valor de escala na respetiva marcação de corte **(9)** ou **(8)**, ver seção "Marcações de corte". Aperte novamente a porca de orelhas **(7)**.

Serrar com encosto auxiliar (ver figura D)

Para o processamento de peças maiores ou para cortar arestas a direito, pode fixar uma tábua ou uma ripa como encosto auxiliar na peça e introduzir a serra circular com a placa de base ao longo do encosto auxiliar.

Manutenção e assistência técnica

Manutenção e limpeza

► Antes de todos trabalhos na ferramenta elétrica deverá puxar a ficha de rede da tomada.

► Manter a ferramenta elétrica e as aberturas de ventilação sempre limpas, para trabalhar bem e de forma segura.

A cobertura de proteção pendular tem de poder movimentar-se sempre livremente e fechar-se automaticamente. Portanto, deverá manter a área em volta da cobertura de proteção pendular sempre limpa. Elimine pó e aparas com um pincel.

Os discos de serra não revestidos podem ser protegidos contra a formação de corrosão com uma camada fina de óleo. Remover o óleo antes de serrar, caso contrário poderão surgir nódoas na madeira.

Resíduos de resina ou de aglutinante no disco de serra reduzem a qualidade de corte. Portanto deverá sempre limpar o disco de serra imediatamente após a utilização.

Se for necessário instalar um cabo de ligação, a instalação deve ser feita pela **Bosch** ou por um centro de serviço autorizado para ferramentas elétricas **Bosch**, para evitar perigos de segurança.

Serviço pós-venda e aconselhamento

O serviço pós-venda responde às suas perguntas a respeito de serviços de reparação e de manutenção do seu produto, assim como das peças sobressalentes. Desenhos explodidos e informações acerca das peças sobressalentes também em:

www.bosch-pt.com

A nossa equipa de consultores Bosch esclarece com prazer todas as suas dúvidas a respeito dos nossos produtos e acessórios.

Indique para todas as questões e encomendas de peças sobressalentes a referência de 10 dígitos de acordo com a placa de características do produto.

Brasil

Robert Bosch Ltda. – Divisão de Ferramentas Elétricas
Caixa postal 1195 – CEP: 13065-900
Campinas – SP
Tel.: 0800 7045 446
www.bosch.com.br/contato

Angola

InvestGlobal
Parque Logístico
Estrada de Viana Km 12
Luanda
Tel. : +212 948 513 580
E-Mail: helderribeiro@investglobal-ang.com

Eliminação

Ferramentas elétricas, acessórios e embalagens devem ser enviados a uma reciclagem ecológica de matérias-primas.



Não deitar ferramentas elétricas no lixo doméstico!

Apenas para países da UE:

De acordo com a diretiva europeia 2012/19/UE para aparelhos elétricos e eletrónicos velhos, e com as respetivas realizações nas leis nacionais, as ferramentas elétricas que

não servem mais para a utilização, devem ser enviadas separadamente a uma reciclagem ecológica.

中文

安全规章

电动工具通用安全警告

警告！ 警告！阅读所有警告和所有说明！不遵照以下警告和说明会导致电击、着火和/或严重伤害。

保存所有警告和说明书以备查阅。

在所有下列的警告中术语“电动工具”指市电驱动（有线）电动工具或电池驱动（无线）电动工具。

工作场地的安全

- ▶ 保持工作场地清洁和明亮。混乱和黑暗的场地会引发事故。
- ▶ 不要在易爆环境，如有易燃液体、气体或粉尘的环境下操作电动工具。电动工具产生的火花会点燃粉尘或气体。
- ▶ 让儿童和旁观者离开后操作电动工具。注意力不集中会使操作者失去对工具的控制。

电气安全

- ▶ 电动工具插头必须与插座相配。绝不能以任何方式改装插头。需接地的电动工具不能使用任何转换插头。未经改装的插头和相配的插座将减少电击危险。
- ▶ 避免人体接触接地表面，如管道、散热片和冰箱。如果你身体接地会增加电击危险。
- ▶ 不得将电动工具暴露在雨中或潮湿环境中。水进入电动工具将增加电击危险。
- ▶ 不得滥用电线。绝不能用电线搬运、拉动电动工具或拔出其插头。使电线远离热源、油、锐边或运动部件。受损或缠绕的软线会增加电击危险。
- ▶ 当在户外使用电动工具时，使用适合户外的外接软线。适合户外使用的软线将减少电击危险。
- ▶ 如果在潮湿环境下操作电动工具是不可避免的，应使用剩余电流动作保护器（RCD）。使用RCD可减少电击危险。

人身安全

- ▶ 保持警觉，当操作电动工具时关注所从事的操作并保持清醒。当你感到疲倦，或在有药物、酒精或治疗反应时，不要操作电动工具。在操作电动工具时瞬间的疏忽会导致严重人身伤害。
 - ▶ 使用个人防护装置。始终佩戴护目镜。安全装置，诸如适当条件下使用防尘面具、防滑安全鞋、安全帽、听力防护等装置能减少人身伤害。
 - ▶ 防止意外起动。确保开关在连接电源和/或电池盒、拿起或搬运工具时处于关断位置。手指放在已接通电源的开关上或开关处于接通时插入插头可能会导致危险。
 - ▶ 在电动工具接通之前，拿掉所有调节钥匙或扳手。遗留在电动工具旋转零件上的扳手或钥匙会导致人身伤害。
 - ▶ 手不要伸展得太长。时刻注意立足点和身体平衡。这样在意外情况下能很好地控制电动工具。
 - ▶ 着装适当。不要穿宽松衣服或佩戴饰品。让衣服、手套和头发远离运动部件。宽松衣服、配饰或长发可能会卷入运动部件中。
 - ▶ 如果提供了与排屑、集尘设备连接用的装置，要确保他们连接完好且使用得当。使用这些装置可减少尘屑引起的危险。
 - ▶ 即使由于经常使用电动工具而对此非常熟悉，也不要就认为可以高枕无忧而忽略工具的安全规定。粗心大意的行为可能在瞬间就造成严重的伤害。
- 电动工具使用和注意事项 电动工具使用和注意事项
- ▶ 不要滥用电动工具，根据用途使用适当的电动工具。选用适当设计的电动工具会使你工作更有效、更安全。
 - ▶ 如果开关不能接通或关断工具电源，则不能使用该电动工具。如果开关不能接通或关断工具电源，则不能使用该电动工具。
 - ▶ 在进行任何调节、更换附件或贮存电动工具之前，必须从电源上拔掉插头和/或使电池盒与工具脱开。这种防护性措施将减少工具意外起动的危险。
 - ▶ 将闲置不用的电动工具贮存在儿童所及范围之外，并且不要让不熟悉电动工具或对这些说明不了解的人操作电动工具。电动工具在未经培训的用户手中是危险的。
 - ▶ 保养电动工具。检查运动件是否调整到位或卡住，检查零件破损情况和影响电动工具运行的其

他状况。如有损坏，电动工具应在使用前修理好。许多事故由维护不良的电动工具引发。


- ▶ **保持切削刀具锋利和清洁。** 保养良好的有锋利切削刃的刀具不易卡住而且容易控制。
- ▶ **按照使用说明书，考虑作业条件和进行的作业来使用电动工具、附件和工具的刀头等。** 将电动工具用于那些与其用途不符的操作可能会导致危险。
- ▶ **保持手柄和握持表面干燥、清洁、无油污。** 在突发情况下，滑溜的手柄和握持表面无法确保安全地握持和控制工具。

维修

- ▶ **将电动工具用于那些与其用途不符的操作可能会导致危险。** 这样将确保所维修的电动工具的安全性。

圆锯安全规章

切割步骤

- ▶  **危险：使双手远离切割区域和锯片。用另一只手握住辅助手柄或电机壳体。** 如果双手握住锯子，则不会被锯片切割。
- ▶ **不要把手伸到加工件下面。** 防护罩无法防护加工件下面的锯片。
- ▶ **根据加工件厚度，调整切割深度。** 加工件下方应看到完整锯齿的一部分。
- ▶ **不要手握正在切割的加工件或在切割时将其横放在腿上。** 将加工件固定到稳定的平台上。必须对工作提供适当支持，以降低身体暴露，锯片卡滞或失控。
- ▶ **操作期间，切割工具可能接触暗线或其自带电源线，一定要握住电动工具的绝缘握持面。** 接触“带电”的电线会使电动工具裸露的金属部件“带电”，可能使得操作员触电。
- ▶ **当进行纵锯时，始终使用纵锯挡或直边导板。** 这样能提高切割精确度并降低锯片卡滞概率。
- ▶ **始终使用轴孔尺寸和形状（菱形/圆形）正确的锯片。** 与锯子的安装硬件不匹配的锯片会偏离中心，造成失控。
- ▶ **切勿使用损坏或不合适的锯片垫片或螺栓。** 锯片垫片和螺栓专为您的锯子设计，以实现最优性能和安全操作。

弹回原因和相关警告

- 回弹是针对被夹住、卡住或错位的锯片的突然反应，会造成失控的锯子向上举起并离开加工件，冲向操作员；

- 当锯片被正在关闭的切口紧紧夹住或卡住时，锯片停顿且电机反应驱动切割单元快速朝向操作员回退；

- 如锯片在切割中扭曲或错位，锯片背面边缘的齿会进入木料表面，造成锯片爬出切口并朝操作员回跳。

弹回是锯子不正当使用和 / 或操作流程或条件不正确的结果，可通过采取以下预防措施来避免。

- ▶ **牢牢把握锯子，将手臂摆好位置，以抵挡回弹力。** 使身体在锯片的一侧，但不要与锯片在一条线上。弹回可能导致锯子向后跳，但如采取适当的预防措施，操作员可以控制回弹力。
- ▶ **当锯片卡滞或由于某种原因中断切割时，松开触发器并保持锯子不动，直至锯片完全停止。不要试图在锯子运行时移出或将锯子向后拉，不然会出现回弹。** 调查并进行修正，以消除锯片缠绕。
- ▶ **当在加工件中重新启动锯子时，将锯片定位在切口中，以便锯齿不卡入材料。** 如锯片缠绕，重新启动时可能向上走或从加工件弹回。
- ▶ **支撑大型板材，以降低锯片夹住和回弹的风险。** 大的板材会因自重而下垂。在板材下方两侧、靠近切割线和加工件边缘的地方提供支撑。
- ▶ **不要使用钝锯片或损坏的锯片。** 未磨锐或设置不当的锯片会产生狭小的切口，导致摩擦过大、锯片卡滞和回弹。
- ▶ **切割前，锯片深度和斜角调整锁定杆必须牢牢锁定。** 如在切割时锯片调整装置移动，则可能造成缠绕和弹回。
- ▶ **锯切现有墙体或其它盲区时要格外小心。** 凸出的锯片可能会切到导致回弹的物体。

下部防护罩功能

- ▶ **每次使用前，检查下部防护罩是否能正常关闭。** 如下部防护罩无法自由活动并立即关闭，则不要操作锯子。不要夹住或绑住下部防护罩使其进入打开位置。如锯子不小心跌落，下部防护罩可能弯曲。用收缩手柄抬起下部防护罩并确保防护罩可自由移动且在任意切割角度和深度都不会触碰锯片或其他零部件。
- ▶ **检查下部防护罩弹簧的运行。** 如防护罩和弹簧运行不正常，使用前必须进行检修。因部件损坏、粘胶残留物或碎片堆积，下部防护罩可能运行迟缓。
- ▶ **下部防护罩可手动收回，仅用于特殊切割，如“切入式切割”和“复合式切割”。** 用收缩手柄抬起下部防护罩，一旦锯片进入材料，必须松开下部防护罩。对于所有其他锯切，下部防护罩应自动运行。

- ▶ 在将锯子放到凳子或地板上之前，始终注意下部防护罩覆盖锯片。未受保护且快速移动的锯片会导致锯片倒退，切割所有在其路径上的物件。注意开关松开后，锯片停止所用的时间。

其他安全规章

- ▶ 不要用手抓握排屑槽。可能会被旋转部件伤到。
- ▶ 不要在头顶操作电锯。此时您无法完全控制电动工具。
- ▶ 使用合适的侦测装置侦察隐藏的电线，或者向当地的相关单位寻求支援。接触电线可能引起火灾并让操作者触电。损坏了瓦斯管会引起爆炸。凿穿水管不仅会造成严重的财物损失，也可能导致触电。
- ▶ 工作时使用双手握紧电动工具并确保站稳。使用双手才能够稳定地操作电动工具。
- ▶ 不要以固定方式使用电动工具。它不是为锯台应用而设计的。
- ▶ 在非直角切入时确保电锯的导板不会侧移。侧移可能会导致锯片夹住并因此而回弹。
- ▶ 固定好工件。使用固定装置或老虎钳固定工件，会比用手持握工件更牢固。
- ▶ 等待电动工具完全静止后才能够放下机器。机器上的工具可能在工作中被夹住，而令您无法控制电动工具。
- ▶ 不要使用高速钢锯片。此类锯片容易折断。
- ▶ 不要锯切铁族金属。带火星的切屑可能会点燃粉尘吸尘器。
- ▶ 请佩戴防尘面具。

产品和性能说明



请阅读所有安全规章和指示。不遵照以下警告和说明可能导致电击、着火和/或严重伤害。

请注意本使用说明书开头部分的图示。

按照规定使用

本电动工具适合在稳固的底座上对木材进行纵向和横向直线锯割以及斜角锯割。

插图上的机件

机件的编号和电动工具详解图上的编号一致。

- (1) 电源开关
- (2) 电源开关的开机锁
- (3) 辅助手柄（绝缘握柄）^{A)}
- (4) 主轴锁定键

- (5) 斜切角度的刻度
- (6) 斜切角预选的翼形螺栓
- (7) 平行限制器的翼形螺栓
- (8) 切割标记45°
- (9) 切割标记0°
- (10) 平行限制器
- (11) 摆动防护罩
- (12) 底板
- (13) 摆动防护罩的调整杆
- (14) 锯屑排口
- (15) 防护罩
- (16) 手柄（绝缘握柄）
- (17) 内六角扳手
- (18) 带垫片的夹紧螺栓
- (19) 夹紧法兰
- (20) 圆锯锯片^{A)}
- (21) 带固定法兰的电锯主轴
- (22) 切割深度预选夹紧杆
- (23) 切割深度刻度
- (24) 双夹钳^{B)}

A) 图表或说明上提到的附件，并不包含在基本的供货范围中。本公司的附件清单中有完整的附件供应项目。

B) 市售（不包含在供货范围之内）

技术数据

手动圆锯	GKS 140	
物品代码	3 601 FB3 0..	
额定输入功率	瓦	1400
无负载转速	转/分钟	6200
最大切削深度和锯片直径	184 毫米	
- 斜切角度 0°时	毫米	64
- 斜切角度 45°时	毫米	45
主轴锁	●	
底板尺寸	毫米	290 x 150
最大/最小锯片直径	毫米	184
最大锯片体厚度	毫米	2.0
接头孔径	毫米	20
重量符合 EPTA-Procedure 01:2014	千克	3.7

手圆锯

GKS 140

保护等级

/II

所有参数适用于230伏的额定电压[U]，对于其他不同的电压和国际规格，数据有可能不同。

开动电动工具时，电压会突然下降。如果电源网络状况不佳，可能会干扰其他机器。在电源阻抗小于1.539欧姆时不会产生干扰。

噪声/振动值

根据EN 62841-2-5确定噪音排放值。

评价为A的电动工具噪声水平通常为：声压级96 分贝 (A)；声功率级107 分贝 (A)。不确定性系数K = 3 分贝。

请佩戴防护耳罩！

根据EN 62841-2-5确定振动总值 a_n （三个方向的矢量和）和不确定性系数K：

切锯木材： $a_n < 2.5$ 米/秒²，K = 1.5 米/秒²

本使用说明书中提供的振动水平和噪声发射值是根据一个标准化测量方式所测得的，因此可以用来在电动工具之间进行比较。也适用于振动和噪声发射的初步评估。

该振动水平和噪声发射值代表着电动工具用于主要用途时的数值。但是，如果将电动工具挪作他用、使用有所偏差的工具刀头或保养不利，振动水平和噪声发射值可能会不同。这样在整个工作时间内会明显地提高振动和噪声发射量。

为了准确地评估振动和噪声发射，还必须考虑到关机的时间以及开机后尚未正式工作之前的待命时间。这样在整个工作时间内会明显地降低振动和噪声发射量。

请制定用以保护操作者免受振动影响的附加安全措施，例如：电动工具和工具刀头的保养、手部保暖、工作流程组织。

安装

- ▶ 所使用的锯片的最高许可转速必须高于电动工具的空载转速。

安装/更换圆锯锯片

- ▶ 在电动工具上进行所有操作之前都必须从插座上拔出电源插头。
- ▶ 安装锯片时必须穿戴防护手套。手如果接触锯片可能被割伤。
- ▶ 只允许使用符合本使用说明书中和电动工具上给出的特性数据，并通过EN 847-1标准认证且有相应认证标识的锯片。
- ▶ 千万不可以使用研磨片充当刀具。

拆卸锯片 (见图片 A)

更换刀具时最好以马达箱朝下的方式竖起电动工具。

- 按压主轴锁定键(4)并按住。
- ▶ 待主轴完全静止后，才可以使用主轴锁定键(4)。否则可能会损坏电动工具。
- 用内六角扳手(17)将夹紧螺栓(18)朝旋转方向①旋出。
- 翻回摆动防护罩(11)并固定住。
- 将夹紧法兰(19)和锯片(20)从带固定法兰的电锯主轴(21)上取下。

选择锯片

本说明书的末端，有锯刀的一览表。

安装锯片 (见图片A)

更换刀具时最好以马达箱朝下的方式竖起电动工具。

- 清洁锯片(20)和所有待安装的夹紧件。
- 翻回摆动防护罩(11)并固定住。
- 将锯片(20)放到带固定法兰的电锯主轴(21)上。锯齿的切割方向（锯片上的箭头方向）与防护罩(15)上的旋转方向箭头必须一致。
- 放上夹紧法兰(19)并将夹紧螺栓(18)朝旋转方向②拧紧。请注意带固定法兰的电锯主轴(21)和夹紧法兰(19)的安装位置是否正确。
- 按压主轴锁定键(4)并按住。
- 用内六角扳手(17)将夹紧螺栓(18)朝旋转方向②拧紧。拧紧力矩约为6-9牛米，相当于手动拧紧四分之一周。

吸锯尘/吸锯屑

含铅的颜料以及某些木材、矿物和金属的加工废尘有害健康。机器操作者或者工地附近的人如果接触、吸入这些废尘，可能会有过敏反应或者感染呼吸道疾病。

某些尘埃（例如加工橡木或山毛榉的废尘）可能致癌，特别是和处理木材的添加剂（例如木材的防腐剂等）结合之后。只有经过专业培训的人才能够加工含石棉的物料。

- 尽可能使用适合物料的吸尘装置。
- 工作场所要保持空气流通。
- 最好佩戴P2滤网等级的口罩。

请留心并遵守贵国和加工物料有关的法规。

- ▶ 避免让工作场所堆积过多的尘垢。尘垢容易被点燃。

运行

运行模式

- ▶ 在电动工具上进行所有操作之前都必须从插座上拔出电源插头。

调整切削深度 (参考插图 B)

- ▶ 请根据工件厚度调整切削深度。不可以让锯齿完全突出于工件之外。

请松开夹紧杆 (22)。如需减小切削深度，请将锯片拉离底板 (12)，如要增大切削深度，请朝底板 (12) 按压锯片。参考锯深刻度尺调整好锯深。请再次拧紧夹紧杆 (22)。

如果在松开夹紧杆 (22) 后无法彻底调节切削深度，请将夹紧杆 (22) 从锯上拉开并向下翻转。再次松开夹紧杆 (22)。重复这个过程，至调整好需要的锯深为止。

如果在拧紧夹紧杆 (22) 后无法牢牢固定切削深度，请将夹紧杆 (22) 从锯上拉开并向上翻转。再次松开夹紧杆 (22)。重复这个过程，至固定好切削深度为止。

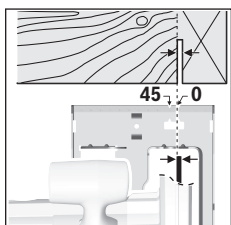
调整斜角角度

最好将电动工具放在防护罩 (15) 的正面。

请松开蝶翼螺丝 (6)。将电锯移到侧面。参考刻度尺 (5) 调整好锯深。请再次拧紧蝶翼螺丝 (6)。

提示：斜切时，切削深度小于锯深刻度尺 (23) 上显示的数值。

切割标记



切割标记 0° (9) 表示直角切割时锯片的位置。切割标记 45° (8) 表示 45° 切割时锯片的位置。

为了确保锯切尺寸准确，请按照插图所示将圆锯放到工件上。最好先进行试锯。

投入使用

- ▶ **注意电源电压！**电源的电压必须和电动工具铭牌上标示的电压一致。标记为 230 伏电动工具用 220 伏的电压可以驱动。

接通/关闭

- ▶ 请确保握住手柄时可以开启/关闭开关。

使用电动工具时先操纵开锁 (2)，接着按压起停开关 (1) 并按住。

关闭电动工具时，请松开起停开关 (1)。

提示：基于安全的顾虑，起停开关 (1) 无法被锁定。所以操作机器时必须持续地按住开关。

工作提示

- ▶ 在电动工具上进行所有操作之前都必须从插座上拔出电源插头。

保护锯片免受冲撞和敲击。

所以操作电动工具时必须施力均匀，并朝着切割方向轻轻推动。推动电动工具时如果用力过猛，不但会明显降低电动工具的使用寿命，而且可能损坏电动工具。

锯切功率和切割质量主要由锯片的状况和锯片齿形决定。因此只能使用锋利和适合工件材料的锯片。

锯割木材

根据木材的种类、木材的品质以及锯割的方向（顺着木纹锯割或与木纹交叉锯割）选择合适的锯片。

顺着木纹锯割红杉时会产生生长的螺旋形木屑。

山毛榉和橡木粉尘对健康特别危险，所以只能通过尘粒抽吸设备清理灰尘。

用平行限制器锯切 (见图片 C)

平行限制器 (10) 可以沿着工件边缘精确切割或切割相同尺寸的板条。

松开蝶翼螺丝 (7)，将平行限制器 (10) 的刻度推过底座 (12) 中的导向件。将所需的切割宽度设置为相应切割标记 (9) 或 (8) 上的刻度值，参见“切割标记”段落。再次拧紧蝶翼螺丝 (7)。

用平行限制器锯切 (见图片 D)

分割大的工件或锯割直边时，可以用弓形夹钳把木板或木条固定在工件上充当辅助挡块，接着再沿着辅助挡块移动底座。

维修和服务

维修和清洁

- ▶ 在电动工具上进行所有操作之前都必须从插座上拔出电源插头。
- ▶ 电动工具和通气孔必须随时保持清洁，以确保工作效率和工作安全。

活动防护罩必须能够无阻地摆动，并且要能够自动关闭。所以防护罩的四周必须随时保持清洁。请用刷子去除粉尘和碎屑。

如果锯片未上保护漆，可以在锯片上涂抹一层薄薄的无酸润滑油以预防锯片生锈。使用机器之前必须清除油层，否则会在木材上留下污渍。

锯片如果沾了残馀的树脂和胶水会影响锯割效果。因此使用机器后必须马上清洁锯片。

如果必须更换连接线，务必把这项工作交给**Bosch**或者经授权的**Bosch**电动工具顾客服务执行，以避免危害机器的安全性能。

客户服务和应用咨询

本公司顾客服务处负责回答有关本公司产品的修理、维护和备件的问题。备件的展开图纸和信息也可查看：www.bosch-pt.com

博世应用咨询团队乐于就我们的产品及其附件问题提供帮助。

询问和订购备件时，务必提供机器铭牌上标示的10位数物品代码。

香港和澳门特别行政区

罗伯特博世有限公司
香港北角英皇道625号，21楼
客户服务热线：+852 2101 0235
传真：+852 2590 9762
电子邮件：info@hk.bosch.com
www.bosch-pt.com.hk

中国大陆

博世电动工具（中国）有限公司
中国 浙江省 杭州市

滨江区 滨康路567号
102/1F 服务中心
邮政编码：310052
电话：(0571)8887 5566 / 5588
传真：(0571)8887 6688 x 5566# / 5588#
电邮：bsc.hz@cn.bosch.com
www.bosch-pt.com.cn

制造商地址：

Robert Bosch Power Tools GmbH
罗伯特·博世电动工具有限公司
70538 Stuttgart / GERMANY
70538 斯图加特 / 德国

处理废弃物

必须以符合环保要求的方式回收再利用电动工具、附件和包装材料。



请勿将电动工具扔到生活垃圾中!

仅适用于欧盟国家：

根据废旧电气和电子设备欧洲指令2012/19/EU和转化成的国家法律，必须将无法再使用的电动工具分开收集并以符合环保的方式回收再利用。

产品中有害物质的名称及含量

部件名称	有害物质					
	铅 (Pb)	汞 (Hg)	镉 (Cd)	六价铬 (Cr ⁶⁺)	多溴联苯 (PBB)	多溴二苯醚 (PBDE)
外壳的金属部分	○	○	○	○	○	○
外壳的非金属部分	○	○	○	○	○	○
机械传动机构	X	○	○	○	○	○
电机组件	X	○	○	○	○	○
控制组件	X	○	○	○	○	○
附件	○	○	○	○	○	○
配件	○	○	○	○	○	○
连接件	X	○	○	○	○	○
电源线* ①	○	○	○	○	○	○
电池系统* ②	X	○	○	○	○	○

本表格依据SJ/T11364 的规定编制。

○：表示该有害物质在该部件所有均质材料中的含量均在GB/T 26572 规定的限量要求以下。

X：表示该有害物质至少在该部件的某一均质材料中的含量超出GB/T 26572 规定的限量要求。且目前业界没有成熟的替代方案，符合欧盟RoHS 指令环保要求。

① 适用于采用电源线连接供电的产品。

② 适用于采用充电电池供电的产品。

产品环保使用期限内的使用条件参见产品说明书。

繁體中文

安全注意事項

電動工具一般安全注意事項

警告 請詳讀工作臺及電動工具的所有安全警告與使用說明。若不遵照以下列出的指示，將可能導致電擊、著火和 / 或人員重傷。

保存所有警告和說明書以備查閱。

在所有警告中，「電動工具」此一名詞泛指：以市電驅動的（有線）電動工具或是以電池驅動的（無線）電動工具。

工作場地的安全

- ▶ 保持工作場地清潔和明亮。混亂和黑暗的場地會引發事故。
- ▶ 不要在易爆環境，如有易燃液體、氣體或粉塵的環境下操作電動工具。電動工具產生的火花會點燃粉塵或氣體。
- ▶ 讓兒童和旁觀者離開後操作電動工具。注意力不集中會使您失去對工具的控制。

電氣安全

- ▶ 電動工具插頭必須與插座相配。絕不能以任何方式改裝插頭。需接地的電動工具不能使用任何轉換插頭。未經改裝的插頭和相配的插座將減少電擊危險。
- ▶ 避免人體接觸接地表面，如管道、散熱片和冰箱。如果您身體接地會增加電擊危險。
- ▶ 不得將電動工具暴露在雨中或潮濕環境中。水進入電動工具將增加電擊危險。
- ▶ 不得濫用電線。絕不能用電線搬運、拉動電動工具或拔出其插頭。使電線遠離熱源、油、銳利邊緣或移動零件。受損或纏繞的軟線會增加電擊危險。
- ▶ 當在戶外使用電動工具時，使用適合戶外使用的延長線。適合戶外使用的軟線，將減少電擊危險。
- ▶ 如果在潮濕環境下操作電動工具是不可避免的，應使用剩餘電流動作保護器（RCD）。使用RCD可降低電擊危險。

人身安全

- ▶ 保持警覺，當操作電動工具時關注所從事的操作並保持清醒。當您感到疲倦，或在有藥物、酒精或治療反應時，不要操作電動工具。在操作電動工具時瞬間的疏忽會導致嚴重人身傷害。

- ▶ 使用個人防護裝置。始終佩戴護目鏡。安全裝置，諸如適當條件下使用防塵面具、防滑安全鞋、安全帽、聽力防護等裝置能減少人身傷害。
- ▶ 防止意外起動。確保開關在連接電源和 / 或電池盒、拿起或搬運工具時處於關閉位置。手指放在已接通電源的開關上或開關處於接通時插入插頭可能會導致危險。
- ▶ 在電動工具接通之前，拿掉所有調節鑰匙或扳手。遺留在電動工具旋轉零件上的扳手或鑰匙會導致人身傷害。
- ▶ 手不要伸展得太長。時刻注意立足點和身體平衡。這樣在意外情況下能很好地控制電動工具。
- ▶ 著裝適當。不要穿寬鬆衣服或佩戴飾品。讓您的衣物及頭髮遠離運動部件。寬鬆衣服、佩飾或長髮可能會捲入運動部件中。
- ▶ 如果提供了與排屑、集塵設備連接用的裝置，要確保他們連接完好且使用得當。使用這些裝置可減少塵屑引起的危險。
- ▶ 切勿因經常使用工具所累積的熟練感而過度自信，輕忽工具的安全守則。任何一個魯莽的舉動都可能瞬間造成人員重傷。

電動工具使用和注意事項

- ▶ 不要濫用電動工具，根據用途使用適當的電動工具。選用適當設計的電動工具會使您工作更有效、更安全。
- ▶ 如果開關不能開啟或關閉工具電源，則不能使用該電動工具。不能用開關來控制的電動工具是危險的且必須進行修理。
- ▶ 在進行任何調整、更換配件或貯存電動工具之前，必須從電源上拔掉插頭並 / 或取出電池盒。這種防護性措施將減少工具意外起動的危險。
- ▶ 將閒置不用的電動工具貯存在兒童所及範圍之外，並且不要讓不熟悉電動工具或對這些說明不瞭解的人操作電動工具。電動工具在未經培訓的用戶手中是危險的。
- ▶ 保養電動工具與配備。檢查運動件是否調整到位或卡住，檢查零件破損情況和影響電動工具運行的其他狀況。如有損壞，電動工具應在使用前修理好。許多事故由維護不良的電動工具引發。
- ▶ 保持切削刀具鋒利和清潔。保養良好的有鋒利切削刃的刀具不易卡住而且容易控制。
- ▶ 按照使用說明書，考慮作業條件和進行的作業來使用電動工具、配件和工具的刀頭等。將電動工

具用於那些與其用途不符的操作可能會導致危險。

- ▶ **把手及握持區應保持乾燥、潔淨，且不得沾染任何油液或油脂。**易滑脫的把手及握持區將無法讓您在發生意外狀況時安全地抓緊並控制工具。

檢修

- ▶ **將您的電動工具送交專業維修人員，必須使用同樣的備件進行更換。**這樣將確保所維修的電動工具的安全性。

圓鋸機安全注意事項

切割程序

- ▶ **⚠ 危險：雙手需遠離切割區域和刀片。**請將另一隻手放在輔助把手或馬達外殼上。雙手皆握住電鋸可有效減少手部被刀片割傷的風險。
- ▶ **請勿將手放在工件的下方。**若放在工件的下方，防護蓋將無法保護您不受刀片的威脅。
- ▶ **將切割深度調整為工件的厚度。**工件下方應不會出現刀片鋸齒的完整鋸齒。
- ▶ **切割時，切勿用手握住待切割的工件或讓工件跨過腿部。**將工件固定到穩定的平台。請務必適當地支撐切割工作，盡可能減少身體曝露、刀片卡死或失控。
- ▶ **進行作業時，負責進行切割的工具可能會碰觸到隱藏的配線或電動工具的電線，請從絕緣握把處拿持電動工具。**若是觸及「帶電」的電線，可能導致電動工具外露的金屬部件「帶電」，進而使操作人員遭受電擊。
- ▶ **進行劈鋸時，請使用劈鋸護欄或垂直邊緣護欄。**這樣可能提升切割精確度並降低刀片卡死的機率。
- ▶ **請務必使用具備正確尺寸和心軸形狀（鑽石或圓形）的刀片。**不符合鋸片安裝硬體的刀片在運轉時將會偏離中心，進而導致失控。
- ▶ **請勿使用損壞或不正確的刀片墊片或螺栓。**刀片墊片是針對您的電鋸專門設計，能確保其運作效能與操作安全性。

反彈原因與相關警告

- 反彈是在鋸片卡住、夾住或錯位時瞬間產生的反作用力，可能造成電鋸無法控制，讓工件朝向操作人員彈出；
- 刀片被閉合的切口緊緊卡住或夾住時，刀片即無法順利向前移動，而馬達的反作用力則會使裝置朝向操作人員快速向後彈出；
- 如果在切割中刀片扭曲或錯位，則刀片背面邊緣上的鋸齒可能會鑽進木材表面，而使刀片脫出切口或朝向操作人員反彈。

反彈是不當使用電鋸及 / 或操作程序（條件）不正確所造成的結果。採取以下適當預防措施，則可避免此一情況。

- ▶ **用雙手穩定地握住電鋸上的握把，並放鬆雙臂以抵抗反彈的力量。**讓您的身體位在刀片的兩側位置，但不與刀片對齊。反彈可能導致電鋸向後彈，但如果採取了適當的預防措施，則可由操作人員來控制反彈的力量。
- ▶ **當刀片因任何原因卡死不動或中斷切割時，請鬆開開關，並讓刀片停留在材質中不要移動，直至完全停止轉動。**切勿試圖移開運作中的電鋸，或在刀片移動時將電鋸向後拉，否則可能會出現反彈狀況。瞭解情況並採取更正措施，以消除刀片卡死的原因。
- ▶ **當在工件中重新啟動鋸片時，請將鋸片居中對齊切口，使鋸齒不會與材質啮合。**如果鋸片卡死不動，重新啟動可能會使鋸片向前進或從工件反彈。
- ▶ **支撐控制板以降低刀片卡住及發生反彈的風險。**大型控制板可能因其本身的重量而下垂。必須在控制板下方兩側、靠近切割線及靠近控制板邊緣加以支撐。
- ▶ **請勿使用已磨鈍或受損的刀片。**未磨銳或未正確安裝的刀片會產生窄小的切口，造成阻力過大、刀片卡住和反彈。
- ▶ **在進行切割之前，刀片深度和斜角調整鎖定桿必須鎖緊並固定。**切割時，如果刀片調整鎖定桿移動，可能會導致卡死和反彈。
- ▶ **鋸切現有的牆面或其他盲區時需特別小心。**穿透的切片可能會切到會造成反彈的物體。

下方防護蓋功能

- ▶ **每次使用之前應檢查下方防護蓋是否正確關閉。**若下方防護蓋無法自由移動，請勿操作電鋸並立即關閉。切勿將下方防護蓋夾住或固定在開啟位置。如果電鋸意外掉落，下方防護蓋可能會彎曲。利用回縮把手提起下方防護蓋，並確保防護蓋在所有角度和切割深度下皆可自由移動，且不會接觸到刀片或任何其他零件。
- ▶ **檢查下方防護蓋回位彈簧的操作。**如果防護蓋和彈簧未正常運作，則必須在使用前進行維修。下方防護蓋可能會因損壞的零件、黏膠沉積物或碎片的累積而導致運作緩慢。
- ▶ **下方防護蓋只能在進行特殊切割（如「穿刺切割」和「複合切割」）時手動回縮。**利用回縮把手升起下方防護蓋，並在刀片進入材質時必須盡快鬆開下方防護蓋。針對所有其他鋸切作業，下方防護蓋將會自動運作。

- ▶ 將電鋸放置在鋸台或地板上之前，請務必以下方防護罩覆蓋刀片。未受保護的慣性移動刀片將會導致電鋸向後移動，並切割移動路徑上的物體。注意在鬆開開關後鋸片停止所需要的時間。

其他安全注意事項

- ▶ 切勿徒手抓握出屑口。此處有旋轉部件，可能造成您受傷。
- ▶ 作業時，請勿讓電鋸的位置高於頭部。否則將無法充分控制電動工具的運作。
- ▶ 使用合適的偵測裝置偵察隱藏的電線，或者向當地的相關單位尋求支援。接觸電線可能引起火災並讓操作者觸電。若損壞瓦斯管會引起爆炸。鑿穿水管不僅會造成嚴重的財物損失，也可能導致觸電。
- ▶ 作業期間請用雙手牢牢握緊電動工具並保持穩固。使用雙手才能夠更穩定地操作電動工具。
- ▶ 此電動工具請勿採取定位加工。它的設計並不是用來搭配鋸台使用。
- ▶ 進行非直角的「盲切」時，請固定此電鋸機的導板，以防發生側向偏移。側向偏移可能造成鋸片卡死，而使工具反彈。
- ▶ 固定好工件。使用固定裝置或老虎鉗固定工件，會比用手持握工件更牢固。
- ▶ 必須等待電動工具完全靜止後才能將它放下。嵌件工具可能卡住而使電動工具失控。
- ▶ 請勿使用高合金快速鋼（HSS）材質的鋸片。此類鋸片容易折斷。
- ▶ 請勿鋸切鐵金屬。發燙的加工碎屑可能點燃吸塵裝置。
- ▶ 請佩戴防塵面罩。

產品和功率描述



請詳讀所有安全注意事項和指示。如未遵守安全注意事項與指示，可能導致火災、人員遭受電擊及 / 或重傷。
請留意操作說明書中最前面的圖示。

依規定使用機器

本電動工具適合在穩固的底座上，對木材進行縱向和橫向的直線鋸切。

插圖上的機件

機件的編號和電動工具詳解圖上的編號一致。

- (1) 起停開關
- (2) 起停開關的作動安全鎖
- (3) 輔助手柄（絕緣握柄）^{A)}

- (4) 主軸鎖止鍵
- (5) 斜鋸角刻度尺
- (6) 設定斜鋸角的蝶翼螺栓
- (7) 平行擋塊的蝶翼螺栓
- (8) 45° 切割標記
- (9) 0° 切割標記
- (10) 平行擋塊
- (11) 活動防護罩
- (12) 底座
- (13) 活動防護罩調整桿
- (14) 出屑口
- (15) 防護罩
- (16) 把手（絕緣握柄）
- (17) 內六角扳手
- (18) 夾緊螺栓，含墊片
- (19) 緊固法蘭
- (20) 圓鋸片^{A)}
- (21) 具有配接法蘭的電鋸主軸
- (22) 設定鋸切深度的緊固扳桿
- (23) 鋸深刻度尺
- (24) 一對活動夾鉗^{B)}

A) 圖表或說明上提到的配件，並不包含在基本的供貨範圍中。本公司的配件清單中有完整的配件供應項目。

B) 一般市售（不包含在供貨範圍）

技術性數據

手提圓鋸機	GKS 140	
產品機號		3 601 FB3 0..
額定輸入功率	W	1400
無負載轉速	次 / 分	6200
使用直徑 184 mm 鋸片時的最大鋸切深度		
- 斜鋸角為 0° 時	mm	64
- 斜鋸角為 45° 時	mm	45
主軸鎖		●
底座尺寸	mm	290 x 150
最大 / 最小鋸片直徑	mm	184
鋸片主體的最大厚度	mm	2.0
接頭孔徑	mm	20

手提圓鋸機**GKS 140**

重量符合 EPTA-Procedure 01:2014	kg	3.7
-----------------------------------	----	-----

絕緣等級 //

本說明書提供的參數是以 230 伏特為依據，於低電壓地區，此數據有可能不同。

啟動電動工具時，電壓會短暫下降。如果電源供應網狀況不佳，可能會干擾其他機器。電源阻抗小於 1.539 歐姆時，不會產生干擾。

噪音 / 振動值

噪音強度是依照 EN 62841-2-5 之規定而測得的數值。

電動工具的噪音量評等為 A 級，其標準值為：音壓強度 96 dB(A)；聲功率級 107 dB(A)。不確定性係數 K = 3 dB。

請佩戴耳罩！

振動總量 a_h （三個方向的向量總和）以及不確定性係數 K 是依照 EN 62841-2-5 測得：

鋸切木材： $a_h < 2.5 \text{ m/s}^2$ ， $K = 1.5 \text{ m/s}^2$

本說明書中所載述的振動值和噪音強度皆是按照標準測量程序測得，可與其他電動工具的規格直接進行比較。這些數值亦適合用於初步評估振動強度與噪音強度。

列示的振動值和噪音強度僅代表電動工具的主要用途。電動工具若是用於其他用途、使用非指定嵌件工具、或維護不當，皆可能造成振動值和噪音強度有所偏差，而使整個工作期間的振動強度和噪音強度顯著提高。

為能正確估算振動強度與噪音強度，您應將工具開機或空轉的時間一併納入考量。這麼做可使整個工作期間的振動強度和噪音強度降低。

另外請您制定一套安全措施，以免振動對操作者產生不良影響，例如：維護電動工具與嵌件工具、確保雙手保暖、適當地編排工作步驟。

安裝

- ▶ 所使用的鋸片的最高許可轉速必須高于電動工具的無負載轉速。

安裝 / 更換圓鋸片

- ▶ 維修電動工具或換裝零、配件之前，務必從插座上拔出插頭。
- ▶ 安裝鋸片時務必戴上防護手套。手如果接觸鋸片可能被割傷。
- ▶ 根據本說明書中以及本電動工具上載述的技術數據，選擇合適的鋸片。必須選用通過 EN 847-1 認證而且具有此一認證標示的鋸片。

- ▶ 不得使用砂輪片作為切割工具。

拆卸鋸片（請參考圖 A）

更換刀具時最好以馬達機體正面朝下的方式豎起電動工具。

- 按壓主軸鎖止鍵 (4) 不要放開。
- ▶ 待電鋸主軸完全靜止後，才可以使用主軸鎖止鍵 (4)。否則可能造成電動工具損壞。
- 使用內六角扳手 (17) 將夾緊螺栓 (18) 沿旋轉方向 ① 鬆開。
- 將活動防護罩 (11) 往後翻，並讓它保持在這個位置上。
- 從具有配接法蘭的電鋸主軸 (21) 上取下緊固法蘭 (19) 和鋸片 (20)。

選擇鋸片

本手冊最後面另外刊錄了鋸片一覽表。

安裝鋸片（請參考圖 A）

更換刀具時最好以馬達機體正面朝下的方式豎起電動工具。

- 請清潔鋸片 (20) 以及所有即將裝上的緊固件。
- 將活動防護罩 (11) 往後翻，並讓它保持在這個位置上。
- 將鋸片 (20) 裝到具有配接法蘭的電鋸主軸 (21) 上。鋸齒的鋸切方向（即鋸片上的箭頭方向）必須與防護罩 (15) 上的旋轉方向指示箭頭一致。
- 裝上緊固法蘭 (19)，並沿旋轉方向 ② 旋入夾緊螺栓 (18)。請注意：具有配接法蘭的電鋸主軸 (21) 以及緊固法蘭 (19) 的安裝位置必須正確。
- 按壓主軸鎖止鍵 (4) 不要放開。
- 使用內六角扳手 (17) 將夾緊螺栓 (18) 沿旋轉方向 ② 旋緊。旋緊扭力應為 6–9 Nm，即徒手再多轉緊 ¼ 圈。

吸除廢塵 / 料屑

含鉛顏料、部分木材種類、礦石和金屬的加工廢塵有害健康。機器操作者或施工現場附近的人員如果接觸、吸入這些廢塵，可能會引發過敏反應或感染呼吸道疾病。

某些塵埃（例如加工橡木或山毛櫸的廢塵）可能致癌，特別是與處理木材的添加劑（例如木材的防腐劑等）結合之後。唯有受過專業訓練的人才能夠進行含石棉物料的加工。

- 儘可能使用適合物料的吸塵裝置。
 - 工作場所要保持空氣流通。
 - 建議佩戴 P2 過濾等級的口罩。
- 請留意並遵守貴國的物料加工相關法規。

- ▶ 避免讓工作場所堆積過多的塵垢。塵埃容易被點燃。

操作

操作模式

- ▶ **維修電動工具或換裝零、配件之前，務必從插座上拔出插頭。**

調整鋸切深度 (請參考圖 B)

- ▶ **請配合工件厚度來調整鋸切深度。** 不可以讓鋸齒完全突出於工件之外。

鬆開緊固扳桿 (22)。鋸切深度較小時，請您將電鋸抽離底座 (12)；鋸切深度較大時，請將電鋸往底座 (12) 方向推入。參考鋸深刻度尺調整好鋸深。將緊固扳桿 (22) 重新拉緊。

鬆開緊固扳桿 (22) 後，若所需的鋸切深度已超過調整範圍，請將緊固扳桿 (22) 從電鋸上拉開，然後往下翻轉。將緊固扳桿 (22) 重新放開。重複這個過程，直到調整好需要的鋸深為止。

拉緊緊固扳桿 (22) 後，若仍無法確實固定在所需鋸切深度，請將緊固扳桿 (22) 從電鋸上拉開，然後往上翻轉。將緊固扳桿 (22) 重新放開。重複這個過程，直到能夠固定在所需鋸切深度為止。

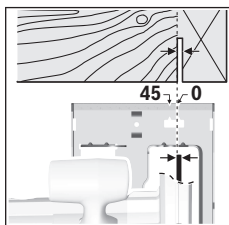
調整斜鋸角

擱放電動工具時，最好以防護罩 (15) 正面朝下之方式放置。

鬆開蝶翼螺絲 (6)。側向翻轉電鋸。參考刻度尺 (5) 調整至所需尺寸。將蝶翼螺絲 (6) 重新旋緊。

提示：進行斜切時，實際的鋸切深度會比鋸深刻度尺 (23) 上顯示的數值還要小。

切割標記



0° 切割標記 (9) 代表的是：進行直角鋸切時鋸片的所在位置。45° 切割標記 (8) 代表的是：進行 45° 鋸切時鋸片的所在位置。為了確保鋸切的準確性，請按照插圖指示操作圖鋸機。最好先進行試鋸。

操作機器

- ▶ **請注意電源電壓！** 電源的電壓必須和電動工具銘牌上標示的電壓一致。標示為 230 V 的電動工具亦可接上 220 V 電源。

啟動 / 關閉

- ▶ **請確定您不用放開把手，就能操作起停開關。**

若要讓電動工具運轉，請先按下作動安全鎖 (2) 接著再按住起停開關 (1) 不要放開。

放開起停開關 (1)，即可讓電動工具停止運轉。

提示：基於安全考量，無法鎖定起停開關 (1) 的位置，所以操作機器時必須持續按住此開關。

作業注意事項

- ▶ **維修電動工具或換裝零、配件之前，務必從插座上拔出插頭。**

妥善保護鋸片，避免遭受衝撞和敲擊。

所以操作機器時必須施力均勻，並朝著切割方向輕輕推動工具。操作機器時如果推力過猛會降低鋸片的使用壽命，並且損壞電動工具。

鋸切功率和鋸切效果，基本上是由鋸片的狀況和鋸片上鋸齒的形狀決定。因此只能使用銳利且適用於工件材質的鋸片。

鋸切木材

根據木材的種類、木材的品質以及鋸切的方向 (順著木紋鋸切或與木紋交叉鋸切) 選擇合適的鋸片。

順著木紋鋸切紅杉時會產生長的螺旋形木屑。

櫟木及橡木的鋸屑對人體健康極為有害，因此加工時請務必搭配吸塵裝置一起使用。

使用平行擋塊進行鋸切 (請參考圖 C)

平行擋塊 (10) 可讓您沿著工件邊緣精準鋸切，或鋸切出寬度相同的長條狀。

請鬆開蝶翼螺絲 (7) 然後沿著底座 (12) 上的導槽推挪平行擋塊 (10)。請將對應之切割標記 (9) 或 (8) 的刻度值設為所需鋸切寬度，請參閱「切割標記」小節。將蝶翼螺絲 (7) 重新旋緊。

使用輔助擋塊進行鋸切 (請參考圖 D)

加工大型工件或鋸切直邊時，可以用弓形夾鉗把木板或木條固定在工件上充當輔助擋塊，接著再沿著輔助擋塊移動圓鋸機底座。

維修和服務

維修和清潔

- ▶ **維修電動工具或換裝零、配件之前，務必從插座上拔出插頭。**
- ▶ **電動工具和通風口都必須保持清潔，這樣才能夠提高工作品質和安全性。**

活動防護罩必須能夠無阻礙地擺動，並且要能夠自動閉合。所以活動防護罩的四周必須隨時保持清潔。請用軟刷清除粉塵與鋸屑。

鋸片如果沒有保護塗層，可以在鋸片上塗抹一層薄薄的無酸潤滑油以預防鋸片生鏽。使用機器之前必須清除油屑，否則會在木材上留下污斑。

锯片如果黏上了殘餘的樹脂和膠水，將影響鋸切效果。因此使用機器後必須馬上清潔鋸片。

如果必須更換連接線，請務必交由 **Bosch** 或者經授權的 **Bosch** 電動工具顧客服務執行，以避免危害機器的安全性能。

顧客服務處和顧客諮詢中心

本公司顧客服務處負責回答有關本公司產品的維修、維護和備用零件的問題。以下的網頁中有分解圖和備用零件相關資料：www.bosch-pt.com

如果對本公司產品及其配件有任何疑問，博世應用諮詢小組很樂意為您提供協助。

當您需要諮詢或訂購備用零件時，請務必提供本產品型號銘牌上 10 位數的產品機號。

中國香港和澳門特別行政區

羅伯特·博世有限公司
香港北角英皇道625號21樓
客戶服務熱線：+852 2101 0235
傳真：+852 2590 9762
電子郵件：info@hk.bosch.com
www.bosch-pt.com.hk

台灣

台灣羅伯特博世股份有限公司
建國北路一段90號6樓
台北市10491
電話：(02) 7734 2588
傳真：(02) 2516 1176
www.bosch-pt.com.tw

製造商地址：

Robert Bosch Power Tools GmbH
羅伯特·博世電動工具有限公司
70538 Stuttgart / GERMANY
70538 斯圖加特/德國

廢棄物處理

必須以符合環保的方式，回收再利用損壞的機器、配件和廢棄的包裝材料。



不可以把電動工具丟入一般的家庭垃圾中。

僅適用於歐盟國家：

依據歐盟的廢電器電子設備指令 2012/19/EU 及其落實在各國當地的法令條文，無法再繼續使用的電動工具必須分別收集起來，然後遵照環保相關法規進行資源回收。

ไทย

คำเตือนเพื่อความปลอดภัย

คำเตือนเพื่อความปลอดภัยทั่วไปสำหรับเครื่องมือไฟฟ้า

คำเตือน อ่านคำเตือนเพื่อความปลอดภัย คำแนะนำ ภาพประกอบ และข้อมูล

จำเพาะทั้งหมดที่จัดส่งมาพร้อมกับเครื่องมือไฟฟ้า

การไม่ปฏิบัติตามคำแนะนำทั้งหมดที่ระบุไว้ด้านล่างนี้อาจทำให้ถูกไฟฟ้าดูด เกิดไฟไหม้ และ/หรือได้รับบาดเจ็บอย่างร้ายแรง

เก็บรักษาคำเตือนและคำสั่งทั้งหมดสำหรับเปิดอ่านในภายหลัง

คำว่า "เครื่องมือไฟฟ้า" ในคำเตือนหมายถึง เครื่องมือไฟฟ้าของท่านที่ทำงานด้วยพลังงานไฟฟ้าจากแหล่งจ่ายไฟหลัก (มีสายไฟฟ้า) และเครื่องมือไฟฟ้าที่ทำงานด้วยพลังงานไฟฟ้าจากแบตเตอรี่ (ไร้สาย)

ความปลอดภัยในสถานที่ทำงาน

- ▶ รักษาสถานที่ทำงานให้สะอาดและมีไฟส่องสว่างดี สถานที่ที่มีมืดหรืออับทึบหรือมีฝุ่นซึ่งอาจเกิดเหตุ
- ▶ อย่าใช้เครื่องมือไฟฟ้าทำงานในสภาพบรรยากาศที่จุดติดไฟได้ เช่น ในที่ที่มีของเหลวไวไฟ ก๊าซ หรือฝุ่น เมื่อใช้เครื่องมือไฟฟ้าจะเกิดประกายไฟซึ่งอาจจุดฝุ่นหรือไอให้ลุกเป็นไฟได้
- ▶ ขณะใช้เครื่องมือไฟฟ้าทำงาน ต้องกั้นเด็กและผู้ยืนดูให้ออกห่าง การหันเหความสนใจอาจทำให้ท่านขาดการควบคุมเครื่องมือ

ความปลอดภัยเกี่ยวกับไฟฟ้า

- ▶ ปลั๊กของเครื่องมือไฟฟ้าต้องเหมาะสมพอดีกับเต้าเสียบ อย่าตัดแปลงปลั๊กไม่ว่าในลักษณะใดๆ อย่างเด็ดขาด อย่าใช้ปลั๊กพ่วงต่อใดๆ กับเครื่องมือไฟฟ้าที่มีสายดิน ปลั๊กที่ไม่ตัดแปลงและเต้าเสียบที่เข้ากันช่วยลดความเสี่ยงจากการถูกไฟฟ้าดูด
- ▶ หลีกเลี่ยงอย่าให้ร่างกายสัมผัสกับพื้นผิวที่ต่อสายดินหรือลงกราวด์ไว้ เช่น ห่อ เครื่องทำความร้อน เต้า และตู้เย็น จะเสี่ยงอันตรายจากการถูกไฟฟ้าดูดมากขึ้นหากกระแสไฟฟ้าวิ่งผ่านร่างกายของท่านลงดิน

- ▶ อย่าให้เครื่องมือไฟฟ้าถูกฝนหรืออยู่ในสภาพเปียกชื้น หากน้ำเข้าไปในเครื่องมือไฟฟ้า จะเพิ่มความเสี่ยงจากการถูกไฟฟ้าดูด
- ▶ อย่าใช้สายไฟฟ้าในทางที่ผิด อย่าใช้สายไฟฟ้าเพื่อยก ดึง หรือถอดปลั๊กเครื่องมือไฟฟ้า กันสายไฟฟ้าออกจากความร้อน น้ำมัน ขอบแหลมคม หรือชิ้นส่วนที่เคลื่อนที่ สายไฟฟ้าที่ชำรุดหรือพันกันยุ่งเพิ่มความเสี่ยงจากการถูกไฟฟ้าดูด
- ▶ เมื่อใช้เครื่องมือไฟฟ้าทางานกลางแจ้ง ให้ใช้สายไฟฟ้ที่เหมาะสำหรับการใช้งานกลางแจ้ง การใช้สายไฟฟ้ที่เหมาะสำหรับงานกลางแจ้ง ช่วยลดอันตรายจากการถูกไฟฟ้าดูด
- ▶ หากไม่สามารถหลีกเลี่ยงการใช้เครื่องมือไฟฟ้าทำงานในสถานที่เปียกชื้นได้ ให้ใช้สวิตช์ตัดวงจรเมื่อเกิดการรั่วไหลของไฟฟ้าจากสายดิน (RCD) การใช้สวิตช์ตัดวงจรเมื่อเกิดการรั่วไหลของไฟฟ้าจากสายดินช่วยลดความเสี่ยงต่อการถูกไฟฟ้าดูด

ความปลอดภัยของบุคคล

- ▶ ท่านต้องอยู่ในสภาพเตรียมพร้อม ระวังระดับแรงในสิ่งที่ท่านกำลังทำอยู่ และมีสติขณะใช้เครื่องมือไฟฟ้าทำงาน อย่าใช้เครื่องมือไฟฟ้าขณะที่ท่านกำลังเหนื่อย หรืออยู่ภายใต้การครอบงำของฤทธิ์ของยาเสพติด แอลกอฮอล์ และยา เมื่อใช้เครื่องมือไฟฟ้าทำงานในชั้นงานที่ท่านขาดความเอาใจใส่อาจทำให้บุคคลบาดเจ็บอย่างรุนแรงได้
- ▶ ใช้อุปกรณ์ปกป้องร่างกาย สวมแว่นตาป้องกันเสมอ อุปกรณ์ปกป้อง เช่น หน้ากากกันฝุ่น รองเท้านิรภัย หมวกแข็ง หรือประคบหูกันเสียงดังที่ไซตามความเหมาะสมกับสภาพการทำงาน จะลดการบาดเจ็บทางร่างกาย
- ▶ ป้องกันการติดเครื่องโดยไม่ตั้งใจ ตรวจสอบให้แน่ใจว่าสวิตช์อยู่ในตำแหน่งปิดก่อนเชื่อมต่อเข้ากับแหล่งจ่ายไฟ และ/หรือเบรกเกอร์เฟ้นด์ ยกหรือถือเครื่องมือการถือเครื่องโดยใช้นิ้วหัวที่สวิตช์ หรือเสียบปลั๊กไฟฟ้าขณะสวิตช์เปิดอยู่ อาจนำไปสู่อุบัติเหตุที่ร้ายแรงได้
- ▶ นำเครื่องมือปรับแต่งหรือประแจปากตายออกก่อนเปิดสวิตช์เครื่องมือไฟฟ้า เครื่องมือหรือประแจปากตายที่วางอยู่กับสวนของเครื่องที่กำลังหมุนจะทำให้บุคคลบาดเจ็บได้
- ▶ อย่าเอื้อมไกลเกินไป ตั้งทำยีนที่มั่นคงและวางน้ำหนักให้สมดุลตลอดเวลา ในลักษณะนี้ท่านสามารถควบคุมเครื่องมือไฟฟ้าในสถานการณ์ที่ไม่คาดคิดได้ดีกว่า
- ▶ แต่งกายอย่างเหมาะสม อย่าใส่เสื้อผ้าหลวมหรือสวมเครื่องประดับ เอาหมวกและเสื้อผ้าออกจากชิ้นส่วนที่

- เคลื่อนที่ เสื้อผ้าหลวม เครื่องประดับ และหมวกอาจเข้าไปติดในชิ้นส่วนที่เคลื่อนที่
- ▶ หากเครื่องมือไฟฟ้ามีข้อเชื่อมต่อกับเครื่องดูดฝุ่นหรือเครื่องเก็บผง ให้ตรวจสอบให้แน่ใจว่าได้เชื่อมต่อและใช้งานอย่างถูกต้อง การใช้อุปกรณ์ดูดฝุ่นช่วยลดอันตรายที่เกิดจากฝุ่นได้
- ▶ เมื่อใช้งานเครื่องบ่อยครั้งจะเกิดความคุ้นเคย อย่าให้ความคุ้นเคยทำให้ท่านเกิดความชะล่าใจและละเลยกฎเกณฑ์ด้านความปลอดภัยในการใช้งานเครื่อง การทำงานอย่างไม่ระมัดระวังอาจทำให้เกิดการบาดเจ็บอย่างร้ายแรงภายในเสี้ยววินาที

การใช้และการดูแลรักษาเครื่องมือไฟฟ้า

- ▶ อย่าฝืนกำลังเครื่องมือไฟฟ้า ใช้เครื่องมือไฟฟ้าที่ต้องตรงตามลักษณะงานของท่าน เครื่องมือไฟฟ้าที่ต้องจะทำงานได้ดีกว่าและปลอดภัยกว่าในระดับสมรรถภาพที่ออกแบบไว้
- ▶ อย่าใช้เครื่องมือไฟฟ้าถ้าสวิตช์ไม่สามารถเปิดปิดได้ เครื่องมือไฟฟ้าที่ไม่สามารถควบคุมการเปิดปิดด้วยสวิตช์ได้ เป็นเครื่องมือไฟฟ้าที่ไม่ปลอดภัยและต้องส่งซ่อมแซม
- ▶ ก่อนปรับแต่งเครื่อง เปลี่ยนอุปกรณ์ประกอบ หรือเก็บเครื่องเข้าที่ ต้องถอดปลั๊กออกจากแหล่งจ่ายไฟ และ/หรือถอดเบรกเกอร์เฟ้นด์ออกจากเครื่องมือไฟฟ้าหากถอดออกได้ มาตรการป้องกันเพื่อความปลอดภัยนี้ช่วยลดความเสี่ยงจากการติดเครื่องโดยไม่ตั้งใจ
- ▶ เมื่อเลิกใช้งานเครื่องมือไฟฟ้า ให้เก็บเครื่องไว้ในที่ที่เด็กหยิบไม่ถึง และไมอนุญาตให้บุคคลที่ไม่คุ้นเคยกับเครื่องหรือบุคคลที่ไม่ได้อ่านคำแนะนำเหล่านี้ใช้เครื่องมือไฟฟ้าเป็นของอันตรายหากตกอยู่ในมือของผู้ใช้ที่ไม่ได้รับการฝึกฝน
- ▶ บำรุงรักษาเครื่องมือไฟฟ้าและอุปกรณ์ประกอบ ตรวจสอบชิ้นส่วนที่เคลื่อนที่ว่าวางไม่ตรงแนวหรือติดขัดหรือไม่ ตรวจสอบการแตกหักของชิ้นส่วนและสภาพอื่นใดที่อาจมีผลต่อการทำงานของเครื่องมือไฟฟ้า หากชำรุดต้องส่งเครื่องมือไฟฟ้าไปซ่อมแซมก่อนใช้งาน อุบัติเหตุหลายอย่างเกิดขึ้นเนื่องจากดูแลรักษาเครื่องไม่ดีพอ
- ▶ รักษาเครื่องมือตัดให้คมและสะอาด หากบำรุงรักษาเครื่องมือที่มีขอบตัดแหลมคมอย่างถูกต้อง จะสามารถตัดได้ลื่นไม่ติดขัดและควบคุมได้ง่ายกว่า
- ▶ ใช้เครื่องมือไฟฟ้า อุปกรณ์ประกอบ เครื่องมือ และอุปกรณ์อื่นๆ ตรงตามคำแนะนำเหล่านี้ โดยคำนึงถึงเงื่อนไขการทำงานและงานที่จะทำ การใช้เครื่อง

มือไฟฟ้าทำงานที่ต่างไปจากวัตถุประสงค์การใช้งานของเครื่อง อาจนำไปสู่สถานการณ์ที่เป็นอันตรายได้

- ▶ **ดูแลคัมจับและพื้นผิวจับให้แห้ง สะอาด และปราศจากคราบน้ำมันและจาระบี** คัมจับและพื้นผิวจับที่ลื่นทำให้หยิบจับได้ไม่ปลอดภัย และไม่สามารถควบคุมเครื่องมือในสถานการณ์ที่ไม่คาดคิด

การบริการ

- ▶ **ส่งเครื่องมือไฟฟ้าของท่านเข้ารับบริการจากช่างซ่อมที่มีคุณสมบัติเหมาะสม โดยใช้อะไหล่ที่เหมือนกันเท่านั้น** ในลักษณะนี้ท่านจะแน่ใจได้ว่าเครื่องมือไฟฟ้าอยู่ในสภาพที่ปลอดภัย

คำเตือนเพื่อความปลอดภัยสำหรับเลื่อยวงเดือน ขั้นตอนการตัด

- ▶ **⚠️** **อันตราย:** เอามือออกจากใบเลื่อยและบริเวณงานตัด ใช้มืออีกข้างหนึ่งของท่านจับที่คัมจับเพิ่มหรือที่ครอบมอเตอร์ หากมือทั้งสองถือเครื่องเลื่อยอยู่ มือจะไม่ถูกใบเลื่อยตัด
- ▶ **อย่าเอื้อมจับด้านล่างของชิ้นงาน** กระบังป้องกันใบเลื่อยไม่สามารถป้องกันท่านจากใบเลื่อยได้ชิ้นงานได้
- ▶ **ปรับความลึกการตัดให้เหมาะกับความหนาของชิ้นงาน** พันเลื่อยควรไหลยื่นออกมาทางด้านล่างของชิ้นงานน้อยกว่าหนึ่งฟันเต็ม
- ▶ **อย่าถือชิ้นงานไว้ในมือหรือจับพวกไว้บนขาของท่าน** ขณะทำการตัดอย่างเด็ดขาด ให้ยึดชิ้นงานกับแท่นรองที่มั่นคง การรองรับชิ้นงานอย่างถูกต้องเป็นเรื่องสำคัญ ทั้งนี้เพื่อลดการสัมผัสกับร่างกาย การติดขัดของใบเลื่อย หรือการสูญเสียการควบคุม
- ▶ **เมื่อทำงานในบริเวณที่เครื่องมือตัดอาจสัมผัสสายไฟฟ้าที่ซ่อนอยู่หรือสายไฟฟ้าของตัวเอง ต้องจับเครื่องมือไฟฟ้าตรงพื้นผิวจับที่หุ้มฉนวน** การสัมผัสกับสายที่ "มีกระแสไฟฟ้า" ไหลผ่าน จะทำให้ส่วนที่เป็นโลหะของเครื่องมือไฟฟ้าที่ไม่มีฉนวนหุ้มเกิด "มีกระแสไฟฟ้า" ด้วย และส่งผลให้ผู้ใช้เครื่องมือถูกไฟฟ้าดูดได้
- ▶ **เมื่อตัดซอย ให้ใช้รั้วซอย (rip fence) หรือตัวนำขอบตรงเสมอ** ในลักษณะนี้จะทำให้ตัดได้แม่นยำยิ่งขึ้น และลดโอกาสที่ใบเลื่อยจะติดขัด
- ▶ **ใช้ใบเลื่อยที่มีขนาดและรูปทรงของรูแกน (สี่เหลี่ยมขนมเปียกปูนหรือกลม) ที่ถูกต้องเสมอ** ใบเลื่อยที่มีขนาดไม่พอดีกับตัวตัดของเครื่องเลื่อยจะวิ่งเยื้องศูนย์ ทำให้เสียการควบคุม
- ▶ **อย่าใช้แหวนรองหรือโบลท์สำหรับใบเลื่อยที่ชำรุดหรือไม่ถูกต้องอย่างเด็ดขาด** แหวนรองหรือโบลท์สำหรับใบเลื่อยนี้ถูกออกแบบเป็นพิเศษสำหรับเครื่องเลื่อยของท่าน

เพื่อการทำงานอย่างมีประสิทธิภาพและเกิดความปลอดภัยสูงสุด

การตีกลับและคำเตือนเกี่ยวข้อง

- การตีกลับคือปฏิกิริยาสะท้อนกลับที่เกิดขึ้นฉับพลันจากใบเลื่อยที่งอ ดัดขัด หรือไม่ได้ศูนย์ ทำให้เครื่องเลื่อยที่ควบคุมไม่ได้ยกตัวออกจากชิ้นงาน และเคลื่อนเข้าหาผู้ใช้เครื่อง
- เมื่อใบเลื่อยงอหรือดัดขัดแน่นเนื่องจากคลงงเลื่อยบิดลง ใบเลื่อยจะถูกบล็อก และแรงสะท้อนของมอเตอร์จะขับเครื่องกลับเข้าหาผู้ใช้เครื่องอย่างรวดเร็ว
- หากใบเลื่อยเกิดบิดหรือไม่ได้ศูนย์ในร่องตัด พันเลื่อยที่ขอบหลังของใบเลื่อยอาจทิ่มเข้าที่ผิวหนังของมือ ทำให้ใบเลื่อยได้ออกจากคลงงเลื่อยและกระโดดกลับมายังผู้ใช้เครื่อง
- การตีกลับเป็นผลจากการใช้เครื่องเลื่อยผิดวัตถุประสงค์ และ/หรือมีสภาพหรือขั้นตอนการทำงานที่ไม่ถูกต้อง และสามารถหลีกเลี่ยงได้โดยเตรียมตัวป้องกันไว้ก่อนอย่างถูกต้องดังต่อไปนี้
- ▶ **ใช้มือทั้งสองจับเครื่องเลื่อยให้แน่น และตั้งท่าแขนของท่านไว้ด้านแรงตีกลับ** ตั้งตำแหน่งร่างกายของท่านให้อยู่ทางด้านข้างของใบเลื่อยด้านใดด้านหนึ่ง แต่อย่าอยู่ในแนวเดียวกับกับใบเลื่อย การตีกลับอาจทำให้เครื่องกระโดดถอยหลัง แต่ผู้ใช้เครื่องสามารถควบคุมแรงตีกลับได้ หากได้เตรียมตัวป้องกันไว้ก่อนอย่างถูกต้อง
- ▶ **เมื่อใบเลื่อยเกิดติดขัด หรือการตัดถูกขัดจังหวะด้วยสาเหตุใดๆ ก็ตาม ให้ปล่อยนิ้วจากสวิตช์ และจับเครื่องเลื่อยให้หนึ่งอยู่ในวัสดุจนกว่าใบเลื่อยจะหยุดสนิท** อย่าพยายามเอาเครื่องเลื่อยออกจากชิ้นงานหรือดึงเครื่องเลื่อยไปข้างหลังขณะใบเลื่อยกำลังหมุนอยู่อย่างเด็ดขาด มิฉะนั้นอาจเกิดการตีกลับได้ ตรวจสอบสาเหตุและดำเนินการแก้ไขเพื่อกำจัดสาเหตุการติดขัดของใบเลื่อย
- ▶ **เมื่อสตาร์ทเครื่องเลื่อยอีกครั้งในชิ้นงาน ให้ตั้งใบเลื่อยไว้ตรงกลางในคลงงเลื่อยโดยไม่ให้ฟันเลื่อยขบในวัสดุ** หากใบเลื่อยติดขัด ใบเลื่อยอาจกระโดดหรือตีกลับจากชิ้นงานเมื่อสตาร์ทเครื่องเลื่อยอีกครั้ง
- ▶ **หนุนแผ่นชิ้นงานที่มีขนาดใหญ่เพื่อลดความเสี่ยงที่ใบเลื่อยจะติดขัดและเกิดการตีกลับ** แผ่นชิ้นงานที่มีขนาดใหญ่มักจะห้อยหอนตามความถ่วงน้ำหนักของตัวแผ่นเอง ต้องใช้ที่รองหนุนใต้แผ่นชิ้นงานทั้งสองข้าง คือ โกลเส้นตัดและ โกลขอบแผ่นชิ้นงาน
- ▶ **อย่าใช้ใบเลื่อยที่ทื่อหรือชำรุด** ใบเลื่อยที่ไม่ได้ลับคมหรือปรับตั้งไว้อย่างไม่ถูกต้องจะให้คลงงเลื่อยที่คม ทำให้เกิดการเสียดสีมากเกินไป ใบเลื่อยเกิดติดขัดและตีกลับ
- ▶ **ก่อนตัด ต้องขันคันทันปรับความลึกใบเลื่อยและขันปรับความลาดเอียงของมุมตัดให้แน่น** หากการปรับใบเลื่อย

เคลื่อนที่ขณะทำการตัด อาจทำให้ใบเลื่อยติดขัดและตีกลับได้

- ▶ ใช้ความระมัดระวังเป็นพิเศษเมื่อเลื่อยเข้าไปในผนังที่มีอยู่หรือบริเวณจุดบอดอื่นๆ ใบเลื่อยที่ยื่นออกมาอาจตัดวัตถุที่อาจทำให้เกิดการตีกลับ

การทำงานของกระบั้งล่าง

- ▶ ตรวจสอบกระบั้งล่างให้ปิดอย่างถูกต้องก่อนใช้งานทุกครั้ง อย่าใช้เครื่องเลื่อยหากกระบั้งล่างเคลื่อนไหวไปมาอย่างอิสระ ไม่ได้และไม่ได้ในทันที อย่าหนีบหรือผูกกระบั้งล่างให้อยู่ในตำแหน่งเปิดหากเครื่องเลื่อยตกหล่นโดยบังเอิญ กระบั้งล่างอาจโค้งงอ เปิดกระบั้งล่างด้วยคันจับที่ชักกรนได้ และดูให้แน่ใจว่ากระบั้งล่างเคลื่อนไหวไปมาได้อย่างอิสระ และไม่แตะใบเลื่อยหรือส่วนอื่นใดในมุมตัดและความลึกการตัดทั้งหมด
- ▶ ตรวจสอบการทำงานของสปริงของกระบั้งล่าง หากกระบั้งและสปริงทำงานไม่ถูกต้อง ต้องนำไปซ่อมบำรุงก่อนใช้งาน กระบั้งล่างอาจทำงานเฉื่อยเนื่องจากชิ้นส่วนชำรุด ชักบดถูกพัดมากองติดเหนียว หรือกองสะสมกัน
- ▶ อาจใช้มือชักกรนกระบั้งล่างเฉพาะเมื่อต้องการตัดแบบพิเศษเท่านั้น เช่น "การจ้วงตัด" และ "การตัดแบบผสม" เปิดกระบั้งล่างด้วยคันจับที่ชักกรนได้ และต้องปล่อยกระบั้งล่างในทันทีที่ใบเลื่อยขมเข้าในวัสดุสำหรับการเลื่อยแบบอื่นทั้งหมด กระบั้งล่างควรต้องทำงานโดยอัตโนมัติ
- ▶ ตรวจสอบให้กระบั้งล่างครอบใบเลื่อยทุกครั้งก่อนวางเครื่องเลื่อยลงบนโต๊ะทำงานหรือบนพื้นใบเลื่อยที่ไม่ถูกปกป้องและยังคงวิ่งต่อจะทำให้เครื่องเลื่อยเดินถอยหลัง ตัดสิ่งใดก็ตามที่ขวางทาง ฟังคำแจ้งเตือนระยะเวลาที่ใบเลื่อยจะหยุดหลังจากปิดสวิตช์แล้ว

คำแนะนำเพื่อความปลอดภัยเพิ่มเติม

- ▶ อย่ายื่นมือเข้าไปในช่องฟันซี่นอกอก ท่านอาจได้รับบาดเจ็บจากชิ้นส่วนที่หมุนอยู่
- ▶ อย่าใช้เครื่องเลื่อยทำงานเหนือศีรษะ ในลักษณะนี้ท่านจะไม่สามารถควบคุมเครื่องมือไฟฟ้าได้อย่างเพียงพอ
- ▶ ใช้เครื่องตรวจจับที่เหมาะสมเพื่อตรวจสอบสายไฟฟ้าหรือท่อสาธารณูปโภคที่อาจซ่อนอยู่ในบริเวณทำงานหรือติดต่อบริษัทสาธารณูปโภคในพื้นที่เพื่อขอความช่วยเหลือ การสัมผัสสายไฟอาจทำให้เกิดไฟไหม้หรือถูกไฟฟ้าดูด การทำให้ท่อแก๊สเสียหายอาจทำให้เกิดระเบิด การเจาะเข้าไปในท่อทำให้ทรัพย์สินเสียหาย หรืออาจเป็นเหตุให้ถูกไฟฟ้าดูดได้
- ▶ จับเครื่องมือไฟฟ้าให้แน่นด้วยมือทั้งสองข้างและตั้งท่ายืนให้มั่นคงขณะทำงาน ท่านจะสามารถนำทางเครื่องมือไฟฟ้าได้ปลอดภัยกว่าเมื่อจับเครื่องด้วยมือทั้งสองข้าง

- ▶ อย่าใช้เครื่องมือไฟฟ้าโดยตรงเครื่องอยู่กับที่ เครื่องไม่ได้ออกแบบไว้สำหรับใช้กับโต๊ะเลื่อย
- ▶ ตรวจสอบให้แน่ใจว่าเพลตนำของเครื่องเลื่อยจะไม่เคลื่อนไปด้านข้างในขณะที่ทำ "การจ้วงตัด" ที่ไม่ได้ทำในเชิงตั้งฉาก การเคลื่อนไปด้านข้างอาจทำให้ใบเลื่อยติดขัดและเกิดการตีกลับได้
- ▶ ยึดชิ้นงานให้แน่น การยึดชิ้นงานด้วยเครื่องหนีบหรือแท่นจับจะมั่นคงกว่าการยึดด้วยมือ
- ▶ รอให้เครื่องมือไฟฟ้าหยุดสนิทก่อนวางเครื่องลงบนพื้น เครื่องมือที่ปล่อยอาจติดขัดและทำให้สูญเสียการควบคุมเครื่องมือไฟฟ้า
- ▶ อย่าใช้ใบเลื่อยที่ทำจากเหล็กกล้าความเร็วสูง (High Speed Steel, HSS) ใบเลื่อยนี้แตกง่าย
- ▶ อย่าเลื่อยโลหะจำพวกเหล็ก เศษที่เลื่อยร่อนสีแดงสามารถจุดระบบดูดฝุ่นให้ลุกไหม้ได้
- ▶ สวมหน้ากากป้องกันฝุ่น

รายละเอียดผลิตภัณฑ์และข้อมูล

จำเพาะ



อ่านคำเตือนเพื่อความปลอดภัยและคำแนะนำทั้งหมด การไม่ปฏิบัติตามคำเตือนและคำสั่งอาจเป็นสาเหตุให้ถูกไฟฟ้าดูด เกิดไฟไหม้ และ/หรือได้รับบาดเจ็บอย่างร้ายแรง

กรุณาดูภาพประกอบในส่วนหน้าของคู่มือการใช้งาน

ประโยชน์การใช้งานของเครื่อง

เครื่องมือไฟฟ้านี้ใช้สำหรับตัดไม้ตามยาวและตามขวางโดยตัดเป็นเส้นตรง รวมทั้งตัดเป็นมุมเอียงได้ขณะวางอย่างมั่นคงบนชิ้นงาน

ส่วนประกอบผลิตภัณฑ์

ลำดับเลขของส่วนประกอบผลิตภัณฑ์อ้างอิงถึงส่วนประกอบของเครื่องที่แสดงในหน้าภาพประกอบ

- (1) สวิตช์เปิด-ปิด
- (2) บุ่มล็อคไม่ให้สวิตช์เปิด-ปิดทำงาน
- (3) ตามจับเพิ่ม (พื้นผิวจับทั้งหมด)^{A)}
- (4) บุ่มล็อคแกน
- (5) มาตราส่วนมุมเอียง
- (6) น็อตปิ๊กสำหรับการเลือกมุมเอียงล่วงหน้า
- (7) น็อตปิ๊กสำหรับแฉกกำหนดแนวขนาน
- (8) เครื่องหมายตัด 45°
- (9) เครื่องหมายตัด 0°

- (10) แผงกำหนดแนวขนา
- (11) กระจกป้องกันใบเลื่อยชนิดชักกรันได้
- (12) แผ่นฐาน
- (13) คันจับสำหรับกระจกป้องกันใบเลื่อยชนิดชักกรันได้
- (14) ช่องพ่นซีกมออก
- (15) กระจกป้องกันใบเลื่อย
- (16) ด้ามจับ (พื้นผิวจับหุ้มฉนวน)
- (17) ประแจขันทกเหลี่ยม
- (18) โบลท์ยึดพร้อมแหวนรอง
- (19) น็อตยึด
- (20) ใบเลื่อย^{A)}
- (21) แกนเครื่องพร้อมน็อตรอง
- (22) คันหนีบสำหรับเลือกความลึกการตัดล่วงหน้า
- (23) มาตรฐานส่วนความลึกการตัด
- (24) สกรูยึดสำหรับข้อต่อท่อตัดออก^{B)}

- A) อุปกรณ์ประกอบที่แสดงภาพหรืออธิบายไม่รวมอยู่ในการจัดส่งมาตรฐาน
กรุณาดูอุปกรณ์ประกอบทั้งหมดในรายการแสดงอุปกรณ์ประกอบของเรา
- B) มีจำหน่ายทั่วไป (ไม่รวมอยู่ในการจัดส่ง)

ข้อมูลทางเทคนิค

เลื่อยวงเดือน		GKS 140
หมายเลขสินค้า		3 601 FB3 0..
กำลังไฟฟ้าที่ติดตั้งเข้า	วัตต์	1400
ความเร็วรอบเดินตัวเปล่า	รอบ/นาที	6200
ความลึกการตัดสูงสุดด้วยใบเลื่อยขนาดเส้นผ่าศูนย์กลาง 184 มม.		
- สำหรับมุมเอียง 0°	มม.	64
- สำหรับมุมเอียง 45°	มม.	45
ล็อกแกน		●
ขนาดแผ่นฐาน	มม.	290 x 150
เส้นผ่าศูนย์กลางใบเลื่อยสูงสุด/ต่ำสุด	มม.	184
ความหนาใบเลื่อย สูงสุด	มม.	2.0
รูปประกอบ	มม.	20

เลื่อยวงเดือน

GKS 140

น้ำหนักตามระเบียบการ EPTA-Procedure 01:2014	กก.	3.7
ระดับความปลอดภัย		/ II

ค่าที่ให้นี้ใช้ได้กับแรงดันไฟฟ้าอิมินอล [U] 230 โวลท์ค่าเหล่านี้ อาจเปลี่ยนแปลงไปสำหรับแรงดันไฟฟ้าที่แตกต่างกัน และโมเดลที่ผลิตสำหรับเฉพาะประเทศ

กระบวนการเปิดเครื่องจะทำให้แรงดันไฟฟ้าตกลงช่วงสั้นๆ ในกรณีที่สภาวะการจ่ายไฟฟ้าไม่เอื้ออำนวย อาจเกิดคลื่นรบกวนอุปกรณ์/เครื่องอื่นๆ ได้ หากความต้านทานของระบบต่ำกว่า 1.539 โอห์ม คาดว่าจะไม่เกิดความผิดปกติ

ข้อมูลเกี่ยวกับเสียงและการสั่นตัว

ค่าการปล่อยเสียงกำหนดตาม EN 62841-2-5

ตามปกติระดับเสียงแบบถ่วงน้ำหนัก-A ของเครื่องมือไฟฟ้า คือ: ระดับความดันเสียง 96 เดซิเบล (A); ระดับกำลังเสียง 107 เดซิเบล (A) ความคลาดเคลื่อน K = 3 เดซิเบล

สวมอุปกรณ์ป้องกันเสียงดัง!

ค่าความสั่นสะเทือนรวม a_h (ผลรวมเชิงเวกเตอร์ของสามทิศทาง) และความคลาดเคลื่อน K กำหนดตาม EN 62841-2-5:

การเลื่อยไม้: $a_h < 2.5 \text{ m/s}^2$, $K = 1.5 \text{ m/s}^2$

ระดับความสั่นสะเทือนและค่าการปล่อยเสียงที่ให้ไว้ในคำแนะนำนี้วัดตามกระบวนการวัดมาตรฐาน และสามารถใช่สำหรับเปรียบเทียบเครื่องมือไฟฟ้าซึ่งกันและกัน ค่านี้ยังอาจใช้สำหรับประเมินการปล่อยความสั่นสะเทือนและการปล่อยเสียงเบื้องต้นได้อีกด้วย

ระดับความสั่นสะเทือนและค่าการปล่อยเสียงที่ให้ไว้นี้แสดงการใช้งานส่วนใหญ่ของเครื่องมือไฟฟ้า อย่างไรก็ตาม หากเครื่องมือไฟฟ้าถูกใช้เพื่อทำงานประเภทอื่น ใช้ร่วมกับอุปกรณ์ประกอบที่ติดตั้งไป หรือได้รับการบำรุงรักษาไม่ดีพอ ระดับความสั่นสะเทือนและค่าการปล่อยเสียงอาจแตกต่างไปจากค่าที่ให้ไว้ ปัจจัยเหล่านี้อาจส่งผลให้ระดับความสั่นสะเทือนและระดับเสียงเพิ่มขึ้นอย่างชัดเจนตลอดระยะเวลาการทำงานทั้งหมด

สำหรับการประเมินการปล่อยความสั่นสะเทือนและการปล่อยเสียงอย่างถูกต้อง ควรนำเวลาที่เครื่องมือไฟฟ้าปิดสวิตช์หรือขณะที่เครื่องกำลังวิ่งแต่ไม่ได้ทำงานจริงมาพิจารณาด้วย ปัจจัยเหล่านี้อาจส่งผลให้ระดับความสั่นสะเทือนและระดับเสียงลดลงอย่างชัดเจนตลอดระยะเวลาการทำงานทั้งหมด กำหนดมาตรการเพื่อความปลอดภัยเพิ่มเติมเพื่อป้องกันผู้ใช้ งานจากผลกระทบจากการสั่นสะเทือน ต.ย. เช่น: บำรุง

รักษาเครื่องมือไฟฟ้าและอุปกรณ์ประกอบ ทำมือให้อุ่นไว้ จัดลำดับกระบวนการทำงาน

การติดตั้ง

- ▶ ใช้เฉพาะใบเลื่อยที่มีความเร็วสูงสุดที่อนุญาตสูงกว่าความเร็วรอบตัวเปล่าของเครื่องมือไฟฟ้า

การใส่/การเปลี่ยนใบเลื่อย

- ▶ ดึงปลั๊กไฟออกจากเต้าเสียบก่อนปรับแต่งเครื่อง
- ▶ สวมถุงมือป้องกันอันตรายเมื่อติดตั้งใบเลื่อย การสัมผัสกับใบเลื่อยจะทำให้บาดเจ็บได้
- ▶ ใช้เฉพาะใบเลื่อยที่ตรงตามข้อกำหนดที่ระบุไว้ในคู่มือการใช้งานนี้และบนเครื่องมือไฟฟ้า และติดตามการทดสอบตามมาตรฐาน EN 847-1 และทำเครื่องหมายไว้เท่านั้น
- ▶ อย่านำจานขัดมาใช้เป็นเครื่องมืออย่างเด็ดขาด

การถอดใบเลื่อย (ดูภาพประกอบ A)

เมื่อต้องการเปลี่ยนเครื่องมือ ทางที่ดีที่สุดควรวางเครื่องมือไฟฟ้าโดยจับด้านหน้าของที่ครอบมอเตอร์ลง

- กดปุ่มล็อกแกน (4) และกดค้างไว้
- ▶ กดปุ่มล็อกแกน (4) เมื่อใบเลื่อยหยุดนิ่งอยู่กับที่แล้วเท่านั้น มิฉะนั้นเครื่องอาจชำรุดได้
- ใช้ประแจขันหกเหลี่ยม (17) ขันโบลท์ยึด (18) ออกโดยหมุนไปในทิศทางหมุน ⚙
- กระดกกระบังป้องกันใบเลื่อยชนิดชักมันได้ (11) ไปด้านหลังและจับไว้ให้แน่น
- ถอดน็อตยึด (19) และใบเลื่อย (20) ออกจากแกนเครื่องพร้อมนอตรอง (21)

การเลือกใบเลื่อย

กรุณาดูภาพรวมของใบเลื่อยที่แนะนำในตอนท้ายของคู่มือการใช้งาน

การติดตั้งใบเลื่อย (ดูภาพประกอบ A)

เมื่อต้องการเปลี่ยนเครื่องมือ ทางที่ดีที่สุดควรวางเครื่องมือไฟฟ้าโดยจับด้านหน้าของที่ครอบมอเตอร์ลง

- ทำความสะอาดใบเลื่อย (20) และชิ้นส่วนยึดหนีบที่จะติดตั้งทั้งหมด
- กระดกกระบังป้องกันใบเลื่อยชนิดชักมันได้ (11) ไปด้านหลังและจับไว้ให้แน่น
- สวมใบเลื่อย (20) เข้าบนแกนเครื่องพร้อมนอตรอง (21) ทิศทางตัดของฟัน (ทิศทางลูกศรบนใบเลื่อย) และทิศทางหมุนของลูกศรที่แสดงบนกระบังป้องกันใบเลื่อย (15) ต้องชี้ไปทางเดียวกัน

- ประกอบน็อตยึด (19) และขันโบลท์ยึด (18) เข้าโดยหมุนไปในทิศทางหมุน ⚙ ตรวจสอบให้แกนเครื่องพร้อมนอตรอง (21) และน็อตยึด (19) อยู่ในตำแหน่งประกอบที่ถูกต้อง
- กดปุ่มล็อกแกน (4) และกดค้างไว้
- ใช้ประแจขันหกเหลี่ยม (17) ขันโบลท์ยึด (18) เข้าให้แน่นโดยหมุนไปในทิศทางหมุน ⚙ แรงบิดการขันควรวูอยู่ระหว่าง 6–9 นิวตันเมตร ซึ่งมีค่าเท่ากับกำกับการหมุนด้วยมือจนตึงบวก ¼ รอบ

การดูแล/ข้อเสีย

- ฝุ่นที่ไดจากวัสดุ เช่น เคลือบผิวที่มีสารตะกั่ว ไม้ยางประเภทแรธาตุ และโลหะ อาจเป็นอันตรายต่อสุขภาพ การสัมผัสหรือการหายใจเอาฝุ่นเข้าไปอาจทำให้เกิดปฏิกิริยาแพ้ฝุ่น และ/หรือนำมาซึ่งโรคติดเชื้อระบบหายใจแก่ผู้ใช้เครื่องหรือผู้ที่ยืนอยู่ใกล้เคียง
- ฝุ่นบางประเภท เช่น ฝุ่นไม้โอ๊ก หรือไม้บีช นับเป็นสารที่ทำให้เกิดมะเร็ง โดยเฉพาะอย่างยิ่งเมื่อผสมกับสารเติมแต่งเพื่อบำบัดไม้ (โครเมต ผลิตภัณฑ์รักษาเนื้อไม้) สำหรับวัสดุที่มีแอลเบทอลต้องให้ผู้เชี่ยวชาญทำงานเท่านั้น
- ใช้ระบบดูดฝุ่นออกที่เหมาะสมกับประเภทวัสดุ มากเท่าที่จะทำได้
 - จัดสถานที่ทำงานให้มีการระบายอากาศที่ดี
 - ขอแนะนำให้สวมหน้ากากป้องกันการติดเชื้อที่มีระดับ-ใส่กรอง P2

ปฏิบัติตามกฎข้อบังคับสำคัญอื่นๆ ที่เกี่ยวกับวัสดุชิ้นงานที่บังคับใช้ในประเทศของท่าน

- ▶ ป้องกันการสะสมของฝุ่นในสถานที่ทำงาน ฝุ่นสามารถถูกใหม่อย่างง่ายดาย

การปฏิบัติงาน

รูปแบบการทำงาน

- ▶ ดึงปลั๊กไฟออกจากเต้าเสียบก่อนปรับแต่งเครื่อง

การปรับความลึกการตัด (ดูภาพประกอบ B)

- ▶ ปรับความลึกการตัดให้เหมาะสมกับความหนาของชิ้นงาน ฟันเลื่อยควรไหลยื่นออกมาทางด้านล่างของชิ้นงานน้อยกว่าหนึ่งฟันเต็ม

คลายคันหนีบ (22) ออก สำหรับความลึกการตัดน้อย ให้ดึงเครื่องเลื่อยออกจากแผ่นฐาน (12) สำหรับความลึกการตัดมาก ให้ดันเครื่องเลื่อยเข้าหาแผ่นฐาน (12) ปรับความลึกการตัดที่ต้องการที่มาตรส่วนความลึกการตัด ขันคันหนีบ (22) กลับเข้าที่แน่น

เมื่อคลายคันทัน (22) แล้ว ยังไม่สามารถปรับความลึกการตัดได้อย่างเต็มที่ ให้ตั้งคันทัน (22) ออกจากเครื่องเลื่อยและหมุนคันทันลงข้างล่าง ปลดปล่อยน๊อคคันทัน (22) ทำซ้ำขั้นตอนเดิมจนสามารถปรับความลึกการตัดที่ต้องการเมื่อยึดคันทัน (22) แล้ว ยังไม่สามารถล็อคความลึกการตัดให้แน่นอนพอ ให้ตั้งคันทัน (22) ออกจากเครื่องเลื่อยและหมุนคันทันขึ้นข้างบน ปลดปล่อยน๊อคคันทัน (22) ทำซ้ำขั้นตอนเดิมจนสามารถล็อคความลึกการตัดถูกล็อค

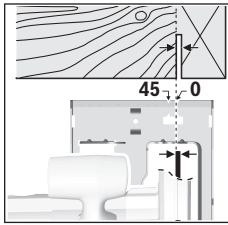
การปรับมุมตัด

ทางที่ดีที่สุดควรวางเครื่องมือไฟฟ้าโดยจับด้านหน้าของกระบะบังป้องกันใบเลื่อย (15) ลง

คลายน๊อตปิ๊ก (6) ออก เอียงเครื่องเลื่อยไปทางด้านข้าง ปรับขนาดที่ต้องการที่มาตราร่วม (5) ชั้นน๊อตปิ๊ก (6) กลับเข้าให้แน่น

หมายเหตุ: สำหรับการตัดมุมเอียง จะได้ความลึกการตัดน้อยกว่าค่าที่แสดงบนมาตราร่วมความลึกการตัด (23)

เครื่องมือตัด



เครื่องมือตัด 0° (9) แสดงตำแหน่งของใบเลื่อยสำหรับการตัดเป็นมุมฉาก เครื่องมือตัด 45° (8) แสดงตำแหน่งของใบเลื่อยสำหรับการตัด 45° เพื่อให้ได้การตัดที่แม่นยำ ให้จับเลื่อยวงเดือนเข้าหาชิ้นงาน

ดังแสดงในภาพ ทางที่ดีที่สุดควรมีข้อมงการตัดก่อน

การเริ่มต้นปฏิบัติงาน

▶ ให้สังเกตแรงดันไฟฟ้า! แรง

ดันไฟฟ้าจากแหล่งจ่ายไฟฟ้าต้องมีค่าตรงกับค่าแรงดันไฟฟ้าที่ระบุไว้บนแผ่นป้ายพิกัดเครื่อง เครื่องมือไฟฟ้าที่มีเครื่องหมาย 230 โวลต์ สามารถใช้งานกับ 220 โวลต์ ได้ด้วย

การเปิด-ปิดเครื่อง

▶ ตรวจสอบให้แน่ใจว่าท่านสามารถใช้งานสวิตช์เปิด-ปิดได้โดยไม่ต้องปล่อยด้ามจับ

เมื่อต้องการสาร์ทเครื่องมือไฟฟ้า ในขั้นแรกให้กดปุ่มล็อคไม่ให้สวิตช์เปิด-ปิดทำงาน (2) และจากนั้นจึงกดสวิตช์เปิด-ปิด (1)

ปิดสวิตช์เครื่องมือไฟฟ้าโดยปล่อยนิ้วจากสวิตช์เปิด-ปิด (1)

หมายเหตุ: ด้วยเหตุผลด้านความปลอดภัย จึงไม่สามารถล็อคสวิตช์เปิด-ปิด (1) ได้ จะต้องกดสวิตช์เปิด-ปิดตลอดเวลาปฏิบัติงาน

ข้อแนะนำในการทำงาน

▶ ดึงปลั๊กไฟออกจากเต้าเสียบก่อนปรับแต่งเครื่อง

ต้องป้องกันใบเลื่อยไม่ให้ถูกกระทบกระแทก

เคลื่อนเครื่องอย่างสม่ำเสมอและอ่อนเบาๆ ไปในทิศทางที่ต้องการเคลื่อนเครื่องไปข้างหน้าเกินกำลังจะบั่นทอนอายุการใช้งานของเครื่องมือตัดและอาจทำให้เครื่องมือไฟฟ้าชำรุดได้

ประสิทธิภาพการเลื่อยและคุณภาพการ

ตัดขึ้นอยู่กับสภาพและลักษณะพื้นของใบเลื่อยเป็นหลัก ดังนั้นให้ใช้เฉพาะใบเลื่อยที่คมและเหมาะกับประเภทวัสดุชิ้นงานเท่านั้น

การเลื่อยไม้

หลักการเลือกใบเลื่อยที่ถูกต้อง

คือต้องเลือกตามประเภทของไม้ คุณภาพของไม้

และต้องดูว่าต้องการตัดตามยาวหรือตามขวาง

เมื่อตัดไม้จำพวกสนตามแนวยาว จะได้เศษไม้ขดเป็นวงยาว

ฝุ่นไม้ไ้ก และไม้ขี้ เป็นอันตรายต่อสุขภาพอย่างยิ่ง ดังนั้น

เมื่อทำงานต้องดูดฝุ่นออกเสมอ

การเลื่อยโดยใช้แฉกกำหนดแนวขนาน (รูปภาพประกอบ C)

แฉกกำหนดแนวขนาน (10) ทำให้สามารถตัดเลียบขอบชิ้นงาน และตัดเป็นท่อนยาวในขนาดเท่าๆ กันได้อย่างเที่ยงตรง คลายน๊อตปิ๊ก (7) และเลื่อนมาตราร่วมของแฉกกำหนดแนวขนาน (10) ผ่านตัวนำในแผ่นฐาน (12) ตั้งความกว้างการตัดที่ต้องการเป็นค่ามาตราร่วมไว้ที่เครื่องหมายตัด (9) หรือ (8) ที่เกี่ยวข้อง ดูปท "เครื่องหมายตัด" ชั้นน๊อตปิ๊ก (7) กลับเข้าที่เดิม

การเลื่อยโดยใช้แฉกช่วยนำทาง (รูปภาพประกอบ D)

สำหรับการตัดชิ้นงานขนาดใหญ่หรือตัดขอบตรง

ให้หนีบแผ่นกระดานหรือท่อนไมยยาวเข้ากับชิ้น

งานเพื่อใช้เป็นแฉกช่วยนำทาง ท่านสามารถเคลื่อนแผ่น

ฐานของเลื่อยวงเดือนเลียบไปตามแฉกช่วยนำทาง

การบำรุงรักษาและการบริการ

การบำรุงรักษาและการทำความสะอาด

▶ ดึงปลั๊กไฟออกจากเต้าเสียบก่อนปรับแต่งเครื่อง

▶ เพื่อให้ทำงานได้อย่างถูกต้องและปลอดภัย

ต้องรักษาเครื่องและช่องระบายอากาศ

ให้สะอาดอยู่เสมอ

กระบะบังป้องกันใบเลื่อยชนิดชักกรันได้ต้องเคลื่อนไหวไป

มาได้อย่างอิสระและปิดได้โดยอัตโนมัติตลอดเวลา ตั้ง

นั้นต้องรักษาบริเวณรอบๆ กระบะบังป้องกันใบเลื่อยชนิดชักกรัน

ได้ให้สะอาดอยู่เสมอ เอาฝุ่นและเศษผงออกโดยใช้แปรงปัด

ใบเลื่อยที่ไม่ได้เคลือบสามารถใช้น้ำมันที่ไม่มีกรดตกค้างๆ เพื่อป้องกันสนิม ต้องเช็ดน้ำมันออกก่อนใช้ใบเลื่อย มิฉะนั้นน้ำมันจะเยิ้มไม่ทำให้สกปรกได้

เศษเหลือของยางไม้และกาวบนใบเลื่อยทำให้ตัดได้ไม่ดี ดังนั้นให้ทำความสะอาดใบเลื่อยทันทีหลังใช้งาน

หากจำเป็นต้องเปลี่ยนสายไฟฟ้า ต้องส่งเครื่องให้ Bosch หรือศูนย์บริการหลังการขายที่ได้รับมอบหมายสำหรับเครื่องมือไฟฟ้า Bosch เปลี่ยนให้ ทั้งนี้เพื่อหลีกเลี่ยงอันตราย

การบริการหลังการขายและการให้คำปรึกษาการใช้งาน

ศูนย์บริการหลังการขายของเรายินดีตอบคำถามของท่านที่เกี่ยวกับการบำรุงรักษาและการซ่อมแซมผลิตภัณฑ์รวมทั้งเรื่องอะไหล่ ภาพเขียนแบบการประกอบและข้อมูลเกี่ยวกับอะไหล่ กรุณาดูใน: www.bosch-pt.com

ทีมงานที่ปรึกษาของ บอช ยินดีให้ข้อมูลเกี่ยวกับผลิตภัณฑ์ของเราและอุปกรณ์ประกอบต่างๆ

เมื่อต้องการสอบถามและสั่งซื้ออะไหล่ กรุณาแจ้งหมายเลขสินค้า 10 หลักบนแผ่นป้ายรุ่นของผลิตภัณฑ์ทุกครั้ง

ไทย

ไทย บริษัท โรเบิร์ต บอช จำกัด

เอพวายไอ เซ็นเตอร์ อาคาร 1 ชั้น 5

เลขที่ 2525 ถนนพระราม 4

แขวงคลองเตย เขตคลองเตย กรุงเทพฯ 10110

โทร: +66 2012 8888

แฟกซ์: +66 2064 5800

www.bosch.co.th

ศูนย์บริการซ่อมและฝึกอบรม บอช

อาคาร ลาซาลทาวเวอร์ ชั้น G ห้องเลขที่ 2

บ้านเลขที่ 10/11 หมู่ 16

ถนนศรีนครินทร์ ตำบลบางแก้ว อำเภอบางพลี

จังหวัดสมุทรปราการ 10540

ประเทศไทย

โทรศัพท์ 02 7587555

โทรสาร 02 7587525

การกำจัดขยะ

เครื่องมือไฟฟ้า อุปกรณ์ประกอบ และทิปห่อ ต้องนำไปแยกประเภทวัสดุเพื่อการรีไซเคิลที่เป็นมิตรต่อสิ่งแวดล้อม



อย่าทิ้งเครื่องมือไฟฟ้าลงในขยะครัวเรือน!

สำหรับประเทศสมาชิกสหภาพยุโรปเท่านั้น:

ตามระเบียบสหภาพยุโรป 2012/19/EU เกี่ยวกับเศษเหลือทิ้งของผลิตภัณฑ์ไฟฟ้าและอิเล็กทรอนิกส์และการนำไปปฏิบัติ

ในกฎหมายระดับประเทศ ต้องเก็บแยกเครื่องมือไฟฟ้าที่ไม่สามารถใช้งานได้อีกต่อไปและส่งเข้าสู่กระบวนการรีไซเคิลที่ไม่ทำลายสภาพแวดล้อม

Bahasa Indonesia

Petunjuk Keselamatan

Petunjuk keselamatan umum untuk perkakas listrik

PERINGATAN Baca semua peringatan, petunjuk, ilustrasi, dan spesifikasi

keselamatan yang diberikan bersama perkakas listrik ini. Kesalahan dalam menjalankan petunjuk di bawah ini dapat mengakibatkan sengatan listrik, kebakaran, dan/atau cedera serius.

Simpanlah semua peringatan dan petunjuk untuk penggunaan di masa mendatang.

Istilah "perkakas listrik" dalam peringatan mengacu pada perkakas listrik yang dioperasikan dengan listrik (menggunakan kabel) atau perkakas listrik yang dioperasikan dengan baterai (tanpa kabel).

Keamanan tempat kerja

- ▶ **Jaga kebersihan dan pencahayaan area kerja.** Area yang berantakan atau gelap dapat memicu kecelakaan.
- ▶ **Jangan mengoperasikan perkakas listrik di lingkungan yang dapat memicu ledakan, seperti adanya cairan, gas, atau debu yang mudah terbakar.** Perkakas listrik dapat memancarkan bunga api yang kemudian mengakibatkan debu atau uap terbakar.
- ▶ **Jauhkan dari jangkauan anak-anak dan pengamat saat mengoperasikan perkakas listrik.** Gangguan dapat menyebabkan hilangnya kendali.

Keamanan listrik

- ▶ **Steker perkakas listrik harus sesuai dengan stopkontak. Jangan pernah memodifikasi steker. Jangan menggunakan steker adaptor bersama dengan perkakas listrik yang terhubung dengan sistem grounding.** Steker yang tidak dimodifikasi dan stopkontak yang cocok akan mengurangi risiko sengatan listrik.
- ▶ **Hindari kontak badan dengan permukaan yang terhubung dengan sistem grounding, seperti pipa, radiator, kompor, dan lemari es.** Terdapat peningkatan risiko terjadinya sengatan listrik jika badan Anda terhubung dengan sistem grounding.
- ▶ **Perkakas listrik tidak boleh terpapar hujan atau basah.** Air yang masuk ke dalam perkakas listrik menambah risiko terjadinya sengatan listrik.
- ▶ **Jangan menyalahgunakan kabel. Jangan gunakan kabel untuk membawa, menarik, atau melepas steker**

perkakas listrik. Jauhkan kabel dari panas, minyak, tepi yang tajam, atau komponen yang bergerak. Kabel listrik yang rusak atau tersangkut menambah risiko terjadinya sengatan listrik.

- ▶ **Saat mengoperasikan perkakas listrik di luar ruangan, gunakan kabel ekstensi yang sesuai untuk penggunaan di luar ruangan.** Penggunaan kabel yang cocok untuk pemakaian di luar ruangan mengurangi risiko terjadinya sengatan listrik.
- ▶ **Jika perkakas listrik memang harus dioperasikan di tempat yang lembap, gunakan pemutus arus listrik residu (RCD).** Penggunaan RCD akan mengurangi risiko terjadinya sengatan listrik.

Keselamatan personel

- ▶ **Tetap waspada, perhatikan aktivitas yang sedang dikerjakan dan gunakan akal sehat saat mengoperasikan perkakas listrik. Jangan gunakan perkakas listrik saat mengalami kelelahan atau di bawah pengaruh narkoba, alkohol, atau obat-obatan.** Jika perkakas listrik dioperasikan dengan daya konsentrasi yang rendah, hal tersebut dapat menyebabkan cedera serius.
- ▶ **Gunakan peralatan pelindung diri. Selalu kenakan pelindung mata.** Penggunaan perlengkapan pelindung seperti penutup telinga, helm, sepatu anti licin, dan masker debu akan mengurangi cedera.
- ▶ **Hindari start yang tidak disengaja. Pastikan switch berada di posisi off sebelum perkakas listrik dihubungkan ke sumber daya listrik dan/atau baterai, diangkat, atau dibawa.** Membawa perkakas listrik dengan jari menempel pada tombol atau perkakas listrik dalam keadaan hidup dapat memicu kecelakaan.
- ▶ **Singkirkan kunci penyetel atau kunci pas sebelum menghidupkan perkakas listrik.** Perkakas atau kunci pas yang masih menempel pada komponen perkakas listrik yang berputar dapat menyebabkan cedera.
- ▶ **Jangan melampaui batas. Berdirilah secara mantap dan selalu jaga keseimbangan.** Hal ini akan memberikan kontrol yang lebih baik terhadap perkakas listrik pada situasi yang tak terduga.
- ▶ **Kenakan pakaian dengan wajar. Jangan mengenakan perhiasan atau pakaian yang longgar. Jauhkan rambut dan pakaian dari komponen yang bergerak.** Pakaian yang longgar, rambut panjang, atau perhiasan dapat tersangkut dalam komponen yang bergerak.
- ▶ **Jika disediakan perangkat untuk sambungan pengisapan debu dan alat pengumpulan, pastikan perangkat tersebut terhubung dan digunakan dengan benar.** Penggunaan alat pengumpulan dapat mengurangi bahaya yang disebabkan oleh debu.
- ▶ **Jangan berpuas diri dan mengabaikan prinsip keselamatan karena terbiasa mengoperasikan perkakas.** Tindakan yang kurang hati-hati dapat mengakibatkan cedera serius dalam waktu sepersekian detik.

Penggunaan dan pemeliharaan perkakas listrik

- ▶ **Jangan memaksakan perkakas listrik. Gunakan perkakas listrik yang sesuai untuk pekerjaan yang dilakukan.** Perkakas listrik yang sesuai akan bekerja dengan lebih baik dan aman sesuai tujuan penggunaan.
- ▶ **Jangan gunakan perkakas listrik dengan switch yang tidak dapat dioperasikan.** Perkakas listrik yang switchnya yang tidak berfungsi dapat menimbulkan bahaya dan harus diperbaiki.
- ▶ **Lepaskan steker dari sumber listrik dan/atau lepas baterai, jika dapat dilepaskan dari perkakas listrik sebelum menyetel, mengganti aksesoris, atau menyimpan perkakas listrik.** Tindakan preventif akan mengurangi risiko menghidupkan perkakas listrik secara tidak disengaja.
- ▶ **Jauhkan dan simpan perkakas listrik dari jangkauan anak-anak dan jangan biarkan orang-orang yang tidak mengetahui cara menggunakan perkakas listrik, mengoperasikan perkakas listrik.** Perkakas listrik dapat membahayakan jika digunakan oleh orang-orang yang tidak terlatih.
- ▶ **Lakukan pemeliharaan perkakas listrik dan aksesoris. Periksa komponen yang bergerak apabila tidak lurus atau terikat, kerusakan komponen, dan kondisi lain yang dapat mengganggu pengoperasian perkakas listrik. Apabila rusak, perbaiki perkakas listrik sebelum digunakan.** Kecelakaan sering terjadi karena perkakas listrik tidak dirawat dengan baik.
- ▶ **Jaga ketajaman dan kebersihan alat.** Alat pemotong dengan pisau pemotong yang tajam dan dirawat dengan baik tidak akan mudah tersangkut dan lebih mudah dikendalikan.
- ▶ **Gunakan perkakas listrik, aksesoris, dan komponen perkakas dll sesuai dengan petunjuk ini, dengan mempertimbangkan kondisi kerja dan pekerjaan yang akan dilakukan.** Penggunaan perkakas listrik untuk tujuan berbeda dari fungsinya dapat menyebabkan situasi yang berbahaya.
- ▶ **Jaga gagang dan permukaan genggam agar tetap kering, bersih, dan bebas dari minyak dan lemak.** Gagang dan permukaan genggam yang licin tidak menjamin keamanan kerja dan kontrol alat yang baik pada situasi yang tidak terduga.

Servis

- ▶ **Minta teknisi berkualifikasi untuk servis perkakas listrik dengan hanya menggunakan suku cadang yang identik.** Dengan demikian, hal ini akan memastikan keamanan perkakas listrik.

Petunjuk Keselamatan untuk gergaji sirkular

Prosedur pemotongan

- ▶ **⚠ BAHAYA: Jauhkan tangan dari area pemotongan dan bilah pisau. Jaga tangan yang lain agar tetap pada gagang tambahan atau housing mesin.** Jika kedua

tangan menggenggam gergaji, tangan Anda tidak akan terkena bilah pisau.

- ▶ **Jangan pegang bagian bawah benda kerja.** Pelindung tidak dapat melindungi tangan Anda dari bilah pisau di bawah benda kerja.
- ▶ **Sesuaikan kedalaman pemotongan dengan ketebalan benda kerja.** Kurangnya gerigi bilah pisau dapat terlihat dari bawah benda kerja.
- ▶ **Jangan pernah pegang benda kerja di tangan atau kaki saat memotong.** Jaga agar benda kerja tetap berada pada landasan yang stabil. Penting untuk menunjang pekerjaan dengan benar agar dapat mengurangi paparan ke badan, bilah pisau tersangkut, atau kehilangan kendali.
- ▶ **Saat menggunakan perkakas listrik, pegang perkakas listrik pada permukaan gagang isolator karena alat pemotong dapat saja bersentuhan dengan kabel yang tidak terlihat atau kabel alat pemotong itu sendiri.** Kontak dengan kabel yang dialiri listrik juga akan menyebabkan terbukanya bagian logam dari alat yang dialiri listrik sehingga berisiko mengakibatkan sengatan listrik pada operator.
- ▶ **Selalu gunakan rip fence atau pemandu tepian lurus saat melakukan pembelahan.** Hal ini akan meningkatkan keakuratan pemotongan dan mengurangi kemungkinan bilah pisau tersangkut.
- ▶ **Selalu gunakan bilah pisau dengan ukuran dan bentuk lubang poros yang sesuai (wajik versus bulat).** Bilah pisau yang tidak sesuai dengan perangkat keras yang terpasang pada gergaji akan bergerak tidak simetris dan mengakibatkan kehilangan kendali.
- ▶ **Jangan pernah menggunakan cincin pengencang bilah gergaji atau baut yang rusak atau tidak tepat.** Cincin pengencang bilah gergaji dan baut telah dirancang khusus untuk gergaji Anda guna memberikan performa yang optimal dan keselamatan saat pengoperasian.

Penyebab sentakan dan peringatan terkait

- sentakan merupakan reaksi yang terjadi secara tiba-tiba akibat bilah pisau gergaji terjepit, macet, atau tidak sejajar, sehingga menyebabkan gergaji yang tidak terkendali terangkat dan terlempar dari benda kerja ke arah operator;

- ketika bilah pisau terjepit atau macet dengan kencang pada celah potongan, bilah pisau akan berhenti bergerak dan mesin akan bereaksi dengan menggerakkan unit dengan cepat ke belakang, ke arah operator;

- jika bilah pisau terpelintir atau tidak sejajar pada potongan, gerigi di tepi belakang bilah pisau dapat menembus permukaan atas kayu sehingga menyebabkan bilah pisau melonjak keluar dari celah potongan dan terpental ke belakang, ke arah operator.

Sentakan merupakan akibat dari penggunaan yang salah pada gergaji dan/atau prosedur atau syarat pengoperasian atau syarat-syarat penggunaan yang tidak tepat, namun dapat dihindari dengan melakukan tindakan pencegahan yang tepat seperti yang diberikan di bawah ini.

- ▶ **Pertahankan genggamannya yang erat pada gergaji dengan menggunakan kedua tangan dan posisikan lengan Anda untuk melawan gaya sentakan.** Posisikan tubuh Anda ke salah satu sisi bilah pisau, tetapi tidak sejajar dengan bilah pisau. Sentakan dapat menyebabkan gergaji terpental ke belakang, tetapi gaya sentakan dapat dikendalikan oleh operator, jika operator melakukan tindakan pencegahan yang benar.
- ▶ **Ketika bilah pisau tersangkut atau pemotongan terhenti oleh suatu sebab, lepaskan pemicu dan tahan gergaji pada material tanpa bergerak hingga bilah pisau benar-benar berhenti.** Jangan pernah mencoba melepaskan gergaji dari benda kerja atau menarik gergaji ke belakang saat bilah pisau sedang bergerak atau sentakan dapat terjadi. Periksa dan lakukan reparasi untuk mengatasi penyebab bilah pisau tersangkut.
- ▶ **Saat melanjutkan penggergajian pada benda kerja, pusatkan bilah gergaji pada celah pemotongan sehingga gerigi gergaji tidak masuk ke material.** Jika bilah gergaji tersangkut, bilah dapat naik atau tersentak dari benda kerja ketika gergaji dinyalakan kembali.
- ▶ **Berikan penyangga pada panel yang besar untuk mengurangi risiko bilah terjepit dan tersentak.** Panel yang besar cenderung akan merosot akibat besarnya beban. Penyangga harus ditempatkan di bawah panel pada kedua sisi, di dekat garis potongan dan di dekat tepi panel.
- ▶ **Jangan gunakan bilah pisau yang tumpul atau rusak.** Set bilah pisau yang tidak tajam atau tidak tepat akan menghasilkan celah potongan yang sempit dan menyebabkan gesekan yang berlebihan, bilah gergaji menjadi tersangkut, dan menyebabkan terjadinya sentakan.
- ▶ **Kedalaman bilah pisau dan tuas pengunci penyetel kemiringan harus kencang dan aman sebelum lanjut memotong.** Jika penyetelan bilah pisau bergeser ketika memotong, hal ini dapat menyebabkan bilah pisau tersangkut dan tersentak.
- ▶ **Gunakan dengan sangat hati-hati saat menggergaji ke dinding atau area lain yang sulit dilihat.** Bilah pisau yang menonjol dapat memotong objek yang dapat menyebabkan sentakan.

Fungsi pelindung bawah

- ▶ **Pastikan pelindung bawah dapat menutup dengan benar setiap sebelum digunakan.** Jangan operasikan gergaji jika pelindung bawah tidak dapat bergerak bebas dan menutup secara tiba-tiba. Jangan jepit atau ikat pelindung bawah pada posisi terbuka. Jika gergaji secara tidak sengaja jatuh, pelindung dapat menjadi bengkok. Angkat pelindung bawah dengan gagang penarik dan pastikan pelindung dapat bergerak bebas serta tidak bersentuhan dengan bilah pisau atau bagian lainnya pada semua sudut dan kedalaman pemotongan.
- ▶ **Periksa pengoperasian pegas pelindung bawah.** Jika pelindung dan pegas tidak beroperasi dengan benar, komponen tersebut harus diservis terlebih dahulu

sebelum digunakan. Pelindung bawah mungkin akan beroperasi dengan lambat akibat adanya komponen yang rusak, endapan cairan yang lengket, atau tumpukan kotoran.

- ▶ **Pelindung bawah dapat ditarik secara manual hanya untuk pemotongan khusus seperti "pemotongan ke bawah" (plunge cut) dan "pemotongan gabungan" (compound cut). Angkat pelindung bawah pada gagang penarik dan segera setelah bilah pisau masuk ke material, pelindung bawah akan terlepas.** Untuk semua penggergajian lainnya, pelindung bawah beroperasi secara otomatis.
- ▶ **Selalu pastikan pelindung bawah menutupi bilah pisau sebelum meletakkan gergaji pada bangku atau lantai.** Bilah pisau yang tidak terlindungi dan berputar akan menyebabkan gergaji bergerak ke belakang, dan memotong apa saja yang ada di jalurnya. Perhatikan waktu yang dibutuhkan bilah pisau untuk berhenti setelah switch dipindah.

Petunjuk Keselamatan tambahan

- ▶ **Jangan memegang chip ejector.** Anda dapat mengalami cedera akibat komponen yang berputar.
- ▶ **Jangan mengoperasikan alat di atas kepala.** Mengoperasikan alat dengan cara demikian membuat perkakas tidak dapat dikendalikan dengan stabil.
- ▶ **Gunakanlah alat detektor logam yang cocok untuk mencari kabel dan pipa yang tidak terlihat atau hubungi perusahaan pengadaan setempat.** Sentuhan dengan kabel-kabel listrik dapat mengakibatkan api dan kontak listrik. Pipa gas yang dirusak dapat mengakibatkan ledakan. Pipa air yang dirusak mengakibatkan kerusakan barang-barang atau dapat mengakibatkan kontak listrik.
- ▶ **Pegang erat perkakas listrik dengan kedua tangan selama mengoperasikannya dan pastikan Anda berdiri di posisi aman.** Gunakan perkakas listrik dengan kedua tangan secara hati-hati.
- ▶ **Jangan mengoperasikan perkakas listrik secara stasioner.** Alat ini tidak dirancang untuk pengoperasian dengan meja gergaji.
- ▶ **Selama melakukan "plunge cut" yang tidak diarahkan ke posisi ortogonal, pastikan pelat pemandu gergaji tidak bergeser.** Mata gergaji yang bergeser ke samping dapat menjadi terbelit dan menyebabkan terjadinya sentakan.
- ▶ **Gunakan alat kerja dengan aman.** Benda yang ditahan dalam alat pemegang atau bais lebih aman daripada benda yang dipegang dengan tangan.
- ▶ **Sebelum meletakkan perkakas listrik, tunggulah hingga perkakas berhenti berputar.** Alat kerja dapat tersangkut dan menyebabkan perkakas listrik tidak dapat dikendalikan.
- ▶ **Jangan menggunakan mata gergaji berbahan baja HSS (High-speed Steel).** Mata gergaji dari bahan ini mudah patah.
- ▶ **Jangan menggunakan logam besi.** Serbuk yang berkilau dapat menyulut api pada ekstraksi debu.

- ▶ **Pakailah masker debu.**

Spesifikasi produk dan performa



Bacalah semua petunjuk keselamatan dan petunjuk penggunaan. Kesalahan dalam menjalankan petunjuk keselamatan dan petunjuk penggunaan dapat mengakibatkan kontak listrik, kebakaran, dan/atau luka-luka

yang berat.

Perhatikan ilustrasi yang terdapat pada sisi sampul panduan pengoperasian.

Tujuan penggunaan

Perkakas listrik ini cocok untuk mengerjakan pemotongan memanjang dan melintang dengan garis pemotongan tegak lurus dan serong pada kayu serta dikerjakan di atas permukaan yang stabil.

Ilustrasi komponen

Nomor-nomor dari bagian-bagian perkakas pada gambar sesuai dengan gambar perkakas listrik pada halaman bergambar.

- (1) Switch on/off
- (2) Tombol pengunci switch on/off
- (3) Gagang tambahan (permukaan genggam berisolator)^{A)}
- (4) Tombol pengunci poros
- (5) Skala sudut potong
- (6) Baut kupu-kupu untuk penyetelan awal sudut potong
- (7) Baut kupu-kupu untuk mistar sejajar
- (8) Tanda pemotongan 45°
- (9) Tanda pemotongan 0°
- (10) Mistar sejajar
- (11) Kap pelindung yang dapat bergerak
- (12) Pelat dasar
- (13) Tuas untuk kap pelindung yang dapat bergerak
- (14) Ejektor serbuk gergaji
- (15) Kap pelindung gergaji
- (16) Gagang (permukaan genggam berisolator)
- (17) Kunci L
- (18) Sekrup penjepit dengan cakram
- (19) Flensa penjepit
- (20) Mata gergaji untuk mesin gergaji bundar^{A)}
- (21) Poros gergaji dengan flensa dudukan
- (22) Tuas penjepit untuk pemilihan awal kedalaman pemotongan
- (23) Skala kedalaman pemotongan

(24) Sepasang sekrup penjepit^{B)}

- A) **Aksesori yang ada pada gambar atau yang dijelaskan tidak termasuk dalam lingkup pengiriman standar. Semua aksesori yang ada dapat Anda lihat dalam program aksesori kami.**
- B) **Standar (tidak termasuk dalam lingkup pengiriman)**

Data teknis

Mesin gergaji tangan bundar		GKS 140
Nomor seri		3 601 FB3 0..
Input daya nominal	W	1400
Kecepatan idle	min ⁻¹	6200
Kedalaman pemotongan maksimal dengan diameter mata gergaji 184 mm		
– dengan sudut potong 0°	mm	64
– dengan sudut potong 45°	mm	45
Penguncian poros		●
Dimensi pelat dasar	mm	290 x 150
Diameter maks./min. mata gergaji	mm	184
Ketebalan maks. bilah baja	mm	2,0
Lubang dudukan	mm	20
Berat sesuai dengan EPTA-Procedure 01:2014	kg	3,7
Klasifikasi keamanan		/ II

Data-data berlaku untuk tegangan nominal [U] 230 V. Pada tegangan yang lebih rendah dan pada model khusus mancanegara data-data ini bisa berlainan.

Saat perkakas listrik dihidupkan, penurunan tegangan dalam jaringan listrik untuk waktu yang pendek dapat terjadi. Gangguan pada perangkat lainnya dapat terjadi saat kondisi jaringan tidak menguntungkan. Gangguan tidak akan terjadi apabila impedansi jaringan berada di bawah **1,539** Ohm.

Informasi tentang bunyi/getaran

Nilai emisi kebisingan ditentukan berdasarkan **EN 62841-2-5**.

Tingkat kebisingan kategori A pada perkakas listrik biasanya adalah: tingkat tekanan suara **96** dB(A); tingkat daya akustik **107** dB(A). Ketidakpastian K = **3** dB.

Gunakan pelindung telinga!

Nilai total getaran a_n (jumlah vektor tiga arah) dan ketidakpastian K ditentukan berdasarkan **EN 62841-2-5**:
Menggaris kayu: $a_n < 2,5$ m/s², K = **1,5** m/s²

Tingkat getaran yang terdapat dalam petunjuk ini dan nilai emisi kebisingan telah diukur sesuai dengan standardisasi metode pengukuran dan dapat digunakan untuk menyamakan perkakas listrik satu sama lain. Nilai tersebut juga sesuai untuk perkiraan sementara emisi getaran dan kebisingan.

Tingkat getaran yang ditetapkan dan nilai emisi kebisingan menunjukkan penggunaan utama perkakas listrik. Jika perkakas listrik digunakan untuk hal lain dan dipasang dengan alat sisipan yang berbeda atau dilakukan perawatan

yang tidak memadai, tingkat getaran dan nilai emisi kebisingan dapat berbeda. Hal ini dapat meningkatkan emisi getaran dan kebisingan secara signifikan pada saat alat dioperasikan.

Untuk perkiraan emisi getaran dan kebisingan yang tepat, waktu juga harus dipertimbangkan saat alat dinyalakan atau digunakan, tetapi tidak benar-benar saat dioperasikan. Hal ini dapat mengurangi emisi getaran dan kebisingan pada saat alat dioperasikan.

Perhatikan petunjuk keamanan untuk melindungi pengguna dari efek getaran seperti misalnya: merawat perkakas listrik dan alat sisipan, menjaga tangan tetap hangat, mengatur alur kerja.

Cara memasang

- ▶ **Hanya selalu gunakan mata gergaji dengan kecepatan putaran maksimal yang diizinkan yang lebih tinggi daripada kecepatan putaran tanpa beban dari perkakas listrik.**

Memasang/mengganti mata gergaji untuk mesin gergaji bundar

- ▶ **Sebelum mulai dengan pekerjaan pada perkakas listrik, tariklah steker dari stopkontak.**
- ▶ **Pakailah sarung tangan pelindung pada waktu memasang mata gergaji.** Terdapat risiko cedera jika menyentuh mata gergaji.
- ▶ **Gunakanlah hanya mata gergaji yang sesuai dengan data yang tercantum di panduan pengoperasian dan pada perkakas listrik serta telah diuji menurut peraturan EN 847-1, dan sesuai dengan yang digambarkan.**
- ▶ **Janganlah sekali-kali menggunakan mata gerinda sebagai alat kerja mesin gergaji ini.**

Melepas mata gergaji (lihat gambar A)

Untuk mengganti alat kerja, sebaiknya perkakas listrik diletakkan pada bagian depan housing mesin.

- Tekan dan tahan tombol pengunci poros **(4)**.
- ▶ **Tekan tombol penahan poros kerja (4) hanya pada poros gergaji stasioner.** Jika tidak, perkakas listrik dapat rusak.
- Putar keluar sekrup penjepit **(18)** dengan kunci L **(17)** ke arah **⊖**.
- Ayunkan kap pelindung yang dapat bergerak **(11)** dan pegang dengan kuat.
- Lepas flensa penjepit **(19)** dan mata gergaji **(20)** dari poros gergaji dengan flensa dudukan **(21)**.

Memilih mata gergaji

Temukan ikhtisar mengenai mata gergaji yang disarankan di akhir petunjuk ini.

Memasang mata gergaji (lihat gambar A)

Untuk mengganti alat kerja, sebaiknya perkakas listrik diletakkan pada bagian depan housing mesin.

- Bersihkan mata gergaji **(20)** dan komponen penjepit yang dipasang.
- Ayunkan kap pelindung yang dapat bergerak **(11)** dan pegang dengan kuat.
- Pasang mata gergaji **(20)** pada poros gergaji dengan flensa dudukan **(21)**. Arah pemotongan gerigi (arah tanda panah pada mata gergaji) dan tanda arah putaran pada kap pelindung **(15)** harus sesuai.
- Pasang flensa penjepit **(19)** dan kencangkan baut pengencang **(18)** ke arah \odot . Perhatikan posisi pemasangan yang benar dari poros gergaji dengan flensa dudukan **(21)** dan flensa penjepit **(19)**.
- Tekan dan tahan tombol pengunci poros **(4)**.
- Kencangkan sekrup pengencang **(18)** dengan kunci L **(17)** ke arah \odot . Torsi pengencangan sebaiknya sebesar 6–9 Nm yang sesuai dengan putaran kekuatan tangan sebesar $\frac{1}{4}$ putaran.

Pengisap debu/serbuk

Debu dari bahan-bahan seperti cat yang mengandung timbal, beberapa jenis kayu, bahan mineral dan logam dapat berbahaya bagi kesehatan. Menyentuh atau menghirup debu tersebut dapat mengakibatkan reaksi alergi dan/atau penyakit saluran pernapasan bagi pengguna atau orang yang berada di dekatnya.

Beberapa debu tertentu seperti misalnya debu kayu pohon ek atau pohon fagus silvatica dianggap dapat mengakibatkan penyakit kanker, terutama dalam campuran dengan bahan-bahan tambahan untuk pengolahan kayu (kromat, obat pengawet kayu). Bahan-bahan yang mengandung asbestos hanya boleh dikerjakan oleh orang-orang yang ahli.

- Gunakanlah hanya pengisap debu yang cocok untuk mengisap bahan yang dikerjakan.
- Pastikan terdapat ventilasi udara yang baik di tempat kerja.
- Dianjurkan untuk memakai masker anti debu dengan filter kelas P2.

Taatilah peraturan-peraturan untuk bahan-bahan yang dikerjakan yang berlaku di negara Anda.

- ▶ **Hindari debu yang banyak terkumpul di tempat kerja.** Debu dapat tersulut dengan mudah.

Penggunaan

Mode pengoperasian

- ▶ **Sebelum mulai dengan pekerjaan pada perkakas listrik, tariklah steker dari stopkontak.**

Mengatur kedalaman pemotongan (lihat gambar B)

- ▶ **Sesuaikan kedalaman pemotongan dengan ketebalan benda kerja.** Mata gergaji hanya boleh melampaui bagian bawah dari benda kerja maksimal setinggi satu gigi.

Lepaskan tuas pengencang **(22)**. Untuk kedalaman pemotongan yang lebih kecil, tarik gergaji dari pelat dasar **(12)**, untuk kedalaman pemotongan yang lebih besar, tekan gergaji ke arah pelat dasar **(12)**. Setel ukuran yang

diinginkan pada skala kedalaman pemotongan. Kencangkan kembali tuas pengencang **(22)**.

Jika setelah melepaskan tuas pengencang **(22)** Anda tidak dapat menyesuaikan kedalaman pemotongan sepenuhnya, tarik tuas pengencang **(22)** dari gergaji dan ayunkan ke bawah. Lepaskan kembali tuas pengencang **(22)**. Ulangi proses ini hingga kedalaman pemotongan yang diinginkan dapat disetel.

Jika setelah mengencangkan tuas pengencang **(22)** Anda tidak dapat mengatur kedalaman pemotongan dengan baik, tarik tuas pengencang **(22)** dari gergaji dan ayunkan ke atas. Lepaskan kembali tuas pengencang **(22)**. Ulangi proses ini hingga kedalaman pemotongan dapat diatur

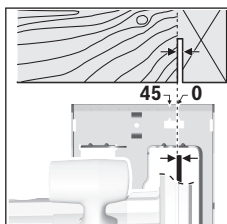
Mengatur sudut potong

Perkakas listrik sebaiknya diletakkan pada bagian depan dari kap pelindung **(15)**.

Lepaskan baut kupu-kupu **(6)**. Ollangkan mesin gergaji. Setel ukuran yang diinginkan pada skala **(5)**. Kencangkan kembali baut kupu-kupu **(6)**.

Catatan: Kedalaman pemotongan lebih kecil dari nilai yang ditampilkan pada skala kedalaman pemotongan **(23)**.

Tanda pemotongan



Tanda pemotongan 0° **(9)** menunjukkan posisi mata gergaji pada pemotongan persegi. Tanda pemotongan 45° **(8)** menunjukkan posisi pada mata gergaji pemotongan 45°.

Untuk melakukan pemotongan yang tepat, dekatkan mesin gergaji

bundar pada benda kerja seperti yang terlihat pada gambar. Sebaiknya lakukan uji coba pemotongan terlebih dulu.

Cara penggunaan

- ▶ **Perhatikan tegangan listrik! Tegangan jaringan listrik harus sesuai dengan tegangan listrik yang tercantum pada label tipe perkakas listrik. Perkakas listrik dengan daya sebesar 230 V seperti yang diindikasikan pada label dapat juga dioperasikan pada daya 220 V.**

Menghidupkan/mematikan perkakas listrik

- ▶ **Pastikan bahwa Anda dapat mengoperasikan tombol untuk menghidupkan dan mematikan tanpa perlu melepaskan handle.**

Untuk **penggunaan** perkakas listrik pertama kali, tekan switch pengaman **(2)** dan tekan serta tahan **kemudian** tombol on/off **(1)**.

Untuk **menonaktifkan** perkakas listrik, lepaskan tombol on/off **(1)**.

Catatan: Demi alasan keselamatan, tombol on/off **(1)** tidak bisa dikunci, melainkan selama penggunaan perkakas, tombol harus selalu ditekan.

Petunjuk pengoperasian

► Sebelum mulai dengan pekerjaan pada perkakas listrik, tariklah steker dari stopkontak.

Lindungi mata gergaji dari benturan dan tumbukan. Gerakkan perkakas listrik secara merata dan dengan dorongan ringan ke arah pemotongan. Dorongan yang terlalu kuat akan sangat mengurangi masa pakai alat kerja dan dapat merusak perkakas listrik.

Daya dan kualitas pemotongan tergantung pada keadaan dan bentuk gigi dari mata gergaji. Karena itu, hanya gunakan mata gergaji yang tajam dan sesuai untuk bahan yang akan dikerjakan.

Menggergaji kayu

Pemilihan mata gergaji yang sesuai didasarkan pada jenis kayu, kualitas kayu dan jenis pemotongan, apakah memanjang atau melintang.

Pada pemotongan memanjang pada kayu cemara terdapat serpihan kayu yang berbentuk spiral dan panjang.

Debu kayu beech dan kayu oak sangat berbahaya bagi kesehatan, karena itu, hanya operasikan perkakas dengan pengisap debu.

Menggergaji dengan mistar sejajar (lihat gambar C)

Mistar sejajar (10) memungkinkan pemotongan yang tepat pada sepanjang tepi benda kerja atau bagian dari potongan yang sama.

Lepaskan baut kupu-kupu (7) dan geser skala pada mistar sejajar (10) melalui pemandu pada pelat dasar (12). Atur lebar pemotongan yang diinginkan sebagai nilai skala pada tanda pemotongan yang sesuai (9) atau (8), lihat pada bab "Tanda pemotongan". Kencangkan kembali baut kupu-kupu (7).

Menggergaji dengan alat penghenti (lihat gambar D)

Untuk memotong benda-benda yang besar atau memotong tepian yang lurus, Anda bisa mengencangkan sebuah papan atau lis sebagai penghenti benda kerja dan memandu gergaji bundar dengan pelat dasar pada alat penghenti.

Perawatan dan servis

Perawatan dan pembersihan

- Sebelum mulai dengan pekerjaan pada perkakas listrik, tariklah steker dari stopkontak.
- Perkakas listrik dan lubang ventilasi harus selalu dibersihkan agar perkakas dapat digunakan dengan baik dan aman.

Kap pelindung harus selalu dapat bergerak secara bebas dan harus dapat menutup sendiri. Karena itu, jaga kebersihan area di sekitar kap pelindung. Bersihkan debu dan serpihan menggunakan sikat.

Mata gergaji yang tidak dilapisi bisa dilindungi dari korosi dengan mengolesinya dengan minyak yang tidak mengandung asam. Sebelum menggunakan mesin gergaji, bersihkan mata gergaji dari minyak karena kayu bisa tercemar karenanya.

Sisa-sisa damar dan lem pada mata gergaji akan memengaruhi hasil pemotongan. Karena itu, bersihkan mata gergaji setelah penggunaan.

Jika kabel listrik harus diganti, pekerjaan ini harus dilakukan oleh **Bosch** atau Service Center untuk perkakas listrik **Bosch** resmi agar keselamatan kerja selalu terjamin.

Layanan pelanggan dan konsultasi penggunaan

Layanan pelanggan Bosch menjawab semua pertanyaan Anda tentang reparasi dan perawatan serta tentang suku cadang produk ini. Gambaran teknis (exploded view) dan informasi mengenai suku cadang dapat ditemukan di:

www.bosch-pt.com

Tim konsultasi penggunaan Bosch akan membantu Anda menjawab pertanyaan seputar produk kami beserta aksesorinya.

Jika Anda hendak menanyakan sesuatu atau memesan suku cadang, selalu sebutkan nomor model yang terdiri dari 10 angka dan tercantum pada label tipe produk.

Indonesia

PT Robert Bosch
Palma Tower 10th Floor
Jalan RA Kartini II-S Kaveling 6
Pondok Pinang, Kebayoran Lama
Jakarta Selatan 12310
Tel.: (021) 3005 5800
Fax: (021) 3005 5801
E-Mail: boschpowertools@id.bosch.com
www.bosch-pt.co.id

Cara membuang

Perkakas listrik, aksesoris, dan kemasan sebaiknya didaur ulang secara ramah lingkungan.



Jangan membuang perkakas listrik ke dalam sampah rumah tangga!

Hanya untuk negara Uni Eropa:

Menurut European Directive 2012/19/EU tentang limbah peralatan listrik dan elektronik dan kaitannya dengan hukum nasional, listrik yang tidak lagi dapat digunakan harus dikumpulkan secara terpisah dan didaur ulang dengan cara yang ramah lingkungan.

Tiếng Việt

Hướng dẫn an toàn

Hướng dẫn an toàn chung cho dụng cụ điện

⚠ CẢNH BÁO Hãy đọc toàn bộ các cảnh báo an toàn, hướng dẫn, hình ảnh và thông số kỹ thuật được cung cấp

cho dụng cụ điện cầm tay này. Không tuân thủ mọi hướng dẫn được liệt kê dưới đây có thể bị điện giật, gây cháy và /hay bị thương tật nghiêm trọng.

Hãy giữ tất cả tài liệu về cảnh báo và hướng dẫn để tham khảo về sau.

Thuật ngữ "dụng cụ điện cầm tay" trong phần cảnh báo là để cập đến sự sử dụng dụng cụ điện cầm tay của bạn, loại sử dụng điện nguồn (có dây cắm điện) hay vận hành bằng pin (không dây cắm điện).

Khu vực làm việc an toàn

- ▶ **Giữ nơi làm việc sạch và đủ ánh sáng.** Nơi làm việc bừa bộn và tối tăm dễ gây ra tai nạn.
- ▶ **Không vận hành dụng cụ điện cầm tay trong môi trường dễ gây nổ, chẳng hạn như nơi có chất lỏng dễ cháy, khí đốt hay rác.** Dụng cụ điện cầm tay tạo ra các tia lửa nên có thể làm rác bén cháy hay bốc khói.
- ▶ **Không để trẻ em hay người đến xem đứng gần khi vận hành dụng cụ điện cầm tay.** Sự phân tâm có thể gây ra sự mất điều khiển.

An toàn về điện

- ▶ **Phích cắm của dụng cụ điện cầm tay phải thích hợp với ổ cắm.** Không bao giờ được cải biến lại phích cắm dưới mọi hình thức. Không được sử dụng phích tiếp hợp nối tiếp đất (dây mát). Phích cắm nguyên bản và ổ cắm đúng loại sẽ làm giảm nguy cơ bị điện giật.
- ▶ **Tránh không để thân thể tiếp xúc với đất hay các vật có bề mặt tiếp đất như đường ống, lò sưởi, hàng rào và tủ lạnh.** Có nhiều nguy cơ bị điện giật hơn nếu cơ thể bạn tiếp hay nối đất.
- ▶ **Không được để dụng cụ điện cầm tay ngoài mưa hay ở tình trạng ẩm ướt.** Nước vào máy sẽ làm tăng nguy cơ bị điện giật.
- ▶ **Không được lạm dụng dây dẫn điện.** Không bao giờ được nắm dây dẫn để xách, kéo hay rút phích cắm dụng cụ điện cầm tay. Không để dây gần nơi có nhiệt độ cao, dầu nhớt, vật nhọn bén và bộ phận chuyển động. Làm hỏng hay cuộn rối dây dẫn làm tăng nguy cơ bị điện giật.
- ▶ **Khi sử dụng dụng cụ điện cầm tay ngoài trời, dùng dây nối thích hợp cho việc sử dụng ngoài trời.** Sử dụng dây nối thích hợp cho việc sử dụng ngoài trời làm giảm nguy cơ bị điện giật.
- ▶ **Nếu việc sử dụng dụng cụ điện cầm tay ở nơi ẩm ướt là không thể tránh được, dùng thiết bị ngắt mạch tự động (RCD) bảo vệ nguồn.** Sử dụng thiết bị ngắt mạch tự động RCD làm giảm nguy cơ bị điện giật.

An toàn cá nhân

- ▶ **Hãy tỉnh táo, biết rõ mình đang làm gì và hãy sử dụng ý thức khi vận hành dụng cụ điện cầm tay.** Không sử dụng dụng cụ điện cầm tay khi đang mệt mỏi hay đang bị tác động do chất gây nghiện, rượu hay được phẩm gây ra.

Một thoáng mắt tập trung khi đang vận hành dụng cụ điện cầm tay có thể gây thương tích nghiêm trọng cho bản thân.

- ▶ **Sử dụng trang bị bảo hộ cá nhân.** Luôn luôn đeo kính bảo vệ mắt. Trang bị bảo hộ như khẩu trang, giày chống trượt, nón bảo hộ, hay dụng cụ bảo vệ tai khi được sử dụng đúng nơi đúng chỗ sẽ làm giảm nguy cơ thương tật cho bản thân.
 - ▶ **Phòng tránh máy khởi động bất ngờ.** Bảo đảm công tắc máy ở vị trí tắt trước khi cắm vào nguồn điện và/hay lắp pin vào, khi nhấn máy lên hay khi mang xách máy. Ngáng ngón tay vào công tắc máy dễ xách hay kích hoạt dụng cụ điện cầm tay khi công tắc ở vị trí mở dễ dẫn đến tai nạn.
 - ▶ **Lấy mọi chìa hay khóa điều chỉnh ra trước khi mở điện dụng cụ điện cầm tay.** Khóa hay chìa còn gắn dính vào bộ phận quay của dụng cụ điện cầm tay có thể gây thương tích cho bản thân.
 - ▶ **Không rướn người.** Luôn luôn giữ tư thế đứng thích hợp và thẳng bằng. Điều này tạo cho việc điều khiển dụng cụ điện cầm tay tốt hơn trong mọi tình huống bất ngờ.
 - ▶ **Trang phục thích hợp.** Không mặc quần áo rộng lung tung hay mang trang sức. Giữ tóc và quần áo xa khỏi các bộ phận chuyển động. Quần áo rộng lung tung, đồ trang sức hay tóc dài có thể bị cuốn vào các bộ phận chuyển động.
 - ▶ **Nếu có các thiết bị đi kèm để nối máy hút bụi và các phụ kiện khác, bảo đảm các thiết bị này được nối và sử dụng tốt.** Việc sử dụng các thiết bị gom hút bụi có thể làm giảm các độc hại liên quan đến bụi gây ra.
 - ▶ **Không để thói quen do sử dụng thường xuyên dụng cụ khiến bạn trở nên chủ quan và bỏ qua các quy định an toàn dụng cụ.** Một hành vi bất cẩn có thể gây ra thương tích nghiêm trọng chỉ trong tích tắc.
- Sử dụng và bảo dưỡng dụng cụ điện cầm tay**
- ▶ **Không được ép máy.** Sử dụng dụng cụ điện cầm tay đúng loại theo đúng ứng dụng của bạn. Dụng cụ điện cầm tay đúng chức năng sẽ làm việc tốt và an toàn hơn theo đúng tiến độ mà máy được thiết kế.
 - ▶ **Không sử dụng dụng cụ điện cầm tay nếu như công tắc không tắt và mở được.** Bất kỳ dụng cụ điện cầm tay nào mà không thể điều khiển được bằng công tắc là nguy hiểm và phải được sửa chữa.
 - ▶ **Rút phích cắm ra khỏi nguồn điện và/hay pin ra khỏi dụng cụ điện cầm tay nếu có thể tháo được, trước khi tiến hành bất kỳ điều chỉnh nào, thay phụ kiện, hay cắt dụng cụ điện cầm tay.** Các biện pháp ngăn ngừa như vậy làm giảm

nguy cơ dụng cụ điện cầm tay khởi động bất ngờ.

- ▶ **Cất giữ dụng cụ điện cầm tay không dùng tới nơi trẻ em không lấy được và không cho người chưa từng biết dụng cụ điện cầm tay hay các hướng dẫn này sử dụng dụng cụ điện cầm tay.** Dụng cụ điện cầm tay nguy hiểm khi ở trong tay người chưa được chỉ cách sử dụng.
- ▶ **Bảo quản dụng cụ điện cầm tay và các phụ kiện.** Kiểm tra xem các bộ phận chuyển động có bị sai lệch hay kẹt, các bộ phận bị rạn nứt và các tình trạng khác có thể ảnh hưởng đến sự vận hành của máy. Nếu bị hư hỏng, phải sửa chữa máy trước khi sử dụng. Nhiều tai nạn xảy ra do bảo quản dụng cụ điện cầm tay tồi.
- ▶ **Giữ các dụng cụ cắt bén và sạch.** Bảo quản đúng cách các dụng cụ cắt có cạnh cắt bén làm giảm khả năng bị kẹt và dễ điều khiển hơn.
- ▶ **Sử dụng dụng cụ điện cầm tay, phụ kiện, đầu cài v. v., đúng theo các chỉ dẫn này, hãy lưu ý đến điều kiện làm việc và công việc phải thực hiện.** Sự sử dụng dụng cụ điện cầm tay khác với mục đích thiết kế có thể tạo nên tình huống nguy hiểm.
- ▶ **Giữ tay cầm và bề mặt nắm luôn khô ráo, sạch sẽ và không dính dầu mỡ.** Tay cầm và bề mặt nắm trơn trượt không đem lại thao tác an toàn và kiểm soát dụng cụ trong các tình huống bất ngờ.

Bảo dưỡng

- ▶ **Đưa dụng cụ điện cầm tay của bạn đến thợ chuyên môn để bảo dưỡng, chỉ sử dụng phụ tùng đúng chủng loại để thay.** Điều này sẽ đảm bảo sự an toàn của máy được giữ nguyên.

Các hướng dẫn an toàn cho cửa tròn

Các quy trình cắt

- ▶ **⚠ NGUY HIỂM: Không được cho tay vào khu vực cắt và lưỡi cắt. Đặt một tay lên tay nắm phụ, hoặc vỏ động cơ.** Nếu dùng cả hai tay để giữ máy cửa, lưỡi cửa sẽ không thể làm đứt tay.
- ▶ **Không được chạm tay vào phía dưới phôi gia công.** Nắp bảo vệ không thể bảo vệ bạn khỏi lưỡi cửa phía dưới phôi gia công.
- ▶ **Điều chỉnh độ sâu cắt theo độ dày của phôi gia công.** Phải nhìn thấy ít nhất một răng cửa của lưỡi cửa phía dưới phôi gia công.
- ▶ **Trong khi cắt, tuyệt đối không dùng tay nắm phôi được cắt hoặc đặt phôi ngang chân của bạn. Cố định phôi gia công vào sàn thao tác cố định.** Việc cố định phôi để giảm thiểu diện tích tiếp xúc với cơ thể, giảm thiểu làm kẹt lưỡi cửa hoặc mất kiểm soát là rất quan trọng.

- ▶ **Cầm dụng cụ điện tại các bề mặt cầm nắm cách điện, khi thực hiện một thao tác tại vị trí mà dụng cụ cắt có thể tiếp xúc với dây điện ngầm hoặc dây điện của thiết bị.** Việc tiếp xúc "trực tiếp" với dây có điện cũng có thể làm cho các phần kim loại hở của dụng cụ điện cầm tay có điện và có thể gây ra điện giật cho người vận hành.
- ▶ **Khi xê dọc, luôn sử dụng lá chắn dọc thứ hoặc thanh dẫn hướng cạnh thẳng.** Điều này cải thiện độ chính xác của đường cắt và giảm sự bó lưỡi cửa.
- ▶ **Luôn sử dụng lưỡi cửa đúng kích cỡ và hình dáng (lưỡi kim cương khác với lưỡi tròn) của lỗ tâm.** Các lưỡi không khớp với các phụ kiện cứng ghép nối của máy cửa sẽ làm lệch tâm và có thể làm mất kiểm soát.
- ▶ **Tuyệt đối không sử dụng vòng đệm hoặc chốt lưỡi cửa bị hỏng hoặc không đúng.** Vòng đệm và chốt lưỡi cửa được thiết kế đặc biệt cho máy cửa của bạn, để mang lại hiệu suất và an toàn hoạt động tối ưu.

Nguyên nhân gây ra lực phản hồi và các cảnh báo liên quan

- Lực phản hồi là một lực tác động đột ngột lên lưỡi cửa bị bó, kẹt hoặc bị lệch tâm làm cho không kiểm soát được lưỡi cửa khi nâng và đẩy phôi về phía người vận hành;
 - khi lưỡi cửa bị bó hoặc kẹt chặt khi đóng rãnh cửa, lưỡi cửa sẽ dừng lại và quán tính của động cơ làm cho thiết bị chạy nhanh hơn hướng về phía người vận hành;
 - nếu lưỡi cửa bị xoắn hoặc lệch tâm trong đường cửa, răng cửa ở cạnh sau của lưỡi cửa có thể cắt sâu vào bề mặt phía trên của tấm gỗ và làm cho lưỡi cửa chệch khỏi rãnh cửa và nảy ngược trở lại phía người vận hành.
- Lực phản hồi là do việc sử dụng sai và/hoặc quy trình hoặc điều kiện vận hành sai máy cửa và có thể phòng tránh bằng cách áp dụng các biện pháp phòng ngừa phù hợp được nêu dưới đây.

- ▶ **Giữ chặt tay nắm trên máy cửa bằng cả hai tay và giữ chặt tay của bạn để chịu được các lực phản hồi. Giữ cơ thể của bạn về một trong hai phía của lưỡi cửa, nhưng không được thẳng hàng với lưỡi cửa.** Lực phản hồi có thể làm cho máy cửa bật ngược trở lại, tuy nhiên người vận hành có thể kiểm soát được các lực phản hồi nếu áp dụng các biện pháp phòng ngừa phù hợp.
- ▶ **Khi lưỡi cửa bị kẹt hoặc khi dừng cửa vì bất kỳ lý do nào đó, hãy nhả công tắc bấm của máy cửa và giữ cố định máy cửa trong vật liệu tới khi lưỡi cửa đã dừng quay hẳn. Tuyệt đối không cố gắng lấy máy cửa ra khỏi phôi hoặc kéo ngược máy cửa trong khi lưỡi cửa vẫn đang quay nếu không lực phản hồi có**

thể xảy ra. Kiểm tra và có biện pháp khắc phục để loại bỏ nguyên nhân kẹt lưới cửa.

- ▶ **Khí khởi động lại máy cửa đang ở trong phối gia công, chính tâm lưới cửa vào đúng rãnh cửa sao cho răng cửa không bị mắc vào vật liệu.** Nếu lưới cửa bị kẹt, nó có thể trật rãnh cửa hoặc sinh ra lực phản hồi từ phối khi khởi động lại máy cửa.
- ▶ **Sử dụng các panô lớn để giảm thiểu rủi ro bị kẹt lưới cửa và lực phản hồi.** Các panô lớn thường võng xuống dưới trọng lượng riêng của chúng. Cần phải đặt các tấm đỡ phía dưới panô ở cả hai phía, gần đường cửa và gần cạnh của panô.
- ▶ **Không sử dụng lưới cửa hỏng hoặc cũn.** Lưới cửa không sắc hoặc không phù hợp có thể tạo ra rãnh cửa hẹp gây ra lực ma sát quá mức, bó lưới cửa và lực phản hồi.
- ▶ **Độ sâu của lưới cửa và các tay siết điều chỉnh phải chặt và chắc chắn trước khi tiến hành cửa.** Nếu lưới cửa dịch chuyển trong khi cửa, nó có thể làm kẹt lưới cửa và gây ra lực phản hồi.
- ▶ **Sử dụng thêm biện pháp an toàn khi cắt rãnh vào các vách hiện có hoặc các khu vực không nhìn thấy khác.** Lưới cửa nhô ra có thể cắt các vật thể và có thể gây ra lực phản hồi.

Chức năng nắp bảo vệ phía dưới

- ▶ **Kiểm tra nắp bảo vệ phía dưới đã đóng kín hay chưa trước mỗi lần sử dụng.** Không được vận hành máy cửa nếu nắp bảo vệ phía dưới không di chuyển tự do và đóng lại được. Tuyệt đối không kẹp hoặc gắn nắp bảo vệ phía dưới vào vị trí mở. Nếu tình cờ làm rơi máy cửa, nắp bảo vệ phía dưới có thể bị cong. Nâng nắp bảo vệ phía dưới lên bằng tay nắm cơ rút và đảm bảo nó di chuyển tự do và không được chạm vào lưới cửa hoặc bất kỳ bộ phận nào khác ở tất cả các góc và độ sâu của đường cửa.
- ▶ **Kiểm tra hoạt động của lò xo bảo vệ phía dưới.** Nếu nắp bảo vệ và lò xo không hoạt động tốt, phải sửa chữa chúng trước khi sử dụng. Nếu nắp bảo vệ dưới hoạt động chậm do các bộ phận bị hư hỏng, nhựa lỏng hoặc tích tụ các mảnh vụn cửa.
- ▶ **Có thể cơ rút nắp bảo vệ phía dưới bằng tay chỉ với các đường cửa đặc biệt như các "đường cửa rãnh chìm" và "đường cửa ghép".** Nâng nắp bảo vệ phía dưới lên bằng tay nắm cơ rút và ngay khi lưới cửa cắt vào vật liệu, phải nhả nắp bảo vệ phía dưới ra. Đối với các đường cửa khác, phải vận hành nắp bảo vệ phía dưới một cách tự động.
- ▶ **Luôn quan sát nắp bảo vệ xem có che kín lưới cắt không trước khi đặt máy cửa xuống bàn làm việc hoặc sàn nhà.** Lưới cửa không

được bảo vệ sẽ làm cho máy cửa bật ngược lại và cắt vào bất kỳ điểm nào trong đường cửa. Cần để ý đến thời gian cần thiết để dừng lưới cửa sau khi nhả công tắc.

Các cảnh báo phụ thêm

- ▶ **Không cắm vào bộ phun vô bào bằng tay.** Nó có thể làm bạn bị thương ở các bộ phận xoay.
- ▶ **Không làm việc với cửa ở trên đầu.** Bạn không kiểm soát đủ trên dụng cụ điện.
- ▶ **Dùng thiết bị dò tìm thích hợp để xác định nếu có các công trình công cộng lắp đặt ngầm trong khu vực làm việc hay liên hệ với Cty công trình công cộng địa phương để nhờ hỗ trợ.** Dụng cụ dò tìm đường dẫn điện có thể gây ra hỏa hoạn và điện giật. Làm hư hại đường dẫn khí ga có thể gây nổ. Làm thủng đường dẫn nước gây hư hỏng tài sản hay có khả năng gây ra điện giật.
- ▶ **Giữ máy thật chắc bằng cả hai tay trong khi làm việc và luôn luôn giữ tư thế đứng cho thích hợp và cân bằng.** Dùng hai tay để điều khiển máy thì an toàn hơn.
- ▶ **Không được vận hành tinh dụng cụ điện.** Nó không được thiết kế để vận hành với bàn cửa.
- ▶ **Khi „Phay cắt chìm“, mà không được tiến hành ở góc bên phải, hãy cố định tấm dẫn hướng của cửa để chống di chuyển sang bên.** Việc di chuyển sang bên có thể dẫn đến kẹp lưới cửa và gây dội ngược.
- ▶ **Kẹp chặt vật gia công.** Vật gia công được kẹp bằng một thiết bị kẹp hay bằng ê-tô thì vững chắc hơn giữ bằng tay.
- ▶ **Luôn luôn đợi cho máy hoàn toàn ngừng hẳn trước khi đặt xuống.** Dụng cụ lắp vào máy có thể bị kẹp chặt dẫn đến việc dụng cụ điện cầm tay bị mất điều khiển.
- ▶ **Không được sử dụng lưới cửa bằng thép HSS.** Những loại lưới cửa như vậy có thể vỡ dễ dàng.
- ▶ **Không cửa kim loại đen.** Các vỏ bào nóng sáng có thể đốt cháy hệ thống hút bụi.
- ▶ **Hãy mang mặt nạ chống bụi.**

Mô Tả Sản Phẩm và Đặc Tính Kỹ Thuật



Đọc kỹ mọi cảnh báo an toàn và mọi hướng dẫn. Không tuân thủ mọi cảnh báo và hướng dẫn được liệt kê dưới đây có thể bị điện giật, gây cháy và / hay bị thương tật nghiêm trọng.

Xin lưu ý các hình minh hoạt trong phần trước của hướng dẫn vận hành.

Sử dụng đúng cách

Máy được thiết kế để cắt gỗ theo đường dọc thẳng và chéo góc cũng như cắt vát chéo góc khi vật liệu gia công được kẹp giữ vững chắc.

Các bộ phận được minh họa

Sự đánh số các biểu trưng của sản phẩm là để tham khảo hình minh họa của máy trên trang hình ảnh.

- (1) Công tắc Tắt/Mở
- (2) Nút nhà khóa của công tắc Tắt/Mở
- (3) Tay nắm phụ (có bề mặt nắm cách điện)^{A)}
- (4) Nút khóa trực
- (5) Thước đo góc vuông rộng
- (6) Bu-lông tai hồng dùng để chọn trước góc xiên
- (7) Bu-lông tai hồng của dưỡng cặp cạnh
- (8) Đầu cắt 45°
- (9) Đầu cắt 0°
- (10) Dưỡng Cặp Cạnh
- (11) Chắn đàn hồi bảo vệ lưỡi
- (12) Chân đế khuôn bao
- (13) Cần đàn hồi dùng để kéo thật chắn bảo vệ lưỡi vào
- (14) Vít khóa cầu thanh
- (15) Chắn bảo vệ lưỡi
- (16) Tay nắm (bề mặt nắm cách điện)
- (17) Chia vặn sáu cạnh
- (18) Vít siết với đĩa
- (19) Bích kẹp
- (20) Lưỡi Cưa^{A)}
- (21) Trục cưa có mặt bích tiếp nhận
- (22) Cần khóa dùng để chọn trước cỡ sâu cắt
- (23) Thước đo cỡ sâu cắt
- (24) Cặp kẹp của vít^{B)}

A) Phụ tùng được trình bày hay mô tả không phải là một phần của tiêu chuẩn hàng hóa được giao kèm theo sản phẩm. Bạn có thể tham khảo tổng thể các loại phụ tùng, phụ kiện trong chương trình phụ tùng của chúng tôi.

B) Thông thường (không bao gồm trong phạm vi giao hàng)

Thông số kỹ thuật

Cưa Đĩa	GKS 140	
Mã số máy		3 601 FB3 0..
Công suất vào danh định	W	1400
Tốc độ không tải	min ⁻¹	6200
cỡ sâu cắt tối đa với đường kính lưỡi cưa là 184 mm		
– ở góc vát chéo 0°	mm	64

Cưa Đĩa	GKS 140	
– ở góc vát chéo 45°	mm	45
Khóa trực		●
Các kích thước chân đế khuôn bao	mm	290 x 150
đường kính lưỡi cưa tối đa/tối thiểu	mm	184
Độ dày lưỡi cưa, tối đa	mm	2,0
Lỗ lắp vào	mm	20
Trọng lượng theo Qui trình EPTA Procedure 01:2014	kg	3,7
Cấp độ bảo vệ		/ II

Các giá trị đã cho có hiệu lực cho điện thế danh định [U] 230 V. Đối với điện thế thấp hơn và các loại máy dành riêng cho một số quốc gia, các giá trị này có thể thay đổi.

Chạy trình khởi động làm giảm điện áp xảy ra thoáng nhanh. Sự giảm nhiều động đối với các thiết bị/máy móc khác có thể xảy ra trong trường hợp ở vào tình trạng không thuận lợi của hệ thống điện nguồn. Không có sự cố xảy ra đối với hệ thống có trở kháng dưới 1,539 ohm.

Thông tin về Tiếng ồn/Độ rung

Giá trị phát thải tiếng ồn được xác minh phù hợp với EN 62841-2-5.

Mức ồn loại A của dụng cụ điện thường là: Mức áp suất âm thanh 96 dB(A); Mức công suất âm thanh 107 dB(A). Hệ số bất định K = 3 dB.

Hãy đeo thiết bị bảo vệ tai!

Tổng giá trị rung a_n (tổng vector của ba hướng) và hệ số bất định K được xác định theo EN 62841-2-5:

Cưa Gõ: $a_n < 2,5 \text{ m/s}^2$, $K = 1,5 \text{ m/s}^2$

Độ rung và giá trị phát thải tiếng ồn ghi trong những hướng dẫn này được đo phù hợp với một trong những quy trình đo và có thể được sử dụng để so sánh với các dụng cụ điện. Chúng cũng thích hợp cho việc đánh giá tạm thời áp lực rung và phát thải tiếng ồn.

Độ rung và giá trị phát thải tiếng ồn này đại diện cho những ứng dụng chính của dụng cụ điện. Tuy nhiên nếu dụng cụ điện được dùng cho các ứng dụng khác, với những phụ tùng khác hoặc bảo trì kém thì độ rung và giá trị phát thải tiếng ồn cũng có thể thay đổi. Điều này có thể làm tăng áp lực rung và phát thải tiếng ồn trong toàn bộ thời gian làm việc một cách rõ ràng.

Để đánh giá chính xác áp lực rung và phát thải tiếng ồn cần phải tính toán những lần máy chạy tắt hay bật nhưng không thực sự hoạt động. Điều này có thể làm giảm áp lực rung và phát thải tiếng ồn trong toàn bộ thời gian làm việc một cách rõ ràng.

Thiết lập các biện pháp an toàn bổ sung để bảo vệ nhân viên vận hành trước ảnh hưởng do rung, ví dụ như: Bảo trì dụng cụ điện và các phụ tùng thay thế, giữ ẩm tay, thiết lập các quy trình làm việc.

Sự lắp vào

- ▶ **Chỉ sử dụng lưới cửa có tốc độ tối đa cho phép cao hơn tốc độ không tải của dụng cụ điện.**

Lắp/Thay Lưới Cửa

- ▶ **Trước khi tiến hành bất cứ việc gì trên máy, kéo phích cắm điện nguồn ra.**
- ▶ **Khi lắp ráp lưới cửa, hãy mang găng tay bảo hộ vào.** Nguy cơ gây thương tích khi chạm vào lưới cửa.
- ▶ **Chỉ sử dụng lưới cửa phù hợp với các đặc tính kỹ thuật được ghi rõ trong các hướng dẫn sử dụng và trên dụng cụ điện và đã được thử nghiệm, và được đánh dấu đáp ứng tiêu chuẩn EN 847-1.**
- ▶ **Trong bất kỳ trường hợp nào cũng không được sử dụng đĩa mài làm phụ tùng.**

Tháo dỡ lưới cửa (xem hình A)

Để thay dụng cụ cắt, tốt nhất là nên đặt máy lên bên bề mặt có vỏ bọc động cơ.

- Nhấn nút khóa trục (4) và nhấn giữ.
- ▶ **Chỉ cho nút khóa trục hoạt động (4) khi trục cửa đã đứng yên.** Nếu không, máy có thể bị làm hỏng.
- Dùng chia vặn sáu cạnh (17) để xoay bu-lông bắt cố định (18) theo hướng xoay ① ra ngoài.
- Hãy xoay chắn đàn hồi bảo vệ lưới (11) lùi và giữ chặt.
- Hãy tháo bích kẹp (19) và lưới cửa (20) khỏi trục cửa có mặt bích tiếp nhận (21).

Chọn Lưới Cửa

Bạn sẽ tìm thấy một tổng quan các lưới cửa khuyến nghị ở cuối hướng dẫn vận hành.

Lắp lưới cửa (xem hình A)

Để thay dụng cụ cắt, tốt nhất là nên đặt máy lên bên bề mặt có vỏ bọc động cơ.

- Làm sạch lưới cửa (20) và tất cả bộ phận kẹp cần lắp.
- Hãy xoay chắn đàn hồi bảo vệ lưới (11) lùi và giữ chặt.
- Hãy đặt lưới cửa (20) lên trục cửa (21). Hướng cắt của răng (Hướng mũi tên trên lưới cửa) và mũi tên hướng xoay trên chắn bảo vệ lưới (15) phải khớp.
- Đặt bích kẹp (19) lên và vặn bu-lông bắt cố định vào (18) theo hướng xoay ②. Hãy chú ý vị trí lắp ráp đúng của trục cửa có mặt bích tiếp nhận (21) và bích kẹp (19).
- Nhấn nút khóa trục (4) và nhấn giữ.
- Dùng chia vặn sáu cạnh (17) để siết chặt bu-lông bắt cố định (18) theo hướng xoay ②. Mô-men xoắn phải đạt 6–9 Nm, tương ứng với ¼ vòng chặt vừa tay.

Hút Dăm/Bụi

Mặt bụi từ các vật liệu được sơn phủ ngoài có chứa chì trên một số loại gỗ, khoáng vật và kim loại có thể gây nguy hại đến sức khỏe con người. Đụng chạm hay hít thở các bụi này có thể làm người sử dụng hay đứng gần bị dị ứng và/hoặc gây nhiễm trùng hệ hô hấp.

Một số mặt bụi cụ thể, ví dụ như bụi gỗ sồi hay đậu, được xem là chất gây ung thư, đặc biệt là có liên quan đến các chất phụ gia dùng xử lý gỗ (chất cromat, chất bảo quản gỗ). Có thể chỉ nên để thợ chuyên môn gia công các loại vật liệu có chứa amiăng.

- Cách xa ở mức có thể được, sử dụng hệ thống hút thích hợp cho loại vật liệu.
- Tạo không khí thông thoáng nơi làm việc.
- Khuyến nghị nên mang mặt nạ phòng độc có bộ lọc cấp P2.

Tuân thủ các qui định của quốc gia bạn liên quan đến loại vật liệu gia công.

- ▶ **Tránh không để rác tích tụ tại nơi làm việc.** Rác có thể dễ dàng bắt lửa.

Vận Hành

Chế độ hoạt động

- ▶ **Trước khi tiến hành bất cứ việc gì trên máy, kéo phích cắm điện nguồn ra.**

Điều chỉnh cỡ sâu cắt (xem hình B)

- ▶ **Điều chỉnh cỡ sâu cắt phù hợp với độ dày của phôi gia công.** Phải nhìn thấy được gần như nguyên rãnh của lưới cửa bên dưới vật liệu gia công.

Nhà tay gạt siết (22). Để có cỡ sâu cắt nhỏ hơn, hãy kéo cửa ra khỏi chân đế khuôn bao (12), để có cỡ sâu cắt lớn hơn hãy ấn cửa vào chân đế khuôn bao (12). Chính đặt cỡ sâu cắt theo yêu cầu trên thước đo cỡ sâu. Siết lại tay gạt siết (22).

Nếu bạn không thể điều chỉnh hoàn toàn cỡ sâu cắt sau khi nhà tay gạt siết (22), hãy kéo tay gạt siết (22) ra khỏi cửa và xoay xuống dưới. Hãy nhà tay gạt siết (22). Lắp lại thao tác này cho đến khi có thể điều chỉnh được cỡ sâu cắt yêu cầu.

Nếu bạn không thể chỉnh đủ cỡ sâu cắt sau khi siết chặt tay gạt siết (22), hãy kéo tay gạt siết (22) ra khỏi cửa và xoay lên trên. Hãy nhà tay gạt siết (22). Lắp lại thao tác này cho đến khi cỡ sâu cắt được chỉnh

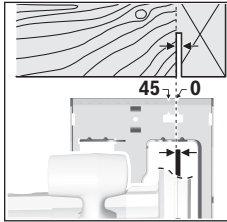
Làm trơn khi cắt kim loại

Tốt nhất là đặt dụng cụ điện lên mặt trước của chắn bảo vệ lưới (15).

Hãy nhà bu-long tại hông (6). Kéo nghiêng cửa sang một bên. Chính đặt cỡ sâu cắt theo yêu cầu trên thước đo (5). Siết chặt lại bu-long tại hông (6).

Lưu ý: Khi cắt mép vát, cỡ sâu cắt sẽ nhỏ hơn giá trị được hiển thị trên thước đo cỡ sâu (23).

Các Vạch Cắt



Dấu cắt 0° (9) hiển thị vị trí của lưỡi cưa ở vết cắt vuông góc. Dấu cắt 45° (8) hiển thị vị trí của lưỡi cưa ở vết cắt 45°.

Để cắt chính xác, chỉnh đặt máy cưa đĩa tựa vào vật gia công như đã được trình bày trong hình. Tốt nhất là nên

thực hiện việc cắt thử trước.

Bắt Đầu Vận Hành

- ▶ **Hãy cẩn thận với nguồn điện!** Điện thế nguồn phải đúng với điện thế đã ghi rõ trên nhãn máy. Dụng cụ điện được ghi 230 V cũng có thể được vận hành ở 220 V.

Bật Mở và Tắt

- ▶ **Hãy đảm bảo rằng, bạn có thể nhấn Công tắc bật/tắt, mà không cần nhả tay nắm.**

Để **vận hành** thử dụng cụ điện hãy nhấn khóa an toàn (2) và sau đó nhấn **công tắc tắt/mở** và nhấn giữ (1).

Để **tắt máy**, **nhả công tắc Tắt/Mở (1)** ra.

Hướng dẫn: Vì lý do an toàn, công tắc chuyển mạch Tắt/Mở (1) không thể khóa tự chạy được, mà phải giữ nhấn trong suốt quá trình vận hành.

Hướng Dẫn Sử Dụng

- ▶ **Trước khi tiến hành bất cứ việc gì trên máy, kéo phích cắm điện nguồn ra.**

Bảo vệ lưỡi cưa không bị va đập và dụng cụ chạm mạnh.

Đẩy máy đều tay và cho nạp tải vừa phải đi theo chiều cắt. Sự nạp tải quá mức làm giảm đáng kể tuổi thọ của dụng cụ cắt và có thể làm hư hỏng máy.

Hiệu suất cưa và chất lượng của sự cưa cắt tùy thuộc chủ yếu vào điều kiện, kiểu dáng răng của lưỡi cưa. Vì vậy, chỉ nên sử dụng các lưỡi cưa bén, thích hợp với loại vật liệu được gia công.

Cưa Gỗ

Sự lựa chọn đúng loại lưỡi cưa dựa trên loại và chất lượng gỗ và cách cắt theo yêu cầu, cắt theo chiều dọc hay chiều chéo góc.

Khi xé dọc gỗ cây vân sam, đảm bảo được tạo ra thường xoắn dài.

Bụi gỗ sỏi và bụi gỗ để gai đặc biệt gây hại cho sức khỏe, do đó chỉ làm việc với thiết bị hút bụi.

Cưa với thanh cữ (xem hình C)

Thanh cữ (10) cho phép cắt chính xác dọc theo cạnh phối gia công hoặc cắt các dải cùng kích thước.

Hãy nhả bu-lông tai hồng (7) và đẩy thước đo của thanh cữ (10) qua đường dẫn vào chân đế khuôn bao (12). Hãy đặt chiều rộng cắt mong muốn dưới dạng giá trị thang đo ở vạch cắt tương ứng (9) hoặc (8), xem phần „Các vạch cắt“. Hãy vặn chặt lại bu-lông tai hồng (7).

Cưa với dưỡng phụ (xem hình D)

Để cưa vật gia công rộng bản hoặc có cạnh thẳng, dùng ván hay thanh nẹp kẹp vào vật gia công như là một dưỡng phụ; có thể đẩy chân đế của cưa đĩa tựa dọc theo dưỡng phụ.

Bảo Dưỡng và Bảo Quản

Bảo Dưỡng Và Làm Sạch

- ▶ **Trước khi tiến hành bất cứ việc gì trên máy, kéo phích cắm điện nguồn ra.**
- ▶ **Để được an toàn và máy hoạt động đúng chức năng, luôn luôn giữ máy và các khe thông gió được sạch.**

Chấn dãn hồi bảo vệ lưỡi phải luôn luôn có thể chuyển động tự do, co thắt tự động. Vì vậy, luôn luôn giữ cho phạm vi chung quanh chấn bảo vệ lưỡi đàn hồi được sạch. Làm sạch bụi và đảm bảo bằng bàn chải.

Lưỡi cưa không được phủ ngoài, có thể bảo vệ được bằng cách dùng loại dầu nhờn không axit phủ một lớp mỏng chống gỉ sét lên. Phải lau sạch dầu nhờn lại trước khi sử dụng, nếu không, sẽ làm gỉ bị bẩn.

Cặn nhựa và keo dính trên lưỡi cưa tạo ra đường cắt có chất lượng tối. Vì vậy, làm sạch lưỡi cưa ngay sau mỗi lần sử dụng.

Nếu như cần phải thay dây dẫn điện thì công việc này phải do hãng **Bosch**, hay một đại lý được **Bosch** ủy nhiệm thực hiện để tránh gặp sự nguy hiểm do mất an toàn.

Dịch vụ hỗ trợ khách hàng và tư vấn sử dụng

Bộ phận phục vụ hàng sau khi bán của chúng tôi trả lời các câu hỏi liên quan đến việc bảo dưỡng và sửa chữa các sản phẩm cũng như phụ tùng thay thế của bạn. Sơ đồ mô tả và thông tin về phụ tùng thay thế cũng có thể tra cứu theo dưới đây:

www.bosch-pt.com

Đội ngũ tư vấn sử dụng của Bosch sẽ giúp bạn giải đáp các thắc mắc về sản phẩm và phụ kiện.

Trong tất cả các phản hồi và đơn đặt phụ tùng, xin vui lòng luôn luôn nhập số hàng hóa 10 chữ số theo nhãn của hàng hóa.

Việt Nam

CN CÔNG TY TNHH BOSCH VIỆT NAM TẠI
TP.HCM
Tầng 14, Ngôi Nhà Đức, 33 Lê Duẩn
Phường Bến Nghé, Quận 1, Thành Phố Hồ Chí
Minh
Tel.: (028) 6258 3690
Fax: (028) 6258 3692 - 6258 3694
Hotline: (028) 6250 8555
Email: tuvankhachhang-pt@vn.bosch.com
www.bosch-pt.com.vn
www.baohanhbosch-pt.com.vn

Campuchia

Công ty TNHH Robert Bosch (Campuchia)
Đơn nguyên 8BC, GT Tower, Tầng 08, Đường 169,
Tiệp Khắc Blvd, Sangkat Veal Vong,
Khan 7 Makara, Phnom Penh
VAT TIN: 100 169 511
Tel.: +855 23 900 685
Tel.: +855 23 900 660
www.bosch.com.kh

Sự thải bỏ

Máy, linh kiện và bao bì phải được phân loại để tái chế theo hướng thân thiện với môi trường.



Không được thải bỏ dụng cụ điện vào chung với rác sinh hoạt!

Chỉ dành cho các quốc gia thuộc khối Liên minh Châu Âu (EU):

Theo chỉ thị Châu Âu 2012/19/EU về thiết bị điện, thiết bị điện tử cũ và việc sử dụng theo luật quốc gia, các dụng cụ điện cầm tay không còn giá trị sử dụng phải được thu gom riêng và tái chế theo luật môi trường.

مخصص للاستعمال الخارجي من خطر الصدمات الكهربائية.

◀ **إن لم يكن بالإمكان تجنب تشغيل العدة الكهربائية في الأجواء الرطبة، فاستخدم مفتاح للوقاية من التيار المتخلف.** إن استخدام مفتاح للوقاية من التيار المتخلف يقلل خطر الصدمات الكهربائية.

أمان الأشخاص

◀ **كن يقظا وانتبه إلى ما تفعله واستخدم العدة الكهربائية بتعقل.** لا تستخدم عدة كهربائية عندما تكون متعبا أو عندما تكون تحت تأثير المخدرات أو الكحول أو الأدوية. عدم الانتباه للحظة واحدة عند استخدام العدة الكهربائية قد يؤدي إلى إصابات خطيرة.

◀ **قم لارتداء تجهيزات الحماية الشخصية.** وارتد دائما نظارات واقية. يعد ارتداء تجهيزات الحماية الشخصية، كقناع الوقاية من الغبار وأحذية الأمان الواقية من الانزلاق والحدوث أو واقية الأذنين، حسب ظروف استعمال العدة الكهربائية، من خطر الإصابة بجروح.

◀ **تجنب التشغيل بشكل غير مقصود.** تأكد من كون العدة الكهربائية مطفأة قبل توصيلها بالتيار الكهربائي و/أو بالمركم، وقبل رفعها أو حملها. إن كنت تضع إصبعك على المفتاح أثناء حمل العدة الكهربائية أو إن وصلت الجهاز بالشبكة الكهربائية بينما لامفتاح على وضع التشغيل، قد يؤدي إلى وقوع الحوادث.

◀ **انزع أداة الضبط أو مفتاح الربط قبل تشغيل العدة الكهربائية.** قد تؤدي الأداة أو المفتاح المتواجد في جزء دوار من الجهاز إلى الإصابة بجروح.

◀ **تجنب أوضاع الجسم غير الطبيعية.** قف بأمان وحافظ على توازنك دائما. سيسمح لك ذلك بالتمكّن في الجهاز بشكل أفضل في المواقف الغير متوقعة.

◀ **قم بارتداء ثياب مناسبة.** لا ترتد الثياب الفضفاضة أو الملّية. احرص على إبقاء الشعر والملابس بعيدا عن الأجزاء المتحركة. قد تتشابك الثياب الفضفاضة والملّية والشعر الطويل بالأجزاء المتحركة.

◀ **إن جاز تركيب تجهيزات شفط وتجميع الغبار، فتأكد من أنها موصولة وبأنه يتم استخدامها بشكل سليم.** قد يقلل استخدام تجهيزات لشفط الغبار من المخاطر الناتجة عن الغبار.

◀ **لا تستخدم العدة الكهربائية بلا مبالاة وتجاهل قواعد الأمان الخاصة بها نتيجة لتعودك على استخدام العدة الكهربائية وكثرة استخدامها.** فقد يتسبب الاستعمال دون حرص في حدوث إصابة بالغة تحدث في أجزاء من الثانية.

حسن معاملة واستخدام العدد الكهربائية

◀ **لا تفرط بتحميل الجهاز.** استخدم لتفنيذ أشغالك العدة الكهربائية المخصصة لذلك. إنك تعمل بشكل أفضل وأكثر أماناً بواسطة العدة الكهربائية الملائمة في مجال الأداء المذكور.

◀ **لا تستخدم العدة الكهربائية إن كان مفتاح تشغيلها تالف.** العدة الكهربائية التي لم يعد من

عربي

إرشادات الأمان

الإرشادات العامة للأمان بالعدد الكهربائية

تحذير

اطلع على كافة تحذيرات الأمان والتعليمات والصور والمواصفات المرفقة بالعدة الكهربائية. عدم اتباع التعليمات الواردة أدناه قد يؤدي إلى حدوث صدمة كهربائية، إلى نشوب حريق و/أو الإصابة بجروح خطيرة.

احتفظ بجميع الملاحظات التحذيرية والتعليمات للمستقبل.

يقصد بمصطلح «العدة الكهربائية» المستخدم في الملاحظات التحذيرية، العدد الكهربائي الموصولة بالشبكة الكهربائية (بواسطة كابل الشبكة الكهربائية) وأيضا العدد الكهربائي المزودة بمركم (دون كابل الشبكة الكهربائية).

الأمان بمكان الشغل

◀ **حافظ على نظافة مكان شغلك وإضاءته بشكل جيد.** الفوضى في مكان الشغل ونطاقات العمل غير المضأة قد تؤدي إلى وقوع الحوادث.

◀ **لا تشغل بالعدة الكهربائية في نطاق معرض لخطر الانفجار مثل الأماكن التي تتوفر فيه السوائل أو الغازات أو الأعبئة القابلة للاشتعال.** العدد الكهربائي تولد شررا قد يتطاير، فيشعل الأعبئة والأبخرة.

◀ **حافظ على بقاء الأطفال وغيرهم من الأشخاص بعيدا عندما تستعمل العدة الكهربائية.** تشتيت الانتباه قد يتسبب في فقدان السيطرة على الجهاز.

الأمان الكهربائي

◀ **يجب أن يتلائم قابس العدة الكهربائية مع المقبس.** لا يجوز تغيير القابس بأي حال من الأحوال. لا تستعمل القوايس المهائية مع العدد الكهربائية المؤرّضة (ذات طرف أرضي). تخفّف القوايس التي لم يتمّ تغييرها والمقابس الملائمة من خطر الصدمات الكهربائية.

◀ **تجنب ملامسة جسمك للأسطح المؤرّضة كالأنابيب والمبردات والمواقد أو التلّاجات.** يزداد خطر الصدمات الكهربائية عندما يكون جسمك مَوْض أو موصل بالأرضي.

◀ **أبعد العدة الكهربائية عن الأمطار أو الرطوبة.** يزداد خطر الصدمات الكهربائية إن تسرب الماء إلى داخل العدة الكهربائية.

◀ **لا تسيّ استعمال الكابل.** لا تستخدم الكابل في حمل العدة الكهربائية أو سحبها أو سحب القابس من المقبس. احرص على إبعاد الكابل عن الحرارة والزيت والحواف الحادة أو الأجزاء المتحركة. تزيد الكابلات التالفة أو المتشابكة من خطر الصدمات الكهربائية.

◀ **عند استخدام العدة الكهربائية خارج المنزل اقتصر على استخدام كابلات التمديد الصالحة للاستعمال الخارجي.** يقلل استعمال كابل تمديد

- ◀ لا تمسك أبداً بقطعة الشغل في يدك أو بين ساقيك أثناء عملية القطع. احرص على تثبيت قطعة الشغل على منصة عمل ثابتة. من المهم سند قطعة الشغل بشكل مناسب لتقليل تعرض الجسم للخطر أو إعاقة النصل أو فقدان السيطرة.
- ◀ أمسك العدة الكهربائية من أسطح المسك المعزولة، عند القيام بعمل قد يترتب عليه ملامسة أداة القطع لأسلاك كهربائية غير ظاهرة أو لسلك الكهرباء الخاص بالعدة نفسها. قد يتسبب لمس سلك «مكهرب» في مرور التيار في الأجزاء المعدنية من العدة وجعلها «مكهربة» مما قد يصيب المشغل بصدمة كهربائية.
- ◀ عند شق قطعة من الخشب استخدم دائماً حاجز متوازي أو دليل بحافة مستقيمة. يزيد ذلك من دقة القطع ويقلل احتمالية تعرض النصل للإعاقة.
- ◀ احرص دائماً على استخدام أنصال ذات شكل ومقاس صحيحين (ماسي مقابل مستدير) للتجاويف الوسطى. النصل غير المناسبة لأجزاء تركيب المنشار ستدور بشكل حائد عن المركز مما يتسبب في فقدان التحكم.
- ◀ لا تستخدم وردات نصل أو برغي تالف أو غير صحيح. تم تصميم وردات النصل والبرغي خصيصاً لمنشارك، للحصول على أفضل أداء وأمان أثناء العمل.

أسباب الصدمة الارتدادية والتحذيرات المتعلقة بها

- الصدمة الارتدادية هي رد فعل مفاجئ لتعثر نصل المنشار أو انمشاره أو محازاته بشكل خاطئ، مما يتسبب في فقدان السيطرة على المنشار وتحركه إلى أعلى بعيداً عن قطعة الشغل في اتجاه المشغل،
- في حالة تعثر النصل أو انمشاره بقوة عند نهاية الشق، يتوقف النصل ويدفع رد فعل الموتور الوحده بسرعة إلى الخلف في اتجاه المشغل،
- في حالة التواء النصل أو خطأ محازاته مع خط القطع فقد تدخل أسنان الحافة الخلفية للنصل في السطح العلوي للخشب مما يتسبب في خروج النصل من الشق وارتداده في اتجاه المشغل.
- تعتبر الصدمة الارتدادية نتيجة للاستخدام الخاطئ للمنشار و/أو لخطوات تشغيل غير صحيحة أو لظروف غير ملائمة، ويمكن تجنبها عن طريق أخذ الاحتياطات المناسبة المبينة أدناه.

- ◀ احرص دائماً على إحكام مسك المنشار بيدك الأيمن، وعلى وضعية أذرع تتبج لك مقاومة القوى الارتدادية. قف على أحد جانبي النصل، ولا تقف في خط واحد معه. قد تتسبب الصدمة الارتدادية في اندفاع المنشار للخلف إلا أنه يمكن للمشغل السيطرة على القوى الارتدادية في حالة اتخاذه الاحتياطات المناسبة.
- ◀ في حالة تعرض النصل للإعاقة أو في حالة إيقافك لعملية القطع لأي سبب من الأسباب، اترك الزناد وقم بإيقاف المنشار داخل الخامة إلى أن يتوقف النصل تماماً. لا تحاول أبداً جذب المنشار من قطعة الشغل أو شده للخلف بينما النصل في حالة حركة أو معرض لصدمة ارتدادية. ابدأ عن السبب وقم بإجراءات تصحيحية لإزالة سبب تعرض النصل للإعاقة.

- الممكن التحكم بها عن طريق مفتاح التشغيل والإطفاء تعتبر خطيرة ويجب أن يتم إصلاحها.
- ◀ اسحب القابس من المقبس و/أو اخلع المركم، إذا كان قابلاً للخلع، قبل ضبط الجهاز وقبل استبدال الملحقات أو قبل تخزين الجهاز. تمنع هذه الإجراءات وقائية تشغيل العدة الكهربائية بشكل غير مقصود.
- ◀ احتفظ بالعدد الكهربائية التي لا يتم استخدامها بعيداً عن متناول الأطفال. لا تسمح باستخدام العدة الكهربائية لمن لا خبرة له بها أو لمن لم يقرأ تلك التعليمات. العدد الكهربائية خطيرة إن تم استخدامها من قبل أشخاص دون خبرة.
- ◀ اعتن بالعدد الكهربائية والملحقات بشكل جيد. تأكد أن أجزاء الجهاز المتحركة مركبة بشكل سليم وغير مستعصية عن الحركة، وتفحص ما إن كانت هناك أجزاء مكسورة أو في حالة تؤثر على سلامة أداء العدة الكهربائية. ينبغي إصلاح هذه الأجزاء التالفة قبل إعادة تشغيل الجهاز. الكثير من الموادث مصدرها العدد الكهربائية التي تتم صيانتها بشكل رديء.
- ◀ احرص على إبقاء عدد القطع نظيفة وحادة. إن عدد القطع ذات حواف القطع المادة التي تم صيانتها بعناية تتكلم بشكل أقل ويمكن توجيهها بشكل أيسر.
- ◀ استخدم العدد الكهربائية والتوايح وريش الشغل إلخ. وفقاً لهذه التعليمات. تراعى أثناء ذلك ظروف الشغل والعمل المراد تنفيذه. استخدام العدد الكهربائية لغير الأشغال المخصصة لأجلها قد يؤدي إلى حدوث الحالات الخطيرة.
- ◀ احرص على إبقاء المقابض وأسطح المسك جافة ونظيفة وخالية من الزيوت والشحوم. المقابض وأسطح المسك الزلقة لا تتبع التشغيل والتحكم الآمن في العدة في المواقف غير المتوقعة.

الخدمة

- ◀ احرص على إصلاح عدتك الكهربائية فقط بواسطة العمال المتخصصين وباستعمال قطع الغيار الأصلية فقط. يضمن ذلك المحافظة على أمان الجهاز.

إرشادات الأمان للمنشار الدائرية

خطوات القطع

- ⚠ خطر: أبعد يديك عن حيز القطع وعن النصل. ضع يدك الأخرى على المقبض الإضافي، أو علب الموتور. إذا كانت اليدين تمسكان بالمنشار فلن تتعرضا للإصابة من جراء النصل.
- ◀ لا تستمر في القطع حتى تصل إلى أسفل قطعة الشغل. لا يمكن لغطاء الوقاية أن يحميك من النصل أسفل قطعة الشغل.
- ◀ اضبط عمق القطع ليناسب سمك قطعة الشغل. ينبغي أن يظهر أقل من سن كامل من أسنان النصل أسفل قطعة الشغل.

- ◀ **إرشادات الأمان الإضافية**
- ◀ لا تدخل يدك في مقذف النشارة. فقد تتعرض للإصابة من جراء الأجزاء الدوارة.
- ◀ لا تعمل بالمنشار فوق مستوى الرأس. فعندئذ لا يُتاح لك السيطرة الكافية على العدة الكهربائية.
- ◀ استخدم أجهزة تنقيب ملائمة للثور على خطوط الامداد غير الظاهرة، أو استعن بشركة الامداد المحلية. ملازمة الخطوط الكهربائية قد تؤدي إلى اندلاع النار وإلى الصدمات الكهربائية. حدوث أضرار بخط الغاز قد يؤدي إلى حدوث انفجارات. اختراق خط الماء يشكل الأضرار المادية أو قد يؤدي إلى الصدمات الكهربائية.
- ◀ أمسك العدة الكهربائية جيداً بكلتا يديك عند العمل، واحرص على أن تكون في وضعية ثابتة. يتم توجيه العدة الكهربائية بأمان بواسطة اليدين الأثنتين.
- ◀ لا تقم بتشغيل العدة الكهربائية من وضع ثابت. فهي ليست مصممة للتشغيل على قاعدة المنشار.
- ◀ احرص أثناء «القطع الغاطس»، الذي يتم بزواوية غير قائمة، على تأمين اللوح الدليلي للمنشار ضد التحرك الجانبي. فقد يؤدي التحرك الجانبي إلى انحصار شفرة المنشار وبالتالي حدوث ارتداد.

- ◀ احرص على تأمين قطعة الشغل. قطعة الشغل المثبتة بواسطة تجهيزه شدّ أو بواسطة الملزمة مثبتة بأمان أكبر مما لو تم الإمساك بها بواسطة يدك.
- ◀ انتظر إلى أن تتوقف العدة الكهربائية عن الحركة قبل أن تضعها جانباً. قد تتكلم عدة الشغل فتؤدي إلى فقدان السيطرة على العدة الكهربائية.
- ◀ لا تستخدم نصال المنشار المصنوعة من الفولاذ HSS. فتصالح المنشار هذه قد تتكسر بسهولة.
- ◀ لا تقم بنشر خامات حديدية. فقد تتسبب النشارة المتوهجة في إشعال الأتربة المشفوفة.
- ◀ قم بارتداء قناع للوقاية من الغبار.

وصف المنتج والأداء

- ◀ اقرأ جميع إرشادات الأمان والتعليمات. ارتكاب الأخطاء عند تطبيق إرشادات الأمان والتعليمات، قد يؤدي إلى حدوث صدمات كهربائية أو إلى نشوب الحرائق و/أو الإصابة بجروح خطيرة.
- ◀ يرجى الرجوع إلى الصور الموجودة في الجزء الأول من دليل التشغيل.

الاستعمال المخصص

العدة الكهربائية مخصصة لتنفيذ القطوع الطولية والعرضية بالأسناد الثابت وبمسار مستقيم ومائل بالخشب.

- ◀ في حالة إعادة تشغيل المنشار داخل قطعة العمل احرص على مركزة النصل في الشق بحيث تكون أسنان المنشار غير متشابكة مع الخامة. في حالة تعرض النصل للإعاقة فقد يتحرك لأعلى أو يسبب صدمة ارتدادية من قطعة الشغل عند إعادة تشغيل النصل.
- ◀ احرص على سند الألواح الكبيرة لتقليل مخاطر تعثر النصل أو الصدمة الارتدادية. تميل الألواح الكبيرة للهبوط نتيجة لوزنها الكبير. يجب وضع سنادات تمت اللوح على الجانبين بالقرب من خط القطع وبالقرب من حافة اللوح.
- ◀ لا تستخدم أنصال ثالثة أو ثقيلة الحركة. الأنصال غير الحادة والمضبوطة بشكل غير صحيح تتسبب في شقوق ضيقة مما يسبب احتكاك إضافي، وبالتالي تعرض النصل للإعاقة والصدمة الارتدادية.
- ◀ يجب أن تكون أذرع تأمين ضبط عمق النصل وميل القطع مشدودة بثبات قبل القيام بالقطع. في حالة تحرك ضابط النصل أثناء القطع فقد يتسبب في إعاقة أو صدمة ارتدادية.
- ◀ تصرف بحرص شديد عند استخدام المنشار في الجدران أو المناطق الأخرى التي يتعدز رؤيتها. فقد يقوم النصل البارز بقطع أجسام تتسبب في حدوث صدمة ارتدادية.

وظيفة غطاء الوقاية السفلي

- ◀ افحص غطاء الوقاية السفلي قبل كل استخدام من حيث الغلق بشكل سليم. لا تقم بتشغيل المنشار إذا لم يكن غطاء الوقاية السفلي حر الحركة ويمكن غلقه على الفور. لا تقم أبداً بقمط أو ربط غطاء الوقاية السفلي في وضع الفتح. في حالة سقوط المنشار فقد يتعرض غطاء الوقاية السفلي للانشاء. ارفع غطاء الوقاية السفلي باستخدام المقبض القابل للإدخال وتأكد أنه حر الحركة ولا يلامس النصل أو أي جزء آخر في كافة زوايا وأعماق القطع.
- ◀ افحص عمل نابض غطاء الوقاية السفلي. إذا كان غطاء الوقاية والنابض لا يعملان بشكل مناسب، يجب إجراء أعمال الخدمة عليهم قبل الاستخدام. قد يعمل غطاء الوقاية السفلي ببطء نتيجة لوجود أجزاء تالفة أو رواسب ملتصقة أو لتراكم الشوائب.

- ◀ يمكن إدخال غطاء الوقاية السفلي يدوياً مع بعض أنواع القطع الخاصة مثل «القطوع الغاطسة» و«القطوع المدمجة». ارفع غطاء الوقاية السفلي عن طريق سحب المقبض، وبمجرد وصول النصل إلى الخامة، يجب ترك غطاء الحماية السفلي. بالنسبة لجميع أعمال القطع الأخرى يجب أن يعمل غطاء الوقاية السفلي بشكل أوتوماتيكي.

- ◀ تأكد أن غطاء الوقاية السفلي يغطي النصل قبل وضع المنشار لأسفل على الطاولة أو على الأرضية. النصل المستمر في الدوران غير المغطى قد يتسبب في تحرك المنشار للخلف ليقطع أي شيء في طريقه. انتبه للوقت الذي يستغرقه النصل حتى يتوقف بعد ترك المفتاح.

GKS 140 منشار يدوي دائري

3,7	كجم	الوزن حسب EPTA-Procedure 01:2014
-----	-----	--

فئة الصيانة II /

تسري البيانات على جهد اسمي [U] يبلغ 230 فولت. قد تختلف تلك البيانات حسب اختلاف الجهد والظروف الخاصة بكل دولة.

تسبب عمليات التشغيل في انخفاضات في الجهد لفترات قصيرة. عند الاستخدام غير المناسب لشبكة الكهرباء قد تحدث أضرار بأجهزة أخرى. في حالة وجود مقاومة بالشبكة أقل من 1,539 أوم فليس من المتوقع حدوث اختلالات.

التركيب

◀ استخدم فقط نصال المنشار التي تزيد سرعتها القصوى المسموحة عن عدد الدوران اللاحملي بالعدة الكهربائية.

تركيب/استبدال نصل المنشار الدائري

◀ اسحب القابس من مقبس الشبكة الكهربائية قبل إجراء أي عمل على العدة الكهربائية.

◀ ارتد قفازات واقية عند تركيب نصل المنشار. يؤدي ملامسة نصل المنشار إلى تشكل خطر الإصابة بجروح.

الأجزاء المصورة

يشير ترقيم الأجزاء المصورة إلى رسوم العدة الكهربائية الموجودة في صفحة الرسوم التخطيطية.

- (1) مفتاح التشغيل والإطفاء
- (2) قفل تشغيل مفتاح التشغيل والإطفاء
- (3) مقبض إضافي (موضع مسك معزول)^(A)
- (4) زر تثبيت محور الدوران
- (5) مقياس زوايا الشطب المائلة
- (6) لولب منجن لاختيار زاوية الشطب مسبقا
- (7) لولب منجن لمصد التوازي
- (8) علامة القطع 45°
- (9) علامة القطع 0°
- (10) مصد التوازي
- (11) غطاء وقاية متأرجع
- (12) صفيحة القاعدة
- (13) ذراع ضبط غطاء الوقاية المتأرجع
- (14) مقذف النشارة
- (15) غطاء الوقاية
- (16) مقبض (مقبض مسك معزول)
- (17) مفتاح سداسي الرأس المجوف
- (18) لولب شد مع وردة
- (19) شفة شد
- (20) نصل المنشار الدائري^(A)
- (21) محور دوران المنشار مع فلانشة تثبيت
- (22) ذراع شد لضبط عمق القطع مسبقا
- (23) مقياس عمق القطع
- (24) زوج ملازم^(B)

(A) لا يتضمن إطار التوريد الاعتيادي التوايح المصورة أو المشروحة. تجد التوايح الكاملة في برنامجنا للتوايح.

(B) متداولة (غير مرفقة بإطار التوريد)

البيانات الفنية

منشار يدوي دائري		GKS 140
رقم الصنف		3 601 FB3 0..
قدرة الدخل الاسمية	واط	1400
عدد اللفات اللاحملي	دقيقة ⁻¹	6200
أقصى عمق قطع مع نصل منشار بسلك 184 مم		
- مع زاوية شطب مائلة 0°	مم	64
- مع زاوية شطب مائلة 45°	مم	45
قفل محور الدوران		●
أبعاد صفيحة القاعدة	مم	150 x 290
أقصى/أدنى قطر لشفرة المنشار	مم	184
سلك النصل الأقصى	مم	2,0
فجوة الحوض	مم	20

- المواد المافظة للخشب). يجوز أن يتم معالجة المواد التي تنتمي على الأسبستوس من قبل العمال المتخصصين فقط دون غيرهم.
- استخدم شاقطة غبار ملائمة للمادة قدر الإمكان.
- حافظ على تهوية مكان الشغل بشكل جيد.
- ينصح بارتداء قناع وقاية للتنفس بفتحة المرشح P2. تراعى الأحكام السارية في بلدكم بالنسبة للمواد المرغوب معالجتها.
- ◀ **تجنب تراكم الغبار بمكان العمل.** يجوز أن تشتعل الأغبرة بسهولة.

التشغيل

طرق التشغيل

- ◀ **اسحب القابس من مقبس الشبكة الكهربائية قبل إجراء أي عمل على العدة الكهربائية.**

ضبط عمق القطع (انظر الصورة B)

- ◀ **قم بمواءمة عمق القطع مع سمك قطعة الشغل.** ينبغي أن يقل ما يمكن رؤيته تحت قطعة الشغل عن ارتفاع السن الكامل.

- قم بفك ذراع الشد (22). بالنسبة لأعماق القطع الصغيرة إخلع المنشار من صفيحة القاعدة (12) بالنسبة لأعماق القطع الكبيرة، اضغط المنشار في اتجاه صفيحة القاعدة (12). اضبط المقاس المرغوب في مقياس عمق القطع. أحكم ربط ذراع الشد (22) مرة أخرى.

- بعد حل ذراع الشد (22) إن لم تتمكن من تعديل عمق القطع بشكل كامل (22) فاسحب ذراع الشد عن المنشار وحركها للأسفل. اترك ذراع الشد (22) مرة أخرى. كرر العملية السابقة إلى أن يتم ضبط عمق القطع المرغوب.

- بعد إحكام ربط ذراع الشد (22) إن لم تتمكن من تثبيت عمق القطع بشكل كاف فاسحب ذراع الشد (22) عن المنشار وحركها للأعلى. اترك ذراع الشد (22) مرة أخرى. كرر العملية السابقة إلى أن يتم تثبيت عمق القطع

ضبط زوايا الشطب المائلة

- يفضل وضع العدة الكهربائية على جهة غطاء الوقاية الجبهية (15).

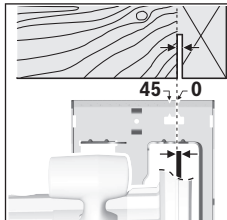
- قم بفك اللولب المجنح (6). اقلب المنشار إلى الجانب. اضبط المقاس المرغوب في التدرج (5). أعد ربط اللولب المجنح (6) بإحكام.

- إرشاد:** عند إجراء قطوع الشطب المائلة يكون عمق القطع أصغر من القيمة المشار إليها على مقياس عمق القطع (23).

علامات القطع

- وتبين علامة القطع °0 (9) وضع نصل المنشار في حالة القطع بزواوية قائمة. وتبين علامة القطع °45 (8) وضع نصل المنشار في حالة القطع بزواوية °45.

- ركز المنشار الدائري على قطعة الشغل كما يظهر



- ◀ **استخدم فقط أنصال المنشار التي توافق البيانات المذكورة في دليل الاستعمال هذا وعلى العدة الكهربائية، والتي تم اختبارها حسب المواصفة EN 847-1 والتي تم وضع علامة عليها تشير إلى ذلك.**
- ◀ **لا تستخدم أقراص التخليل كعدد شغل أبدا.**

فك شفرة المنشار (انظر الصورة A)

- يفضل وضع العدة الكهربائية على الجهة الجبهية لهيكل المحرك من أجل استبدال العدد.
- اضغط على زر تثبيت محور الدوران (4) واحتفظ به مضغوطا.

- ◀ **اضغط زر تثبيت محور الدوران (4) فقط عندما يكون محور دوران المنشار متوقفا عن الحركة.** وإلا، فقد تتعرض العدة الكهربائية للضرر.

- باستخدام مفتاح سداسي الرأس المجوف (17) أدرك لولب الشد (18) في اتجاه الدوران ⚙ لفكه.
- اقلب غطاء الوقاية المتأرجح (11) إلى الخلف وأمسك به بإحكام.

- إخلع فلانشة الشد (19) وشفرة المنشار (20) من بريمة المنشار مع فلانشة التثبيت (21).

اختيار نصل المنشار

- تجد في نهاية هذا الدليل عرضا عاما لأنصال المنشار الموصى بها.

تركيب شفرة المنشار (انظر الصورة A)

- يفضل وضع العدة الكهربائية على مقدمة هيكل المحرك من أجل استبدال العدد.

- نظف شفرة المنشار (20) وجميع قطع الشد المطلوب تركيبها.

- اقلب غطاء الوقاية المتأرجح (11) إلى الخلف وأمسك به بإحكام.

- قم بتركيب شفرة المنشار (20) على بريمة المنشار مع فلانشة التثبيت (21). يجب أن يتطابق اتجاه قص الأسنان (اتجاه السهم على نصل المنشار) مع سهم اتجاه الدوران على الغطاء الوافي (15).

- قم بتركيب فلانشة التثبيت (19) وقم بربط لولب الشد (18) في اتجاه الدوران ⚙. احرص على وضع التثبيت الصحيح لبريمة المنشار مع فلانشة التثبيت (21) وفلانشة الشد (19).

- اضغط على زر تثبيت محور الدوران (4) واحتفظ به مضغوطا.

- باستخدام مفتاح سداسي الرأس المجوف (17) اربط لولب الشد (18) في اتجاه الدوران ⚙. ينبغي أن يبلغ عزم الربط 6-9 نيوتن متر، وهذا يماثل إحكام الربط اليدوي بالإضافة إلى ¼ لفة.

شفط الغبار/النشارة

- إن غبار بعض المواد كالطلاء الذي يحتوي على الرصاص، وبعض أنواع الخشب والفلزات والمعادن، قد تكون مضرّة بالصحة. إن ملامسة أو استنشاق غبار قد يؤدي إلى أعراض حساسية و/أو إلى أمراض الجهاز التنفسي لدى المستخدم أو لدى الأشخاص المتواجدين على مقربة من المكان.
- تعتبر بعض الأغبرة المعينة، كأغبرة البليوط والزان، مسببة للسرطان، ولا سيما عند الارتباط بالمواد الإضافية لمعالجة الخشب (ملع حامض الكروميك،

الدائري بواسطة صفيحة القاعدة على مسار المصد المساعد.

ذلك في الصورة، من أجل الحصول على خط قطع دقيق. يفضل إجراء نشر تجريبي.

بدء التشغيل

يراعى جهد الشبكة الكهربائية! يجب أن يتطابق جهد منبع التيار مع البيانات المذكورة على لوحة صنع العدة الكهربائية. يمكن أن يتم تشغيل العدد الكهربائية المميزة بعلامة 230 فلت في مقبس 220 فلت أيضاً.

التشغيل والإطفاء

تأكد أنه بإمكانك الضغط على زر التشغيل/الإيقاف دون ترك المقبض اليدوي.

لغرض تشغيل العدة الكهربائية، اضغط أولاً على قفل التشغيل (2) واضغط بعدها على مفتاح التشغيل والإطفاء (1) واحتفظ به مضغوطاً.

لغرض إيقاف العدة الكهربائية اترك مفتاح التشغيل والإيقاف (1).

ملحوظة لا يمكن تثبيت مفتاح التشغيل والإطفاء (1) لأسباب متعلقة بالأمان، بل يجب أن يتم ضغطه طوال فترة التشغيل.

إرشادات العمل

أ سحب القابس من مقبس الشبكة الكهربائية قبل إجراء أي عمل على العدة الكهربائية.

ينبغي وقاية نصال المنشار من الصدمات والطرقات. قم بتوجيه العدة الكهربائية بشكل متزن وبضغط خفيف في اتجاه القطع. الدفع الأمامي الزائد يقلل إلى حد كبير من العمر الافتراضي لعدد الشغل ويمكن أن يسبب أضرار بالعدة الكهربائية.

تتعلق قدرة النشر ووجود القطع بشكل كبير بحالة وبشكل أسنان نصل المنشار، لذلك ينبغي استخدام نصال المنشار الماددة والملائمة للمادة المرغوب معالجتها فقط.

نشر الخشب

يتعلق اختيار نصل المنشار الملائم بنوع الخشب ووجود الخشب وإن كان من المطلوب إجراء القطوع الطولية أو العرضية.

في عمليات القطع الطولي في خشب الصنوبر تنشأ نشارة طويلة ولولبية الشكل.

إن أغبرة الزان والبلوط شديدة الضرر بالصحة، لذلك ينبغي العمل فقط بالاتصال مع شاقطة للأغبرة.

النشر مع مصدر التوازي (انظر الصورة C)

يسمح مصدر التوازي (10) بإجراء القطوع الدقيقة على مسار حافة قطعة الشغل أو بقطع الخطوط المتساوية.

قم بحل اللولب المرنج (7) قم بتحريك تدريج مصدر التوازي (10) عبر المسار الدليلي في صفيحة القاعدة (12). اضبط عرض القص المرغوب كقيمة قياسية على علامة القطع (9) أو (8)، راجع الفقرة «تعليم المقاطع». اربط اللولب المرنج (7) مرة أخرى بإحكام.

النشر مع مصدر مساعد (انظر الصورة D)

من أجل قص قطع الشغل الكبيرة أو لقص الحواف المستقيمة يمكنك أن تثبت لوح خشبي أو عارضة كمصد مساعد على قطعة الشغل، لتوجه المنشار

الصيانة والخدمة

الصيانة والتنظيف

أ سحب القابس من مقبس الشبكة الكهربائية قبل إجراء أي عمل على العدة الكهربائية.

أ للعمل بشكل جيد وأمن حافظ دائماً على نظافة العدة الكهربائية وفتحات التهوية.

يجب أن يكون غطاء الوقاية المترجم قابلاً للمركبة بطلاقة وللإغلاق من تلقاء نفسه دائماً. حافظ لأجل ذلك دائماً على نظافة النطاق الموجود حول غطاء الوقاية المتأرجح. قم بإزالة الغبار والنشارة باستخدام فرشاة.

أنصال المنشار غير المطلية يمكن حمايتها من التآكل عن طريق طبقة رقيقة من الزيت غير المحتوي على أمضاض. امسح الزيت قبل البدء بالشغل وإلا فقد يتسخ الخشب بالبقع.

إن بقايا الزاتنج والغراء على نصال المنشار تؤدي إلى القطوع الرديئة، لذلك ينبغي تنظيف نصل المنشار فوراً بعد الاستعمال.

إذا تطلب الأمر استبدال خط الإمداد، فينبغي أن يتم ذلك من قبل شركة Bosch أو من قبل مركز خدمة الزبائن المعتمد لشركة Bosch للعدد الكهربائية، لتجنب التعرض للمخاطر.

خدمة العملاء واستشارات الاستخدام

يجيب مركز خدمة العملاء على الأسئلة المتعلقة بإصلاح المنتج وصيانته، بالإضافة لقطع الغيار. تجد الرسوم التفصيلية والمعلومات الخاصة بقطع الغيار في الموقع: www.bosch-pt.com

يسر فريق Bosch لاستشارات الاستخدام مساعدتك إذا كان لديك أي استفسارات بخصوص منتجاتنا وملحقاتها.

يلزم ذكر رقم الصنف ذو الخانات العشر وفقاً للوحة صنع المنتج عند إرسال أية استفسارات أو طلبيات قطع غيار.

الجزائر

سيستال
منطقة الحدادين الصناعية
06000 بناية

هاتف: +213 (0) 982 400 991/2

فاكس: +213 (0) 3 420 1569

بريد إلكتروني: sav@siestal-dz.com

البحرين

شركة الجفلي وإخوانه للمعدات الفنية.
مملكة البحرين، العكر - بلوك 0624 - شارع 2403 -
مبنى 0055D

الهاتف: +97317704537

فاكس: +973177045257

البريد الإلكتروني: h.berjas@eajb.com.sa

مصر

RBEG-LLC

22 كمال الدين حسين

شيراتون هليوبوليس

الرياض: 00966 (0) 11 409 3976 -
داخلي-34/30
الدمام: 00966 (0) 13 833 9565
البريد الإلكتروني: M.Zreik@ejb.com.sa

سوريا

مؤسسة دلال للمعدات الكهربائية
دمشق. شارع البرامكة - شارع بن عامر
هاتف: +963112241006 أو 009631122414009
الجوال: 00963991141005
البريد الإلكتروني: rita.dallal@hotmail.com

تونس

روبرت بوش تونس ش.ذ.م.م
7 زنقة ابن بطوطة Z.I. سان جوبان
مقرين رياض
2014 ابن عروس
هاتف: +216 71 427 496/879
فاكس: +216 71 428 621
بريد إلكتروني: sav.outillage@tn.bosch.com

الإمارات العربية المتحدة

المركزية للسيارات والمعدات،
صندوق بريد 26255، دبي
دبي: 00971 (0) 4 3090920/3090930
أبو ظبي: 00971 (0) 2 4017745
الشارقة: 00971 (0) 6 5932777
العين: 00971 (0) 3 7157419
البريد الإلكتروني:
Mallappa.Madari@centralmotors.ae

اليمن

مؤسسة أبو الرجال التجارية
صنعا، شارع الزبيري. أمام مبنى البرلمان الجديد
هاتف: +967-1-202010
فاكس: +967-1-471917
بريد إلكتروني: tech-tools@abualrejal.com
yahya@abualrejal.com

التخلص من العدة الكهربائية

ينبغي تسليم العدد الكهربائية والتوابع والعبوة إلى
مركز معالجة النفايات بطريقة محافظة على البيئة.

لا ترم العدد الكهربائية ضمن النفايات
المنزلية.



فقط لدول الاتحاد الأوروبي:

حسب التوجيه الأوروبي EU/2012/19/2012 بصدد الأجهزة
الكهربائية والإلكترونية القديمة وتطبيقه ضمن
القانون المحلي، ينبغي جمع العدد الكهربائية التي لم
تعد صالحة للاستعمال بشكل منفصل، وتسليمها لمركز
يقوم بإعادة استغلالها بطريقة محافظة على البيئة.

11799 القاهرة

البريد الإلكتروني:

boschegypt.powertools@eg.bosch.com

العراق

Sahba Technology Group

شارع مطار المثنى

بغداد

هاتف بغداد: +964 (0) 7 901 930366

هاتف دبي: +971 (0) 4 422 1898

البريد الإلكتروني: duraid@sahbatechnology.com

الأردن

شركة الجذور العربية Roots Arabia - الأردن

شارع الحرية، المقابيلين

عمان 11623، الأردن

صندوق بريد: 110068

هاتف: +962 6 4398990

البريد الإلكتروني: bosch@rootsjordan.com

الكويت

منطقة الشويخ الصناعية، مبنى 1، قطعة 16، شارع
رقم 3

صندوق بريد صندوق 164 - 13002 الصفاة

هاتف: 24810844

فاكس: 24810879

بريد إلكتروني: josephkr@aaalmutawa.com

لبنان

طحيني هنا وشركاه ش.ذ.م.م.

صندوق بريد صندوق 449-90

جديده

الدورة-بيروت

هاتف: +9611255211

بريد إلكتروني: service-pt@tehini-hana.com

المغرب

Robert Bosch Morocco SARL

53، شارع الملازم محمد محرو

20300 الدار البيضاء

الهاتف: +212 5 29 31 43 27

البريد الإلكتروني: sav.outillage@ma.bosch.com

عمان

ملتن للتجارة والمقاولات ش.م.م

صندوق بريد 131، روى، مسقط

الكود البريدي: 112، سلطنة عمان

هاتف: +968 2479 4035/4089/4901

جوال: +968-91315465

فاكس: +968 2479 4058

البريد الإلكتروني: sudhirkumar@malatan.net

قطر

الدولية لملول البناء ش.م.م

صندوق بريد صندوق 51،

هاتف الدوحة: +974 40065458

فاكس: +974 4453 8585

بريد إلكتروني: csd@icsdoha.com

المملكة العربية السعودية

شركة الجفلي للمعدات الفنية (جيتكو)

صندوق بريد: 1049 - جدة 21431 - المملكة العربية

السعودية

جدة: 00966 (0) 12 692 0770 - داخلي 433

مناسب برای محیط باز، خطر برق گرفتگی را کم می کنند.

◀ در صورت لزوم کار با ابزار برقی در محیط و اماکن مرطوب، باید از یک کلید حفاظتی جریان خطا و نشستی زمین (کلید قطع کننده اتصال با زمین) استفاده کنید. استفاده از کلید حفاظتی جریان خطا و نشستی زمین خطر برق گرفتگی را کاهش می دهد.

رعایت ایمنی اشخاص

◀ حواس خود را خوب جمع کنید، به کار خود دقت کنید و با فکر و هوشیاری کامل با ابزار برقی کار کنید. در صورت خستگی و یا در صورتی که مواد مخدر، الکل و دارو استفاده کرده‌اید، با ابزار برقی کار نکنید. یک لحظه بی توجهی هنگام کار با ابزار برقی، میتواند جراثم های شدیدی به همراه داشته باشد.

◀ از تجهیزات ایمنی شخصی استفاده کنید. همواره از عینک ایمنی استفاده نمایید.

استفاده از تجهیزات ایمنی مانند ماسک ضد گرد و غبار، کفشهای ایمنی ضد لغزش، کلاه ایمنی و گوشی محافظ متناسب با نوع کار با ابزار برقی، خطر مجروح شدن را کاهش میدهد.

◀ مواظب باشید که ابزار برقی بطور ناخواسته بکار نیفتد. قبل از وارد کردن دوشاخه دستگاه در پریز برق، اتصال آن به باتری، برداشتن آن و یا حمل دستگاه، باید دقت کنید که ابزار برقی خاموش باشد. در صورتی که هنگام حمل دستگاه انگشت شما روی دکمه قطع و وصل باشد و یا دستگاه را در حالت روشن به برق بزنید، ممکن است سوانع کاری پیش آید.

◀ قبل از روشن کردن ابزار برقی، همه ابزارهای تنظیم کننده و آپارها را از روی دستگاه بردارید. ابزار و آپارهایی که روی بخش های چرخنده دستگاه قرار دارند، میتوانند باعث ایجاد جراثم شوند.

◀ وضعیت بدن شما باید در حالت عادی قرار داشته باشد. برای کار جای مطمئنی برای خود انتخاب کرده و تعادل خود را همواره حفظ کنید. به این ترتیب میتوانید ابزار برقی را در وضعیتهای غیر منتظره بهتر تحت کنترل داشته باشید.

◀ لباس مناسب بپوشید. از پوشیدن لباسهای گشاد و حمل زینت آلات خودداری کنید. موها و لباس خود را از بخشهای در حال چرخش دستگاه دور نگه دارید. لباسهای گشاد، موی بلند و زینت آلات ممکن است در قسمتهای در حال چرخش دستگاه گیر کنند.

◀ در صورتی که تجهیزاتی برای اتصال وسائل مکش گرد و غبار و یا وسیله جمع کننده گرد و غبار ارائه شده است، باید مطمئن شوید که این وسائل درست نصب و استفاده می شوند. استفاده از وسائل مکش گرد و غبار مصونیت شما را در برابر گرد و غبار زیاده تر میکند.

◀ آشنایی با ابزار به دلیل کار کردن زیاد با آن نباید باعث سهل انگاری شما و نادیده گرفتن اصول ایمنی شود. بی دقتی ممکن است باعث بروز جراحاتی در عرض کسری از ثانیه شود.

فارسی

دستورات ایمنی

نکات ایمنی عمومی برای ابزارهای برقی

⚠ هشدار کلیه هشدارها، دستورالعملها، تصاویر و

مشخصات ارائه شده به همراه ابزار برقی را مطالعه کنید. اشتباهات ناشی از عدم رعایت این دستورات ایمنی ممکن است باعث برق گرفتگی، سوختگی و یا سایر جراثم های شدید شود.

کلیه هشدارهای ایمنی و راهنماییها را برای آینده خوب نگهداری کنید.

عبارت «ابزار برقی» در هشدارها به ابزارهایی که به پریز برق متصل میشوند (با سیم برق) و یا ابزارهای برقی باتری دار (بدون سیم برق) اشاره دارد.

ایمنی محل کار

◀ محیط کار را تمیز و روشن نگه دارید. محیطهای در هم ریخته یا تاریک احتمال بروز حادثه را افزایش میدهند.

◀ ابزار برقی را در محیطهایی که خطر انفجار وجود دارد و حاوی مایعات، گازها و بخارهای متحرکه هستند، به کار نگیرید. ابزارهای برقی چرخههایی ایجاد میکنند که میتوانند باعث آتش گرفتن گرد و غبارهای موجود در هوا شوند.

◀ هنگام کار با ابزار برقی، کودکان و سایر افراد را از دستگاه دور نگه دارید. در صورتیکه حواس شما پرت شود، ممکن است کنترل دستگاه از دست شما خارج شود.

ایمنی الکتریکی

◀ دوشاخه ابزار برقی باید با پریز برق تناسب داشته باشد. هیچگونه تغییری در دوشاخه ایجاد نکنید. مبدل دوشاخه نباید همراه با ابزار برقی دارای اتصال زمین استفاده شود. دوشاخههای اصل و تغییر داده نشده و پریزهای مناسب، خطر برق گرفتگی را کاهش میدهند.

◀ از تماس بدنی با قطعات متصل به سیم اتصال زمین مانند لوله، شوفاژ، آجاق برقی و یخچال خودداری کنید. در صورت تماس بدنی با سطوح و قطعات دارای اتصال به زمین و همچنین تماس شما با زمین، خطر برق گرفتگی افزایش می یابد.

◀ ابزارهای برقی را در معرض باران و رطوبت قرار ندهید. نفوذ آب به ابزار برقی، خطر شوک الکتریکی را افزایش میدهد.

◀ از سیم دستگاه برای مقاصد دیگر استفاده نکنید. هرگز برای حمل ابزار برقی، کشیدن آن یا خارج کردن دوشاخه از سیم دستگاه استفاده نکنید. کابل دستگاه را از حرارت، روغن، لیبهای تیز یا قطعات متحرک دور نگه دارید. کابلهای آسیب دیده و یا گره خورده خطر شوک الکتریکی را افزایش میدهند.

◀ هنگام استفاده از ابزار برقی در محیطهای باز، تنها از کابل رابطی استفاده کنید که برای محیط باز نیز مناسب باشد. کابل های رابط

◀ هرگز زیر قطعه کار را نگیرید. قاب محافظ قادر به محافظت شما از آسیب دزدگی توسط تیغه اره در ناحیه زیر قطعه کار نمیباشد.

◀ میزان عمق برش را با ضخامت قطعه کار متناسب و تنظیم کنید. کمتر از ارتفاع یک دندان کامل تیغه اره باید از زیر قطعه کار قابل رؤیت باشد.

◀ هرگز قطعه کار را هنگام برش در دستها یا روی پای خود نگه ندارید. قطعه کار را به وسیله یک قرارگاه و یا سکوی محکم، تثبیت کنید. مهم است که قطعه کار به خوبی مهار شده باشد تا خطر تماس بدنی، گیر کردن تیغه اره و یا از دست دادن کنترل کاهش یابد.

◀ در صورت انجام کارهایی که امکان برخورد با کابل‌های حامل جریان برق مخفی وجود دارد، ابزار برقی را از دسته عایق بگیرید. در صورت برخورد با یک کابل حامل "جریان برق" ممکن است قسمتهای فلزی ابزار برقی حامل "جریان برق" شوند و باعث برق گرفتگی کاربر گردند.

◀ هنگام برش همواره از یک راهنمای برش و یا راهنمای برش مستقیم برای کنارها استفاده کنید. این کار باعث افزایش دقت میشود و احتمال شکستن تیغه را کاهش میدهد.

◀ همواره از تیغه‌های دارای اندازه و سوراخ نگهدارنده مناسب (مثلا شکل گرد یا لوزی) استفاده کنید. تیغه‌های که با قطعه‌های مونتاژ اره متناسب نباشند، به صورت غیر مدور حرکت میکنند و باعث از دست دادن کنترل میشوند.

◀ هرگز از پیچ یا واشر آسیب دیده یا نامناسب استفاده نکنید. واشرها و پیچهای مخصوص تیغه اره، برای دستیابی به عملکرد بهینه و ایمنی عملیات ساخته شده‌اند.

پس زدن دستگاه و هشدارهای ایمنی

- پس زدن نتیجه واکنش ناگهانی تیغه اره بلوکه شده، گیر کرده یا اشتباه هدایت شده است که باعث بلند شدن تیغه اره از قطعه کار و حرکت آن به سمت کاربر میشود؛

- چنانچه تیغه اره در شیار در حال بسته شدن تیغه اره گیر کند یا بلوکه شود، از کار میافتد و نیروی موتور، اره را به سمت کاربر پرت میکند؛

- در صورتیکه تیغه اره در محل برش بچرخد یا اشتباه هدایت شود، امکان گیر کردن دندانهای لبه عقبی تیغه اره در سطح قطعه کار وجود دارد که در این صورت تیغه اره از شیار بیرون میرود و به سمت کاربر پرت میشود.

پس زدن نتیجه استفاده نادرست از تیغه اره و/یا روشها یا شرایط کاری غیر صحیح است و با رعایت اقدامات ایمنی مناسب به شرح زیر میتوان از آن جلوگیری بعمل آورد.

◀ اره را با هر دو دست محکم بگیرید و بازوهای خود را در حالتی قرار دهید که قادر به کنترل نیروی پس زننده دستگاه باشید. همواره با دستگاه به نحوی کار کنید که بدن شما با تیغه اره در یک مسیر قرار نگیرد، بلکه در سطح جانبی، کنار تیغه اره قرار داشته باشد. پس زدن باعث جهش تیغه اره به عقب میشود، اما

استفاده صحیح از ابزار برقی و مراقبت از آن از وارد کردن فشار زیاد روی دستگاه

خودداری کنید. برای هر کاری، از ابزار برقی مناسب با آن استفاده کنید. بکار گرفتن ابزار برقی مناسب باعث میشود که بتوانید از توان دستگاه بهتر و با اطمینان بیشتر استفاده کنید.

◀ در صورت ابراد در کلید قطع و وصل ابزار برقی، از دستگاه استفاده نکنید. ابزار برقی که نمی توان آنها را قطع و وصل کرد، خطرناک بوده و باید تعمیر شوند.

◀ قبل از تنظیم ابزار برقی، تعویض متعلقات و یا کنار گذاشتن آن، دوشاخه را از برق بکشید و یا باتری آنرا خارج کنید. رعایت این اقدامات پیشگیری ایمنی از راه افتادن ناخواسته ابزار برقی جلوگیری می کند.

◀ ابزار برقی را در صورت عدم استفاده، از دسترس کودکان دور نگه دارید و اجازة ندهید که افراد ناوارد و یا اشخاصی که این دفترچه راهنما را نخوانده‌اند، با این دستگاه کار کنند. قرار گرفتن ابزار برقی در دست افراد ناوارد و بی تجربه خطرناک است.

◀ از ابزار برقی و متعلقات خوب مراقبت کنید. مواظب باشید که قسمت های متحرک دستگاه خوب کار کرده و گیر نکنند. همچنین دقت کنید که قطعات ابزار برقی شکسته و یا آسیب دیده نباشند. قطعات آسیب دیده را قبل از شروع به کار تعمیر کنید. علت بسیاری از سوانح کاری، عدم مراقبت کامل از ابزارهای برقی می باشد.

◀ ابزار برش را تیز و تمیز نگه دارید. ابزار برشی که خوب مراقبت شده و از لبه های تیز برخوردار است، کمتر در قطعه کار گیر کرده و بهتر قابل هدایت است.

◀ ابزار برقی، متعلقات، متنهاى دستگاه و غيره را مطابق دستورات این جزوه راهنما به کار گیرید و به شرایط کاری و نوع کار نیز توجه داشته باشید. استفاده از ابزار برقی برای عملیاتی به جز مقاصد در نظر گرفته شده، میتواند به بروز شرایط خطرناک منجر شود.


◀ دستها و سطوح عایق را همواره خشک، تمیز و عاری از روغن و گریس نگه دارید. دسته های لغزنده مانع ایمنی و کنترل در کار در شرایط غیر منتظره هستند.

سرویس

◀ برای تعمیر ابزار برقی فقط به متخصصین حرفهای رجوع کنید و از قطعات یدکی اصل استفاده نمایید. این باعث خواهد شد که ایمنی دستگاه شما تضمین گردد.

دستورات ایمنی برای اره‌های گردبر

فرایندهای برش

◀  دستهای خود را از محدوده برش و تیغه اره دور نگه دارید. با دست دیگر خود دسته کمکی و یا بدنه موتور را بگیرید. چنانچه با هر دو دست خود دستگاه اره را بگیرید، دستهای شما به وسیله تیغه اره آسیب نمیبینند.

خاک اره باعث کندي در عملکرد حفاظ ايمني پاييني تيغه ميشوند.

◀ **حفاظ ايمني پاييني فقط براي برشهاي خاص مانند "برشهاي جيبی" و "برشهاي ترکیبی" ميتواند بالا برده شود.** حفاظ ايمني پاييني را به وسيله اهرم بالا ببريد و به محض فرو رفتن تيغه اره در قطعه کار، اهرم را رها کنيد. هنگام ساير اره کارها، حفظ ايمني پاييني بايد به صورت اتوماتيك عمل کند.

◀ **قبل از قرار دادن اره برروي ميز کار و يا روی زمين، مطمئن شويد حفاظ ايمني پاييني روی تيغه اره را پوشانده است.** تيغه اره بدون حفاظ و در حال چرخش باعث عقب راندن اره ميشود و هر آنچه را که سر رانش قرار بگيرد، ميبرد. به مدت زمان لازم براي متوقف شدن تيغه اره بعد از رها شدن کلید، توجه داشته باشيد.

ساير راهنمايهاي ايمني

◀ **دستههای خود را به محل خروج تراشه نزديک نکنيد.** ممکن است، خود را با قسمتهای در حال چرخش مجروح کنيد.

◀ **با اره بالای سرتان کار نکنيد.** اينگونه کنترل کافي روی ابزار برقی نداريد.

◀ **برای پيدا کردن لوله ها و سيم های پنهان موجود در ساختمان و محدوده کار، از یک دستگاه ردياب مخصوص برای يافتن لوله ها و سيمهای تاسيسات استفاده کنيد و يا با شرکت های کارهای تاسيسات ساختمان و خدمات مربوطه تماس بگيريد.** تماس با کابل و سيمهای برق ممکن است باعث آتشسوزی و يا برق گرفتگی شود. ايراد و آسیب دیدگی لوله گاز ميتواند باعث انفجار شود. سوراخ شدن لوله آب، باعث خسارت و يا برق گرفتگی ميشود.

◀ **ابزار برقی را هنگام کار با دو دست محکم بگيريد و وضعيت خود را ثابت و مطمئن کنيد.** ابزار برقی با دو دست مطمئن تر هدايت می شود.

◀ **از ابزار برقی به صورت نصب شده استفاده نکنيد.** ابزار برقی برای کار روی ميز اره مناسب نيست.

◀ **هنگام انجام "برش عمقی" که به صورت عمودی انجام نمی شود، صفحه راهنمای اره را در برابر حرکت جانی ایمن کنيد.** حرکت جانی ممکن است منجر به گیر کردن تيغه اره و ضربه به عقب شود.

◀ **قطعه کار را محکم کنيد.** در صورتیکه قطعه کار به وسيله تجهيزات نگه دارنده و يا بوسيله گیره محکم شده باشد، قطعه کار مطمئن تر نگه داشته ميشود، تا اينکه بوسيله دست نگه داشته شود.

◀ **قبل از کنار گذاشتن ابزار برقی صبر کنيد تا دستگاه بطور کامل از کار و حرکت بایستد.** ابزار ممکن است به قطعه کار گیر کرده و کنترل ابزار برقی از دست شما خارج شود.

◀ **از تيغه ارههای فولادی HSS استفاده نکنيد.** اينگونه تيغه های اره ممکن است سريع بشکنند.

◀ **فلزات آهنی را اره نکنيد.** تراشههای گداخته ميتوانند باعث آتشسوزی در مکنده گرد و غبار شوند.

کاربر دستگاه می تواند با اقدامات ايمني مناسب و با رعايت احتیاط بر اين گونه نیروها مسلط باشد.

◀ **در صورت گیر کردن تيغه اره و يا متوقف ساختن کارتان به سر دليلی، دستگاه را خاموش نموده و اره را ثابت نگه داريد تا تيغه اره کاملاً متوقف شود.** هرگز تا زمانی که تيغه اره در حال چرخش است، سعی نکنيد آنرا از داخل قطعه کار خارج کنيد و يا اره را به عقب بکشيد، در غير اين صورت امکان پس زدن و ضربه برگشتی وجود دارد. علت گیر کردن تيغه اره را جستجو کرده و آنرا برطرف کنيد.

◀ **هنگام روشن کردن مجدد اره در داخل قطعه کار، تيغه اره را در وسط شکاف برش قرار دهيد، به طوری که دندانهای تيغه اره در قطعه کار درگیر نشود.** در صورت گیر کردن تيغه اره، ممکن است هنگام روشن کردن مجدد دستگاه، تيغه اره از قطعه کار بيرون بيايد يا پس بزند.

◀ **سطوح و قطعات بزرگ را خوب مهار کنيد تا خطر پس زدن و يا گیر کردن تيغه اره کاهش يابد.** قطعات پهن و بزرگ ممکن است تحت تأثیر وزن خود خم شوند. از اينرو بايد در دو طرف قطعه کار، هم در نزديکی خط برش و هم در نزديکی لبه قطعه، تکیهگاه قرار داده شود.

◀ **از به کار بردن تيغههای کند يا آسیب دیده خودداری کنيد.** تيغههای کند اره يا درست قرار نگرفتن آنها، باعث ايجاد یک شکاف برش تنگ و در نتيجه منجر به افزايش اصطکاک، گیر کردن تيغه اره و پس زدن دستگاه ميشوند.

◀ **قبل از شروع اره کاری، نخست اهرمهای مهار تنظيم عمق و تنظيم زاويه برش را محکم کنيد.** چنانچه تنظيمات در حين اره کاری تغيير يابند، امکان گیر کردن تيغه اره و ضربه برگشتی دستگاه وجود دارد.

◀ **هنگام ارهکاری درون ديوارهای موجود يا ساير نفاذ کور بيشتتر احتیاط کنيد.** تيغه اره فرو رفته ميتواند در اجسام کج شده، گیر کند و باعث پس زدن شود.

عملکرد حفاظ پايینی

◀ **قبل از هر بار استفاده، کنترل کنيد که حفاظ ايمني پايینی تيغه اره (حفاظ ايمني خودکار) بخوبی بسته شود.** چنانچه حفاظ ايمني پايینی آزادانه حرکت نميکند و يا فوراً بسته نميشود، اره را مورد استفاده قرار ندهيد. هرگز حفاظ ايمني پايینی تيغه را در وضعيت باز مهار نکنيد و يا آنرا با وسيلههای نيندديد، چنانچه اره به طور اتفاقی سقوط کند، ممکن است حفاظ ايمني پايینی تيغه خميده و کج شود. با استفاده از اهرم برگشت پذير، قاب محافظ پايینی را بالا ببريد و مطمئن شويد که آزادانه حرکت ميکند و در کليه زوایا و عمقهای برش، با تيغه اره و ساير قسمتها برخورد نميکند.

◀ **عملکرد فنر حفاظ ايمني پايینی تيغه را کنترل کنيد.** چنانچه حفاظ ايمني و فنر آن به درستی عمل نميکنند، پيش از به کار بردن دستگاه اره، آنها را سرويس و تعمير کنيد. قطعات آسیب دیده، رسوبات چسبنده و يا تجمع تراشه و

از ماسک ایمنی تنفس در برابر گرد و غبار استفاده کنید.

(24) گیره پیچی^B

(A) کلیه متعلقاتی که در تصویر و یا در متن آمده است، بطور معمول همراه دستگاه ارائه نمی شود. لطفا لیست کامل متعلقات را از فهرست برنامه متعلقات اقتباس نمایید.

(B) معمول در بازار (در محتویات ارسالی موجود نیست)

مشخصات فنی

GKS 140		اره گردبر
3 601 FB30..		شماره فنی
1400	W	قدرت ورودی نامی
6200	⁻¹ min	سرعت در حالت آزاد
بیشینه عمق برش با قطر 184 میلیمتر		
64	میلیمتر	- برای زاویه ی فارسی °0
45	میلیمتر	- برای زاویه ی فارسی °45
● قفل کننده محور دستگاه		
x 150 290	میلیمتر	اندازه های صفحه پایه
184	میلیمتر	کمینه/بیشینه قطر تیغه اره
2,0	میلیمتر	حداکثر ضخامت تیغه اره
20	میلیمتر	قطر سوراخ میانی تیغه
3,7	kg	وزن مطابق استاندارد EPTA-Procedure 01:2014
/ کلاس ایمنی		

مقادیر برای ولتاژ نامی [U] 230 ولت میباشد. برای ولتاژهای مختلف و تولیدات مخصوص کشورها، ممکن است این مقادیر متفاوت باشند. مراحل راهاندازی باعث تولید کاهش ولتاژ کوتاه مدت میشوند. در صورت وجود شرایط نامناسب ممکن است، سایر دستگاهها دچار اختلال شوند. در صورت مقاومت شبکه کمتر از 1,539 اهم انتظار بروز اختلال نمی رود.

توضیحات محصول و کارکرد

همه دستورات ایمنی و راهنماییها را بخوانید. اشتباهات ناشی از عدم رعایت این دستورات ایمنی ممکن است باعث برقگرفتگی، سوختگی و یا سایر جراحات های شدید شود.



به تصویرهای واقع در بخشهای اول دفترچه راهنما توجه کنید.

موارد استفاده از دستگاه

این ابزار برقی برای برش های طولی و عرضی قطعات چوبی با مسیر برش مستقیم و همچنین برش های زاویه دار (زاویه فارسی بر)، در حالیکه دستگاه بطور محکم بر روی قطعه کار قرار گرفته باشد، در نظر گرفته شده است.

اجزاء دستگاه

شماره های اجزاء دستگاه که در تصویر مشاهده میشود، مربوط به شرح ابزار برقی می باشد که تصویر آن در این دفترچه آمده است.

- (1) کلید قطع و وصل
- (2) کلید ایمنی برای قفل کردن کلید قطع و وصل
- (3) دسته کمکی (دسته عایق)^(A)
- (4) دکمه قفل محور
- (5) درجه بندی زاویه فارسی بر
- (6) پیچ پروانه ای برای انتخاب زاویه فارسی بر
- (7) پیچ پروانه ای برای خط کش راهنمای موازی
- (8) علامت برش °45
- (9) علامت برش °0
- (10) خط کش راهنمای موازی
- (11) حفاظ ایمنی (قاب محافظ) خودکار (متحرک)
- (12) کفی (صفحه پایه)
- (13) اهرم جابجائی و تنظیم حفاظ ایمنی خودکار
- (14) محل خروج تراشه و خاک اره
- (15) قاب محافظ
- (16) دسته (دارای سطح عایق)
- (17) آچار آلن
- (18) پیچ مهار با واشر
- (19) فلانژ مهار (مهره رو)
- (20) تیغه اره گردبر^(A)
- (21) محور اره با فلانژ گیرنده
- (22) اهرم مهار برای انتخاب عمق برش
- (23) درجه بندی عمق برش

نصب

◀ فقط از تیغه های اره ای استفاده کنید که حداکثر سرعت مجاز آنها از سرعت در حالت آزاد (بدون بار) ابزار برقی شما بیشتر باشد.

نحوه جاگذاری/ تعویض تیغه اره

◀ پیش از انجام هرگونه کاری بر روی ابزار الکتریکی، دو شاخه اتصال آنرا از داخل پریز برق بیرون بکشید.

◀ به هنگام مونتاژ تیغه اره از دستکش ایمنی استفاده کنید. در تماس با تیغه اره خطر آسیب بدیگی و جراحت وجود دارد.

◀ فقط از تیغه های اره ای استفاده کنید که دارای مشخصات و ارقام فنی مندرج در این دفترچه راهنما باشند و طبق استاندارد EN 847-1 کنترل و آزمایش شده و مطابق آن علامتگذاری شده باشند.

◀ به هیچ وجه از صفحه سنگ بعنوان متعلقات برش استفاده نکنید.

نصب تیغه اره (رجوع شود به تصویر A)

برای تعویض ابزار و متعلقات، بهتر است ابزار برقی را بر روی پیشانی (سطح خارجی) بدنه موتور قرار بدهید.

- دکمه قفل کننده (4) را فشار دهید و آن را فشرده نگه دارید.

◀ دکمه قفلکننده (4) را فقط در صورت توقف کامل محور دستگاه فشار دهید. در غیر اینصورت امکان آسیب دیدن ابزار برقی وجود دارد.

- با آچار آلن (17) پیچ مهار (18) را در جهت ① بیرون بکشید.

- پیچ پاندولی (11) را به عقب برانید و آن را محکم نگهدارید.

- فلائز مهار (19) و تیغه اره (20) را از محور اره با فلائز گیرنده (21) جدا کنید.

انتخاب تیغه اره

لیستی از تیغه اره های توصیه شده را در انتهای این دفترچه می یابید.

نصب تیغه اره (رجوع شود به تصویر A)

برای تعویض ابزار و متعلقات، بهتر است ابزار برقی را بر روی پیشانی (سطح خارجی) بدنه موتور قرار بدهید.

- تیغه اره (20) و تمام قسمتهای مهار را تمیز کنید.

- پیچ پاندولی (11) را به عقب برانید و آن را محکم نگهدارید.

- تیغه اره (20) را روی محوره اره با فلائز گیرنده (21) قرار دهید. جهت برش دندانها (جهت فلش روی تیغه اره) و فلش جهت چرخش روی قاب محافظ (15) بایستی با هم مطابقت داشته باشند.

- فلائز مهار (19) را قرار دهید و پیچ مهار (18) را در جهت چرخش ② ببچانید. به حالت نصب محور اره با فلائز گیرنده (21) و فلائز مهار (19) توجه کنید.

- دکمه قفل کننده (4) را فشار دهید و آن را فشرده نگه دارید.

- با آچار آلن (17) پیچ مهار (18) را در جهت چرخش ② بیرون بکشید. گشتاور سفت کردن بایستی 9-6 نیوتنمتر باشد، این برابر است با سفت کردن با دست بعلاوه ¼ چرخش.

مکش گرد، براده و تراشه

گرد و غبار موادی مانند رنگ های دارای سرب، بعضی از چوب ها، مواد معدنی و فلزات میتوانند برای سلامتی مضر باشند. دست زدن و یا تنفس کردن گرد و غبار ممکن است باعث بروز آلرژی و یا بیماری مجاری تنفسی شخص استفاده کننده و یا افرادی که در آن نزدیکی میباشند، بشود.

گرد و غبارهای مخصوصی مانند گرد و غبار درخت بلوط و یا درخت راش سرطان زا هستند، بخصوص ترکیب آنها با سایر موادی که برای کار بر روی چوب (کرومات، مواد برای محافظت از چوب) بکار برده میشوند. فقط افراد متخصص مجازند با موادی که دارای آزیست میباشند کار کنند.

- حتی الامکان از یک دستگاه مکش مناسب و درخور ماده (قطعه کار) استفاده کنید.

- توجه داشته باشید که محل کار شما از تهویه هوای کافی برخوردار باشد.

- توصیه میشود از ماسک تنفسی ایمنی با درجه فیلتر P2 استفاده کنید.

به قوانین و مقررات معتبر در کشور خود در رابطه با استفاده از مواد و قطعات کاری توجه کنید.

◀ از تجمع گرد و غبار در محل کار جلوگیری کنید. گرد و غبار می توانند به آسانی مشتعل شوند.

طرز کار با دستگاه

مشخص شده اند، می توان تحت ولتاژ 220 V
ولت نیز بکار برد.

نحوه روشن و خاموش کردن

◀ از فعال کردن کلید قطع و وصل بدون رها کردن دسته مطمئن شوید.

جهت راهاندازی ابزار برقی، ابتدا قفل کلید (2) را فعال کنید و سپس کلید قطع و وصل (1) را فشرده نگه دارید.

برای خاموش کردن ابزار برقی، کلید قطع و وصل (1) را رها کنید.

نکته: بنا به دلایل ایمنی، کلید قطع و وصل (1) را نمی توان تثبیت و قفل کرد، بلکه آنرا باید در حین کار همواره در حالت فشرده نگه داشت.

راهنمایهای عملی

◀ پیش از انجام هرگونه کاری بر روی ابزار الکتریکی، دوشاخه اتصال آنرا از داخل پریز برق بیرون بکشید.

تیغه های اره را در برابر ضربه و فشار محافظت کنید. ابزار برقی را با فشار کم و متعادل در جهت برش برانید. فشار زیاد از طول عمر ابزارها می کاهد و به ابزار برقی آسیب می رساند. قدرت برش و کیفیت برش عمدتاً به وضعیت و فرم دندانه های تیغه اره بستگی دارند. از این رو فقط از تیغه های اره تیز و متناسب با جنس قطعه کار مورد نظر استفاده کنید.

نحوه اره کردن چوب

انتخاب صحیح تیغه اره بر حسب نوع چوب، کیفیت چوب و اینکه برش طولی یا برش عرضی صورت میگیرد، انجام میشود.

در برش های طولی چوب کاج، تراشه های طولی و ماریج ایجاد میشود.

گرد و غبارهای درخت بلوط و راش برای سلامتی مضر هستند، به همین دلیل تنها با مکنده گرد و غبار کار کنید.

ارهکاری با ختکشی راهنمای موازی

(رجوع کنید به تصویر C)

ختکشی راهنمای موازی (10) برش دقیق در امتداد لبه قطعه کار یا برش نوارهای یکاندازه را فراهم می کند.

پیچ پروانه‌ای (7) را باز کنید و درجه بندی ختکشی راهنمای موازی (10) را در شیار صفحه پایه (12) برانید. عرض برش دلخواه را به عنوان مقدار درجه بندی روی علامت برش مربوط (9) یا (8) تنظیم کنید، رجوع کنید به بخش، «علامتهای برش». پیچ پروانه‌ای (7) را دوباره سفت کنید.

ارهکاری با نگهدارنده کمکی

(رجوع کنید به تصویر D)

برای کار بر روی قطعات بزرگ و یا برای برش لبه های مستقیم میتوان از یک شیئی مانند یک تخته باریک بعنوان خط کش راهنمای برش به این ترتیب استفاده کنید که آنرا به قطعه کار محکم کنید و اره گرد را با کفی آن در امتداد خط کش راهنمای کمکی حرکت دهید.

انواع عملکرد

◀ پیش از انجام هرگونه کاری بر روی ابزار الکتریکی، دوشاخه اتصال آنرا از داخل پریز برق بیرون بکشید.

تنظیم عمق برش (رجوع کنید به تصویر B)

◀ عمق برش را نسبت به ضخامت قطعه کار تنظیم کنید. بایستی کمتر از ارتفاع یک دندانه کامل تیغه اره از زیر قطعه کار قابل رؤیت باشد.

اهرم مهار (22) را باز کنید. برای برش با عمق کمتر، اره را از صفحه پایه (12) کنار بکشید، برای برش با عمق بیشتر، اره را به طرف صفحه پایه (12) برانید. اندازه عمق برش مورد نیاز را از روی جدول درجه بندی عمق برش تنظیم کنید. اهرم مهار (22) را دوباره سفت کنید.

چنانچه پس از باز کردن اهرم مهار (22) نتوانستید عمق برش را کاملاً تغییر دهید، اهرم مهار (22) را از اهرم دور کنید و آن را به طرف پایین برانید. اهرم مهار (22) را دوباره رها کنید. این عمل را تکرار کنید تا بتوان عمق برش مورد نظر را تنظیم نمود.

چنانچه پس از باز کردن اهرم مهار (22) نتوانستید عمق برش را به اندازه کافی تثبیت کنید، اهرم مهار (22) را از اهرم دور کنید و آن را به طرف بالا برانید. اهرم مهار (22) را دوباره رها کنید. این عمل را تکرار کنید تا بتوان عمق برش مورد نظر را تثبیت نمود.

تنظیم زاویه برش فارسی

بهرتر است ابزار برقی را روی طرف پیشانی قاب محافظ (15) قرار دهید.

پیچ پروانه‌ای (6) را باز کنید. اره را به پهلو بچلانید. اندازه دلخواه را روی درجه بندی (5) تنظیم کنید. پیچ پروانه‌ای (6) را دوباره سفت کنید.

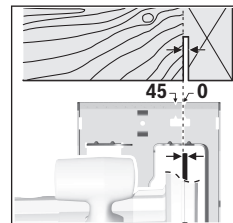
نکته: برای ابراشهای با زاویه فارسی، عمق برش کمتر از مقدار نشان داده شده روی درجه بندی عمق برش (23) است.

نحوه علامت گذاری های برش

علامت برش 0° (9) وضعیت تیغه اره را در برش با زاویه ی عمودی نشان می دهد. علامت برش 45° (8) وضعیت تیغه اره را در برش با زاویه ی 45° نشان می دهد.

برای انجام یک برش دقیق طبق اندازه، اره را

طبق تصویر بر روی قطعه کار قرار دهید. بهتر است یک برش آزمایشی انجام دهید.



راه اندازی و نحوه کاربرد دستگاه

◀ به ولتاژ شبکه برق توجه کنید! ولتاژ منبع جریان برق باید با مقادیر موجود بر روی پرچسب ابزار الکتریکی مطابقت داشته باشد. ابزارهای برقی را که با ولتاژ 230 V ولت

استفاده را جداگانه جمع آوری کرد و نسبت به باز یافت مناسب با محیط زیست اقدام بعمل آورد.

مراقبت و سرویس

مراقبت، تعمیر و تمیز کردن دستگاه

◀ پیش از انجام هرگونه کاری بر روی ابزار الکتریکی، دوشاخه اتصال آنرا از داخل پریز برق بیرون بکشید.

◀ ابزار الکتریکی و شیارهای تهویه آنرا تمیز نگاه دارید، تا ایمنی شما در کار تضمین گردد.

حفاظ ایمنی خودکار باید همواره آزادانه قابل حرکت باشد و بتواند بطور خودکار بسته شود. از اینرو محدوده حفاظ ایمنی خودکار را همیشه تمیز نگهدارید. گرد و غبار و تراشه ها را با یک قلم مو بردارید.

کاغذ سنباده های بدون پوشش می توانند با یک لایه ی روغن بدون اسید از زنگ زدگی محافظت شوند. پیش از اره کاری، روغن را پاک کنید، زیرا احتمال لک شدن چوب وجود دارد.

صمغ درخت و یا بقایای چسب چوب بر روی تیغه اره باعث کاهش کیفیت برش میشود. از اینرو تیغه اره را بلافاصله پس از استفاده تمیز کنید.

در صورت نیاز به یک کابل یدکی برای اتصال به شبکه برق، بایستی به شرکت **Bosch** و یا به نمایندگی مجاز **Bosch** (خدمات پس از فروش) برای ابزار آلات برقی مراجعه کنید تا از بروز خطرات ایمنی جلوگیری بعمل آید.

خدمات و مشاوره با مشتریان

خدمات مشتری، به سئوالات شما درباره تعمیرات، سرویس و همچنین قطعات یدکی پاسخ خواهد داد. نقشه های سه بعدی و اطلاعات مربوط به قطعات یدکی را در تارنمای زیر میابید:

www.bosch-pt.com

گروه مشاوره به مشتریان Bosch با کمال میل به سئوالات شما درباره محصولات و متعلقات پاسخ می دهند.

برای هرگونه سؤال و یا سفارش قطعات یدکی، حتماً شماره فنی 10 رقمی کالا را مطابق برچسب روی ابزار برقی اطلاع دهید.

ایران

روبرت بوش ایران - شرکت بوش تجارت پارس
میدان ونک، خیابان شهید خدای، خیابان آفتاب
ساختمان مادیران، شماره 3، طبقه سوم.
تهران 1994834571
تلفن: 42039000+9821

از رده خارج کردن دستگاه

ابزار برقی، متعلقات و بسته بندی آن، باید طبق مقررات حفظ محیط زیست از رده خارج و بازیافت شوند.

ابزارهای برقی را داخل زباله دان خانگی نیندازید!

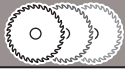


فقط برای کشورهای عضو اتحادیه اروپا:

طبق آئین نامه و دستورالعمل اروپائی 2012/19/EU در باره دستگاههای کهنه الکتریکی و الکترونیکی و تبدیل آن به حق ملی، باید ابزارهای برقی غیرقابل



1 600 A01 4HJ



optiline
WOOD



speedline
WOOD

fast
CUT






CONSTRUCT
WOOD

fast
CUT



CE

I

<p>en EU Declaration of Conformity</p> <p>Hand-held circular saw Article number</p>		<p>We declare under our sole responsibility that the stated products comply with all applicable provisions of the directives and regulations listed below and are in conformity with the following standards. Technical file at: *</p>	
<p>fr Déclaration de conformité UE</p> <p>Scie circulaire N° d'article</p>		<p>Nous déclarons sous notre propre responsabilité que les produits décrits sont en conformité avec les directives, règlements normatifs et normes énumérés ci-dessous. Dossier technique auprès de : *</p>	
<p>pt Declaração de Conformidade UE</p> <p>Serra circular manual N.º do produto</p>		<p>Declaramos sob nossa exclusiva responsabilidade que os produtos mencionados cumprem todas as disposições e os regulamentos indicados e estão em conformidade com as seguintes normas. Documentação técnica pertencente à: *</p>	
<p>GKS 140</p>	<p>3 601 FB3 0..</p>	<p>2006/42/EC 2014/30/EU 2011/65/EU</p>	<p>EN 62841-1:2015 EN 62841-2-5:2014 EN 55014-1:2006+A1:2009+A2:2011 EN 55014-2:2015 EN 61000-3-2:2014 EN 61000-3-11:2000 EN 50581:2012</p>
		<p> BOSCH</p>	
		<p>* Robert Bosch Power Tools GmbH (PT/ECS) 70538 Stuttgart GERMANY</p>	
		<p>Henk Becker Executive Vice President Engineering and Manufacturing</p> <p></p>	<p>Helmut Heinzelmann Head of Product Certification</p> <p></p>
<p>Robert Bosch Power Tools GmbH, 70538 Stuttgart, GERMANY Stuttgart, 16.11.2018</p>			