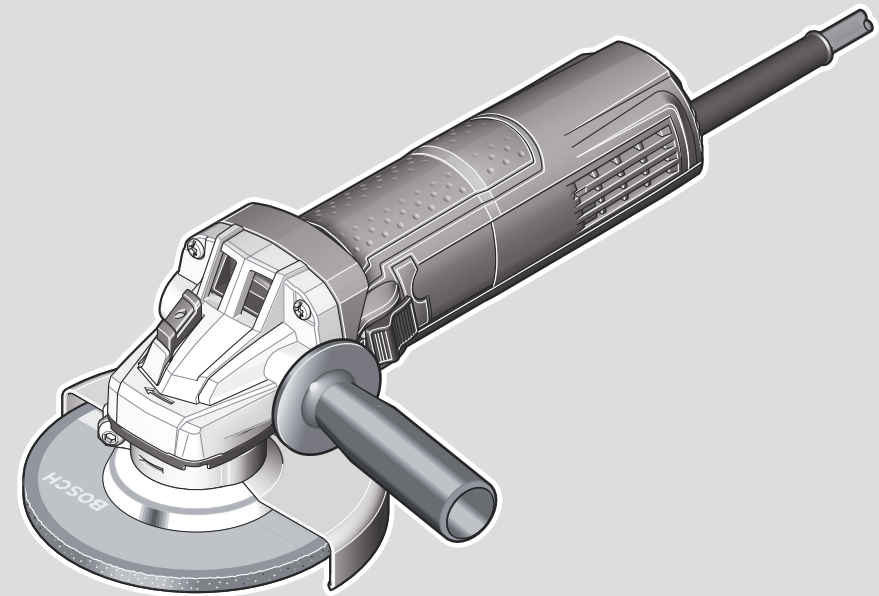




 **BOSCH**

GWS Professional HEAVY DUTY

900-100 | 900-125 S



Robert Bosch Power Tools GmbH
70538 Stuttgart
GERMANY

www.bosch-pt.com

1 609 92A 8YF (2023.08) 0 / 24



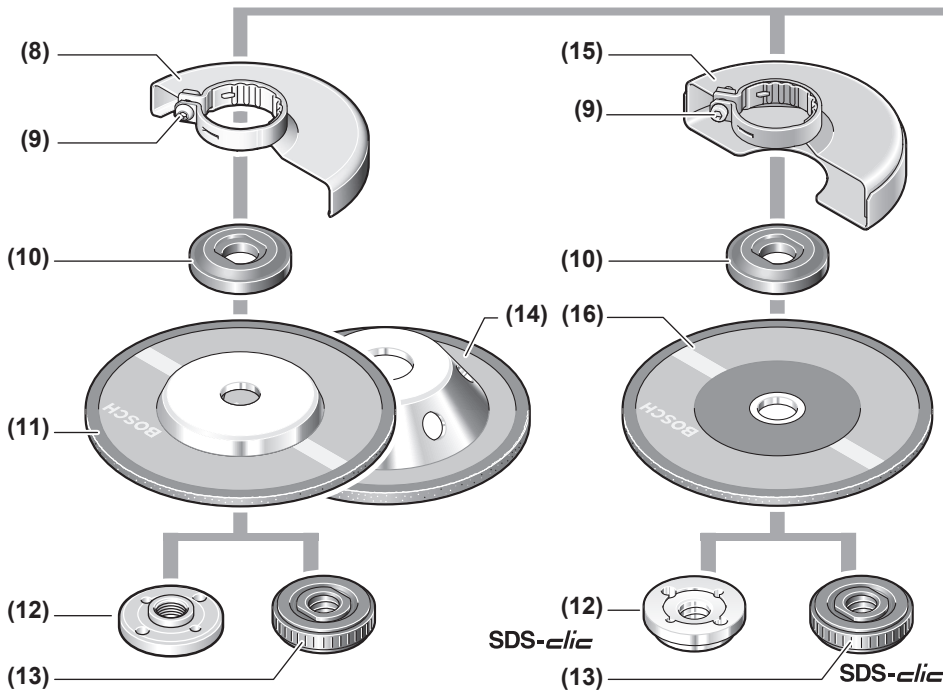
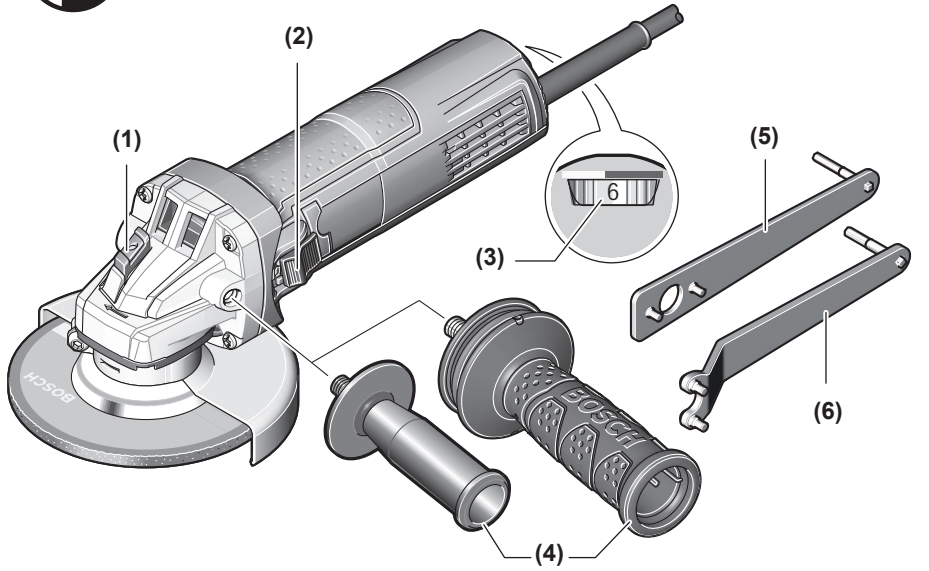
1 609 92A 8YF

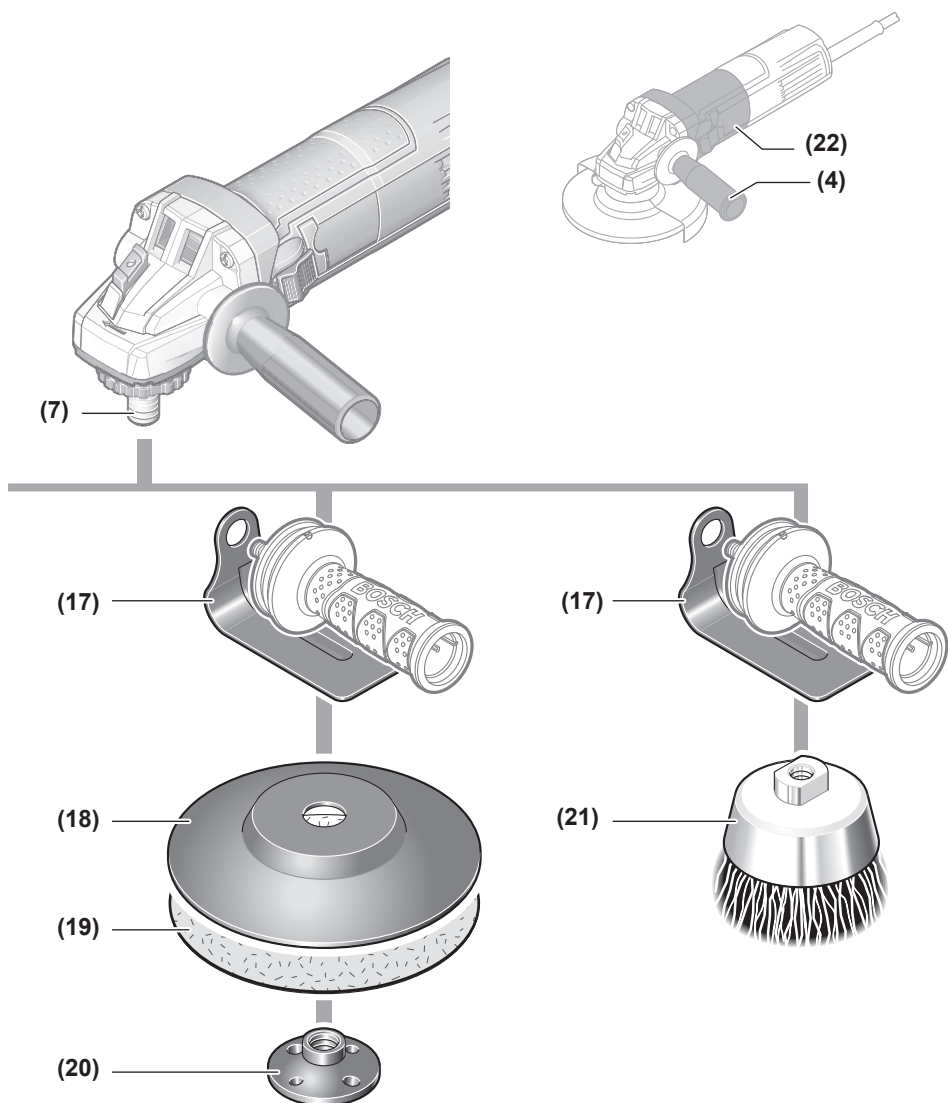
en Original instructions
hi मूल ऑपरेटिंग मैनुअल



English Page 6
हिंदी पेज 14







GWS 900-100
GWS 900-125 S

English

Safety Instructions

General Power Tool Safety Warnings

⚠ WARNING **Read all safety warnings and all instructions.** Failure to follow the warnings and instructions may result in electric shock, fire and/or serious injury.

Save all warnings and instructions for future reference.

The term "power tool" in the warnings refers to your mains-operated (corded) power tool or battery-operated (cordless) power tool.

Work area safety

- ▶ **Keep work area clean and well lit.** Cluttered or dark areas invite accidents.
- ▶ **Do not operate power tools in explosive atmospheres, such as in the presence of flammable liquids, gases or dust.** Power tools create sparks which may ignite the dust or fumes.
- ▶ **Keep children and bystanders away while operating a power tool.** Distractions can cause you to lose control.

Electrical safety

- ▶ **Power tool plugs must match the outlet. Never modify the plug in any way. Do not use any adapter plugs with earthed (grounded) power tools.** Unmodified plugs and matching outlets will reduce risk of electric shock.
- ▶ **Avoid body contact with earthed or grounded surfaces, such as pipes, radiators, ranges and refrigerators.** There is an increased risk of electric shock if your body is earthed or grounded.
- ▶ **Do not expose power tools to rain or wet conditions.** Water entering a power tool will increase the risk of electric shock.
- ▶ **Do not abuse the cord. Never use the cord for carrying, pulling or unplugging the power tool. Keep cord away from heat, oil, sharp edges or moving parts.** Damaged or entangled cords increase the risk of electric shock.
- ▶ **When operating a power tool outdoors, use an extension cord suitable for outdoor use.** Use of a cord suitable for outdoor use reduces the risk of electric shock.
- ▶ **If operating a power tool in a damp location is unavoidable, use a residual current device (RCD) protected supply.** Use of an RCD reduces the risk of electric shock.

Personal safety

- ▶ **Stay alert, watch what you are doing and use common sense when operating a power tool. Do not use a power tool while you are tired or under the influence of drugs, alcohol or medication.** A moment of inattention while operating power tools may result in serious personal injury.

- ▶ **Use personal protective equipment. Always wear eye protection.** Protective equipment such as dust mask, non-skid safety shoes, hard hat, or hearing protection used for appropriate conditions will reduce personal injuries.
- ▶ **Prevent unintentional starting. Ensure the switch is in the off-position before connecting to power source and/or battery pack, picking up or carrying the tool.** Carrying power tools with your finger on the switch or energising power tools that have the switch on invites accidents.
- ▶ **Remove any adjusting key or wrench before turning the power tool on.** A wrench or a key left attached to a rotating part of the power tool may result in personal injury.
- ▶ **Do not overreach. Keep proper footing and balance at all times.** This enables better control of the power tool in unexpected situations.
- ▶ **Dress properly. Do not wear loose clothing or jewellery. Keep your hair, clothing and gloves away from moving parts.** Loose clothes, jewellery or long hair can be caught in moving parts.
- ▶ **If devices are provided for the connection of dust extraction and collection facilities, ensure these are connected and properly used.** Use of dust collection can reduce dust-related hazards.

Power tool use and care

- ▶ **Do not force the power tool. Use the correct power tool for your application.** The correct power tool will do the job better and safer at the rate for which it was designed.
- ▶ **Do not use the power tool if the switch does not turn it on and off.** Any power tool that cannot be controlled with the switch is dangerous and must be repaired.
- ▶ **Disconnect the plug from the power source and/or the battery pack from the power tool before making any adjustments, changing accessories, or storing power tools.** Such preventive safety measures reduce the risk of starting the power tool accidentally.
- ▶ **Store idle power tools out of the reach of children and do not allow persons unfamiliar with the power tool or these instructions to operate the power tool.** Power tools are dangerous in the hands of untrained users.
- ▶ **Maintain power tools. Check for misalignment or binding of moving parts, breakage of parts and any other condition that may affect the power tool's operation. If damaged, have the power tool repaired before use.** Many accidents are caused by poorly maintained power tools.
- ▶ **Keep cutting tools sharp and clean.** Properly maintained cutting tools with sharp cutting edges are less likely to bind and are easier to control.
- ▶ **Use the power tool, accessories and tool bits etc. in accordance with these instructions, taking into account the working conditions and the work to be performed.**

formed. Use of the power tool for operations different from those intended could result in a hazardous situation.

Service

- ▶ **Have your power tool serviced by a qualified repair person using only identical replacement parts.** This will ensure that the safety of the power tool is maintained.

Safety Warnings for Angle Grinder

Safety Warnings common for Grinding, Sanding, Wire Brushing or Abrasive Cutting Off operations

- ▶ **This power tool is intended to function as a grinder, sander, wire brush or cut-off tool. Read all safety warnings, instructions, illustrations and specifications provided with this power tool.** Failure to follow all instructions listed below may result in electric shock, fire and/or serious injury.
- ▶ **Operations such as polishing are not recommended to be performed with this power tool.** Operations for which the power tool was not designed may create a hazard and cause personal injury.
- ▶ **Do not use accessories which are not specifically designed and recommended by the tool manufacturer.** Just because the accessory can be attached to your power tool, it does not assure safe operation.
- ▶ **The rated speed of the accessory must be at least equal to the maximum speed marked on the power tool.** Accessories running faster than their rated speed can break and fly apart.
- ▶ **The outside diameter and the thickness of your accessory must be within the capacity rating of your power tool.** Incorrectly sized accessories cannot be adequately guarded or controlled.
- ▶ **Threaded mounting of accessories must match the grinder spindle thread. For accessories mounted by flanges, the arbour hole of the accessory must fit the locating diameter of the flange.** Accessories that do not match the mounting hardware of the power tool will run out of balance, vibrate excessively and may cause loss of control.
- ▶ **Do not use a damaged accessory. Before each use inspect the accessory such as abrasive wheels for chips and cracks, backing pad for cracks, tear or excess wear, wire brush for loose or cracked wires. If power tool or accessory is dropped, inspect for damage or install an undamaged accessory. After inspecting and installing an accessory, position yourself and bystanders away from the plane of the rotating accessory and run the power tool at maximum no load speed for one minute.** Damaged accessories will normally break apart during this test time.
- ▶ **Wear personal protective equipment. Depending on application, use face shield, safety goggles or safety glasses. As appropriate, wear dust mask, hearing protectors, gloves and workshop apron capable of stopping small abrasive or workpiece fragments.** The eye protection must be capable of stopping flying debris gen-

erated by various operations. The dust mask or respirator must be capable of filtering particles generated by your operation. Prolonged exposure to high intensity noise may cause hearing loss.

- ▶ **Keep bystanders a safe distance away from work area. Anyone entering the work area must wear personal protective equipment.** Fragments of workpiece or of a broken accessory may fly away and cause injury beyond immediate area of operation.
- ▶ **Hold the power tool by insulated gripping surfaces only, when performing an operation where the cutting accessory may contact hidden wiring or its own cord.** Cutting accessory contacting a "live" wire may make exposed metal parts of the power tool "live" and could give the operator an electric shock.
- ▶ **Position the cord clear of the spinning accessory.** If you lose control, the cord may be cut or snagged and your hand or arm may be pulled into the spinning accessory.
- ▶ **Never lay the power tool down until the accessory has come to a complete stop.** The spinning accessory may grab the surface and pull the power tool out of your control.
- ▶ **Do not run the power tool while carrying it at your side.** Accidental contact with the spinning accessory could snag your clothing, pulling the accessory into your body.
- ▶ **Regularly clean the power tool's air vents.** The motor's fan will draw the dust inside the housing and excessive accumulation of powdered metal may cause electrical hazards.
- ▶ **Do not operate the power tool near flammable materials.** Sparks could ignite these materials.
- ▶ **Do not use accessories that require liquid coolants.** Using water or other liquid coolants may result in electrocution or shock.

Kickback and Related Warnings

Kickback is a sudden reaction to a pinched or snagged rotating wheel, backing pad, brush or any other accessory. Pinching or snagging causes rapid stalling of the rotating accessory which in turn causes the uncontrolled power tool to be forced in the direction opposite of the accessory's rotation at the point of the binding.

For example, if an abrasive wheel is snagged or pinched by the workpiece, the edge of the wheel that is entering into the pinch point can dig into the surface of the material causing the wheel to climb out or kick out. The wheel may either jump toward or away from the operator, depending on direction of the wheel's movement at the point of pinching. Abrasive wheels may also break under these conditions.

Kickback is the result of power tool misuse and/or incorrect operating procedures or conditions and can be avoided by taking proper precautions as given below.

- ▶ **Maintain a firm grip on the power tool and position your body and arm to allow you to resist kickback forces. Always use auxiliary handle, if provided, for maximum control over kickback or torque reaction**

during start-up. The operator can control torque reactions or kickback forces, if proper precautions are taken.

- ▶ **Never place your hand near the rotating accessory.** Accessory may kickback over your hand.
- ▶ **Do not position your body in the area where power tool will move if kickback occurs.** Kickback will propel the tool in direction opposite to the wheel's movement at the point of snagging.
- ▶ **Use special care when working corners, sharp edges etc. Avoid bouncing and snagging the accessory.** Corners, sharp edges or bouncing have a tendency to snag the rotating accessory and cause loss of control or kickback.
- ▶ **Do not attach a saw chain woodcarving blade or toothed saw blade.** Such blades create frequent kickback and loss of control.

Safety Warnings specific for Grinding and Abrasive Cutting-Off operations

- ▶ **Use only wheel types that are recommended for your power tool and the specific guard designed for the selected wheel.** Wheels for which the power tool was not designed cannot be adequately guarded and are unsafe.
- ▶ **The grinding surface of centre depressed wheels must be mounted below the plane of the guard lip.** An improperly mounted wheel that projects through the plane of the guard lip cannot be adequately protected.
- ▶ **The guard must be securely attached to the power tool and positioned for maximum safety, so the least amount of wheel is exposed towards the operator.** The guard helps to protect operator from broken wheel fragments, accidental contact with wheel and sparks that could ignite clothing.
- ▶ **Wheels must be used only for recommended applications. For example: do not grind with the side of cut-off wheel.** Abrasive cut-off wheels are intended for peripheral grinding, side forces applied to these wheels may cause them to shatter.
- ▶ **Always use undamaged wheel flanges that are of correct size and shape for your selected wheel.** Proper wheel flanges support the wheel thus reducing the possibility of wheel breakage. Flanges for cut-off wheels may be different from grinding wheel flanges.
- ▶ **Do not use worn down wheels from larger power tools.** Wheel intended for larger power tool is not suitable for the higher speed of a smaller tool and may burst.

Additional Safety Warnings specific for Abrasive Cutting Off operations

- ▶ **Do not "jam" the cut-off wheel or apply excessive pressure. Do not attempt to make an excessive depth of cut.** Overstressing the wheel increases the loading and susceptibility to twisting or binding of the wheel in the cut and the possibility of kickback or wheel breakage.
- ▶ **Do not position your body in line with and behind the rotating wheel.** When the wheel, at the point of operation, is moving away from your body, the possible kick-

back may propel the spinning wheel and the power tool directly at you.

- ▶ **When wheel is binding or when interrupting a cut for any reason, switch off the power tool and hold the power tool motionless until the wheel comes to a complete stop. Never attempt to remove the cut-off wheel from the cut while the wheel is in motion otherwise kickback may occur.** Investigate and take corrective action to eliminate the cause of wheel binding.
- ▶ **Do not restart the cutting operation in the workpiece. Let the wheel reach full speed and carefully re-enter the cut.** The wheel may bind, walk up or kickback if the power tool is restarted in the workpiece.
- ▶ **Support panels or any oversized workpiece to minimize the risk of wheel pinching and kickback.** Large workpieces tend to sag under their own weight. Supports must be placed under the workpiece near the line of cut and near the edge of the workpiece on both sides of the wheel.
- ▶ **Use extra caution when making a "pocket cut" into existing walls or other blind areas.** The protruding wheel may cut gas or water pipes, electrical wiring or objects that can cause kickback.

Safety Warnings specific for Sanding operations

- ▶ **Do not use excessively oversized sanding disc paper. Follow manufacturers recommendations, when selecting sanding paper.** Larger sanding paper extending beyond the sanding pad presents a laceration hazard and may cause snagging, tearing of the disc, or kickback.

Safety Warnings specific for Wire Brushing operations

- ▶ **Be aware that wire bristles are thrown by the brush even during ordinary operation. Do not overstress the wires by applying excessive load to the brush.** The wire bristles can easily penetrate light clothing and/or skin.
- ▶ **If the use of a guard is recommended for wire brushing, do not allow any interference of the wire wheel or brush with the guard.** Wire wheel or brush may expand in diameter due to work load and centrifugal forces.

Additional safety information

Wear safety goggles.



- ▶ **Use suitable detectors to determine if utility lines are hidden in the work area or call the local utility company for assistance.** Contact with electric lines can lead to fire and electric shock. Damaging a gas line can lead to explosion. Penetrating a water line causes property damage or may cause an electric shock.
- ▶ **Do not touch grinding and cutting discs until they have cooled down.** The discs can become very hot while working.
- ▶ **Release the On/Off switch and set it to the off position when the power supply is interrupted, e. g., in case of**

a power failure or when the mains plug is pulled. This prevents uncontrolled restarting.

- ▶ **Secure the workpiece.** A workpiece clamped with clamping devices or in a vice is held more secure than by hand.

Product Description and Specifications



Read all the safety and general instructions.

Failure to observe the safety and general instructions may result in electric shock, fire and/or serious injury.

Please observe the illustrations at the beginning of this operating manual.

Intended use

The power tool is intended for cutting, roughing and brushing metal and stone materials without the use of water.

A separate protective guard for cutting must be used when cutting with bonded abrasives.

Sufficient dust extraction must be provided when cutting stone.

With approved abrasive tools, the power tool can be used for sanding with sanding discs.

Product Features

The numbering of the product features refers to the diagram of the power tool on the graphics page.

Technical Data

Angle Grinder		GWS 900-100	GWS 900-125 S
Article number		3 601 C96 0..	3 601 C96 1..
Rated power input	W	900	900
Power output	W	450	450
Rated speed	min ⁻¹	11,000	11,000
Speed adjustment range	min ⁻¹	–	2800–11,000
Max. grinding disc diameter	mm	100	125
Grinding spindle thread		M 10	M 14
Max. thread length of grinding spindle	mm	22	22
Speed preselection		–	●
Restart Protection		–	●
Soft start		–	●
Weight according to EPTA-Procedure 01:2014			
– with low-vibration auxiliary handle	kg	2.0	2.0
– with standard auxiliary handle	kg	1.9	1.9
Protection class		□/II	□/II

The specifications apply to a rated voltage [U] of 230 V. These specifications may vary at different voltages and in country-specific models.

Values can vary depending upon the product and are subject to application and environmental conditions. For further information www.bosch-professional.com/wac.

- (1) Spindle lock button
- (2) On/off switch
- (3) Speed preselection thumbwheel (GWS 900-125 S)
- (4) Auxiliary handle (insulated gripping surface)
- (5) Combination wrench for M 14 grinding spindle^{a)}
- (6) Combination wrench for grinding spindle M 10^{a)}
- (7) Grinding spindle
- (8) Protective guard for grinding
- (9) Locking screw for protective guard
- (10) Mounting flange with O-ring
- (11) Grinding disc^{a)}
- (12) Clamping nut
- (13) Quick-clamping nut **SDS-clie**^{a)}
- (14) Carbide grinding head^{a)}
- (15) Protective guard for cutting^{a)}
- (16) Cutting disc^{a)}
- (17) Hand guard^{a)}
- (18) Rubber sanding pad^{a)}
- (19) Abrasive disc^{a)}
- (20) Round nut^{a)}
- (21) Cup brush^{a)}
- (22) Handle (insulated gripping surface)

a) **Accessories shown or described are not included with the product as standard. You can find the complete selection of accessories in our accessories range.**

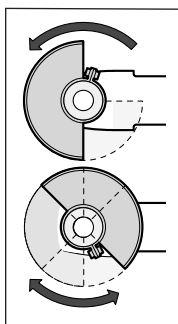
Assembly

Fitting Protective Equipment

- ▶ **Pull the plug out of the socket before carrying out any work on the power tool.**

Note: If the grinding disc breaks during operation or the holding fixtures on the protective guard/power tool become damaged, the power tool must be sent to the after-sales service immediately; see the "After-Sales Service and Application Service" section for addresses.

Protective guard for grinding



Place the protective guard (8) on the spindle collar. Adjust the position of the protective guard (8) to meet the requirements of the operation. Lock the protective guard (8) by tightening the locking screw (9) using the combination wrench (5)/(6).

- ▶ **Adjust the protective guard (8) such that sparking in the direction of the operator is prevented.**

Note: The coding cams on the protective guard (8) ensure that only a protective guard that is suitable for the power tool can be fitted.

Protective guard for cutting

- ▶ **Always use the protective guard for cutting (15) when cutting with bonded abrasives.**
- ▶ **Provide sufficient dust extraction when cutting stone.**

The protective guard for cutting (15) is fitted in the same way as the protective guard for grinding (8).

Side handle

- ▶ **Do not operate your power tool without the side handle (4).**
- ▶ **Do not continue to use the power tool if the auxiliary handle is damaged. Do not make any alterations to the auxiliary handle.**

Screw the side handle (4) on the left or right of the machine head depending on how you are working.

Low-vibration auxiliary handle



Screw the auxiliary handle (4) on the right or left of the machine head depending on the working method.

The low-vibration auxiliary handle reduces vibration, enabling the tool to be used safely and more comfortably.

- ▶ **Do not operate your power tool without the side handle (4).**

- ▶ **Do not make any alterations of any kind to the auxiliary handle.**

Do not continue to use a damaged auxiliary handle.

Hand guard

- ▶ **Always fit the hand guard (17) when working with the rubber sanding plate (18) or with the cup brush/disc brush/flap disc.**

Attach the hand guard (17) to the side handle (4).

Fitting the Abrasive Tools

- ▶ **Pull the plug out of the socket before carrying out any work on the power tool.**
- ▶ **Do not touch grinding and cutting discs until they have cooled down.** The discs can become very hot while working.

Clean the grinding spindle (7) and all the parts to be fitted.

Lock the grinding spindle with the spindle lock button (1) before clamping and releasing the abrasive tools.

- ▶ **Do not press the spindle lock button while the grinding spindle is moving.** The power tool may become damaged if you do this.

Grinding/cutting disc

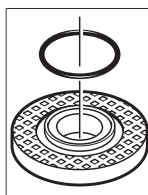
Pay attention to the dimensions of the abrasive tools. The diameter of the hole must match that of the mounting flange. Do not use an adapter or reducer.

When using diamond cutting discs, make sure that the direction of rotation arrow on the diamond cutting disc corresponds to the direction of rotation of the machine (see direction of rotation arrow on the housing).

See the graphics page for fitting instructions.

To secure the grinding/cutting disc, place the mounting flange with O-ring (10) on the grinding spindle (7) and screw on the clamping nut (12). Pay attention to the alignment of the clamping nut (12) depending on the grinding/cutting disc that is being used (see figures at the beginning of the operating manual), and tighten it with the combination wrench (see "Quick-clamping nut **SDS-clic**", page 11).

- ▶ **After fitting the abrasive tool, check that the abrasive tool is fitted correctly and can turn freely before switching on the power tool. Make sure that the abrasive tool does not brush against the protective guard or other parts.**



A plastic part (O-ring) is fitted around the centring collar in the mounting flange (10). **If the O-ring is missing or damaged**, the mounting flange (10) must be replaced before operation can resume.

Mounting flange for grinding spindle M10:

The mounting flange can be used on both sides.

Flap disc

- ▶ Always fit the hand guard (17) when working with the flap disc.

Rubber sanding pad

- ▶ Always fit the hand guard (17) when working with the rubber sanding pad (18).

See the graphics page for fitting instructions.

Screw on the round nut (20) and tighten it with the combination wrench (5)/(6).

Cup brush/disc brush

- ▶ Always fit the hand guard (17) when working with the cup brush or disc brush.

See the graphics page for fitting instructions.

The cup brush/disc brush must be screwed onto the grinding spindle until it rests firmly against the grinding spindle flange at the end of the grinding spindle thread. Tighten the cup brush/disc brush with an open-ended spanner.

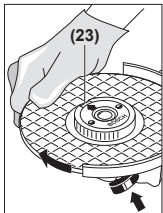
Quick-clamping nut SDS-*clik*

To change the abrasive tool easily without having to use any additional tools, you can use the quick-clamping nut (13) instead of the clamping nut (12).

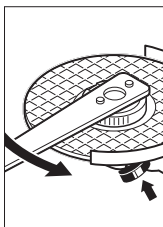
- ▶ The quick-clamping nut (13) may be used only for grinding or cutting discs.

Only use quick-clamping nuts (13) that are in good working order and not damaged.

When screwing on, make sure that the printed side of the quick-clamping nut (13) is not facing the grinding disc; the arrow must be pointing towards the index mark (23).



Press the spindle lock button (1) to lock the grinding spindle. To tighten the quick-clamping nut, turn the grinding disc firmly clockwise.








If the quick-clamping nut has been attached correctly and is not damaged, you can loosen it by hand by turning the knurled ring anticlockwise. **Never loosen a tight quick-clamping nut with pliers. Always use the combination wrench.** Insert the combination wrench as shown in the figure.

Approved abrasive tools

You can use all the abrasive tools mentioned in these operating instructions.

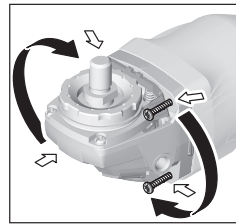
The permissible speed [min^{-1}] or the circumferential speed [m/s] of the abrasive tools used must at least match the values given in the table.

It is therefore important to observe the permissible **rotational/circumferential speed** on the label of the abrasive tool.

	max. [mm]		[mm]	[°]		
	D	b	s	d	a	[min^{-1}] [m/s]
	100	7	-	16.0	-	11,000 80
	125	7	-	22.2	-	11,000 80
	100	-	-	-	-	11,000 80
	125	-	-	-	-	11,000 80
	70	30	-	M 10	-	11,000 45
	75	30	-	M 14	-	11,000 45

Rotating the Machine Head

- ▶ Pull the plug out of the socket before carrying out any work on the power tool.



The machine head can be rotated in 90° increments. In this way, the on/off switch can be brought into a more favourable handling position for particular applications, e.g. for left-handed tool users.

Completely unscrew the four screws. Rotate the ma-

chine head carefully, **without removing it from the housing**, into the new position. Screw in and retighten the four screws.

Dust/Chip Extraction

The dust from materials such as lead paint, some types of wood, minerals and metal can be harmful to human health. Touching or breathing in this dust can trigger allergic reactions and/or cause respiratory illnesses in the user or in people in the near vicinity.

Certain dusts, such as oak or beech dust, are classified as carcinogenic, especially in conjunction with wood treatment additives (chromate, wood preservative). Materials containing asbestos may only be machined by specialists.

- Use a dust extraction system that is suitable for the material wherever possible.
- Provide good ventilation at the workplace.
- It is advisable to wear a P2 filter class breathing mask.

The regulations on the material being machined that apply in the country of use must be observed.

- ▶ **Avoid dust accumulation at the workplace.** Dust can easily ignite.

Operation

Start-Up

- ▶ **Pay attention to the mains voltage! The voltage of the power source must match the voltage specified on the rating plate of the power tool. Power tools marked with 230 V can also be operated with 220 V.**

When operating the power tool using a mobile generator that does not have sufficient reserve capacity or an adequate voltage control system with inrush current boost converter, loss of performance or atypical behaviour may occur upon switch-on.

Please check the suitability of the power generator you are using, particularly with regard to the mains voltage and frequency.

Switching on/off

To **start** the power tool, push the On/Off switch **(2)** forwards.

To **lock** the On/Off switch **(2)**, press the On/Off switch **(2)** down at the front until it latches.

To **switch off** the power tool, release the On/Off switch **(2)** or, if it is locked, briefly push down the back of the On/Off switch **(2)** and then release it.

Speed preselection

(GWS 900-125 S)

You can select the required speed using the speed preselection thumbwheel **(3)**, even during operation. The information in the table below describes the recommended values.

Material	Application	Application tool	Thumbwheel position
Metal	Removing paint	Abrasive disc	2–3
Metal	Brushing, removing rust	Cup brush, abrasive disc	3
Metal, stone	Grinding	Grinding disc	4–6
Metal	Rough grinding	Grinding disc	6
Metal	Cutting	Cutting disc	6

The values specified for speed levels are guide values.

- ▶ **The rated speed of the accessory must be at least equal to the maximum speed marked on the power tool.** Accessories running faster than their rated speed can break and fly apart.

Working Advice

- ▶ **Pull the plug out of the socket before carrying out any work on the power tool.**
- ▶ **Exercise caution when cutting slots in structural walls; see the "Information on structural design" section.**
- ▶ **Clamp the workpiece if it is not secure under its own weight.**
- ▶ **Do not load the power tool so heavily that it comes to a stop.**

- ▶ **Always check abrasive tools before using them. The abrasive tool must be fitted properly and be able to move freely. Carry out a test run for at least one minute with no load. Do not use abrasive tools that are damaged, run untrue or vibrate during use.** Damaged abrasive tools can burst apart and cause injuries.

Restart protection

(GWS 900-125 S)

The restart protection feature prevents the power tool from uncontrolled starting after the power supply to it has been interrupted.

To **restart** the tool, set the on/off switch **(2)** to the "off" position and then switch the power tool on again.

Soft start

(GWS 900-125 S)

The electronic soft start limits the torque when the power tool is switched on and enables a smooth start-up.

Note: If the power tool runs at full speed immediately after being switched on, this means that the soft start and restart protection mechanisms have failed. The power tool must be sent to the after-sales service immediately (see the "After-Sales Service and Application Service" section for addresses).

- ▶ **If the power tool has been subjected to a heavy load, continue to run it at no-load for several minutes to cool down the accessory.**
- ▶ **Do not use the power tool with a cut-off stand.**
- ▶ **Do not touch grinding and cutting discs until they have cooled down.** The discs can become very hot while working.

Rough grinding

- ▶ **Never use cutting discs for rough grinding.**

The best rough grinding results are achieved with a set angle of 30° to 40°. Move the power tool back and forth with moderate pressure. This will ensure that the workpiece does not become too hot or discolour and that grooves are not formed.

Flap Disc

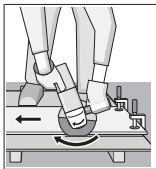
With the flap disc (accessory), curved surfaces and profiles can be worked. Flap discs have a considerably higher service life, lower noise levels and lower sanding temperatures than conventional sanding sheets.

Cutting Metal

- ▶ **Always use the protective guard for cutting (15) when cutting with bonded abrasives.**

When carrying out abrasive cutting, use a moderate feed that is suited to the material being machined. Do not exert pressure on the cutting disc and do not tilt or swing the power tool.

Do not attempt to reduce the speed of a cutting disc coming to a stop by applying pressure from the side.



The power tool must always work in an up-grinding motion. Otherwise there is a risk that it will be pushed **uncontrolled** out of the cut. For best results when cutting profiles and rectangular tubing, start at the smallest cross section.

Cutting stone

- ▶ **Provide sufficient dust extraction when cutting stone.**
- ▶ **Wear a dust mask.**
- ▶ **The power tool may be used only for dry cutting/grinding.**

For best results when cutting stone, use a diamond cutting disc.

When cutting especially hard materials such as concrete with a high pebble content, the diamond cutting disc can overheat and become damaged as a result. This is clearly indicated by circular sparking, rotating with the diamond cutting disc.

If this happens, stop cutting and allow the diamond cutting disc to cool down by running the power tool for a short time at maximum speed with no load.

Working noticeably slower and with circular sparking indicate that the diamond cutting disc that has become dull. You can resharpen the disc by briefly cutting into abrasive material (e.g. lime-sand brick).

Information on structural design

Recesses in load-bearing walls are subject to country-specific regulations. These regulations must be observed under all circumstances. Seek advice from the responsible structural engineer, architect or construction supervisor before starting work.

Maintenance and Service

Maintenance and Cleaning

- ▶ **Pull the plug out of the socket before carrying out any work on the power tool.**
- ▶ **To ensure safe and efficient operation, always keep the power tool and the ventilation slots clean.**

- ▶ **In extreme conditions, always use a dust extractor if possible. Blow out ventilation slots frequently and install a residual current device (RCD) upstream.** When machining metals, conductive dust can settle inside the power tool, which can affect its protective insulation.

Store and handle the accessories carefully.

In order to avoid safety hazards, if the power supply cord needs to be replaced, this must be done by **Bosch** or by an after-sales service centre that is authorised to repair **Bosch** power tools.

After-Sales Service and Application Service

Our after-sales service responds to your questions concerning maintenance and repair of your product as well as spare parts. You can find explosion drawings and information on spare parts at: www.bosch-pt.com

The Bosch product use advice team will be happy to help you with any questions about our products and their accessories.

In all correspondence and spare parts orders, please always include the 10-digit article number given on the nameplate of the product.

India

Bosch Service Center
69, Habibullah Road, (Next to PSBB School), T. Nagar
Chennai – 600077
Phone: (044) 64561816

Bosch Service Center
18, Community Center
Phase 1, Mayapuri
New Delhi – 110064
Phone: (011) 43166190

Bosch Service Center
Shop no 7&8, Aspen garden
Walbhat road, Goregaon (E)
Near to Ram Mandir Railway Station
Mumbai – 400063
Mobile: 09819952950

You can find further service addresses at:

www.bosch-pt.com/serviceaddresses

Disposal

The power tool, accessories and packaging should be recycled in an environmentally friendly manner.



Do not dispose of power tools along with household waste.

हिंदी

सुरक्षा निर्देश

पाँवर टूल सुरक्षा की सामान्य चेतावनियाँ

⚠ चेतावनियाँ इस पावर टूल के साथ दी गई सभी सुरक्षा चेतावनियों, निर्देशों, सचित्र वर्णनों और विनिर्देशों को ध्यान से पढ़ें। सभी निर्देशों का पालन न करने के परिणामस्वरूप बिजली का झटका, आग और/या गंभीर चोट लग सकती है। **भविष्य के संदर्भ के लिए सभी चेतावनियों और निर्देशों को सहेजें।** चेतावनियों में शब्द "पावर टूल" का संबंध आपकी मेन्स-ऑपरेटिंग (कॉर्डेड) पावर टूल या बैटरी से चलने वाले (कॉर्डलेस) पावर टूल से होता है।

कार्य क्षेत्र सुरक्षा

- ▶ कार्य क्षेत्र साफ़ और अच्छी तरह उजला रखें। अव्यवस्थित या अंधकारपूर्ण क्षेत्र दुर्घटनाओं को आमंत्रित करते हैं।
- ▶ पाँवर टूल को विस्फोटक वातावरण जैसे कि, ज्वलनशील द्रव्यों, गैसों या राख की उपस्थिति में संचालित न करें। पाँवर टूल से चिंगारी निकलती है, जो कचरे या धुएँ में आग लगा सकती है।
- ▶ पाँवर टूल संचालित करते समय बच्चों और आसपास खड़े लोगों को दूर रखें। ध्यान भंग होने के कारण आपका नियंत्रण खो सकता है।

विद्युत सुरक्षा

- ▶ पाँवर टूल प्लग आउटलेट से मेल खाना चाहिए। प्लग को किसी भी स्थिति में न सुधाराएँ। किसी एडॉप्टर का उपयोग न करें, जिसे भूसंपर्कित (जमीन में) पाँवर टूल के साथ प्लग किया गया हो। अपरिवर्तित प्लग और मेल खाते हुए आउटलेट बिजली के झटके का जोखिम कम करेंगे।
- ▶ अर्थिंग की गई या ज़मीन पर पड़ी चीज़ों, जैसे पाइप, रेडिएटर, रेंज और रेफ्रिजरेटर के साथ संपर्क में आने से बचें। यदि आपका शरीर ज़मीन के या ज़मीन पर पड़ी किसी वस्तु के संपर्क में आता है, तो बिजली के झटके का खतरा बढ़ जाता है।
- ▶ पाँवर टूल को बारिश या गीली स्थितियों में खुला न रखें। पाँवर टूल में पानी घुस जाने से बिजली का झटका लगने का खतरा बढ़ जाएगा।
- ▶ कॉर्ड का अधिक दुरुपयोग न करें। कॉर्ड का उपयोग कोई चीज़ ले जाने, खींचने या पाँवर टूल को अनप्लग करने में कभी भी न करें। कॉर्ड को ऊष्मा, तेल, तेज़ धार या गतिमान पुर्जों से दूर रखें। क्षतिग्रस्त या उलझी हुई कॉर्ड से बिजली के झटके का खतरा बढ़ जाता है।
- ▶ पाँवर टूल को आउटडोर में संचालित करते समय, आउटडोर के उपयोग हेतु उपयुक्त एकस्टेंशन कॉर्ड का उपयोग करें। आउटडोर उपयोग के लिए उपयुक्त कॉर्ड का उपयोग करना बिजली के झटके का जोखिम कम करता है।
- ▶ यदि पाँवर टूल को सीलनभरी जगह पर संचालित करना अनिवार्य हो तो, रेसीड्यूअल करंट डिवाइस (RCD) संरक्षित सप्लाइ का उपयोग करें। RCD का उपयोग बिजली के झटके के जोखिम को कम करता है।

व्यक्तिगत सुरक्षा

- ▶ पाँवर टूल संचालित करते समय सजग रहें, अपने काम पर ध्यान दें और व्यावहारिक ज्ञान का उपयोग करें। थके होने पर या दवाओं, अल्कोहॉल या औषधि-प्रयोग के प्रभाव में होने पर पाँवर टूल का उपयोग न करें। पाँवर टूल संचालित करने के दौरान असावधान रहने पर व्यक्तिगत रूप से गंभीर चोट आ सकती है।
 - ▶ व्यक्तिगत सुरक्षा उपकरण का उपयोग करें। औद्योगिक सुरक्षा के लिए हमेशा कुछ पहनें। सुरक्षा उपकरण, जैसे धूल मास्क, फिसलन रहित सुरक्षा जूते, मजबूत टोपी, या उचित परिस्थितियों के लिए उपयोग की जाने वाली कानों की सुरक्षा जैसे सुरक्षा उपकरण व्यक्तिगत हानि को कम कर देंगे।
 - ▶ अनजाने में शुरू करने से बचें। पाँवर सोर्स और/या बैटरी पैक को कनेक्ट करने, टूल को उठाने या ले जाने से पहले सुनिश्चित कर लें कि स्विच बंद स्थिति में है। पाँवर टूल ले जाते समय स्विच पर उंगली होना या चालू स्विच में पाँवर टूल को लगाना दुर्घटनाओं को आमंत्रित कर सकता है।
 - ▶ पाँवर टूल को चालू करने से पहले किसी भी समायोजन कुंजी निकाल दें या खींच लें। पाँवर टूल के घूमने वाले भाग से जुड़ी कोई कुंजी खींचने या निकालने से व्यक्तिगत हानि हो सकती है।
 - ▶ अति-विश्वास से बचें। हर समय पैरों को ठीक से जमाए रखें और संतुलन में रहें। ऐसा करना अनपेक्षित स्थितियों में पाँवर टूल के नियंत्रण को और बेहतर बनाता है।
 - ▶ कपड़े अच्छे-से पहनें। ढीले कपड़े या आभूषण न पहनें। अपने बालों, कपड़ों और दस्तानों को चलित पुर्जों से दूर रखें। ढीले कपड़े, आभूषण या लंबे बाल चलित पुर्जों में फँस सकते हैं।
 - ▶ यदि उपकरण धूल निष्कर्षण और सुविधा संग्रह के कनेक्शन के लिए प्रदान किए जाते हैं, तो सुनिश्चित करें कि वो कनेक्ट हों और उचित रूप से उपयोग किए जाते हों। धूल संग्रह का उपयोग करना धूल-संबंधी खतरों को कम कर सकता है।
- #### पाँवर टूल उपयोग और देखभाल
- ▶ पाँवर टूल पर जोर न लगाएं। अपनी एप्लिकेशन के लिए सही पाँवर टूल का उपयोग करें। सही पाँवर टूल जिसके लिए बनाया गया था, उसके हिसाब से बेहतर और सुरक्षित कार्य करेगा।
 - ▶ यदि स्विच चालू और बंद न होता हो, तो पाँवर टूल का उपयोग न करें। ऐसा कोई भी पाँवर टूल जिसे स्विच से नियंत्रित नहीं किया जा सकता है, खतरानाक है और उसे सुधारा जाना चाहिए।
 - ▶ कोई भी समायोजन करने, सामान बदलने या बिजली उपकरण का मंडारण करने से पहले पाँवर उपकरण से बिजली के स्रोत और/या बैटरी उपकरण से प्लग को डिस्कनेक्ट करें। इस तरह के सुरक्षात्मक उपाय पाँवर टूल के अचानक चालू हो जाने के जोखिम को कम करते हैं।
 - ▶ निष्क्रिय पाँवर टूल को बच्चों की पहुँच से बाहर रखें और पाँवर टूल चलाने के लिए बिजली के उपकरण या इन निर्देशों से अनभिन्न लोगों को अनुमति न दें। अप्रशिक्षित उपयोगकर्ताओं के हाथों में पाँवर टूल का होना खतरानाक है।
 - ▶ पाँवर टूल का रखरखाव करें। चलित पुर्जों के अलाइनमेंट के गड़बड़ाने या बाध्यकारी होने, पुर्जों के टूटने और ऐसी

किसी भी स्थिति की जाँच करें, जो पावर टूल के संचालन को प्रभावित कर सकती है। यदि क्षतिग्रस्त है, तो उपयोग से पहले पावर टूल को सुधारना होगा। कई हादसे पावर टूल के खराब रखरखाव के कारण होते हैं।

- ▶ काटने वाले उपकरणों को तेज़ और साफ़ रखें। तेज़ कटाई की धार वाले कटिंग उपकरणों के ठीकरीक रखरखाव से इसे बाइंड करने की संभावना कम होती है और इसे नियंत्रित करना आसान होता है।
- ▶ कार्य करने की स्थितियों और कार्य निष्पादित करने के लिए, इन निर्देशों के अनुसार, पावर टूल, एक्सेसरीज़ और टूल बिट आदि का उपयोग करें। संचालन हेतु पावर टूल का इन उद्देश्यों से अलग उपयोग खतरनाक हो सकता है।

सेवा

- ▶ केवल समान प्रतिस्थापन भागों का उपयोग करने वाले किसी योग्य मरम्मतकर्ता द्वारा ही अपने पावर टूल की मरम्मत करवाएँ। यह सुनिश्चित करेगा कि पावर टूल की सुरक्षा का सही रखरखाव किया गया है।

एंगल ग्राइंडर के लिए सुरक्षा निर्देश

ग्राइन्डिंग, सैंडिंग, वायर ब्रशिंग या एब्रेसिव कटिंग ऑफ ऑपरेशंस के लिए एक समान सुरक्षा चेतावनी

- ▶ इस पावर टूल का उद्देश्य ग्राइन्डर, सैंडर, वायर ब्रश या कट-ऑफ टूल के रूप में कार्य करना है। इस पावर टूल में प्रदत्त समस्त सुरक्षा चेतावनियाँ, निर्देशों, चित्रणों और विनिर्देशों को पढ़ें। चेतावनियों और निर्देशों का अनुसरण करने में विफल होने के परिणामस्वरूप इलेक्ट्रिक शॉक, आग लगना और/या कोई गंभीर हानि हो सकती है।
- ▶ इस पावर टूल के साथ पॉलिशिंग जैसे कार्य करने की सलाह नहीं दी जाती है। जिन कार्यों के लिए पावर टूल नहीं बनाया गया, वे कार्य खतरों का कारण बन सकते हैं और व्यक्तिगत हानि पहुँचा सकते हैं।
- ▶ ऐसी एक्सेसरीज़ का उपयोग न करें जो विशेष रूप से टूल निर्माता के द्वारा डिज़ाइन और अनुशंसित नहीं है। सिर्फ इसलिए कि एक्सेसरी आपके पावर टूल से जुड़ सकती है, इसका मतलब यह नहीं है कि यह सुरक्षित कार्य का आश्रय देती है।
- ▶ एक्सेसरी की निर्धारित गति कम से कम पावर टूल पर चिह्नित अधिकतम गति के बराबर होना चाहिए। निर्धारित गति से तेज़ चल रही एक्सेसरी टूट सकती है और अलग हो सकती है।
- ▶ आपकी एक्सेसरी का बाहरी व्यास और मोटाई आपके पावर टूल की क्षमता दर के अंदर होना चाहिए। गलत आकार की एक्सेसरी को पर्याप्त रूप से संरक्षित या नियंत्रित नहीं किया जा सकता है।
- ▶ एक्सेसरीज़ की ग्रेडेड माउन्टिंग को ग्राइन्डर स्पिन्दल ग्रेड से मैच होना चाहिए। फ्लैन्ज से जुड़ी हुई एक्सेसरीज़ के लिए, एक्सेसरी का आर्बर होल फ्लैन्ज से जुड़े व्यास में फिट होना चाहिए। ऐसी एक्सेसरीज़ जो पावर टूल के माउन्टिंग हार्डवेयर से मैच नहीं खाती है, वह एक्सेसरीज़ संतुलन खत्म कर देगी, ज़रूरत से ज़्यादा कंपन करेगी और नियंत्रण खोने का कारण हो सकती है।
- ▶ टूटी हुई एक्सेसरी का उपयोग न करें। हमेशा उपयोग करने से पहले एक्सेसरी जाँच लें, जैसे एब्रेसिव व्हील टूटने न हों और दरार न हों, बैकिंग पैड टूटने न हों, ज़्यादा टूट-फूट न हों, वायर ब्रश ढीला न हो या वायर टूटने न हों। यदि पावर टूल या एक्सेसरी टूटी हुई है, तो नुकसान का पता लगाएँ या बिना टूटी एक्सेसरी लगाएँ। एक्सेसरी में नुकसान का पता लगाने और इस्टाल करने के बाद, अपने आप को और पास खड़े लोगों को घूमने वाली एक्सेसरी के पंखे से दूर करें और एक मिनट के लिए पावर टूल को बिना लोड के अधिकतम गति पर चलाएँ। क्षतिग्रस्त एक्सेसरीज़ अमतौर पर इस परीक्षण समय के दौरान टूट कर अलग हो जाएंगी।

निजी सुरक्षा उपकरण पहनें। एप्लिकेशन के आधार पर फेस शील्ड, सुरक्षा चश्मे या सुरक्षा ग्लासेस पहनें। जैसा उपयुक्त हो, धूल से बचाने वाला मास्क, हियरिंग प्रोटेक्टर्स, दस्ताने और वर्कशॉप एप्रिन पहनें जो छोटी चोट या वर्कपीस टुकड़े से बचाने में सक्षम हों। आँखों की सुरक्षा के उपकरण विभिन्न संचालनों से उत्पन्न मलबों को रोकने में सक्षम होना चाहिए। डस्ट मास्क या रेस्पिरैटर आपके संचालन से उत्पन्न कणों को छानने के लिए सक्षम होना चाहिए। लंबे समय तक तेज़ आवाज़ के संपर्क में आने से सुनने की क्षमता खो सकती है।

आसपास खड़े लोगों को कार्य क्षेत्र से सुरक्षित दूरी पर रखें। कार्य क्षेत्र में प्रवेश करने वालों को निजी सुरक्षा उपकरण पहनना आवश्यक है। वर्कपीस के टुकड़े या टूटी एक्सेसरी दूर उड़ सकती हैं और ऑपरेशन के करीब वाले क्षेत्र में अत्यधिक चोट का कारण बन सकती हैं।

कार्य करते समय, जहाँ पर कटिंग एक्सेसरी छिपी हुई तारों या अपने कॉर्ड के संपर्क में आ सकती है, ऐसे स्थानों पर पावर टूल को इंसुलेटेड ग्रीपिंग सतहों द्वारा ही पकड़ें। “लाइव” तार के संपर्क में आने वाली कटिंग एक्सेसरी से “लाइव” पावर टूल के धातु वाले भाग खुल सकते हैं और ऑपरैटर को बिलजी का झटका लग सकता है।

कॉर्ड को स्पिनिंग एक्सेसरी से दूर रखें। यदि आप नियंत्रण खो देते हैं, तो कॉर्ड कट या खिंच सकता है और आपका हाथ या भुजा स्पिनिंग एक्सेसरी में खिंच सकती है।

जब तक एक्सेसरी पूरी तरह से बंद न हो जाए, तब तक पावर टूल को कभी भी नीचे न रखें। स्पिनिंग एक्सेसरी सतह पर आ सकती है और पावर टूल आपके नियंत्रण से बाहर जा सकता है।

स्पिनिंग व्हील को अपनी तरफ़ ले जाते समय, पावर टूल न चलाएँ। स्पिनिंग एक्सेसरी के आकस्मिक संपर्क से, यह आपके शरीर को एक्सेसरी की ओर खींचते हुए आपके कपड़ों को खींच सकता है।

पावर टूल के वायु छिद्रों को नियमित रूप से साफ़ करें। मोटर फैन घर के अंदर की धूल को खींच लेगा और पिंसी हुई धातु के अत्यधिक संचय से विजली के खतरे उत्पन्न हो सकते हैं।

पावर टूल को ज्वलनशील सामान के पास संचालित न करें। चिंगारी से इस सामान में आग लग सकती है।

उन एक्सेसरी का उपयोग न करें जिसमें लिक्विड कूलन्ट की आवश्यकता होती है। पानी या अन्य लिक्विड कूलन्ट के उपयोग का नतीजा विजली से मौत या झटका हो सकता है।

किकबैक और संबंधित चेतावनी

किकबैक संकुचित या चीरे हुए रोटेटिंग व्हील, बैकिंग पैड, ब्रश या किसी भी अन्य एक्सेसरी की तत्काल प्रतिक्रिया है। संकुचित या चीरा होना रोटेटिंग एक्सेसरी के तत्काल बंद होने का कारण हो सकता है, परिणामस्वरूप अनियंत्रित पावर टूल बाइइन्डिंग के

समय एक्सेसरी के रोटेशन की विपरीत दिशा में धकेले जाते हैं। उदाहरण के लिए, अगर अपघर्षक पहिया वस्तु से फट जाता है या उसमें छेद हो जाते हैं, इससे छेद में जाने वाला पहिए का किनारा सामान की सतह को खोद सकता है जिससे पहिया बाहर निकाला जा सकता है। संकुचन के समय पहिये की गति की दिशा पर निर्भर करता है कि पहिया ऑपरेटर की तरफ जा सकता है या दूर जा सकता है। अपघर्षक पहिए इन परिस्थितियों में टूट भी सकते हैं।

किकबैक पावर टूल के दुरुपयोग और/या गलत संचालन प्रक्रियाओं या परिस्थितियों का नतीजा है और इसे नीचे बताई गई उचित सावधानियों की मदद से बचा जा सकता है।

- ▶ **पावर टूल पर मजबूत पकड़ रखें और अपने शरीर और हाथ को इस तरह रखें कि वह किकबैक का बल झेलने की अनुमति देता है। स्टार्ट-अप के दौरान किकबैक या टॉर्क की प्रतिक्रियाओं पर अधिकतम नियंत्रण के लिए, हमेशा सहायक हैंडल का इस्तेमाल करें।** अगर उचित सावधानी बरती जाए, तो ऑपरेटर टॉर्क प्रतिक्रियाओं या किकबैक के प्रभाव को नियंत्रित कर सकता है।
- ▶ **अपने हाथ को कभी भी घूमने वाली एक्सेसरी के पास न रखें।** एक्सेसरी आपके हाथ पर प्रहार कर सकती है।
- ▶ **किकबैक होने पर जहाँ पावर टूल जाएगा, उस क्षेत्र में न जाएँ।** किकबैक स्प्रिंग पर व्हील की गति के विपरीत टूल को डकेलगा।
- ▶ **कोनों, धारदार किनारों आदि पर काम करते समय विशेष सावधानी रखें और बाउंस करने वाली और स्प्रिंग एक्सेसरी से बचें।** कोनों, धारदार किनारों या बाउंस वाली एक्सेसरी में घूमने वाली एक्सेसरी को खींचने की प्रवृत्ति होती है और इससे आपका नियंत्रण खो सकता है या यह किकबैक कर सकता है।
- ▶ **सॉ चैन बुडकाविंग ब्लेड या दांतेदार सॉ ब्लेड न लगाएँ।** ऐसी ब्लेड लगातार किकबैक और नियंत्रण में क्षति पैदा करती हैं।

ग्राइंडिंग और एब्रेसिव कटिंग-ऑफ ऑपरेशंस के लिए विशिष्ट सुरक्षा चेतावनियाँ

- ▶ **केवल उन पहिये के प्रकारों का ही उपयोग करें, जिन्हें आपके पावर टूल और चयनित पहिये के लिए डिज़ाइन किए गए विशिष्ट गार्ड के लिए बताया गया है।** जिन पहियों के लिए पावर टूल नहीं बनाया गया हो, उन्हें पर्याप्त रूप से संरक्षित नहीं किया जा सकता है और वे असुरक्षित हैं।
- ▶ **केन्द्र से दबे हुए पहिये की ग्राइंडिंग सतह को गार्ड लिफ के फ्लेन के नीचे माउंट होना चाहिए।** एक अनुचित तरीके से माउंटेड व्हील जो गार्ड लिफ के फ्लेन के माध्यम से प्रोजेक्ट करता है, उसे पर्याप्त रूप से संरक्षित नहीं किया जा सकता है।
- ▶ **गार्ड पावर टूल से सुरक्षित रूप से जुड़ा होना चाहिए और अधिकतम सुरक्षा के लिए उपयुक्त स्थान पर होना चाहिए, जिससे ऑपरेटर की ओर कम मात्रा में पहिया दिखे।** गार्ड ऑपरेटर को टूटे हुए पहिये के टुकड़े, पहिये के साथ अनावश्यक संपर्क और उस चिंगारी से बचाने में मदद करता है जो कपड़ों को जला सकती है।
- ▶ **पहियों का उपयोग केवल सुझाए गए एप्लिकेशन के लिए ही करें। उदाहरण के लिए: कट-ऑफ व्हील्स के किनारे को**

घिसें नहीं। अपघर्षक कट-ऑफ व्हील का उद्देश्य परिफेरल ग्राइंडिंग है, एक ओर से लगने वाले बल से यह पहिए टूट सकते हैं।

- ▶ **हमेशा बिना उपयोग किये हुए व्हील फ्लैन्जेस का ही उपयोग करें, जो आपके चयनित पहिये के लिए सही आकार और आकृति का हों।** सही व्हील फ्लैन्ज पहिए को सहारा देते हैं जिससे पहिए के टूटने की आशंका कम हो जाती है। कट-ऑफ व्हील के लिए फ्लैन्जेस, ग्राइंडिंग व्हील फ्लैन्जेस से अलग हो सकते हैं।
- ▶ **बड़े पावर टूल के घिसे हुए पहियों का उपयोग न करें।** बड़े पावर टूल के लिए नियत पहिया एक छोटे टूल की उच्च गति के लिए उपयुक्त नहीं है और फट सकता है।

विशेष रूप से एब्रेसिव कटिंग ऑफ ऑपरेशंस के लिए अतिरिक्त सुरक्षा चेतावनियाँ

- ▶ **कट-ऑफ व्हील को "जाम" न करें या अत्यधिक बल न लगाएँ।** कट की अत्यधिक गहराई बनाने का प्रयास न करें। पहिए पर अत्यधिक बल डालने से भार और पहिए के कट में मोड़ने या जाम होने की संवेदनशीलता और किकबैक या पहिया टूटने की संभावना बढ़ जाती है।
- ▶ **घूमते हुए पहिए के बराबर में और पीछे खड़े न हों।** चलते समय, जब पहिया आपके शरीर से दूर जा रहा हो, तो संभावित किकबैक स्पिनिंग व्हील और पावर टूल को सीधे आप पर धकेल सकता है।
- ▶ **जब व्हील बंधा हुआ हो या किसी कारण से कट को बाधित कर रहा हो, तो पावर टूल को बंद कर दें और जब तक व्हील पूरी तरह से बंद न हो जाए, तब तक पावर टूल को बंद रखें।** पहिये के गति में होने पर कभी भी कट-ऑफ व्हील को कट से हटाने का प्रयास न करें, अन्यथा किकबैक हो सकता है। पहिए को जाम होने की वजह को हटाने के लिए जाँच करें और सुधारात्मक कार्रवाई करें।
- ▶ **वस्तु में काटने का संचालन दोबारा शुरू न करें।** पहिए को पूर्ण गति तक पहुँचने दें और सावधानीपूर्वक कट में दोबारा प्रवेश करने दें। अगर पावर टूल को वस्तु में दोबारा शुरू किया जाता है तो पहिया जाम हो सकता है, पास आ सकता है या किकबैक हो सकता है।
- ▶ **व्हील पिंचिंग और किकबैक के जोखिम को कम करने के लिए पैल या किसी भी ओवरसाइज़ वर्कपीस की सहायता लें।** बड़ी वस्तुएँ अपने ही भार के दबाव में आ जाती हैं। वस्तु के नीचे सहारे को कट की रेखा और पहिए के दोनों ओर वस्तु के किनारे के पास रखना चाहिए।
- ▶ **मौजूदा दीवारों या अन्य अंधेरे क्षेत्रों में "पॉकेट कट" बनाने समय अतिरिक्त सावधानी बरतें।** उभरा हुआ व्हील गैस या पानी के पाइप, बिजली की तारों या उन वस्तुओं को काट सकता है, जो किकबैक का कारण बन सकते हैं।

विशेष रूप से सैंडिंग ऑपरेशंस के लिए सुरक्षा चेतावनियाँ

- ▶ **ज़रूरत से ज़्यादा बड़े सैंडिंग डिस्क पेपर का उपयोग न करें।** सैंडिंग पेपर चुनते समय उत्पादक की सलाह का पालन करें। सैंडिंग पेड से बड़े सैंडिंग पेपर एक लैकेशन खतरा सामने लाते हैं और स्प्रिंग, डिस्क टूट या किकबैक का कारण हो सकते हैं।

विशेष रूप से वायर ब्रशिंग ऑपरेशंस के लिए सुरक्षा चेतावनियाँ

- ▶ ध्यान रखें कि सामान्य ऑपरेशन के दौरान भी ब्रश से वायर ब्रिसल गिर जाते हैं। ब्रश पर अत्यधिक लोड लगाकर वायर को ओवरस्ट्रेस न करें वायर ब्रिसल हल्के कपडों और/या त्वचा में आसानी से घुस सकते हैं।
- ▶ यदि वायर ब्रशिंग के लिए गार्ड का उपयोग करने की सलाह दी गई है, तो वायर व्हील या ब्रश के साथ गार्ड में किसी भी तरह का हस्तक्षेप करने की अनुमति न दें। वायर व्हील या ब्रश कार्यभार और अपकेंद्री बल के कारण व्यास में फैल सकते हैं।

अतिरिक्त सुरक्षा निर्देश



कृपया अपना सुरक्षा चश्मा पहनें।

- ▶ छिपी हुई आपूर्ति लाइनों का पता लगाने के लिए उपयुक्त खोज यंत्रों का प्रयोग करें अथवा स्थानीय आपूर्ति कंपनी से परामर्श करें। बिजली लाइनों के साथ संपर्क में आने से आग या बिजली के झटके के कारण हो सकते हैं। गैस लाइन के क्षतिग्रस्त होने से स्फोट का खतरा हो सकता है। पानी के लाइन में घुसने पर वस्तुओं का नाश या बिजली के झटके लग सकते हैं।
- ▶ पीसने और काटने वाली आरी को जबतक वह शांत न हो जाएं तबतक कृपया उसे न छुएं। डिस्क काम के दौरान बहुत गरम हो जाते हैं।
- ▶ जब बिजली चली जाए या खींचने कि वजह से बिजली बंद हो जाए तब ऑन-ऑफ़ करनेवाली बटन खोलकर उसे बंद पर लाइए। यह एक अनियंत्रित पुनरारंभ रोकता है।
- ▶ जिस हिस्से पर काम होना है उसे सुरक्षित कर लें। हात से ज्यादा एक तनाव उपकरण या शिकंजे से कसे कार्य घटक अधिक सुरक्षित होता है।

उत्पाद और सेवा का विवरण



सभी सुरक्षा चेतावनियाँ और निर्देश सुरक्षा चेतावनियों और निर्देशों का पालन नहीं करने पर बिजली का झटका, आग और गंभीर चोट लगने का खतरा है।

कृपया संचालन निर्देश के अगले भाग में दिए गए चित्रों पर ध्यान दें।

तकनीकी डेटा

कोने का घर्षण उपकरण		GWS 900-100	GWS 900-125 S
आर्टिकल संख्या		3 601 C96 0..	3 601 C96 1..
मूल्यांकित इनपुट पावर	W	900	900
आउटपुट पावर	W	450	450
रेटेड स्पीड	/मि	11000	11000
गति की सेटिंग रेंज	/मि	-	2800-11000
अधिकतम घर्षण डिस्क चौड़ाई	मिमी	100	125
घर्षण धुरी पेच		M 10	M 14
अधिकांश घर्षण धुरी की पेच प्रणाली	मिमी	22	22

लक्षित उद्देश्य के लिए उपयोग

पावर टूल का उपयोग बिना पानी के उपयोग से कटाने, घिसने और धातू तथा पत्थर के ब्रश करने के लिए करें।

बंधे हुए उपघर्षकों काटने के लिए कटाने के लिए एक विशेष सुरक्षा कवच का इस्तेमाल करें।

पत्थर को काटते समय पर्याप्त धूल निकासी सुनिश्चित करें।

अनुमति प्राप्त घर्षण उपकरण के साथ पावर टूल्स रेतमाल का भी इस्तेमाल कर सकते हैं।

चित्रित घटक

चित्रित घटकों की नंबरिंग ग्राफिक पेज पर पावर टूल के चित्रण को संदर्भित करती है।

- (1) धुरी का लॉक बटन
- (2) चालू/बंद स्विच
- (3) हैंड व्हील की गति का पूर्व चयन (GWS 900-125 S)
- (4) अतिरिक्त हैंडल (इन्पुलेट की हुई हैंडल सतह)
- (5) पीसने वाले स्पिंडल M14 के लिए संयोजन स्पैनर(A)
- (6) ग्राइंडिंग धुरी M 10 के लिए कॉम्बिनेशन कुंजी(A)
- (7) घर्षण धुरी
- (8) घर्षण के लिए सुरक्षा कवच
- (9) सुरक्षा कवर के लिए फिक्सिंग स्कू
- (10) ओ-रिंग युक्त रिसेप्शन फ्लाइंग
- (11) घर्षण डिस्क(A)
- (12) कसाई नट
- (13) त्वरित क्लैपिंग नट SDS-*click*(A)
- (14) टंगस्टन कार्बाइड कप डिस्क(A)
- (15) काटने के लिए सुरक्षा कवच(A)
- (16) कटिंग डिस्क(A)
- (17) हाथ की सुरक्षा(A)
- (18) रबर ग्राइडिंग प्लेट(A)
- (19) सैंडिंग शीट(A)
- (20) राउंड नट(A)
- (21) कप ब्रश(A)
- (22) हस्त हैंडल (इन्पुलेट की हुई हैंडल सतह)

- a) सचित्र या वर्णित सहायक उपकरण वितरण के मानक क्षेत्र का हिस्सा नहीं है। आपको हमारे सर्व उपकरणों के एक्सेसरीज़ हमारे एक्सेसरीज़ प्रोग्राम में प्राप्त होंगे।

कोने का घर्षण उपकरण	GWS 900-100	GWS 900-125 S	
गति का पूर्व चयन		●	
पुनः शुरुआत से सुरक्षा		●	
सहज शुरुआत		●	
वजन EPTA-Procedure 01:2014 के अनुसार			
- कंपनी रोधक अतिरिक्त हैंडल के साथ	किग्रा	2,0	2,0
- सामान्य अतिरिक्त हैंडल के साथ	किग्रा	1,9	1,9
सुरक्षा श्रेणी		□/	□/

आंकड़े 230 V के एक रेटेड वोल्टेज [U] के लिए हैं। वोल्टेज परिवर्तन और देश-विशिष्ट डिज़ाइनों के अनुसार यह प्रमाण अलग हो सकते हैं।

मूल्य उत्पाद के अनुसार अलग हो सकते हैं और ये उपयोग और पर्यावरण की स्थितियों पर आधारित हैं। अधिक जानकारी के लिए देखें www.bosch-professional.com/wac.

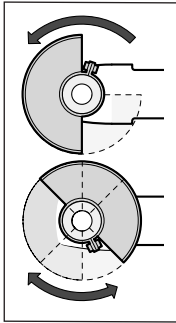
असेंबली

सुरक्षात्मक उपकरण उपयोग करें

- ▶ पावर टूल पर कोई कार्य करते समय प्लग को सॉफिट से निकाल लें।

नोट: यदि परिचालन के दौरान पीसने वाला पहिया टूट जाता है या यदि सुरक्षात्मक हुड / पावर टूल पर होलिंग डिवाइस खराब हो जाते हैं, तो पावर टूल को तुरंत ग्राहक सेवा में भेजा जाना चाहिए, पते के लिए, "ग्राहक सेवा और उपकरण सलाह" अनुभाग देखें।

घर्षण के लिए सुरक्षा कवच



स्पिंडल गर्दन पर सुरक्षात्मक हुड (8) रखें। काम की आवश्यकता नुसार लिए सुरक्षा कवर (8) की स्थिति को समायोजित करें। संयोजन रिंच के साथ (8) लॉकिंग स्क्रू को कसकर सुरक्षात्मक कवर (9) को लॉक करें (5)/(6)।

- ▶ सुरक्षात्मक हुड (8) को सेट करें ताकि ऑपरेटर की ओर उड़ने वाली स्पार्क को रोका जा सके।

सूचना: कोर्डिंग कैम सुरक्षात्मक आवरण पर (8) सुनिश्चित करें कि केवल एक सुरक्षात्मक आवरण बिजली उपकरण के लिए उपयुक्त रखा जा सकता है।

काटने के लिए सुरक्षा कवच

- ▶ बंधे हुए अपघर्षक के साथ काटने पर, (15) को काटने के लिए हमेशा सुरक्षात्मक आवरण का उपयोग करें।
- ▶ पत्थर में काटते समय पर्याप्त धूल निकासी सुनिश्चित करें। (15) को काटने के लिए सुरक्षात्मक हुड को (8) को पीसने के लिए सुरक्षात्मक हुड की तरह रखा गया है।

अतिरिक्त हैंडल

- ▶ अपने पावर टूल का उपयोग केवल अतिरिक्त हैंडल के साथ करें। (4)

- ▶ यदि अतिरिक्त हैंडल क्षतिग्रस्त हो, तो पावर टूल का उपयोग न करें। अतिरिक्त हैंडल में कोई परिवर्तन न करें।

अतिरिक्त हैंडल (4) को काम करने की विधि के अनुसार गियर हेड पर दाएं या बाएं घुमाएं।

कंपन को अवशोषित करने अतिरिक्त संभाल



अतिरिक्त संभाल पेंच (4) को काम करने की विधि के अनुसार गियरबॉक्स सिर पर दाएं या बाएं घुमाएं।

कंपन-रोधक अतिरिक्त संभाल कम-कंपन को सक्षम करता है और इस प्रकार अधिक आरामदायक और सुरक्षित काम करता है।

- ▶ अपने पावर टूल का उपयोग केवल अतिरिक्त हैंडल के साथ करें। (4)

- ▶ सहायक संभाल में कोई बदलाव न करें।

क्षतिग्रस्त अतिरिक्त हैंडल का उपयोग न करें।

हस्त सुरक्षा

- ▶ रबर सैंडिंग पैड (18) या कप ब्रश/डिस्क ब्रश/फ्लैप डिस्क के साथ काम करते समय हमेशा हस्त सुरक्षा (17) का उपयोग करें।

अतिरिक्त सुरक्षा (4) के साथ हस्त सुरक्षा (17) को संलग्न करें।

अपघर्षक उपकरण स्थापित करें

- ▶ पावर टूल पर कोई कार्य करते समय प्लग को सॉफिट से निकाल लें।

- ▶ पीसने और काटने वाली आरी को जबतक वह शांत न हो जाएं तबतक कूपया उसे न छुएं। डिस्क काम के दौरान बहुत गरम हो जाते हैं।

घर्षण धुरी (7) और सभी भागों को इकट्ठा करके साफ करें।

घर्षण उपकरण को स्थापित करने में मदद करने के लिए पिसाई धुरी को कसने या ढीला करने के लिए धुरी- लॉक बटन (1) दबाएं।

- ▶ स्पिंडल लॉक बटन केवल तभी दबाएं जब घर्षण धुरी ठहराव पर हो। अन्यथा पावर टूल खराब हो सकता है।

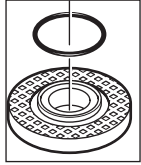
पिसाई/ कटाई डिस्क

घर्षण उपकरण के आकारमान पर ध्यान दें। छेद का व्यास रिसेप्टर फ्लाईइंज से सटीक मिलना चाहिए। एडाप्टर या रिज्यूसर का प्रयोग न करें।

डायमंड कटिंग डिस्क का उपयोग करते समय यह ध्यान में रखें कि डायमंड कटिंग डिस्क पर घुमाव दिशा तीर और पावर टूल की घुमाव दिशा एक दूसरे के अनुकूल हो। (हाउज़िंग पर घुमाव दिशा तीर देखें)।

स्थापना के क्रम को ग्राफ़िक पृष्ठ पर दिखाया गया है। ग्राइन्डींग/कटिंग डिस्क को कसने के लिए O-रिंग वाले रिसेप्टर फ्लाईइंज (10) को ग्राइन्डींग स्पिन्दल (7) पर इन्सर्ट करें और क्लैम्पिंग नट (12) को स्क्रू करें। उपयोग की हुई ग्राइन्डींग/कटिंग डिस्क के अनुसार क्लैम्पिंग नट (12) के अलाइन्मेंट पर ध्यान दें (ऑपरेटिंग मैनुअल के आगे के हिस्से में चित्रों को देखें) और इसे संयोजन स्पैनर के साथ कसें। (देखें „त्वरित क्लैम्पिंग नट SDS-*click*“, पेज 19)।

► स्थापना के बाद पिसाई उपकरण को चालू करने से पहले जांचें, की पिसाई उपकरण ठीक से स्थापित हुआ है और मुक्त रूप से घूमता है। सुनिश्चित करें कि, पिसाई उपकरण सुरक्षा कवच या अन्य पुर्जों पर घिस नहीं रहा।



एक प्लास्टिक का हिस्सा (ओ-रिंग) बढ़ते कॉलर के चारों ओर बढ़ते निकला हुआ (10) में डाला जाता है। यदि ओ-रिंग गायब है या क्षतिग्रस्त है, तो आगे बढ़ने से पहले बढ़ते निकला हुआ (10) को प्रतिस्थापित किया जाना चाहिए।

पीसने वाले स्पिंडल M10 के लिए रिसेप्टर फ्लाईइंज:

रिसेप्टर फ्लाईइंज का उपयोग दोनों तरफ से किया जा सकता है।

शिष पिसाई डिस्क

► विशेष पिसाई डिस्क के साथ काम करते समय हमेशा हस्त सुरक्षा (17) का उपयोग करें।

रेतमाल का रबर का पैड

► रबर सैंडिंग पैड (18) के साथ काम करते समय हमेशा हस्त सुरक्षा (17) का उपयोग करें।

स्थापना के क्रम को ग्राफ़िक पृष्ठ पर दिखाया गया है।

गोल नट (20) खोलें और इसे संयोजन स्पैनर (5)/(6) के साथ कसें।

कप ब्रश/ डिस्क ब्रश

► पॉट ब्रश या डिस्क ब्रश के साथ काम करते समय हमेशा हस्त सुरक्षा (17) का उपयोग करें।

स्थापना के क्रम को ग्राफ़िक पृष्ठ पर दिखाया गया है।

कप ब्रश/डिस्क ब्रश को तब तक पिसाई पेंच पर कसें, जब तक घर्षण धुरी के उभरे हुए किनारों का अंतिम धागे पर निर्धारित हो। कप ब्रश/डिस्क ब्रश को रेंची से कसें।

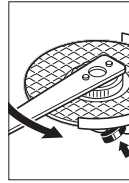
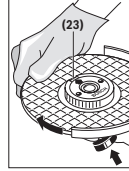
त्वरित क्लैम्पिंग नट SDS-*click*

किसी अन्य उपकरण का उपयोग किए बिना आसानी से ग्राइंडिंग उपकरण को बदलने के लिए, आप क्लैम्पिंग नट (12) के बजाय त्वरित क्लैम्पिंग नट (13) का उपयोग कर सकते हैं।

► त्वरित क्लैम्पिंग नट (13) का उपयोग केवल ग्राइंडिंग या कटिंग डिस्क के लिए किया जा सकता है।

केवल एक नए और उपयोग न किये गए त्वरित क्लैम्पिंग नट (13) का उपयोग करें।

पेंच करते समय यह सुनिश्चित करें कि त्वरित क्लैम्पिंग नट (13) का लेबल वाला पक्ष घर्षण धुरी का सामना नहीं करता है; तीर को अनुक्रमणिका चिह्न (23) की ओर रखना आवश्यक है।



घर्षण धुरी को बंद करने के लिए स्पिंडल लॉक बटन (1) दबाएं। जल्द कसाई नट को कसने के लिए, पिसाई डिस्क को घड़ी की दिशा में घुमाएं।

किसी सही से कसी गई और अक्षतिग्रस्त क्लिक चेंज नट को ढीला करने के लिए खुरदरी स्क्रू को हाथ से घड़ी की विपरीत दिशा में घुमाया जाता है। सरीता के क्लिक रिलीज नट को ढीला है, लेकिन संयोजन कुंजी का उपयोग न करें। संयोजन कुंजी सेंट के रूप में चित्र में दिखाया गया है

अनुमत घर्षण उपकरण

आप सभी जानेमाने पिसाई उपकरणों के लिए यह ऑपरेटिंग निर्देश इस्तेमाल कर सकते हैं।

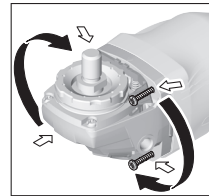
अनुमेय गति [मिनट⁻¹] या उपयोग किए जाने वाले ग्राइंडिंग उपकरण के परिधीय गति [m/s] नीचे दी गई तालिका विवरण के अनुसार अनुरूप होना चाहिए।

इसलिए, ग्राइंडिंग उपकरण के लेबल पर अनुमेय गति या परिधीय गति पर ध्यान दें।

	अधिकतम. [मिमी]	[मिमी]	[°]			
	D	b	s	d	α	[m/s] [मी/सेकंड]
	100	7	-	16,0	-	11000 80
	125	7	-	22,2	-	11000 80
	100	-	-	-	-	11000 80
	125	-	-	-	-	11000 80
	70	30	-	M 10	-	11000 45
	75	30	-	M 14	-	11000 45

गियर हेड घुमाएं

► पावर टूल पर कोई कार्य करते समय प्लग को सक्रिय से निकाल लें।



आप 90 डिग्री में गियर सिर घुमा सकते हैं। इस तरह से ऑन/ऑफ स्विच को विशिष्ट कार्य परिस्थितियों, जैसे वाएं हाथ से काम करने के लिए समुचित संचालन की स्थिति में लाया जा सकता है।

4 स्क्रू पूरी तरह बहार निकालें। आवास से बिना हटाए सावधानी से गियर हेड को नई स्थिति में घुमाएं। 4 स्क्रूओं को फिरसे कसें।

धूल / चिप वैक्यूम निष्कर्षण

सामग्री की धूल जैसे युक्त लीड पेंट, कुछ लकड़ी की प्रजातियों, खनिज एवं धातु हानिकारक हो सकते हैं। धूल से युक्त पेंट लीड के रूप में सामग्री, कुछ लकड़ी प्रजातियों, खनिज और धातु हानिकारक होती हैं। हो सकता है इनके के साथ संपर्क या साँस लेने से उपयोगकर्ता या आसपास के व्यक्तियों को धूल की एलर्जी और साँस की बीमारियों का कारण हो सकता है। विशिष्ट धूल जैसे ओक या वीच की धूल के रूप में विशेष रूप से लकड़ी उपचार के लिए योजकों का संयोजन किए हुए कार्सिनोजन (क्रोमेट, परिरक्षक लकड़ी), वर्गीकृत किए गये हैं। एम्बेस्टस युक्त सामग्री पर केवल विशेषज्ञों द्वारा काम किया जा सकता है।

- यदि संभव हो तो एक धूल निकासी प्रणाली उपयुक्त सामग्री के लिए का उपयोग करें।
- कार्यस्थल के लिए अच्छा वेंटिलेशन प्रदान करें।
- यह फ़िल्टर वर्ग P2 के साथ एक सुरक्षात्मक मास्क पहनने के लिए सिफारिश की गई है।

जिन सामग्रियों पर काम करना है, उनके संदर्भ में अपने देश में लागू प्रावधानों का ध्यान रखें।

- ▶ **कार्य स्थल पर धूल को जमा न होने दें।** धूल में आसानी से आग लग सकती है।

संचालन

प्रथम शुरुआत

- ▶ **वोल्टेज नोट करें। पावर का वोल्टेज पावर टूल के टाइप प्लेट पर दी गई जानकारी से मिलता जुलता होना चाहिए। 230 V के साथ चिह्नित बिजली उपकरण 220 V पर भी कनेक्ट कर सकते हैं।**

जब बिजली उपकरण मोबाइल जनरेटर (जेनरेटर), जो पर्याप्त कार्य भंडारण उपयुक्त वोल्टेज विनियमन, कार्य क्षमता के अवक्रमण कारण हो सकते हैं या जब आप चालू करें व्यवहार हो सकता है।

कृपया ध्यान दें जनरेटर आपके द्वारा, और विशेष रूप से साधन वोल्टेज आवृत्ति के संबंध में प्रयुक्त की उपयुक्तता।

सामग्री	आवेदन	एप्प्लीकेशन औजार	स्थिति हेन्ड व्हील
धातु	रंग हटाना	सैंडिंग शीट	2-3
धातु	ब्रश, जंग हटाना	कप ब्रश, सैंडिंग शीट	3
धातु, पत्थर	ग्राइन्ड करना	घर्षण डिस्क	4-6
धातु	कच्ची पिसाई	घर्षण डिस्क	6
धातु	काटना	कटिंग डिस्क	6

दिए गए गति की स्टेप्स के मूल्य, मानक मूल्य हैं।

- ▶ **एक्सेसरी की निर्धारित गति कम से कम पावर टूल पर चिह्नित अधिकतम गति के बराबर होना चाहिए।** निर्धारित गति से तेज़ चल रही एक्सेसरी टूट सकती है और अलग हो सकती है।

कार्य निर्देश

- ▶ **पावर टूल पर कोई कार्य करते समय प्लग को सॉकेट से निकाल लें।**
- ▶ **भारवाही दीवारों को काटने समय सावधानी बरतें, इसके लिए „संरचनात्मक विश्लेषण से सम्बंधित निर्देश“ अनुभाग देखें।**

चालू करना/बंद करना

बिजली उपकरण **शुरू करने के लिए** चालू/ बंद स्विच (2) आगे दबाए |

दबाए हुए चालू/बंद स्विच को **व्यवस्थित** करने के लिए (2) चालू/बंद स्विच (2) को सामने नीचे तक दबाएं, जब तक कि यह लॉक- इन न हो जाए।

बिजली उपकरण **बंद करने के लिए**, चालू/बंद स्विच (2) दबाकर बंद करें, चालू/बंद स्विच (2) नीचे दबाकर छोड़ दें।

- ▶ **उपयोग करने से पहले पीसने के उपकरणों को जाँच लें। पीसने का उपकरण सही ढंग से स्थापित होना चाहिए और स्वतंत्र रूप से घुम सके इस स्थिति में होना चाहिए। बिना लोड दिए कम से कम 1 मिनट के लिए चला कर जाँच लें। कृपया क्षतिग्रस्त, गैर-परिपत्र या हिलने वाले पीसने के उपकरण का उपयोग न करें। क्षतिग्रस्त पिसाई उपकरण चकनाचूर हो सकता है और चोट का कारण बन सकता है।**

पुनः शुरुआत से सुरक्षा (GWS 900-125 S)

शुरू करने के बाद बिजली की आपूर्ति में कोई रुकावट अनियंत्रित बिजली उपकरण के वापस स्टार्ट-अप का संरक्षण रोकता है।

फिर से **कार्यान्वित करने के लिए** चालू/ बंद स्विच (2) को बंद स्थिति में लाएं और पावर टूल को फिर से चालू करें।

सहज शुरुआत (GWS 900-125 S)

इलेक्ट्रॉनिक सहज शुरुआत स्विच ऑन करते समय टॉक को सीमित करती है और पावर टूल के सरल स्टार्ट अप को सक्षम करती है।

सूचना: यदि पावर टूल स्विच ऑन के बाद तुरंत ही अधिकतम गति पर चलता है, तो सहज शुरुआत और पुनरारंभ सुरक्षा नाकाम हो गए हैं। पावर टूल ग्राहक सेवा को तुरंत भेजें, (पते के लिए "ग्राहक सेवा और उपयोग सलाह" अनुभाग देखें)।

गति का पूर्व चयन (GWS 900-125 S)

गति के पूर्व चयन की तरफ हेन्ड व्हील के द्वारा (3) आप आवश्यक गति का संचालन के दौरान भी चयन कर सकते हैं। नीचे दी गई तालिका में अनुशंसित मूल्य दिए गए हैं।

- ▶ **वर्कपीस को करें, जब तक की यह अपने वजन के सापेक्ष सुरक्षित नहीं हो जाता।**
- ▶ **पाँवर टूल को बहुत ज्यादा लोड नहीं करें, कि वह एकदम ही बँड हो जाए।**
- ▶ **पावर टूल का अधिक उपयोग करने के बाद उसे ठंडा होने के लिए कुछ मिनट उपयोग में नहीं लाएं।**
- ▶ **कटाई डिस्क के साथ पावर टूल को इस्तेमाल नहीं करें।**
- ▶ **पीसने और काटने वाली आरी को जबतक वह शांत न हो जाए तबतक कृपया उसे न छुएं। डिस्क काम के दौरान बहुत गरम हो जाते हैं।**

कच्ची पिसाई

▶ कभी भी कटाई डिस्क का प्रयोग पिसाई के लिए नहीं करें।

30° से 40° के बर्क एंगल के साथ आपको ग्राइंडिंग के लिए सबसे अच्छा परिणाम मिलता है। उपकरण को माध्यम दबाव से आगे और पीछे की जाएं। इससे कार्य घटक ज्यादा गरम नहीं होगा, बेरंग नहीं होता अणि उस पर खांचे भी नहीं होती।

विशेष पिसाई डिस्क

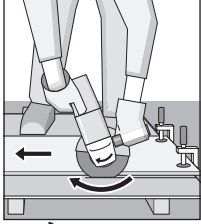
फ्लैप डिस्क (एक्ससेरीज) के साथ आप घुमावदार सतहों पर और प्रोफाइलों पर काम कर सकते हैं। फ्लैप डिस्क का जीवन काल लम्बा होता है, कम शोर करते हैं, और पारंपरिक पिसाई पहियों के तुलना में कम तापमान में घर्षण करते हैं।

धातु से काटना

▶ बंधे हुए अपघर्षक के साथ काटने पर, (15) को काटने के लिए हमेशा सुरक्षात्मक आवरण का उपयोग करें।

माध्यम दबाव के साथ फ्लैप डिस्क कटाई के दौरान फैशन, सामग्री मशीनीकृत अनुकूलित करते हैं कटाई डिस्क पर न दबाव, झुकाव या हिलना लागू नहीं होता।

बहार निकलने वाली कटाई डिस्क को विरुद्ध दिशा में दबाव डालके ना रोकें।



पावर टूल को एक सामान दबाव के साथ चलाना चाहिए। अन्यथा यह खतरा होता है की वह स्लॉट में से अनियंत्रित दबने का खतरा है। प्रोफाइल और स्क्रायर ट्यूब को काटते समय, सबसे छोटे क्रॉस-सेक्शन का उपयोग करना सबसे अच्छा है।

पत्थर से काटना

▶ पत्थर में काटते समय पर्याप्त धूल निकासी सुनिश्चित करें।

▶ धूल से सुरक्षा के लिए मास्क पहनें।

▶ पावर टूल का उपयोग केवल ड्राई कटिंग / ड्राई पीस के लिए किया जा सकता है।

पत्थर की सर्वोत्तम कटाई के लिए हीरे युक्त कटाई डिस्क का इस्तेमाल करें।

अति कठिन सामग्री को कटाने के समय, उदाहार्थ वजरी सामग्री हिरा युक्त कर्तन डिस्क ज्यादा गरम हो जाती है और उससे क्षतिग्रस्त हो जाती है। एक हीरे के कर्तन डिस्क से निश्चित धूल कण उसके अंतर चले जाते हैं।

ऐसी स्थिति में कटाई रोकें एवं हिरा युक्त कटाई डिस्क को कुछ पलों के लिए खली चलने दें जिससे वह ठंडा हो जाए।

काफ़ी काम बड़ चूका है और एक परिधीय रिम धूल को कम करने के लिए एक सुस्त हीरा पहिया के संकेत मिल रहे हैं। अपघर्षक सामग्री आप छोटे कटे स्लॉट्स में जैसे चुना वाले पत्थर से फिर से तेज कर सकते हैं।

स्टैटिक्स के लिए निर्देश

लोड-बेयरिंग दीवारों पर स्लॉट्स देश के विशिष्ट कानूनों पर आधारित हैं। यह नियमोंका पालन अनिवार्य है। काम शुरू करने से पहले जिम्मेदार स्टैटिक शिल्पकार या प्रासंगिक घटक सलाहकार से सलाह लें।

देखभाल एवं सर्विस

देखभाल एवं सफाई

▶ पावर टूल पर कोई कार्य करते समय प्लग को सक्रिय से निकाल लें।

▶ अच्छी तरह काम करने के लिए और सुरक्षा के लिए, पावर टूल्स एवं वैटिलेशन स्लॉट्स को साफ़ रखें।

▶ दुष्कर कार्य परिस्थितियों में, यदि संभव हो तो, हमेशा एक निकास इकाई का उपयोग करें। वैटिलेशन स्लॉट को बार-बार बाहर करें और एक बाह्य करंट सर्किट ब्रेकर (PRCD) कनेक्ट करें। धातुओं के प्रसंस्करण में, प्रवाहकीय धूल पावर टूल्स के अंदर प्रवेश कर सकते हैं। पावर टूल के सुरक्षात्मक इन्सुलेशन में बिगड़ा हो सकता है।

एक्ससेरीज को ध्यान से संग्रहण एवं प्रबंधन करें।

कनेक्शन केवल को बदलने की आवश्यकता पड़ने पर, सुरक्षा से सम्बंधित खतरों एवं जोखिमों से बचने के लिए इसे सिर्फ Bosch द्वारा या Bosch ग्राहक सेवा केंद्र द्वारा बदला जाना चाहिए या उनके द्वारा अधिकृत किया जाना चाहिए।

ग्राहक सेवा एवं उपयोग सलाह

ग्राहक सेवा आपके उनके उत्पादों तथा देखभाल के विषय में आपके सवालों का जवाब देगी। स्पेयर पार्ट्स के बारे में अधिक जानकारी और विस्तृत (एक्सप्लोड) दृश्य यहाँ भी मिल सकते हैं: www.bosch-pt.com

Bosch की एप्लीकेशन परामर्श टीम हमारे उत्पादों और उनके सहायक उपकरणों के संदर्भ में आपके सभी प्रश्नों में आपकी सहायता करेगी।

पत्राचार के दौरान तथा स्पेयर पुर्जों का ऑर्डर देते समय, उत्पाद के लेबल पर दर्ज 10 अंको वाली आर्टिकल संख्या अवश्य प्रदान करें।

भारत

Bosch सर्विस सेंटर

69, हवीबुल्लाह रोड, (पीएसबीवी स्कूल के आगे), टी. नगर चेन्नई – 600077

फ़ोन: (044) 64561816

Bosch सर्विस सेंटर

18, कम्प्युनिटी

सेंटरफेस 1, मायापुरी

नई दिल्ली – 110064

फ़ोन: (011) 43166190

Bosch सर्विस सेंटर

शॉप नंबर 7 और 8, एस्पेन गार्डन

वालभट रोड, गोरगांव (ई)

राम मंदिर रेलवे स्टेशन के पास

मुंबई – 400063

मोबाइल: 09819952950

सर्विस से जुड़े अन्य पते यहाँ उपलब्ध हैं:

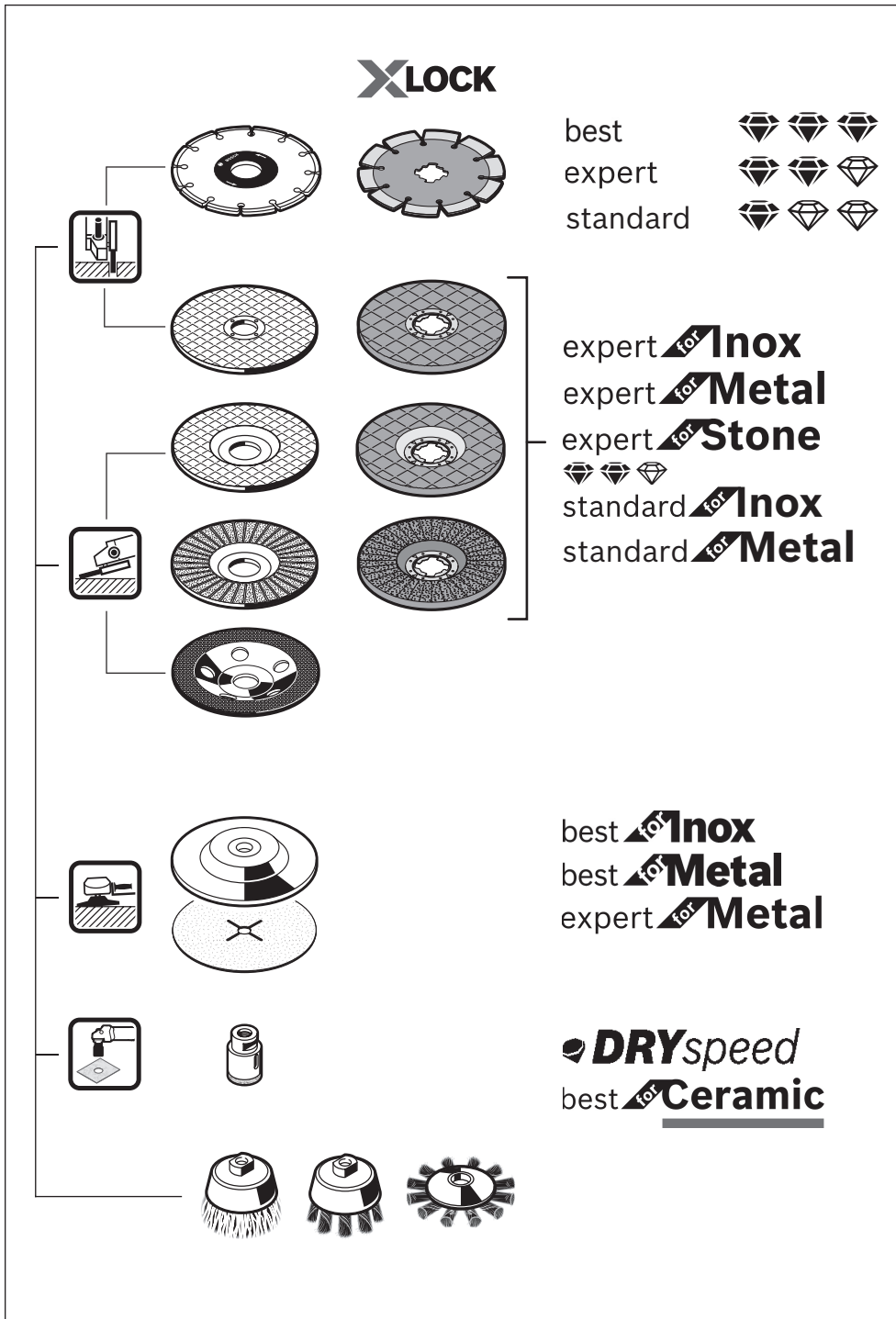
www.bosch-pt.com/serviceaddresses

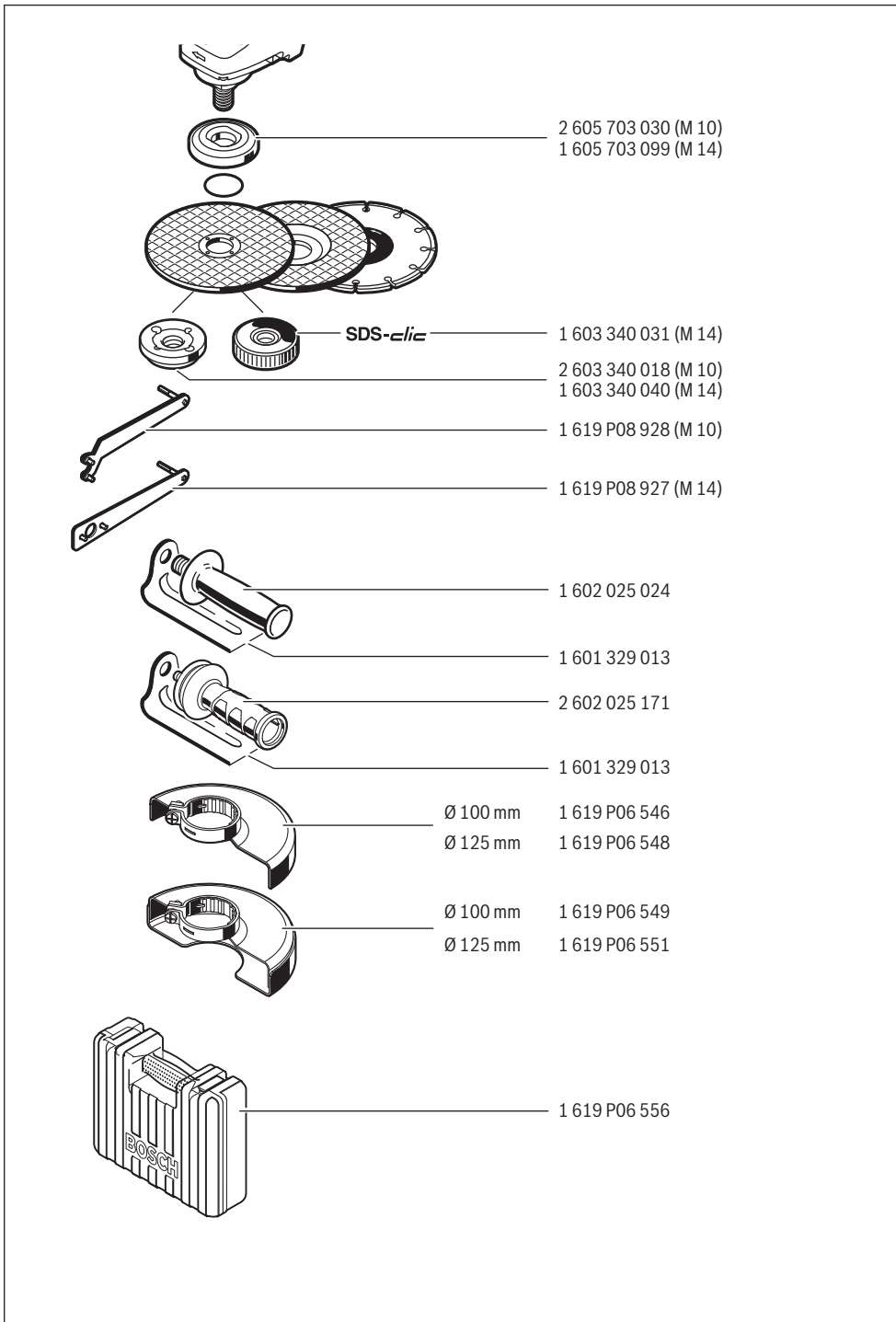
निपटान

पावर टूल्स, सहायक उपकरणों और पैकेजिंग का पुनर्चक्रण पर्यावरण के अनुकूल किया जाना चाहिए।



बिजली उपकरणों का निपटान घरेलू कचरे में न करें!





Licenses

Copyright © 2020, Microchip Technology Inc. and its subsidiaries ("Microchip")

All rights reserved.

This software is developed by Microchip Technology Inc. and its subsidiaries ("Microchip").

Redistribution and use in source and binary forms, with or without modification, are permitted provided that the following conditions are met:

- Redistributions of source code must retain the above copyright notice, this list of conditions and the following disclaimer.
- Redistributions in binary form must reproduce the above copyright notice, this list of conditions and the following disclaimer in the documentation and/or other materials provided with the distribution.
- Microchip's name may not be used to endorse or promote products derived from this software without specific prior written permission.

THIS SOFTWARE IS PROVIDED BY MICROCHIP "AS IS" AND ANY EXPRESS OR IMPLIED WARRANTIES, INCLUDING, BUT NOT LIMITED TO, THE IMPLIED WARRANTIES OF MERCHANTABILITY AND FITNESS FOR PURPOSE ARE DISCLAIMED. IN NO EVENT SHALL MICROCHIP BE LIABLE FOR ANY DIRECT, INDIRECT, INCIDENTAL, SPECIAL, EXEMPLARY, OR CONSEQUENTIAL DAMAGES (INCLUDING BUT NOT LIMITED TO PROCUREMENT OF SUBSTITUTE GOODS OR SERVICES; LOSS OF USE, DATA OR PROFITS; OR BUSINESS INTERRUPTION) HOWSOEVER CAUSED AND ON ANY THEORY OF LIABILITY, WHETHER IN CONTRACT, STRICT LIABILITY, OR TORT (INCLUDING NEGLIGENCE OR OTHERWISE) ARISING IN ANY WAY OUT OF THE USE OF THIS SOFTWARE, EVEN IF ADVISED OF THE POSSIBILITY OF SUCH DAMAGE.