

Robert Bosch GmbH

Geschäftsbereich Elektrowerkzeuge
D-70745 Leinfelden-Echterdingen
Germany

www.bosch-pt.com

1 609 929 N82 (2008.07) O / 91 ASIA

GKS Professional

165 | 190



us Original operating instructions

cn 正本使用说明书

tw 正本使用說明書

ko 사용 설명서 원본

th หนังสือคู่มือการใช้งานฉบับต้นแบบ

id Petunjuk-Petunjuk untuk

Penggunaan Orisinal

vn Bảng hướng dẫn nguyên bản

fr Notice originale

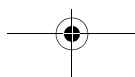
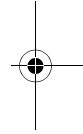
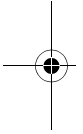
ar تعليمات التشغيل الأصلية

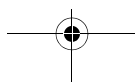
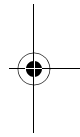
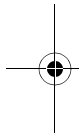
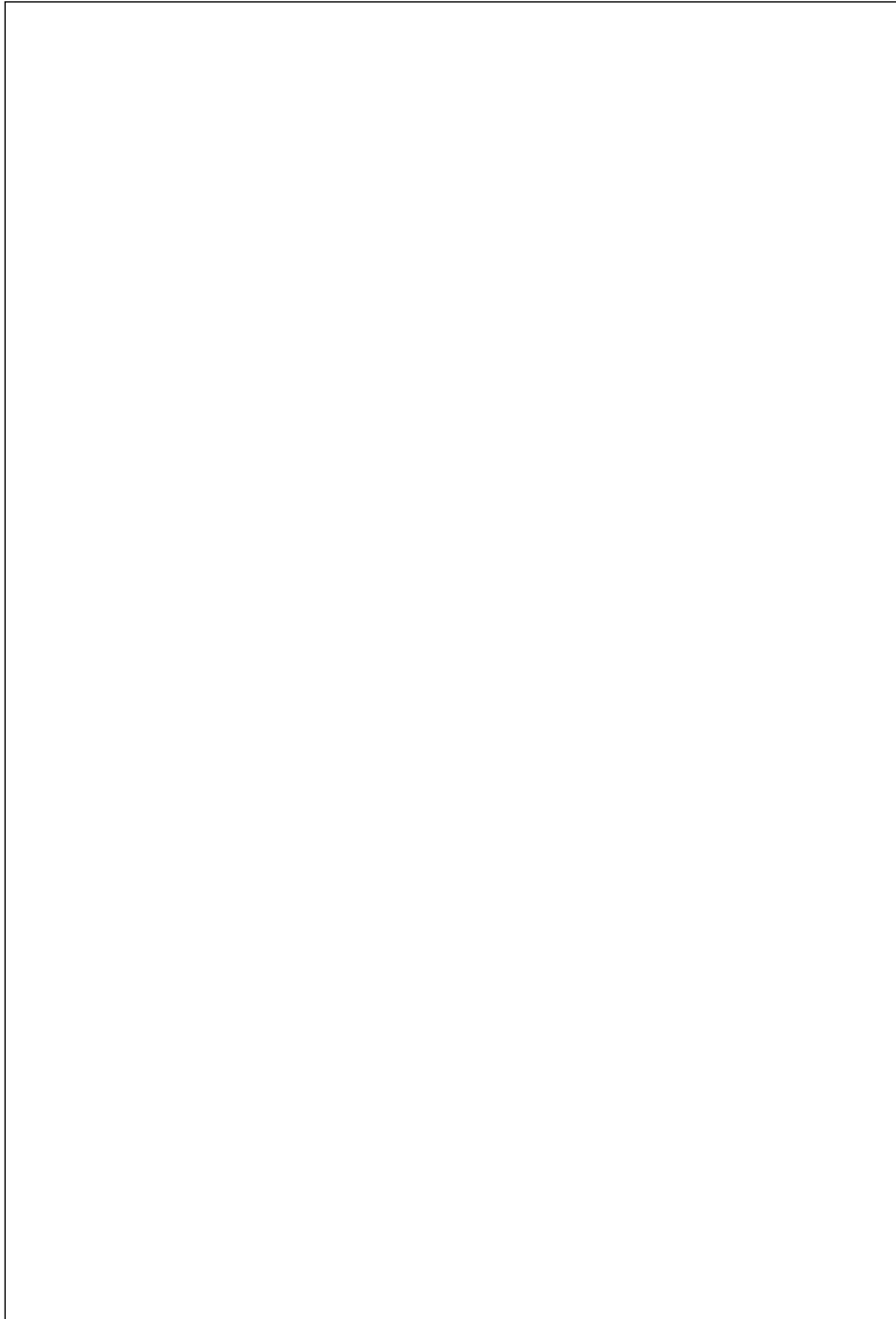
fa راهنمای طرز کار اصلی

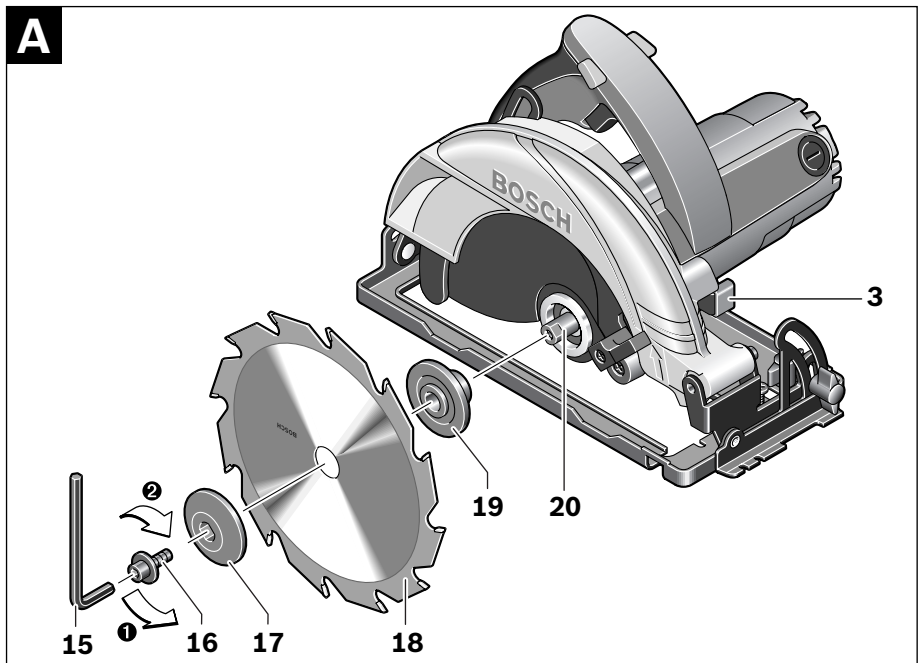
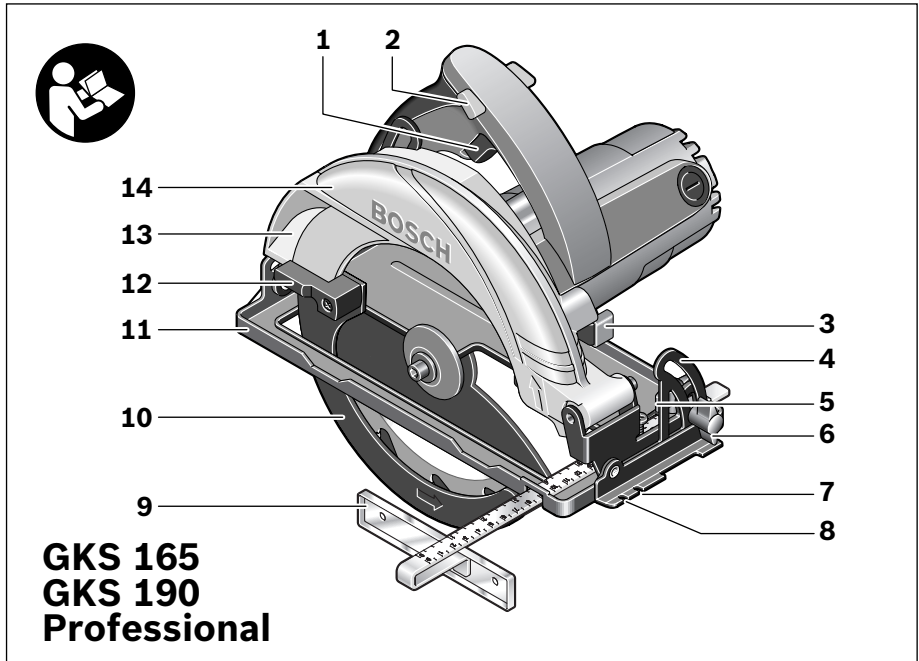


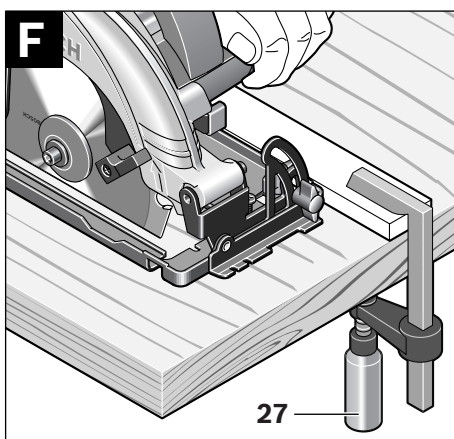
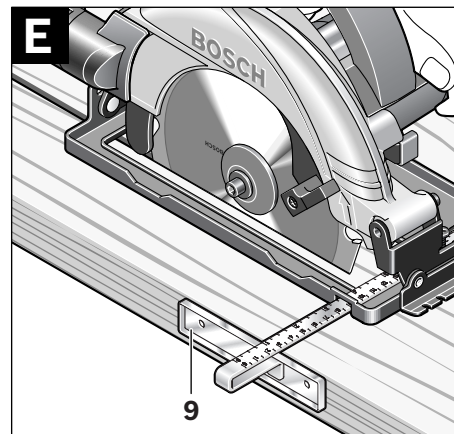
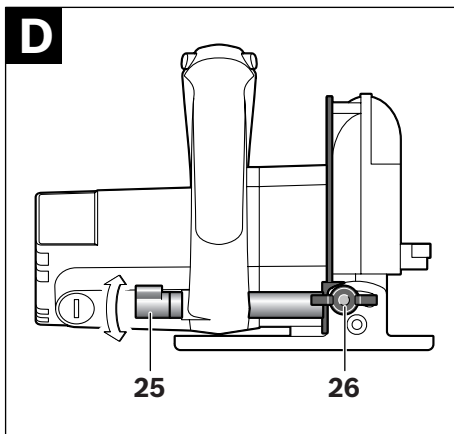
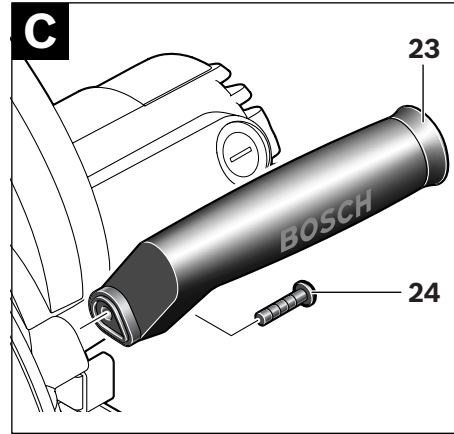
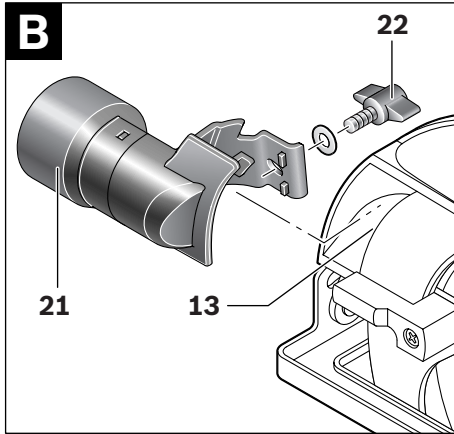


English	Page 6
中文.....	页 15
中文.....	頁 22
한국어.....	면 29
ภาษาไทย.....	หน้า 36
Bahasa Indonesia	Halaman 44
Tiếng Việt.....	Trang 54
Français	Page 62
عربي.....	صفحة 72
فارسی.....	صفحه 80









General Power Tool Safety Warnings

⚠ WARNING Read all safety warnings and all instructions. Failure to follow the warnings and instructions may result in electric shock, fire and/or serious injury.

Save all warnings and instructions for future reference.

The term “power tool” in the warnings refers to your mains-operated (corded) power tool or battery-operated (cordless) power tool.

1) Work area safety

- a) **Keep work area clean and well lit.** Cluttered or dark areas invite accidents.
- b) **Do not operate power tools in explosive atmospheres, such as in the presence of flammable liquids, gases, or dust.** Power tools create sparks which may ignite the dust or fumes.
- c) **Keep children and bystanders away while operating a power tool.** Distractions can cause you to lose control.

2) Electrical safety

- a) **Power tool plugs must match the outlet. Never modify the plug in any way. Do not use any adapter plugs with earthed (grounded) power tools.** Unmodified plugs and matching outlets will reduce the risk of electric shock.
- b) **Avoid body contact with earthed or grounded surfaces, such as pipes, radiators, ranges and refrigerators.** There is an increased risk of electric shock if your body is earthed or grounded.
- c) **Do not expose power tools to rain or wet conditions.** Water entering a power tool will increase the risk of electric shock.
- d) **Do not abuse the cord. Never use the cord for carrying, pulling or unplugging the power tool. Keep cord away from heat, oil, sharp edges or moving parts.** Damaged or entangled cords increase the risk of electric shock.

e) **When operating a power tool outdoors, use an extension cord suitable for outdoor use.** Use of a cord suitable for outdoor use reduces the risk of electric shock.

f) **If operating a power tool in a damp location is unavoidable, use a residual current device (RCD) protected supply.** Use of an RCD reduces the risk of electric shock.

3) Personal safety

a) **Stay alert, watch what you are doing and use common sense when operating a power tool. Do not use a power tool while you are tired or under the influence of drugs, alcohol, or medication.** A moment of inattention while operating power tools may result in serious personal injury.

b) **Use personal protective equipment. Always wear eye protection.** Protective equipment such as dusk mask, non-skid safety shoes, hard hat or hearing protection used for appropriate conditions will reduce personal injuries.

c) **Prevent unintentional starting. Ensure the switch is in the off-position before connecting to power source and/or battery pack, picking up or carrying the tool.** Carrying power tools with your finger on the switch or energizing power tools that have the switch on invites accidents.

d) **Remove any adjusting key or wrench before turning the power tool on.** A wrench or a key that is left attached to a rotating part of the power tool may result in personal injury.

e) **Do not overreach. Keep proper footing and balance at all times.** This enables better control of the power tool in unexpected situations.

f) **Dress properly. Do not wear loose clothing or jewelry. Keep your hair, clothing, and gloves away from moving parts.** Loose clothes, jewelry, or long hair can be caught in moving parts.

- g) If devices are provided for the connection of dust extraction and collection facilities, ensure these are connected and properly used.** Use of dust collection can reduce dust-related hazards.

4) Power tool use and care

- a) Do not force the power tool. Use the correct power tool for your application.** The correct power tool will do the job better and safer at the rate for which it was designed.
- b) Do not use the power tool if the switch does not turn it on and off.** Any power tool that cannot be controlled with the switch is dangerous and must be repaired.
- c) Disconnect the plug from the power source and/or the battery pack from the power tool before making any adjustments, changing accessories, or storing power tools.** Such preventive safety measures reduce the risk of starting the power tool accidentally.
- d) Store idle power tools out of the reach of children and do not allow persons unfamiliar with the power tool or these instructions to operate the power tool.** Power tools are dangerous in the hands of untrained users.
- e) Maintain power tools. Check for misalignment or binding of moving parts, breakage of parts and any other condition that may affect the power tool's operation. If damaged, have the power tool repaired before use.** Many accidents are caused by poorly maintained power tools.
- f) Keep cutting tools sharp and clean.** Properly maintained cutting tools with sharp cutting edges are less likely to bind and are easier to control.
- g) Use the power tool, accessories, tool bits etc. in accordance with these instructions, taking into account the working conditions and the work to be performed.** Use of the power tool for operations different from those intended could result in a hazardous situation.

5) Service

- a) Have your power tool serviced by a qualified repair person using only identical replacement parts.** This will ensure that the safety of the power tool is maintained.

Power Tool-specific Safety Warnings

- ▶ **DANGER: Keep hands away from cutting area and the blade. Keep your second hand on auxiliary handle, or motor housing.** If both hands are holding the saw, they cannot be cut by the blade.
- ▶ **Do not reach underneath the workpiece.** The guard cannot protect you from the blade below the workpiece.
- ▶ **Adjust the cutting depth to the thickness of the workpiece.** Less than a full tooth of the blade teeth should be visible below the workpiece.
- ▶ **Never hold the workpiece being cut in your hands or across your leg. Secure the workpiece to a stable platform.** It is important to support the work properly to minimize body exposure, blade binding, or loss of control.
- ▶ **Hold the power tool only by the insulated gripping surfaces when performing an operation where the cutting tool may contact hidden wiring or its own power cord.** Contact with a "live" wire will also make exposed metal parts of the power tool "live" and shock the operator.
- ▶ **When ripping, always use a rip fence or straight edge guide.** This improves the accuracy of cut and reduces the chance of blade binding.
- ▶ **Always use blades with correct size and shape (diamond versus round) of arbor holes.** Blades that do not match the mounting hardware of the saw will run eccentrically, causing loss of control.
- ▶ **Never use damaged or incorrect blade washers or bolt.** The blade washers and bolt were specially designed for your saw, for optimum performance and safety of operation.

8 | English

- ▶ **Causes and operator prevention of kickback:**
 - Kickback is a sudden reaction to a pinched, bound or misaligned saw blade, causing an uncontrolled saw to lift up and out of the workpiece toward the operator.
 - When the blade is pinched or bound tightly by the kerf closing down, the blade stalls and the motor reaction drives the unit rapidly back toward the operator.
 - If the blade becomes twisted or misaligned in the cut, the teeth at the back edge of the blade can dig into the top surface of the wood, causing the blade to climb out of the kerf and jump back toward the operator. Kickback is the result of saw misuse and/or incorrect operating procedures or conditions, and can be avoided by taking proper precautions as given below.
- ▶ **Maintain a firm grip with both hands on the saw and position your arms to resist kickback forces. Position your body to either side of the blade, but not in line with the blade.** Kickback could cause the saw to jump backwards, but kickback forces can be controlled by the operator, if proper precautions are taken.
- ▶ **When blade is binding, or when interrupting a cut for any reason, release the trigger and hold the saw motionless in the material until the blade comes to a complete stop. Never attempt to remove the saw from the work or pull the saw backward while the blade is in motion or kickback may occur.** Investigate and take corrective actions to eliminate the cause of blade binding.
- ▶ **When restarting a saw in the workpiece, center the saw blade in the kerf and check that saw teeth are not engaged into the material.** If the saw blade is binding, it may walk up or kickback from the workpiece as the saw is restarted.
- ▶ **Support large panels to minimize the risk of blade pinching and kickback.** Large panels tend to sag under their own weight. Supports must be placed under the panel on both sides, near the line of cut and near the edge of the panel.
- ▶ **Do not use dull or damaged blades.** Unsharpened or improperly set blades produce narrow kerf, causing excessive friction, blade binding and kickback.
- ▶ **Blade depth and bevel adjusting locking levers must be tight and secure before making cuts.** If blade adjustment shifts while cutting, it may cause binding and kickback.
- ▶ **Use extra caution when making a “plunge cut” into existing walls or other blind areas.** The protruding blade may cut objects that can cause kickback.
- ▶ **Check lower guard for proper closing before each use. Do not operate the saw if lower guard does not move freely and close instantly. Never clamp or tie the lower guard into the open position.** If saw is accidentally dropped, lower guard may be bent. Raise the lower guard with the retracting handle and make sure it moves freely and does not touch the blade or any other part, in all angles and depths of cut.
- ▶ **Check the operation of the lower guard spring. If the guard and the spring are not operating properly, they must be serviced before use.** Lower guard may operate sluggishly due to damaged parts, gummy deposits, or a build-up of debris.
- ▶ **Lower guard should be retracted manually only for special cuts such as “plunge cuts and compound cuts”. Raise lower guard by retracting handle and as soon as blade enters the material, the lower guard must be released.** For all other sawing, the lower guard should operate automatically.
- ▶ **Always observe that the lower guard is covering the blade before placing saw down on bench or floor.** An unprotected, coasting blade will cause the saw to walk backwards, cutting whatever is in its path. Be aware of the time it takes for the blade to stop after switch is released.
- ▶ **Do not reach into the saw dust ejector with your hands.** They could be injured by rotating parts.
- ▶ **Do not work overhead with the saw.** In this manner, you do not have sufficient control over the power tool.

- ▶ **Use suitable detectors to determine if utility lines are hidden in the work area or call the local utility company for assistance.** Contact with electric lines can lead to fire and electric shock. Damaging a gas line can lead to explosion. Penetrating a water line causes property damage or may cause an electric shock.
- ▶ **Do not operate the power tool stationary.** It is not designed for operation with a saw table.
- ▶ **Do not use high speed steel (HSS) saw blades.** Such saw blades can easily break.
- ▶ **Do not saw ferrous metals.** Red hot chips can ignite the dust extraction.
- ▶ **When working with the power tool, always hold it firmly with both hands and provide for a secure stance.** The power tool is guided more secure with both hands.
- ▶ **Secure the workpiece.** A workpiece clamped with clamping devices or in a vice is held more secure than by hand.
- ▶ **Always wait until the power tool has come to a complete stop before placing it down.** The tool insert can jam and lead to loss of control over the power tool.
- ▶ **Do not use the power tool with a damaged cord. Do not touch the damaged cord and pull the plug from the outlet when the cord is damaged while working.** Damaged cords increase the risk of an electric shock.

Functional Description



Read all safety warnings and all instructions. Failure to follow the warnings and instructions may result in electric shock, fire and/or serious injury.

While reading the operating instructions, unfold the graphics page for the tool and leave it open.

Intended Use

The machine is intended for lengthways and crossways cutting of wood with straight cutting lines as well as mitre cuts in wood while resting firmly on the workpiece. With suitable saw blades, thin-walled non-ferrous metals, e. g., profiles, can also be sawed.

Working ferrous metals is not permitted.

Product Features

The numbering of the product features refers to the illustration of the power tool on the graphics page.

- 1 On/Off switch
- 2 Lock-off button for On/Off switch (3 601 E23 X../3 601 E23 0B./3 601 E22 X..)
- 2 Lock-on button for On/Off switch (3 601 E23 0C./3 601 E23 0K./3 601 E23 0L./3 601 E22 0..)
- 3 Spindle lock button
- 4 Scale for miter angle
- 5 Wing bolt for parallel guide
- 6 Wing bolt for bevel-angle preselection
- 7 Cutting mark, 45°
- 8 Cutting mark, 0°
- 9 Parallel guide
- 10 Retracting blade guard
- 11 Base plate
- 12 Lever for retracting blade guard
- 13 Sawdust ejector (3 601 E23 ...)
- 14 Blade guard
- 15 Hex key
- 16 Clamping bolt with washer
- 17 Clamping flange
- 18 Saw blade*
- 19 Mounting flange
- 20 Saw spindle
- 21 Extraction adapter (3 601 E23 ...)*
- 22 Fastening screw for extraction adapter (3 601 E23 ...)*
- 23 Auxiliary handle*
- 24 Screw for auxiliary handle*
- 25 Wing bolt for cutting-depth preselection
- 26 Wing bolt for bevel-angle preselection
- 27 Set of screw clamps*

***The accessories illustrated or described are not included as standard delivery.**

Technical Data

Circular Saw	GKS ... Professional	190	190	190	165
Article number	3 601 ...	E23 0C. E23 0L. E23 0K.	E23 0B.	E23 X4.	E22 0K. E22 X4.
Rated power input	W	1050	1050	1050	1050
No-load speed	rpm	4800	4800	4800	5000
Cutting depth, max.					
– for 0° bevel angle	mm	66	66	66	55
– for 45° bevel angle	mm	46	46	46	36
Spindle lock		●	●	●	●
Base plate dimensions	mm	130 x 260	130 x 260	130 x 260	130 x 240
Saw blade diameter, max.	"	7½	7½	7½	6½
Saw blade diameter, min.	"	7¼	7¼	7¼	6¼
Blade thickness, max.	mm	1.6	1.6	1.6	1.6
Mounting bore	mm	20	19	20	20
Weight according to EPTA-Procedure 01/2003	kg	3.8	3.8	3.8	3.6
Protection class		□ / II	□ / II	□ / II	□ / II

The values given are valid for nominal voltages [U] of 230/240 V. For lower voltages and models for specific countries, these values can vary.

Please observe the article number on the type plate of your power tool. The trade names of individual tools may vary.

Assembly

Mounting/Replacing the Saw Blade

- ▶ **Before any work on the power tool itself, pull the mains plug.**
- ▶ **When mounting the saw blade, wear protective gloves.** Danger of injury when touching the saw blade.
- ▶ **Only use saw blades that correspond with the characteristic data given in the operating instructions.**
- ▶ **Do not under any circumstances use grinding discs as the cutting tool.**

Selecting a Saw Blade

An overview of recommended saw blades can be found at the end of this manual.

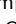

Removal of the Saw Blade (see figure A)

For changing the cutting tool, it is best to place the power tool on the face side of the motor housing.

- Press the spindle lock button **3** and keep it pressed.
- ▶ **The spindle lock button 3 may be actuated only when the saw spindle is at a standstill.** Otherwise, the power tool can be damaged.
- With the hex key **15**, unscrew the clamping bolt **16** turning in rotation direction **1**.
- Tilt back the retracting blade guard **10** and hold firmly.
- Remove the clamping flange **17** and the saw blade **18** from the saw spindle **20**.

Mounting the Saw Blade (see figure A)

For changing the cutting tool, it is best to place the power tool on the face side of the motor housing.

- Clean the saw blade **18** and all clamping parts to be assembled.
- Tilt back the retracting blade guard **10** and hold firmly.
- Place the saw blade **18** on to the mounting flange **19**. The cutting direction of the teeth (direction or arrow on saw blade) and the direction-of-rotation arrow on the blade guard **14** must correspond.
- Mount the clamping flange **17** and screw in the clamping bolt **16** turning in rotation direction . Observe correct mounting position of mounting flange **19** and clamping flange **17**.
- Press the spindle lock button **3** and keep it pressed.
- With the hex key **15**, tighten the clamping bolt **16** turning in rotation direction . The tightening torque is between 6–9 Nm, which corresponds to hand tight plus ¼ turn.

Dust/Chip Extraction

- ▶ **Before any work on the power tool itself, pull the mains plug.**
- ▶ Dusts from materials such as lead-containing coatings, some wood types, minerals and metal can be harmful to one's health. Touching or breathing-in the dusts can cause allergic reactions and/or lead to respiratory infections of the user or bystanders.

Certain dusts, such as oak or beech dust, are considered as carcinogenic, especially in connection with wood-treatment additives (chromate, wood preservative). Materials containing asbestos may only be worked by specialists.

 - Use dust extraction whenever possible.
 - Provide for good ventilation of the working place.
 - It is recommended to wear a P2 filter-class respirator.

Observe the relevant regulations in your country for the materials to be worked.

Mounting the Extraction Adapter (3 601 E23 ...) (see figure B)

Attach the extraction adapter **21** onto the saw-dust ejector **13** until it latches. Secure the extraction adapter **21** additionally with the screw **22**. A vacuum hose with a diameter of 35 mm can be connected to the extraction adapter **21**.

- ▶ **The extraction adapter may not be mounted when no external dust extraction is connected.** Otherwise the extraction channel can become clogged.
- ▶ **Do not connect a dust bag to the extraction adapter.** Otherwise the extraction system can become clogged.

To ensure optimum extraction, the extraction adapter **21** must be cleaned regularly.

External Dust Extraction (3 601 E23 ...)

Connect the vacuum hose to a vacuum cleaner (accessory). An overview for connecting to various vacuum cleaners can be found at the end of this manual.

The machine can be plugged directly into the receptacle of a Bosch all-purpose vacuum cleaner with remote starting control. The vacuum cleaner starts automatically when the machine is switched on.

The vacuum cleaner must be suitable for the material being worked.

When vacuuming dry dust that is especially detrimental to health or carcinogenic, use a special vacuum cleaner.

Mounting the Auxiliary Handle (see figure C)

- ▶ **Before any work on the power tool itself, pull the mains plug.**

Mount the auxiliary handle **23** to the blade guard **14** with screw **24**.

Operation

Operating Modes

- **Before any work on the power tool itself, pull the mains plug.**

Adjusting the Cutting Depth (see figure D)

- **Adjust the cutting depth to the thickness of the workpiece.** Less than a full tooth of the blade teeth should be visible below the workpiece.

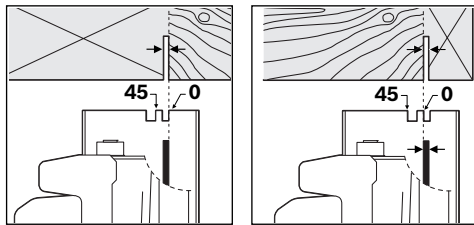
Loosen wing bolt **25**. For less cutting depth, pull the saw away from the base plate **11**; for more cutting depth, push the saw toward the base plate **11**. Tighten wing bolt **25** again.

Adjusting the Cutting Angle

It is best to place the power tool on the face side of the blade guard **14**.

Loosen the wing bolts **6** and **26**. Tilt the saw sideways. Adjust the desired measure on the scale **4**. Tighten the wing bolts **6** and **26** again.

Cutting Marks



The 0° cutting mark (**8**) indicates the position of the saw blade for right-angled cuts. The 45° cutting mark (**7**) indicates the position of the saw blade for 45° cuts.

For precise cuts, position the circular saw against the workpiece as shown in the figure. It is best to carry out a trial cut.

Starting Operation

- **Observe correct mains voltage! The voltage of the power source must agree with the voltage specified on the type plate of the power tool.**

Switching On and Off

(3 601 E23 X../3 601 E23 0B./3 601 E22 X..)

To **start** the power tool, **first** push the lock-off button for the On/Off switch **2** and **then** press the On/Off switch **1** and keep it pressed.

To switch off the power tool, **release** the On/Off switch **1**.

Note: For safety reasons, the On/Off switch **1** cannot be locked on but must remain pressed during operation.

Switching On and Off

(3 601 E23 0C./3 601 E23 0K./3 601 E23 0L./3 601 E22 0..)

To **start** the power tool, press the On/Off switch **1** and keep it pressed.

To lock the **pressed** On/Off switch **1**, press the lock-on button **2**.

To **switch off** the power tool, release the On/Off switch **1** or when it is locked with the lock-on button **2**, briefly press the On/Off switch **1** and then release it.

Working Instructions

Protect saw blades against impact and shock.

Guide the power tool evenly and with moderate feed in the cutting direction. A high feed rate significantly reduces the service life of the cutting tools and can damage the machine.

Sawing performance and cutting quality depend essentially on the condition and the tooth form of the saw blade. Therefore, use only sharp saw blades that are suited for the material to be worked.

Sawing Wood

The correct selection of the saw blade depends on the type and quality of the wood and whether lengthway or crossway cuts are required.

When cutting spruce lengthways, long spiral chips are formed.

Beech and oak dusts are especially detrimental to health. Therefore, work only with dust extraction.

Sawing with Parallel Guide (see figure E)

The parallel guide **9** enables exact cuts along a workpiece edge and cutting strips of the same dimension.

Loosen wing bolt **5** and slide the scale of the parallel guide **9** through the guide in the base plate **11**. Adjust the desired cutting width as the scale setting at the respective cutting mark **8** or **7**; see Section "Cutting Marks". Tighten wing bolt **5** again.

Sawing with Auxiliary Guide (see figure F)

For sawing large workpieces or straight edges, a board or strip can be clamped to the workpiece as an auxiliary guide; the base plate of the circular saw can be guided alongside the auxiliary guide.

Maintenance and Service**Maintenance and Cleaning**

- ▶ **Before any work on the power tool itself, pull the mains plug.**
- ▶ **For safe and proper working, always keep the power tool and the ventilation slots clean.**

The retracting blade guard must always be able to move freely and retract automatically. Therefore, always keep the area around the retracting blade guard clean. Remove dust and chips by blowing out with compressed air or with a brush.

Saw blades that are not coated can be protected against corrosion with a thin coat of acid-free oil. Before use, the oil must be removed again, otherwise the wood will become soiled.

Resin and glue residue on the saw blade produces poor cuts. Therefore, clean the saw blade immediately after use.

If the power tool should fail despite the care taken in manufacturing and testing procedures, repair should be carried out by an after-sales service center for Bosch power tools.

In all correspondence and spare parts orders, please always include the 10-digit article number given on the type plate of the power tool.

After-sales Service and Customer Assistance

Our after-sales service responds to your questions concerning maintenance and repair of your product as well as spare parts. Exploded views and information on spare parts can also be found under:

www.bosch-pt.com

Our customer consultants answer your questions concerning best buy, application and adjustment of products and accessories.

In case of a claim, repair or purchase of replacement parts or in case of queries or other problems, please contact your local dealer or Bosch representative.

People's Republic of China

Website: www.bosch-pt.com.cn

China Mainland

Bosch Power Tools (China) Co., Ltd.

567, Bin Kang Road

Bin Jiang District 310052

Hangzhou, P.R. China

Service Hotline: 800 8 20 84 84

Tel.: +86 (571) 87 77 43 38

Fax: +86 (571) 87 77 45 02

HK and Macau Special Administrative Regions

Robert Bosch Hong Kong Co. Ltd.

21st Floor, 625 King's Road

North Point, Hong Kong

Customer Service Hotline: +852 (21) 02 02 35

Fax: +852 (25) 90 97 62

E-Mail: info@hk.bosch.com

www.bosch-pt.com.cn

Indonesia

PT. Multi Tehaka

Kawasan Industri Pulogadung

Jalan Rawa Gelam III No. 2

Jakarta 13930

Indonesia

Tel.: +62 (21) 4 60 12 28

Fax: +62 (21) 46 82 68 23

E-Mail: sales@multitehaka.co.id

www.multitehaka.co.id

14 | English**Philippines**

Robert Bosch, Inc.
 Zuellig Building
 Sen. Gil Puyat Avenue
 Makati City 1200, Metro Manila
 Philippines
 Tel.: +63 (2) 8 17 32 31
 www.bosch.com.ph

Malaysia

Robert Bosch (SEA.) Pte. Ltd.
 No. 8a, Jalan 13/6
 46200 Petaling Jaya,
 Selangor,
 Malaysia
 Tel.: +6 (03) 7966 3000
 Fax: +6 (03) 7958 3838
 E-Mail: hengsiang.yu@my.bosch.com
 Toll Free Tel.: 1 800 880 188
 Fax: +6 (03) 7958 3838
 www.bosch.com.sg

Thailand

Robert Bosch Ltd.
 Liberty Square Building
 No. 287, 11 Floor
 Silom Road, Bangrak
 Bangkok 10500
 Tel.: +66 (2) 6 31 18 79 – 18 88 (10 lines)
 Fax: +66 (2) 2 38 47 83
 Robert Bosch Ltd., P. O. Box 2054
 Bangkok 10501, Thailand
 Bosch Service – Training Centre
 2869-2869/1 Soi Ban Kluay
 Rama IV Road (near old Paknam Railway)
 Prakanong District
 10110 Bangkok
 Thailand
 Tel.: +66 (2) 6 71 78 00 – 4
 Fax: +66 (2) 2 49 42 96
 Fax: +66 (2) 2 49 52 99

Singapore

Robert Bosch (SEA.) Pte. Ltd.
 38 C Jalan Pemimpin
 Singapore 915701
 Republic of Singapore
 Tel.: +65 (3) 50 54 94
 Fax: +65 (3) 50 53 27
 www.bosch.com.sg

Vietnam

Robert Bosch (SEA) Pte. Ltd – Vietnam
 Representative Office
 Saigon Trade Center, Suite 1206
 37 Ton Duc Thang Street,
 Ben Nghe Ward, District 1
 HCMC
 Vietnam
 Tel.: +84 (8) 9111 374 – 9111 375
 Fax: +84 (8) 9111376

Australia, New Zealand and Pacific Islands

Robert Bosch Australia Pty. Ltd.
 Power Tools
 Locked Bag 66
 Clayton South VIC 3169
 Customer Contact Center
 Inside Australia:
 Phone: +61 (01300) 307 044
 Fax: +61 (01300) 307 045
 Inside New Zealand:
 Phone: +64 (0800) 543 353
 Fax: +64 (0800) 428 570
 Outside AU and NZ:
 Phone: +61 (03) 9541 5555
 www.bosch.com.au

Disposal

Power tools, accessories and packaging should be sorted for environmental-friendly recycling.

Subject to change without notice.

一般安全规则

警告 阅读说明！没有按照以下列举的说明而使用或操作将导致触电、着火和/或严重伤害。

保存这些说明。

在所有以下列举的警告中术语“电动工具”指市电驱动（有线）电动工具或电池驱动（无线）电动工具。

1) 工作场地

- a) 保持工作场地清洁和明亮。混乱和黑暗的场地会引发事故。
- b) 不要在易爆环境，如有易燃液体、气体或粉尘的环境下操作电动工具。电动工具产生的火花会点燃粉尘或气体。
- c) 让儿童和旁观者离开后操纵电动工具。分心会使你放松控制。

2) 电气安全

- a) 电动工具插头必须和插座相配。绝不能以任何方式改装插头。需接地的电动工具不能使用任何转换插头。未经改装的插头和相配的插座将减少触电危险。
- b) 避免人体接触接地表面。如管道、散热片和冰箱。如果你身体接地会增加触电危险。
- c) 不得将电动工具暴露在雨中或潮湿环境中。水进入电动工具将增加触电危险。
- d) 不得滥用电线。绝不能用电线搬运、拉动电动工具或拔出其插头。让电动工具远离热、油、锐边或运动部件。受损或缠绕的电线会增加触电危险。
- e) 当在户外使用电动工具时，使用适合户外使用的外接电线。适合户外使用的电线将减少触电危险。
- f) 如果无法避免的，必须在潮湿的环境中使用电动工具，得使用故障接地线路中断器（GFCI）。使用GFCI可以减低触电的危险。

3) 人身安全

- a) 保持警觉，当操作电动工具时关注所从事的操作并保持清醒。切勿在有疲倦、药物、酒精或治疗反应下操作电动工具。在操作电动工具期间精力分散会导致严重人身伤害。
- b) 使用安全装置。始终配戴护目镜。安全装置，诸如适当条件下的防尘面具、防滑安全鞋、安全帽、听力防护等装置能减少人身伤害。

- c) 避免突然起动。确保开关在插入插头时处于关闭位置。手指放在已接通电源的开关上或开关处于接通时插入插头可能会导致危险。

- d) 在电动工具接通之前，拿掉所有调节钥匙或扳手。遗留在电动工具旋转零件上的扳手或钥匙会导致人身伤害。

- e) 手不要伸得太长。时刻注意脚下和身体平衡。这样在意外情况下能很好地控制电动工具。

- f) 着装适当。不要穿宽松衣服或佩带饰品。让你的头发、衣服和袖子远离运动部件。宽松衣服、佩饰或长发可能会卷入运动部件。

- g) 如果提供了与排屑装置、集尘设备连接用的装置，则确保他们连接完好且使用得当。使用这些装置可减少碎屑引起的危险。

4) 电动工具使用和注意事项

- a) 不要滥用电动工具，根据用途使用适当的电动工具。选用适当的设计额定值的电动工具会使你工作更有效、更安全。

- b) 如果开关不能接通或关闭工具电源，则不能使用该电动工具。不能用开关来控制的电动工具是危险的且必须进行修理。

- c) 在进行任何调节、更换附件或贮存电动工具之前，必须从电源上拔掉插头和/或将电池盒脱开电源。这种防护性措施将减少电动工具突然起动的危险。

- d) 将闲置电动工具贮存在儿童所及范围之外，并且不要让不熟悉电动工具或对这些说明不了解的人操作电动工具。电动工具在未经训练的用户手中是危险的。

- e) 保养电动工具。检查运动件的安装偏差或卡住、零件破损情况和影响电动工具运行的其他条件。如有损坏，电动工具必须在使用前修理好。许多事故由维护不良的电动工具引发。

- f) 保持切削刀具锋利和清洁。保养良好的有锋利切削刃的刀具不易卡住而且容易控制。

- g) 按照使用说明书以及打算使用的电动工具的特殊类型要求的方式，考虑作业条件和进行的作业来使用电动工具、附件和工具的刀头等。将电动工具用作那些与要求不符的操作可能会导致危险情况。

5) 维修

- a) 将你的电动工具送交专业维修人员，必须使用同样的备件进行更换。这样将确保所维修的电动工具的安全性。

针对机器的特殊安全警告

- ▶ **危险：不可以把手摆在锯割范围内，也不可以让手接触锯片。操作机器时一只手要握紧辅助手柄或放在发动机壳上。**如果使用双手握持圆刀锯，便不会被锯片割伤。
- ▶ **不可以把手放在工件的下面。**防护罩无法保护摆在工件下面的手。
- ▶ **根据工件的厚度设定锯深。**不可以让锯齿完全突出于工件之外。
- ▶ **不可以用手握持待锯割的工件，也不可以把工件放在腿上。**工件必须固定在稳固的夹具上。固定好工件之后，不仅可以防止身体意外接触锯片，並且可以降低锯片被卡住或操纵失控的情况。
- ▶ **如果工作时可能割断隐藏的电线或机器本身的电源线，那麼一定要握著绝缘手柄操作机器。**电动工具如果接触了带电的线路，机器上的金属部件会导电，並可能造成操作者触电。
- ▶ **纵割时必须使用档块或直角导引。**如此不仅可以增加锯割的准确度，而且可以降低锯片被卡住的危险。
- ▶ **必须使用具备了正确尺寸和安装孔（星形或圆形）的锯片。**锯片尺寸如果和圆刀锯的安装部件不符，开动机器后锯片会偏心运转，甚至会发生失控的情形。
- ▶ **切勿使用已经损坏或不合适的锯片垫圈、锯片螺钉。**锯片垫圈和锯片螺钉，都是针对各别圆刀锯而特别设计的，以便能够提高工作效率和确保操作安全。
- ▶ **反击的原因和如何避免反击：**
 - 反击是一种突发状况，它的产生原因可能是：锯片被钩住了、夹住了或者锯片的安装方式错误。发生反击时，失控的机器会从工件中滑出，並弹向操作者。
 - 如果锯片被钩住或夹在自动闭合的锯缝中，锯片会突然停止转动，而发动机的强大马力会把电锯弹向操作者。
 - 如果锯片在锯缝中扭曲了或者未正确操作电锯，都可能导致锯片的锯齿卡在工件表面上，並造成整个锯片从锯缝中跳出，进而促成圆刀锯朝著操作者的方向弹跳。

未按照规定使用机器或操作不当，都会导致圆刀锯反弹。如果确实遵循以下各安全措施则可避免反击。

- ▶ **使用双手握紧圆刀锯，持机的姿势必须能够抵挡住机器强大的反击力道。操作机器时要站在机器的侧面，千万不可以让锯片和身体位在同一直线上。**反击时圆刀锯会向后衝撞，但操作者如果事前採取了适当的防范措施，则可以及时控制住反击力。
- ▶ **如果锯片被夹住了或在工作中途断裂了要马上关闭电锯，静待插在工件中的锯片完全停止转动后再将其提出。只要锯片仍然继续转动，便不要尝试著从工件中拔出电锯，或向后抽拉电锯，这样可能导致机器反弹。**找出造成锯片被夹住的原因，並设法排除故障因素。
- ▶ **重新开动仍然插在工件中的电锯时，必须先把锯片调整在锯缝的中心，并检查是否仍有锯齿钩住工件。**如果锯片仍被夹住，重新开动机器后，锯片可能从工件中滑出或者引起机器反击。
- ▶ **固定好大的板块，以防止因为锯片被夹住而引起反击。**大的板块比较容易向下弯曲，因此要在板子的两侧安排支撑，在锯线的附近和板的边缘也都必须加装支撑。
- ▶ **不可使用已经变钝或受损的锯片。**锯齿如果已经变钝或位置不正确，容易因为锯缝过窄而提高锯割时的摩擦，不仅锯片易被夹住而且也会造成反击。
- ▶ **锯割之前必须收紧锯深调整杆和锯角调整杆。**如果锯割时设定好的锯深和锯角突然改变了，可能导致锯片被夹住並且引起反击。
- ▶ **在墙壁和状况不明处进行潜锯时必须特别小心。**潜入工件中的锯片可能被隐藏的物品夹住並引起反击。
- ▶ **使用机器之前先检查下防护罩是否能正确关闭。切勿使用下防护罩无法自由移动、无法马上关闭的机器。千万不可以夹住或捆住被打开的下防护罩。**如果不小心让电锯掉落地面，下防护罩可能因为碰撞而弯曲变形。使用推杆打开防护罩，检查防护罩是否能自由移动。在任何锯割角度和锯割深度，防护罩都不能和锯片或其它的机件产生摩擦。
- ▶ **检查下防护罩的弹簧是否运作正常。如果下防护罩和弹簧的功能失常，则必须在使用之前把电锯送给专业人员维修。**损坏的零件和残留在防护罩上的树脂或锯屑，都会影响下防护罩的正常运作功能。

- ▶ **只有进行特别的锯割工作时，例如潜锯和斜锯，才可以推开下防护罩。使用推杆打开下防护罩，当锯片潜入工件中后便要马上放下下防护罩。**从事其它的锯割工作时，都应该让下防护罩自动打开、关闭。
- ▶ **确定下防护罩已经完全遮盖住锯片后，才可以把圆刀锯放在工作台或地板上。**如果防护罩未关闭而且锯片仍继续惯性转动，电锯会沿这锯线滑动并割坏所有与它接触的物品。请注意关机后锯片的惯性转动时间。
- ▶ **勿将手掌放入锯屑排口中。**伸入锯屑排口中的手容易被转动的机件割伤。
- ▶ **勿以仰头的姿势操作电锯。**因为采用这种工作姿势无法正确控制电动工具。
- ▶ **使用合适的侦测装置侦察隐藏的电线，或者向当地的相关单位寻求支援。**接触电线可能引起火灾并让操作者触电。损坏了瓦斯管会引起爆炸。凿穿水管不仅会造成严重的财物损失，也可能导致触电。
- ▶ **本电动工具不适合固定式操作。**不可以把本机器固定在锯台上使用。
- ▶ **不可以使用高速钢（HSS）制造的锯片。**此类锯片容易折断。
- ▶ **不可以锯割铁族金属。**炽热的废屑可能点燃吸尘装备。
- ▶ **工作时必须用双手握紧电动工具，并且要确保立足稳固。**使用双手比较能够握稳电动工具。
- ▶ **固定好工件。**使用固定装置或老虎钳固定工件，会比用手持握工件更牢固。
- ▶ **等待电动工具完全静止后才能够放下机器。**机器上的工具可能在工作中被夹住，而令您无法控制电动工具。
- ▶ **勿使用电线已经损坏的电动工具。如果电源电线在工作中受损，千万不可触摸损坏的电线，并马上拔出插头。**损坏的电线会提高使用者触电的危险。

功能解说



阅读所有的警告提示和指示。如未确实遵循警告提示和指示，可能导致电击、火灾并且/或其他的严重伤害。

翻开标示了机器详解图的折叠页。阅读操作指南时必须翻开折叠页参考。

按照规定使用机器

本电动工具适合在稳固的底座上，对木材进行纵向和横向的直线锯割，以及斜角锯割。
不可以使用本机器加工铁族金属。

插图上的机件

机件的编号和电动工具详解图上的编号一致。

- 1 起停开关
- 2 起停开关的防止起动装置
(3 601 E23 X../3 601 E23 0B./ 3 601 E22 X..)
- 2 起停开关的锁紧键(3 601 E23 0C./3 601 E23 0K./ 3 601 E23 0L./3 601 E22 0..)
- 3 主轴锁定键
- 4 斜切角的刻度
- 5 平行挡块的蝶翼螺丝
- 6 设定斜切角的蝶翼螺丝
- 7 45 度角的切割记号
- 8 0 度角的切割记号
- 9 平行挡块
- 10 活动防护罩
- 11 底座
- 12 活动防护罩的调整杆
- 13 锯屑排口(3 601 E23 ...)
- 14 防护罩
- 15 内六角扳手
- 16 带垫片的固定螺丝
- 17 固定法兰
- 18 圆刀锯片*
- 19 接头法兰
- 20 电锯主轴
- 21 吸管转接头 (3 601 E23 ...)*
- 22 吸管接头的固定螺丝 (3 601 E23 ...)*
- 23 辅助手柄*
- 24 辅助手柄的固定螺丝*
- 25 设定锯深的蝶翼螺丝
- 26 设定斜切角的蝶翼螺丝
- 27 弓形夹钳组*

*图表或说明上提到的附件，并非包含在供货范围中。

技术数据

手提圆刀锯	GKS ... Professional	190	190	190	165
物品代码	3 601 ...	E23 0C. E23 0L. E23 0K.	E23 0B.	E23 X4.	E22 0K. E22 X4.
额定输入功率	瓦	1050	1050	1050	1050
无负载转速	次 / 分	4800	4800	4800	5000
最大锯深					
- 在 0 度斜角	毫米	66	66	66	55
- 在 45 度斜角	毫米	46	46	46	36
主轴固定装置		●	●	●	●
底座尺寸	毫米	130 x 260	130 x 260	130 x 260	130 x 240
最大锯片直径	"	7 1/2	7 1/2	7 1/2	6 1/2
最小锯片直径	"	7 1/4	7 1/4	7 1/4	6 1/4
最大锯片体厚度	毫米	1,6	1,6	1,6	1,6
接头孔径	毫米	20	19	20	20
重量符合 EPTA-Procedure 01/2003	公斤	3,8	3,8	3,8	3,6
绝缘等级		□ / II	□ / II	□ / II	□ / II

本说明书提供的参数是以 230/240 V 为依据，於低电压地区，此数据有可能不同。

请认清电动工具铭牌上的物品代码。电动工具在销售市场上没有统一的商品名称。

安装

安装 / 更换圆刀锯片

- ▶ **维修电动工具或换装零、配件之前，务必从插座上拔出插头。**
- ▶ **安装锯片时务必穿戴防护手套。**手如果接触锯片可能被割伤。
- ▶ **只能使用符合本使用说明书所提供的技术参数的锯片。**
- ▶ **千万不可以使用研磨片充当刀具。**

选择锯片

使用说明书的末页有本公司推荐的锯片列表清单。

拆卸锯片（参考插图 A）

更换刀具时最好以发动机壳朝下的方式竖起电动工具。

- 按下主轴锁定键 **3** 并将其按住。
- ▶ **等待电锯主轴停止转动后才能够按下主轴锁定键 **3**。**否则可能损坏电动工具。
- 使用六角扳手 **15** 朝着方向 **①** 转出固定螺丝 **16**。
- 收回活动防护罩 **10** 并握牢防护罩。
- 从电锯主轴 **20** 上取出固定法兰 **17** 和圆刀锯片 **18**。

安装锯片（参考插图 A）

更换刀具时最好以发动机壳朝下的方式竖起电动工具。

- 清洁圆刀锯片 **18** 和所有即将使用的固定零件。
- 收回活动防护罩 **10** 并握牢防护罩。
- 把圆刀锯片 **18** 装在接头法兰 **19** 上。锯齿的切锯方向（即锯片上的箭头的指向）必须和防护罩上 **14** 的转向箭头的指向相同。

- 装上固定法兰 17，并朝着转向 Ⓣ 拧入固定螺丝 16。注意 接头法兰 19 和固定法兰 17 的正确安装位置。
- 按下主轴锁定键 3 并将其按住。
- 使用六角扳手 15 朝着转向 Ⓣ 收紧固定螺丝 16。此时必须使用 6–9 牛顿米的拧紧扭力，相当于用手旋紧螺丝后再加转 1/4 圈。

吸锯尘 / 吸锯屑

- ▶ **维修电动工具或换装零、配件之前，务必从插座上拔出插头。**

- ▶ 含铅的颜料以及某些木材、矿物和金属的加工废尘有害健康。机器操作者或者工地附近的人如果接触、吸入这些废尘，可能会有过敏反应或者感染呼吸道疾病。

某些尘埃（例如加工橡木或山毛榉的废尘）可能致癌，特别是和处理木材的添加剂（例如木材的防腐剂等）结合之后。只有经过专业训练的人才能够加工含石棉的物料。

- 工作时尽可能使用吸尘装备。
- 工作场所要保持空气流通。
- 最好佩戴 P2 滤网等级的口罩。

请留心并遵守贵国和加工物料有关的法规。

安装吸管接头 (3 601 E23 ...) (参考插图 B)

把吸管接头 21 插入锯屑排口 13 中，并使接头正确卡紧。另外再使用螺丝 22 固定吸管接头 21。

吸管接头 21 上可以安装直径 35 毫米的吸管。

- ▶ **安装了吸管接头后务必在接头上连接吸尘装备。**否则可能造成机器的排尘管道阻塞。
- ▶ **不可以**在吸管接头上安装集尘袋。这样会造成机器的排尘系统阻塞。

定期清洁吸管接头 21 以确保最佳的吸尘效果。

外接其他的吸尘器 (3 601 E23 ...)

在吸管 上安装吸尘器（附件）。在本使用说明书的末页有各种可配合使用的吸尘器的列表清单。

电动工具可以直接连接在有联动装置的博世通用吸尘器上。开动电动工具时吸尘器会跟著起动。

根据工件的物料选择合适的吸尘装置。

吸尘可能危害健康，可能导致癌症或干燥的废尘时，务必使用特殊的吸尘装置。

安装辅助手柄 (参考插图 C)

- ▶ **维修电动工具或换装零、配件之前，务必从插座上拔出插头。**

使用螺丝 24 把辅助手柄 23 固定在防护罩 14 上。

操作

测量功能

- ▶ **维修电动工具或换装零、配件之前，务必从插座上拔出插头。**

调整锯深 (参考插图 D)

- ▶ **根据工件的厚度设定锯深。**不可以让锯齿完全突出於工件之外。

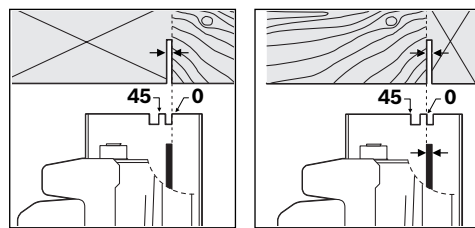
拧松碟翼螺丝 25，把电锯拉离底座 11 可以缩小锯深，把电锯推向底座 11 可以加大锯深。再度拧紧碟翼螺丝 25。

调整斜角角度

最好以防护罩 14 朝下的方式竖起电动工具。

放松碟翼螺丝 6 和 26。侧移电锯，参考刻度尺 4 调整好需要的角度，再度拧紧碟翼螺丝 6 和 26。

锯割记号



0 度角的锯割记号 (8)，标示了直角锯割时的锯片位置。

45 度角的锯割记号 (7)，标示了 45 度角斜锯时的锯片位置。

为了确保锯割的准确性，请根据插图的指示操作圆刀锯。最好先进行试锯。

操作机器

▶ **注意电源的电压！电源的电压必须和电动工具铭牌上标示的电压一致。**

开动 / 关闭

(3 601 E23 X../3 601 E23 0B./3 601 E22 X..)

开动 电动工具，先按下防止起动装置 **2**，接着再按住起停开关 **1**。

放开起停开关 **1** 便可以 **关闭** 电动工具。

指示：基于安全的顾虑，起停开关 **1** 无法被锁定。所以操作机器时必须持续地按住开关。

开动 / 关闭

(3 601 E23 0C./3 601 E23 0K./
3 601 E23 0L./3 601 E22 0..)

操作电动工具 时先按下电动工具的起停开关 **1**，并持续按著。

按下锁紧键 **2** 即可 **锁定** 被按住的起停开关 **1**。

放开起停开关 **1** 即可 **关闭** 电动工具。如果起停开关被锁紧键 **2** 固定了，先按下起停开关 **1** 并随即将其放开。

有关操作方式的指点

保护锯片免受碰撞和敲击。

操作机器时必须施力均匀，并朝着切削的方向轻轻推动工具。推动机器时如果用力过猛，不但会明显降低刀片的使用寿命，而且可能损坏电动工具。

锯割功率和锯割的效果，基本上是由锯片的状况和锯片上锯齿的形状决定。因此只能使用尖锐和适合工件材料的锯片。

锯割木材

根据木材的种类、木材的品质以及锯割的方向（顺著木纹锯割或与木纹交叉锯割）选择合适的锯片。

顺著木纹锯割红杉时会产生生长的螺旋形木屑。

山毛榉尘和橡木尘会严重危害健康，因此加工上述工件时务必使用吸尘装置。

使用平行挡块锯割（参考插图 E）

使用平行挡块 **9** 便能够沿著工件边缘进行精确的锯割，或者锯割尺寸相同的木条。

放松蝶翼螺丝 **5**。把平行挡块 **9** 的刻度尺推入底座 **11** 中。参考刻度尺设定好锯宽，并把锯角调整在记号 **8** 或记号 **7** 上（参考锯割“锯割记号”）。再度拧紧蝶翼螺丝 **5**。

使用辅助挡块锯割（参考插图 F）

分割大的工件或锯割直边时，可以用弓形夹钳把木板或木条固定在工件上充当辅助挡块，接著再沿著辅助挡块移动底座。

维修和服务

维修和清洁

- ▶ **维修电动工具或换装零、配件之前，务必从插座上拔出插头。**
- ▶ **电动工具和通风间隙都必须保持清洁，这样才能够提高工作品质 and 安全性。**

活动防护罩必须能够无阻地摆动，并且要能够自动关闭。因此活动防护罩的四周要随时保持清洁。可以使用压缩空气吹除灰尘和木屑，也可以用毛刷清除污垢。

如果锯片未上保护漆，可以在锯片上涂抹一层薄薄的无酸润滑油以预防锯片生锈。使用机器之前必须清除油层，否则会在木材上留下污斑。

锯片如果沾了残馀的树脂和胶水会影响锯割效果。因此使用机器后必须马上清洁锯片。

本公司生产的电动工具都经过严密的品质检验，如果机器仍然发生故障，请将机器交给博世电动工具公司授权的顾客服务处修理。

询问和订购备件时，务必提供机器铭牌上标示的 **10** 位数物品代码。

顾客服务处和顾客咨询中心

本公司顾客服务处负责回答有关本公司产品的修理，维护和备件的问题。以下的网页中有爆炸图和备件的资料：

www.bosch-pt.com

博世顾客咨询团队非常乐意为您解答有关购买，使用和设定本公司产品及附件的问题。

有关保证，维修或更换零件事宜，请向合格的经销商查询。

中国大陆

博世电动工具（中国）有限公司

中国 浙江省 杭州市

滨江区滨康路 567 号

邮政编码：310052

免费服务热线：800 820 8484

传真：+86 571 8777 4502

电邮：service.hz@cn.bosch.com

电话：+86 571 8777 4338

传真：+86 571 8777 4502

电邮：service.hz@cn.bosch.com

www.bosch-pt.com.cn

罗伯特·博世有限公司

香港北角英皇道 625 号 21 楼

客户服务热线：+852 (21) 02 02 35

传真：+852 (25) 90 97 62

电邮：info@hk.bosch.com

网站：www.bosch-pt.com.cn

处理废弃物

必须以符合环保的方式，回收再利用损坏的机器、附件和废弃的包装材料。

保留修改权。

一般安全規則

警告 閱讀說明！沒有按照以下列舉的說明而使用或操作將導致觸電、著火和 / 或嚴重傷害。

保存這些說明。

在所有以下列舉的警告中術語 " 電動工具 " 指市電驅動 (有線) 電動工具或電池觸動 (無線) 電動工具。

1) 工作場地

- 保持工作場地清潔和明亮。混亂和黑暗的場地會引發事故。
- 不要在易爆環境，如有易燃液體、氣體或粉塵的環境下操作電動工具。電動工具產生的火花會點燃粉塵或氣體。
- 讓兒童和旁觀者離開後操縱電動工具。分心會使你放鬆控制。

2) 電氣安全

- 電動工具插頭必須和插座相配。絕不能以任何方式改裝插頭。需接地的電動工具不能使用任何轉換插頭。未經改裝的插頭和相配的插座將減少觸電危險。
- 避免人體接觸接地表面。如管道、散熱片冰箱。如果你身體接地會增加觸電危險。
- 不得將電動工具暴露在雨中或潮濕環境中。水進入電動工具將增加觸電危險。
- 不得濫用電線。絕不能用電線搬運、拉動電動工具或拔出其插頭。讓電動工具遠離熱、油、銳邊或運動部件。受損或纏繞的電線會增加觸電危險。
- 當在戶外使用電動工具時，使用合適戶外使用的外接電線。適合戶外使用的電線將減少觸電危險。
- 如果無法避免的，必須在潮濕的環境中使用電動工具，得使用故障接地線路中斷器 (GFCI)。使用 GFCI 可以減低觸電的危險。

3) 人身安全

- 保持警覺，當操作電動工具時關注所從事的操作並保持清醒。切勿在有疲憊、藥物、酒精或治療反應下操作電動工具。在操作電動工具期間精力分散會導致嚴重人身傷害。
- 使用安全裝置。始終配戴護目鏡。安全裝置，諸如適當條件下的防塵面具、防滑安全鞋、安全帽、聽力防護等裝置能減少人身傷害。

c) 避免突然起動。確保開關在插入插頭時處於關斷位置。手指放在已接通電源的開關上或開關處於接通時插入插頭可能會導致危險。

d) 在電動工具接通之前，拿掉所有調節鑰匙或扳手。遺留在電動工具旋轉零件上的扳手或鑰匙會導致人身傷害。

e) 手不要伸得太長。時刻注意腳下和身體平衡。這樣在意外情況下能夠很好地控制電動工具。

f) 著裝適當。不要穿寬松衣服或佩帶飾品。讓你的頭髮、衣服和袖子遠離運動部件。寬鬆衣服、佩飾或長髮可能會捲入運動部件。

g) 如果提供了與排屑裝置、集塵設備連接用的裝置，則確保他們連接完好且使用得當。使用這些裝置可減少碎屑引起的危險。

4) 電動工具使用和注意事項

- 不要濫用電動工具，根據用途使用適當的電動工具。選用適當的設計額定值的電動工具會使你工作更有效、更安全。
- 如果開關不能接通或關斷工具電源，則不能使用該電動工具。不能用開關來控制的工具是危險的且必須進行修理。
- 在進行任何調節、更換附件或儲存電動工具之前，必須從電源上拔掉插頭和 / 或將電池盒脫開電源。這種防護性措施將減少電動工具突然起動的危險。
- 將閒置電動工具儲存在兒童所及範圍之外，並且不要讓不熟悉電動工具或對這些說明不了解的人操作電動工具。電動工具在未經驗的用戶手中是危險的。
- 保養電動工具。檢查運動件的安裝偏差或卡住、零件破損情況和影響電動工具運行的其他條件。如有損壞，電動工具必須在使用前修理好。許多事故由維護不良的電動工具引發。
- 保持切削刀具鋒利和清潔。保養良好的有鋒利切削刀的刀具不易卡住而且容易控制。
- 按照使用說明書以及打算使用的電動工具的特殊類型要求的方式，考慮作業條件和進行的作業來使用電動工具、附件和工具的刀頭等。將電動工具用作那些與要求不符的操作可能會導致危險情況。

5) 檢修

- a) 將你的電動工具送交專業維修人員，必須使用同樣的備件進行更換。這樣將確保所維修的電動工具的安全性。

針對機器的特殊安全警告

- ▶ 危險：不可以把手擺在鋸割範圍內，也不可以讓手接觸鋸片。操作機器時一隻手要握緊輔助手柄或放在發動機殼上。如果使用雙手握持圓刀鋸，便不會被鋸片割傷。
- ▶ 不可以把手放在工件的下面。防護罩無法保護擺在工件下面的手。
- ▶ 根據工件的厚度設定鋸深。不可以讓鋸齒完全突出於工件之外。
- ▶ 不可以用手握持待鋸割的工件，也不可以把工件放在腿上。工件必須固定在穩固的夾具上。固定好工件之後，不僅可以防止身體意外接觸鋸片，並且可以降低鋸片被卡住或操縱失控的情況。
- ▶ 如果工作時可能割斷隱藏著的電線或機器本身的電源線，那麼一定要握著絕緣手柄操作機器。電動工具如果接觸了帶電的線路，機器上的金屬部件會導電，並可能造成操作者觸電。
- ▶ 縱割時必須使用檔塊或直角導引。如此不僅可以增加鋸割的準確度，而且可以降低鋸片被卡住的危險。
- ▶ 必須使用具備了正確尺寸和安裝孔（星形或圓形）的鋸片。鋸片尺寸如果和圓刀鋸的安裝部件不符，開動機器後鋸片會偏心運轉，甚至會發生失控的情形。
- ▶ 切勿使用已經損壞或不合適的鋸片墊圈、鋸片螺釘。鋸片墊圈和鋸片螺釘，都是針對各別圓刀鋸而特別設計的，以便能夠提高工作效率和確保操作安全。
- ▶ 反擊的原因和如何避免反擊：
 - 反擊是一種突發狀況，它的產生原因可能是：鋸片被鉤住了、夾住了或者鋸片的安裝方式錯誤。發生反擊時，失控的機器會從工件中滑出，並彈向操作者。
 - 如果鋸片被鉤住或夾在自動閉合的鋸縫中，鋸片會突然停止轉動，而發動機的強大馬力會把電鋸彈向操作者。
 - 如果鋸片在鋸縫中扭曲了或者未正確操作電鋸，都可能導致鋸片的鋸齒卡在工件表面上，並造成整個鋸片從鋸縫中跳出，進而促成圓刀鋸朝著操作者的方向彈跳。
- ▶ 未按照規定使用機器或操作不當，都會導致圓刀鋸反彈。如果確實遵循以下各安全措施則可避免反擊。
- ▶ 使用雙手握緊圓刀鋸，持機的姿勢必須能夠抵擋住機器強大的反擊力道。操作機器時要站在機器的側面，千萬不可以讓鋸片和身體位在同一直線上。反擊時圓刀鋸會向後衝撞，但操作者如果事前採取了適當的防範措施，則可以及時控制住反擊力。
- ▶ 如果鋸片被夾住了或在工作中途斷裂了要馬上關閉電鋸，靜待插在工件中的鋸片完全停止轉動後再將其提出。只要鋸片仍然繼續轉動，便不可嘗試著從工件中拔出電鋸，或向後抽拉電鋸，這樣可能導致機器反彈。找出造成鋸片被夾住的原因，並設法排除故障因素。
- ▶ 重新開動仍然插在工件中的電鋸時，必須先把鋸片調整在鋸縫的中心，並檢查是否仍有鋸齒鉤住工件。如果鋸片仍被夾住，重新開動機器後，鋸片可能從工件中滑出或者引起機器反擊。
- ▶ 固定好大的板塊，以防止因為鋸片被夾住而引起反擊。大的板塊比較重容易向下彎曲，因此要在板子的兩側安排支撐，在鋸線的附近和板的邊緣也都必須加裝支撐。
- ▶ 不可使用已經變鈍或受損的鋸片。鋸齒如果已經變鈍或位置不正確，容易因為鋸縫過窄而提高鋸割時的磨擦，不僅鋸片易被夾住而且也會造成反擊。
- ▶ 鋸割之前必須收緊鋸深調整桿和鋸角調整桿。如果鋸割時設定好的鋸深和鋸角突然改變了，可能導致鋸片被夾住並且引起反擊。
- ▶ 在牆壁和狀況不明處進行潛鋸時必須特別小心。潛入工件中的鋸片可能被隱藏的物品夾住並引起反擊。
- ▶ 使用機器之前先檢查下防護罩是否能正確關閉。切勿使用下防護罩無法自由移動、無法馬上關閉的機器。千萬不可以夾住或捆住被打開的下防護罩。如果不小心讓電鋸掉落地面，下防護罩可能因為碰撞而彎曲變形。使用推桿打開防護罩，檢查防護罩是否能自由移動。在任何鋸割角度和鋸割深度，防護罩都不能和鋸片或其它的機件產生磨擦。
- ▶ 檢查下防護罩的彈簧是否運作正常。如果下防護罩和彈簧的功能失常，則必須在使用之前把電鋸送給專業人員維修。損壞的零件和殘留在防護罩上的樹脂或鋸屑，都會影響下防護罩的正常運作功能。

- ▶ 只有進行特別的鋸割工作時，例如潛鋸和斜鋸，才可以推開下防護罩。使用推桿打開下防護罩，當鋸片潛入工件中後便要馬上放開下防護罩。從事其它的鋸割工作時，都應該讓下防護罩自動打開、關閉。
- ▶ 確定下防護罩已經完全遮蓋住鋸片后，才可以把圓刀鋸放在工作臺或地板上。如果防護罩未關閉而且鋸片仍繼續慣性轉動，電鋸會沿這鋸線滑動並割壞所有與它接觸的物品。請注意關機后鋸片的慣性轉動時間。
- ▶ 勿將手掌放入鋸屑排口中。伸入鋸屑排口中的手容易被轉動的機件割傷。
- ▶ 勿以仰頭的姿勢操作電鋸。因為採用這種工作姿勢無法正確控制電動工具。
- ▶ 使用合適的偵測裝置偵察隱藏的電線，或者向當地的相關單位尋求支援。接觸電線可能引起火災並讓操作者觸電。損壞了瓦斯管會引起爆炸。鑿穿水管不僅會造成嚴重的財物損失，也可能導致觸電。
- ▶ 本電動工具不適合固定式操作。不可以把本機器固定在鋸臺上使用。
- ▶ 不可以使用高速鋼（HSS）制造的鋸片。此類鋸片容易折斷。
- ▶ 不可以鋸割鐵族金屬。熾熱的廢屑可能點燃吸塵裝備。
- ▶ 工作時必須用雙手握緊電動工具，並且要確保立足穩固。使用雙手比較能夠握穩電動工具。
- ▶ 固定好工件。使用固定裝置或老虎鉗固定工件，會比用手持握工件更牢固。
- ▶ 等待電動工具完全靜止後才能夠放下機器。機器上的工具可能在工作中被夾住，而令您無法控制電動工具。
- ▶ 勿使用電線已經損壞的電動工具。如果電源電線在工作中受損，千萬不可觸摸損壞的電線，並馬上拔出插頭。損壞的電線會提高使用者觸電的危險。

功能解說



閱讀所有的警告提示和指示。如未確實遵循警告提示和指示，可能導致電擊、火災並且 / 或其他的嚴重傷害。

翻開標示了機器詳解圖的折疊頁。閱讀操作指南時必須翻開折疊頁參考。

按照規定使用機器

本電動工具適合在穩固的底座上，對木材進行縱向和橫向的直線鋸割，以及斜角鋸割。
不可以使用本機器加工鐵族金屬。

插圖上的機件

機件的編號和電動工具詳解圖上的編號一致。

- 1 起停開關
- 2 起停的防止起顛 (3 601 E23 X../3 601 E23 0B./ 3 601 E22 X..)
- 2 起停開關的鎖緊鍵 (3 601 E23 0C./3 601 E23 0K./ 3 601 E23 0L./3 601 E22 0..)
- 3 主軸鎖定鍵
- 4 斜切角的刻度
- 5 平行擋塊的蝶翼螺絲
- 6 設定斜切角的蝶翼螺絲
- 7 45 度角的切割記號
- 8 0 度角的切割記號
- 9 平行擋塊
- 10 活動防護罩
- 11 底座
- 12 活動防護罩的調整桿
- 13 鋸屑排口 (3 601 E23 ...)
- 14 防護罩
- 15 內六角扳手
- 16 帶墊片的固定螺絲
- 17 固定法蘭
- 18 圓刀鋸片*
- 19 接頭法蘭
- 20 電鋸主軸
- 21 吸管轉接頭 (3 601 E23 ...)*
- 22 吸管接頭的固定螺絲 (3 601 E23 ...)*
- 23 輔助手柄*
- 24 輔助手柄的固定螺絲*
- 25 設定鋸深的蝶翼螺絲
- 26 設定斜切角的蝶翼螺絲
- 27 弓形夾鉗組*

*插圖中或說明書中提到的附件，并不包含在正常的供貨範圍中。

技術性數據

手提圓刀鋸	GKS ... Professional	190	190	190	165
物品代碼	3 601 ...	E23 0C. E23 0L. E23 0K.	E23 0B.	E23 X4.	E22 0K. E22 X4.
額定輸入功率	瓦	1050	1050	1050	1050
無負載轉速	次 / 分	4800	4800	4800	5000
最大鋸深					
- 在 0 度斜角	毫米	66	66	66	55
- 在 45 度斜角	毫米	46	46	46	36
主軸固定裝置		●	●	●	●
底座尺寸	毫米	130 x 260	130 x 260	130 x 260	130 x 240
最大鋸片直徑	"	7 1/2	7 1/2	7 1/2	6 1/2
最小鋸片直徑	"	7 1/4	7 1/4	7 1/4	6 1/4
最大鋸片體厚度	毫米	1,6	1,6	1,6	1,6
接頭孔徑	毫米	20	19	20	20
重量符合 EPTA-Procedure 01/2003	公斤	3,8	3,8	3,8	3,6
絕緣等級		□ / II	□ / II	□ / II	□ / II

本說明書提供的參數是以 230/240 V 為依據，於低電壓地區，此數據有可能不同。

請認清電動工具銘牌上的物品代碼。電動工具在銷售市場上沒有統一的商品名稱。

安裝

安裝 / 更換圓刀鋸片

- ▶ 維修電動工具或換裝零、配件之前，務必從插座上拔出插頭。
- ▶ 安裝鋸片時務必穿戴防護手套。手如果接觸鋸片可能被割傷。
- ▶ 只能使用符合本使用說明書所提供的技術參數的鋸片。
- ▶ 千萬不可以使用研磨片充當刀具。

選擇鋸片

使用說明書的末頁有本公司推薦的鋸片列表清單。

拆卸鋸片（參考插圖 A）

更換刀具時最好以發動機殼朝下的方式豎起電動工具。

- 按下主軸鎖定鍵 **3** 並將其按住。
- ▶ 等待電鋸主軸停止轉動後才能夠按下主軸鎖定鍵 **3**。否則可能損壞電動工具。
- 使用六角扳手 **15** 朝著方向 **1** 轉出固定螺絲 **16**。
- 收回活動防護罩 **10** 並握牢防護罩。
- 從電鋸主軸 **20** 上取出固定法蘭 **17** 和圓刀鋸片 **18**。

安裝鋸片（參考插圖 A）

更換刀具時最好以發動機殼朝下的方式豎起電動工具。

- 清潔圓刀鋸片 **18** 和所有即將使用的固定零件。
- 收回活動防護罩 **10** 並握牢防護罩。
- 把圓刀鋸片 **18** 裝在接頭法蘭 **19** 上。鋸齒的切鋸方向（即鋸片上的箭頭的指向）必須和防護罩上 **14** 的轉向箭頭的指向相同。

26 | 中文

- 裝上固定法蘭 **17**，並朝著轉向 **②** 擰入固定螺絲 **16**。
注意 接頭法蘭 **19** 和固定法蘭 **17** 的正確安裝位置。
- 按下主軸鎖定鍵 **3** 並將其按住。
- 使用六角扳手 **15** 朝著轉向 **②** 收緊固定螺絲 **16**。此時必須使用 6-9 牛頓米的擰緊扭力，相當於用手旋緊螺絲後再加轉 1/4 圈。

吸鋸塵 / 吸鋸屑

- ▶ **維修電動工具或換裝零、配件之前，務必從插座上拔出插頭。**
 - ▶ 含鉛的顏料以及某些木材、礦物和金屬的加工廢塵有害健康。機器操作者或者工地附近的人如果接觸、吸入這些廢塵，可能會有過敏反應或者感染呼吸道疾病。
某些塵埃（例如加工橡木或山毛櫸的廢塵）可能致癌，特別是和處理木材的添加劑（例如木材的防腐劑等）結合之後。只有經過專業訓練的人才能夠加工含石棉的物料。
 - 工作時盡可能使用吸塵裝備。
 - 工作場所要保持空氣流通。
 - 最好佩戴 P2 濾網等級的口罩。
- 請留心並遵守貴國和加工物料有關的法規。

安裝吸管接頭 (3 601 E23 ...) (參考插圖 B)

把吸管接頭 **21** 插入鋸屑排口 **13** 中，並讓接頭正確卡緊。另外再使用螺絲 **22** 固定吸管接頭 **21**。
吸管接頭 **21** 上可以安裝直徑 35 毫米的吸管。

- ▶ **安裝了吸管接頭後務必要在接頭上連接吸塵裝備。** 否則可能造成機器的排塵管道阻塞。
- ▶ **不可以在吸管接頭上安裝集塵袋。** 這樣會造成機器的排塵系統阻塞。

定期清潔吸管接頭 **21** 以確保最佳的吸塵效果。

外接其他的吸塵器 (3 601 E23 ...)

在吸管上安裝吸塵器（附件）。在本使用說明書的末頁有各種可配合使用的吸塵器的列表清單。

電動工具可以直接連接在有聯動裝置的博世通用吸塵器上。開動電動工具時吸塵器會跟著起動。

根據工件的物料選擇合適的吸塵裝置。

收集可能危害健康，可能導致癌癥或干燥的廢塵時，務必使用特殊的吸塵裝置。

安裝輔助手柄 (參考插圖 C)

- ▶ **維修電動工具或換裝零、配件之前，務必從插座上拔出插頭。**

使用螺絲 **24** 把輔助手柄 **23** 固定在防護罩 **14** 上。

操作

操作方式

- ▶ **維修電動工具或換裝零、配件之前，務必從插座上拔出插頭。**

調整鋸深 (參考插圖 D)

- ▶ **根據工件的厚度設定鋸深。** 不可以讓鋸齒完全突出於工件之外。

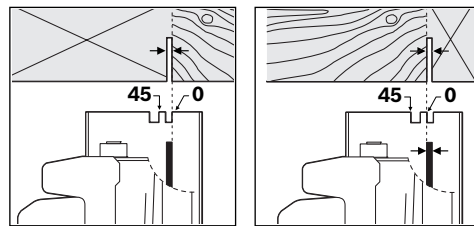
擰松蝶翼螺絲 **25**，把電鋸拉離底座 **11** 可以縮小鋸深，把電鋸推向底座 **11** 可以加大鋸深。再度擰緊蝶翼螺絲 **25**。

調整斜角角度

最好以防護罩 **14** 朝下的方式豎起電動工具。

放鬆蝶翼螺絲 **6** 和 **26**。側移電鋸，參考刻度尺 **4** 調整好需要的角度，再度擰緊蝶翼螺絲 **6** 和 **26**。

鋸割記號



0 度角的鋸割記號 **(8)**，標示了直角鋸割時的鋸片位置。
45 度角的鋸割記號 **(7)**，標示了 45 度角斜鋸時的鋸片位置。

為了確保鋸割的準確性，請根據插圖的指示操作圓刀鋸。最好先進行試鋸。

操作機器

▶ **注意電源的電壓！**電源的電壓必須和電動工具銘牌上標示的電壓一致。

開動 / 關閉

(3 601 E23 X../3 601 E23 0B./3 601 E22 X..)

角具，先按下防止起顫 **2**，接著再按住起停 **1**。

放開起停開關 **1** 便可以 **關閉** 電動工具。

指示：基於安全的顧慮，起停開關 **1** 法被鎖定。所以操作機器時必須持續地按住開關。

開動 / 關閉

(3 601 E23 0C./3 601 E23 0K./
3 601 E23 0L./3 601 E22 0..)

操作電動工具時先按下電動工具的起停開關 **1**，並持續按著。

按下鎖緊鍵 **2** 即可 **鎖定** 被按住的起停開關 **1**。

放開起停開關 **1** 即可 **關閉** 電動工具。如果起停開關被鎖緊鍵 **2** 固定了，先按下起停開關 **1** 並隨即將其放開。

有關操作方式的指點

保護鋸片免受衝撞和敲擊。

順著鋸線施力均勻地輕推電動工具。操作機器時如果推力過猛會降低鋸片的使用壽命，並且損壞電動工具。

鋸割功率和鋸割的效果，基本上是由鋸片的狀況和鋸片上鋸齒的形狀決定。因此只能使用尖銳和適合工件材料的鋸片。

鋸割木材

根據木材的種類、木材的品質以及鋸割的方向（順著木紋鋸割或與木紋交叉鋸割）選擇合適的鋸片。

順著木紋鋸割紅杉時會產生長的螺旋形木屑。

山毛櫸塵和橡木塵會嚴重危害健康，因此加工上述工件時務必使用吸塵裝置。

使用平行擋塊鋸割（參考插圖 E）

使用平行擋塊 **9** 便能夠沿著工件邊緣進行精確的鋸割，或者鋸割尺寸相同的木條。

放鬆蝶翼螺絲 **5**。把平行擋塊 **9** 的刻度尺推入底座 **11** 中。參考刻度尺設定好鋸寬，並把鋸角調整在記號 **8** 或記號 **7** 上（參考鋸割 " 鋸割記號 "）。再度擰緊蝶翼螺絲 **5**。

使用輔助擋塊鋸割（參考插圖 F）

分割大的工件或鋸割直邊時，可以用弓形夾鉗把木板或木條固定在工件上充當輔助擋塊，接著再沿著輔助擋塊移動底座。

維修和服務

維修和清潔

- ▶ **維修電動工具或換裝零、配件之前，務必從插座上拔出插頭。**
- ▶ **電動工具和通風間隙都必須保持清潔，這樣才能夠提高工作品質和安全性。**

活動防護罩必須能夠無阻地擺動，並且要能夠自動關閉。因此活動防護罩的四周要隨時保持清潔。可以使用壓縮空氣吹除灰塵和木屑，也可以用毛刷清除污垢。

如果鋸片未上保護漆，可以在鋸片上塗抹一層薄薄的無酸潤滑油以預防鋸片生銹。使用機器之前必須清除油層，否則會在木材上留下污斑。

鋸片如果沾了殘餘的樹脂和膠水會影響鋸割效果。因此使用機器後必須馬上清潔鋸片。

本公司生產的電動工具都經過嚴密的品質檢驗，如果機器仍然發生故障，請將機器交給博世電動工具公司授權的顧客服務處修理。

詢問和訂購備件時，務必提供機器銘牌上標示的 10 位數物品代碼。



顧客服務處和顧客諮詢中心

本公司顧客服務處負責回答有關本公司產品的修理，維護和備件的問題。以下的網頁中有爆炸圖和備件的資料：
www.bosch-pt.com

博世顧客諮詢團隊非常樂意為您解答有關購買，使用和設定本公司產品及附件的問題。

台灣

德商美最時貿易股份有限公司

台灣分公司

台北市 10454 林森北路 380 號 9 樓

電話：+886 2 2551 3264

傳真：+886 2 2536 3783

客服專線：0800 051 051

原廠維修中心

桃園縣蘆竹鄉長興路 3 段 219 巷 5 號

電話：+886 3 324 9325

傳真：+886 3 324 0269

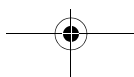
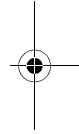
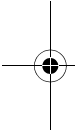
E-Mail: services@melchers.com.tw

www.bosch-pt.com.tw

處理廢棄物

必須以符合環保的方式，回收再利用損壞的機器、附件和廢棄的包裝材料。

保留修改權。



전동공구용 일반 안전수칙

⚠ 경고 모든 안전수칙과 지시 사항을 상세히 읽고 지켜야 합니다. 다음의 안전수칙과 지시 사항을 준수하지 않으면 화재 위험이 있으며 감전 혹은 중상을 입을 수 있습니다.

앞으로의 참고를 위해 이 안전수칙과 사용 설명서를 잘 보관하십시오.

다음에서 사용되는 "전동공구"라는 개념은 전원에 연결하여 사용하는 전동 기기 (전선이 있는) 나 배터리를 사용하는 전동 기기 (전선이 없는) 를 의미합니다.

1) 작업장 안전

- a) **작업장을 항상 깨끗이 하고 조명을 밝게 하십시오.**
작업장 환경이 어수선하거나 어두우면 사고를 초래할 수 있습니다.
- b) **가연성 유체, 가스 또는 분진이 있어 폭발 위험이 있는 환경에서 전동공구를 사용하지 마십시오.** 전동공구는 분진이나 증기에 접화하는 불꽃을 일으킬 수 있습니다.
- c) **전동공구를 사용할 때 구경꾼이나 어린이 혹은 다른 사람이 작업장에 접근하지 못하게 하십시오.** 다른 사람이 주의를 산만하게 하면 기기에 대한 통제를 잃기 쉽습니다.

2) 전기에 관한 안전

- a) **전동공구의 전원 플러그가 전원 콘센트에 잘 맞아야 합니다.** 플러그를 조금이라도 변경시켜서는 안됩니다. 접지된 전동공구를 사용할 때 어댑터 플러그를 사용하지 마십시오. 변형되지 않은 플러그와 잘 맞는 콘센트를 사용하면 감전의 위험을 감소할 수 있습니다.
- b) **파이프 관, 라디에이터, 배인지, 냉장고와 같은 접지 표면에 몸이 닿지 않도록 하십시오.** 몸에 닿을 경우 감전될 위험이 높습니다.
- c) **전동공구를 비에 맞지 않게 하고 습기 있는 곳에 두지 마십시오.** 전동공구에 물이 들어가면 감전될 위험이 높습니다.
- d) **전원 코드를 잡고 전동공구를 운반하거나 걸어 놓아서는 안되며, 콘센트에서 전원 플러그를 뽑을 때 전원 코드를 잡아 당겨서는 절대로 안됩니다.** 전원 코드가 열과 오일에 접촉하는 것을 피하고, 날카로운 모서리나 기기의 가동 부위에 닿지 않도록 주의하십시오. 손상되거나 영진 전원 코드는 감전을 유발할 수 있습니다.
- e) **실외에서 전동공구로 작업할 때는 실외용으로 적당한 연장 전원 코드만을 사용하십시오.** 실외용 연장 전원 코드를 사용하면 감전의 위험을 줄일 수 있습니다.

- f) **전동공구를 습기 찬 곳에서 사용해야 할 경우에는 누전 차단기를 사용하십시오.** 누전 차단기를 사용하면 감전 위험을 줄일 수 있습니다.

3) 사용자 안전

- a) **신중하게 작업하십시오.** 작업을 할 때 주의를 하며, 전동공구를 사용할 때 경솔하게 행동하지 마십시오. 피로한 상태이거나 약물 복용 및 음주한 후에는 전동공구를 사용하지 마십시오. 전동공구를 사용할 때 잠시라도 주의가 산만해지면 중상을 입을 수 있습니다.
- b) **작업자 안전을 위한 장치를 사용하십시오.** 항상 보안경을 착용하십시오. 전동공구의 종류와 사용에 따라 먼지 보호 마스크, 미끄러지지 않는 안전한 신발, 안전모 또는 귀마개 등의 안전한 복장을 하면 상해의 위험을 줄일 수 있습니다.
- c) **실수로 기기가 작동되지 않도록 주의하십시오.** 전동공구를 전원에 연결하거나 배터리를 끼우기 전에, 혹은 기기를 풀거나 운반하기 전에, 전원 스위치가 꺼져 있는지 다시 확인하십시오. 전동공구를 운반할 때 전원 스위치에 손가락을 대거나 전원 스위치가 켜진 상태에서 전원을 연결하면 사고 위험이 높습니다.
- d) **전동공구를 사용하기 전에 조절하는 톨이나 나사 키 등을 빼 놓으십시오.** 회전하는 부위에 있는 톨이나 나사 키로 인해 상처를 입을 수 있습니다.
- e) **자신을 과신하지 마십시오.** 불안정한 자세를 피하고 항상 평형을 이룬 상태로 작업하십시오. 안정된 자세와 평형한 상태로 작업해야만이 의외의 상황에서도 전동공구를 안전하게 사용할 수 있습니다.
- f) **알맞은 작업복을 입으십시오.** 헐렁한 복장을 하거나 장식품을 착용하지 마십시오. 머리나 옷 또는 장갑이 가동하는 기기 부위에 가까이 닿지 않도록 주의하십시오. 헐렁한 복장, 장식품 혹은 긴 머리는 가동 부위에 말려 사고를 초래할 수 있습니다.
- g) **분진 추출장치나 수거장치의 조립이 가능한 경우, 이 장치가 연결되어 있는지, 제대로 작동이 되는지 확인하십시오.** 이러한 분진 추출장치를 사용하면 분진으로 인한 사고 위험을 줄일 수 있습니다.

4) 전동공구의 올바른 사용과 취급

- a) **기기를 파부하 상태에서 사용하지 마십시오.** 작업을 하는 데 이에 적당한 전동공구를 사용하십시오. 알맞은 전동공구를 사용하면 지정된 성능 한도 내에서 더 효율적으로 안전하게 작업할 수 있습니다.

30 | 한국어

- b) 전원 스위치가 고장 난 전동공구를 사용하지 마십시오. 전원 스위치가 작동되지 않는 전동공구는 위험하므로, 반드시 수리를 해야 합니다.
- c) 기기에 케이블을 하거나 액세서리 부품을 교환하거나 혹은 기기를 보관할 때, 항상 전원 콘센트에서 플러그를 미리 빼어 놓으십시오. 이러한 조치는 실수로 전동공구가 작동하게 되는 것을 예방합니다.
- d) 사용하지 않는 전동공구는 어린이 손이 닿지 않는 곳에 보관하고, 전동공구 사용에 익숙지 않거나 이 사용 설명서를 읽지 않은 사람은 기기를 사용해서는 안 됩니다. 경험이 없는 사람이 전동공구를 사용하면 위험합니다.
- e) 전동공구를 조심스럽게 관리하십시오. 가동 부위가 하자 없이 정상적인 기능을 하는지, 걸리는 부위가 있는지, 혹은 전동공구의 기능에 중요한 부품이 손상되지 않았는지 확인하십시오. 손상된 기기의 부품은 전동공구를 다시 사용하기 전에 반드시 수리를 맡기십시오. 제대로 관리하지 않은 전동공구의 경우 많은 사고를 유발합니다.
- f) 절단 공구를 날카롭고 깨끗하게 관리하십시오. 날카로운 절단면이 있고 잘 관리된 절단공구는 걸리는 경우가 드물고 조절하기도 쉽습니다.
- g) 전동공구, 액세서리, 장착하는 공구 등을 사용할 때, 이 지시 사항과 특별히 기종 별로 나와있는 사용 방법을 준수하십시오. 이때 작업 조건과 실시하려는 작업 내용을 고려하십시오. 원래 사용 분야가 아닌 다른 작업에 전동공구를 사용할 경우 위험한 상황을 초래할 수 있습니다.
- 5) 서비스
- a) 전동공구 수리는 반드시 전문 인력에게 맡기고, 수리 정비 시 보쉬 승인 부품만을 사용하십시오. 그렇게 함으로써 기기의 안전성을 오래 유지할 수 있습니다.

기기 특유의 안전수칙

- ▶ 위험: 절단 부위와 톱날 가까이에서 손을 대지 마십시오. 다른 한 손으로는 보조 손잡이나 모터 하우징을 잡으십시오. 양손으로 톱을 잡으면 톱날에 베일 위험이 없습니다.
- ▶ 작업물 아래 쪽을 잡지 마십시오. 안전반이 있어도 작업물 아래 쪽에서 톱날에 다칠 수 있기 때문입니다.
- ▶ 절단 깊이를 작업물의 두께에 맞게 조절하십시오. 작업물 아래로 톱날의 톱니가 한 개 이상 보이면 안 됩니다.
- ▶ 절단하려는 작업물을 절대로 손에 들고 있거나 다리 위에 고정하지 마십시오. 작업물을 고정된 작업대에 안전하게 두십시오. 기기가 몸에 닿거나 톱날이 걸리거나 통제력을 잃는 것을 방지하려면 작업물을 적당하게 고정하는 것이 중요합니다.
- ▶ 작업할 때 톱날이 보이지 않는 전선이나 기기 자체의 코드에 닿을 위험이 있으면 전동공구의 절연된 손잡이 면만을 잡으십시오. 전류가 흐르는 전선에 접촉하게 되면 기기의 금속 부위에 전기가 통해 감전될 위험이 있습니다.
- ▶ 목재에 새로 절단작업을 할 때 항상 림 펜스나 직선형의 모서리 가이드를 사용하십시오. 이렇게 하면 보다 정확한 절단이 가능하며 톱날이 걸릴 위험이 줄어 듭니다.
- ▶ 항상 수용 플랜지에 맞는 정확한 크기와 형태 (다이아몬드 형이나 원형)의 톱날을 사용하십시오. 톱의 조립 부품에 맞지 않는 톱날은 제대로 회전하지 않으며 제어하기가 어려워 집니다.
- ▶ 절대로 손상되었거나 맞지 않는 톱날 외거나 톱날 볼트를 사용하지 마십시오. 톱날 외거나 볼트는 귀하의 톱에 맞도록 최상의 성능과 작업 안전을 위해 특별히 설계된 것입니다.
- ▶ 반동의 원인과 방지:
 - 반동은 톱날이 걸리거나 박히거나 잘못 맞추어진 경우 갑자기 생기는 현상으로, 이로 인해 톱이 들리면서 작업물에서 튕겨 나와 작업자 쪽으로 올 수 있습니다.
 - 톱날이 절단면에 걸리거나 끼워지게 되면 기기가 멈추고 모터 반동의 힘으로 톱이 작업자 쪽으로 밀리게 됩니다.
 - 톱날이 절단면에서 휘어지거나 제대로 맞추어져 있지 않으면 뒤쪽 톱날 모서리 톱니가 작업물 표면에 걸릴 수 있습니다. 그렇게 되면 톱날이 절단면에서 빠져 나와 톱이 작업자 쪽으로 튕깁니다.
- 반동은 톱을 제대로 사용하지 못할 경우 혹은 부정확한 작동 과정이나 조건으로 인해 생기는 결과입니다. 다음에 설명한 대로 적당한 예방 조치를 취하면 이를 방지할 수 있습니다.
- ▶ 톱을 두 손으로 꼭 잡고 팔을 반동력을 저지할 수 있는 위치에 둡니다. 항상 톱날 옆으로 서서 작업하고 절대로 톱날이 몸과 일직선이 되지 않도록 하십시오. 반동이 생길 경우 톱이 뒤로 튕길 수 있으나 적절한 조치를 취했을 경우 작업자가 반동력에 잘 대처할 수 있습니다.
- ▶ 톱날이 걸리거나 품질작업을 중단할 경우 톱의 전원 스위치를 끄고 톱날이 완전히 정지할 때까지 톱을 작업물에 그대로 둡니다. 톱날이 움직이고 있는 동안 톱을 작업물에서 떼거나 뒤로 당기려고 하지 마십시오. 이 경우 반동이 생길 수 있습니다. 톱날이 걸린 원인을 찾아 적당한 조치를 취하여 해결하십시오.

- ▶ 작업물에 끼여져 있는 틈을 재시동하려면 틈날을 절단면 가운데에 맞추고 틈나가 작업물에 물려있지 않은지 확인하십시오. 틈날이 물려 있으면 재시동할 경우 틈날이 작업물 밖으로 나오면서 반동을 일으킬 수 있습니다.
- ▶ 틈날이 걸려 반동이 생기는 위험을 최소화하기 위해 커다란 패널로 받쳐십시오. 커다란 패널은 자체의 중량으로 휘어질 수 있습니다. 그러므로 절단면 근처와 가장자리에 양쪽으로 패널을 받쳐주어야 합니다.
- ▶ 무더거나 손상된 틈날을 사용하지 마십시오. 무더거나 제대로 세팅되지 않은 틈날은 너무 좁은 절단면으로 인해 과도한 마찰, 틈날의 물림 그리고 반동을 유발합니다.
- ▶ 품질작업을 하기 전에 절단 깊이와 절단 각도 조절 레버를 단단히 조이십시오. 작업 도중에 설정치가 바뀌면 틈날이 물려 반동이 생길 수 있습니다.
- ▶ 기존 벽이나 다른 보이지 않는 부위에 “삽입 품질작업”을 할 때 특히 주의하십시오. 품질작업 시 틈날이 보이지 않는 물체에 삽입되어 걸리거나 반동을 유발할 수 있습니다.
- ▶ 사용하기 전에 항상 하부 안전반이 제대로 닫혀 있는지 확인하십시오. 하부 안전반이 자유로이 움직이지 않고 빨리 닫히지 않는 틈은 사용하지 마십시오. 절대로 하부 안전반을 열린 상태로 고정하거나 묶지 마십시오. 실수로 틈이 바닥에 떨어지면 하부 안전반이 휘어질 수 있습니다. 안전반을 뒤로 당기는 레버로 열고, 안전반이 자유로이 움직이는지 그리고 모든 절단 각도와 깊이의 경우 틈날과 다른 부위에 닿지 않는지 확인해 보십시오.
- ▶ 하부 안전반용 스프링이 제대로 작동하는지 확인하십시오. 하부 안전반과 스프링에 하자가 있으면 틈을 사용하기 전에 수리를 맡기십시오. 손상된 부품, 끈적이는 칠전물 혹은 축적된 틈밥으로 인해 하부 안전반의 기능에 지장이 생깁니다.
- ▶ “삽입 품질작업이나 각도 절단작업” 등 특수한 절단작업을 할 경우에만 하부 안전반을 손으로 여십시오. 하부 안전반을 뒤로 당기는 레버로 열고 틈날이 작업물 안으로 들어가면 하부 안전반을 다시 놓으십시오. 다른 모든 절단작업의 경우 하부 안전반은 자동으로 작동하게 되어 있습니다.
- ▶ 틈을 작업 벤치나 바닥에 놓기 전에 하부 안전반이 틈날을 덮고 있는지 항상 확인하십시오. 보호 장치가 없이 계속 돌아가는 틈날은 틈을 절단 방향 반대쪽으로 움직이며 그 진로에 있는 것을 모두 절단합니다. 그러므로 스위치를 끄고 나서 틈날이 완전히 멈출 때까지의 시간을 고려하십시오.
- ▶ 틈밥 분출장치에 손을 대지 마십시오. 회전하는 부위에 닿으면 상처를 입을 수 있습니다.

- ▶ 머리 위에서 틈으로 작업하지 마십시오. 이 경우 전동공구에 대한 통제가 어려워집니다.
- ▶ 보이지 않는 배관 설비를 확인하려면 적당한 탐지기를 사용하거나 담당 에너지 공급회사에 문의하십시오. 전선에 접하게 되면 화재나 전기 충격을 야기할 수 있습니다. 가스관을 손상시키면 폭발 위험이 있습니다. 수도관을 파손하게 되면 재산 피해를 유발하거나 전기 충격을 야기할 수 있습니다.
- ▶ 전동공구를 고정하여 사용하지 마십시오. 이는 틈 테이블에 고정하여 사용하도록 설계된 것이 아닙니다.
- ▶ 고속강 (HSS) 으로 된 틈날은 사용하지 마십시오. 이 틈날은 쉽게 부러질 수 있습니다.
- ▶ 철금속 소재에 품질작업을 하지 마십시오. 매우 뜨거운 틈밥으로 인해 분진 추출장치가 점화될 수 있습니다.
- ▶ 전동공구를 두 손으로 꼭 잡고 안전한 자세로 작업하십시오. 전동공구는 두 손으로 사용하면 더 안전합니다.
- ▶ 작업물을 잘 고정하십시오. 고정장치나 기계 바이스에 끼워서 작업하면 손으로 잡는 것보다 더 안전합니다.
- ▶ 전동공구를 내려놓기 전에 기기가 완전히 멈추었는지 확인하십시오. 틈날이 걸리거나 전동공구에 대한 통제가 어려워질 수 있습니다.
- ▶ 절대로 전원 코드가 손상된 전동공구를 사용하지 마십시오. 작업하다가 전원 코드가 손상된 경우 손상된 코드를 만지지 말고 바로 소켓을 빼십시오. 손상된 전원 코드는 감전을 일으킬 위험이 높습니다.

기능 설명



모든 안전수칙과 지시 사항을 상세히 읽고 지켜야 합니다. 다음의 안전수칙과 지시 사항을 준수하지 않으면 화재 위험이 있으며 감전 혹은 중상을 입을 수 있습니다.

사용 설명서를 읽는 동안 기기의 그림이 나와 있는 접힌 면을 펴 놓고 참고하십시오.

규정에 따른 사용

본 전동공구는 목재를 작업대위에 고정시킨 상태에서 가로 세로의 직선 절단과 모서리 절단작업을 하는데 사용해야 합니다. 적절한 틈날을 사용하면 프로파일과 같은 얇은 비철금속 재질도 절단작업이 가능합니다. 철금속 소재에 작업해서는 안됩니다.

32 | 한국어

제품의 주요 명칭

제품의 주요 명칭에 표기되어 있는 번호는 기기 그림이 나와 있는 면을 참고하십시오.

- 1 전원 스위치
- 2 시동 안전 잠금장치 전원 스위치
(3 601 E23 X../3 601 E23 0B./ 3 601 E22 X..)
- 2 전원 스위치 잠금 버튼(3 601 E23 0C./3 601 E23 0K./ 3 601 E23 0L./3 601 E22 0..)
- 3 스펀들 잠금 버튼
- 4 마이터 각도용 눈금
- 5 평행 조절자용 날개 나사
- 6 절단 각도 설정용 날개 나사
- 7 절단 표시 45°
- 8 절단 표시 0°
- 9 평행 조절자
- 10 하부 안전반
- 11 밀관
- 12 하부 안전반용 조절 레버
- 13 톱밥 배출구(3 601 E23 ...)
- 14 안전반
- 15 육각 키
- 16 와셔가 있는 고정 볼트
- 17 고정 플랜지
- 18 원형 톱날*
- 19 수용 플랜지
- 20 톱 스펀들
- 21 흡입 어댑터(3 601 E23 ...)*
- 22 흡입 어댑터용 고정 볼트(3 601 E23 ...)*
- 23 보조 손잡이*
- 24 보조 손잡이 나사*
- 25 절단 깊이 설정용 날개 나사
- 26 절단 각도 설정용 날개 나사
- 27 나사식 고정장치*

*도면이나 설명서에 나와 있는 액세서리는 표준 공급부품에 속하지 않습니다.

제품 사양

원형 톱	GKS ... Professional	190	190	190	165
제품 번호	3 601 ...	E23 0C. E23 0L. E23 0K.	E23 0B.	E23 X4.	E22 0K. E22 X4.
소비 전력	W	1050	1050	1050	1050
무부하 속도	rpm	4800	4800	4800	5000
최대 절단 깊이					
- 베벨 각도 0° 경우	mm	66	66	66	55
- 베벨 각도 45° 경우	mm	46	46	46	36
스핀들 잠금장치		●	●	●	●
밀관 크기	mm	130 x 260	130 x 260	130 x 260	130 x 240
최대 톱날 직경	mm	190	190	190	165
최소 톱날 직경	mm	184	184	184	160
최대 두께	mm	1.6	1.6	1.6	1.6
중심축 직경	mm	20	19	20	20
EPTA 규정 01/2003 에 따른 중량	kg	3.8	3.8	3.8	3.6
안전 등급		□ / II	□ / II	□ / II	□ / II

자료는 정격 전압 [U] 230/240 V 를 기준으로 한 것입니다. 전압이 낮거나 각국의 특수한 모델에 따라 달라질 수 있습니다.

전동공구의 명판에 표시된 제품 번호를 확인하십시오. 각 전동공구의 명칭이 시중에서 상이하게 사용될 수 있습니다.

조립

원형 톱날 장착하기 / 교환하기

- ▶ 전동공구를 보수 정비하기 전에 반드시 콘센트에서 전원 플러그를 빼십시오.
- ▶ 톱날을 조립할 때 보호장갑을 착용하십시오. 톱날에 닿게 되면 상해를 입을 수 있습니다.
- ▶ 반드시 본 사용 설명서에 나와있는 사양 자료에 맞는 톱날만을 사용하십시오.
- ▶ 절대로 연마석을 톱날로 사용해서는 안됩니다.

톱날 선택하기

권장하는 톱날의 목록은 이 사용 설명서 후면에 나와 있습니다.

톱날 탈착하기 (그림 A 참조)

톱날을 교환할 때 전동공구를 모터 하우징의 앞쪽으로 놓은 것이 제일 좋습니다.

- 스핀들 잠금 버튼 3 을 누르고 누른 상태를 유지하십시오.
- ▶ 스핀들 잠금 버튼 3 은 톱 스핀들이 완전히 정지된 상태에서 서만 작동해야 합니다. 그렇지 않으면 전동공구가 손상될 수 있습니다.
- 육각 키 15 로 고정 볼트 16 을 ① 회전 방향으로 돌려 뺍니다.
- 하부 안전반 10 을 뒤로 움직인 상태로 꼭 잡습니다.
- 고정 플랜지 17 과 톱날 18 을 톱 스핀들 20 에서 빼냅니다.

톱날 조립하기 (그림 A 참조)

톱날을 교환할 때 전동공구를 모터 하우징의 앞쪽으로 놓은 것이 제일 좋습니다.

- 톱날 18 과 조립할 모든 고정용 부품을 깨끗이 닦습니다.
- 하부 안전반 10 을 뒤로 움직인 상태로 꼭 잡습니다.
- 톱날 18 을 수용 플랜지 19 에 댁니다. 톱날의 절단 방향(톱날에 있는 화살표 방향) 과 안전반 14 에 표시된 회전 방향 화살표가 일치해야 합니다.
- 고정 플랜지 17 을 끼우고 고정 볼트 16 을 ② 의 회전 방향으로 끼워 돌립니다. 이때 수용 플랜지 19 와 고정 플랜지 17 의 조립 위치가 제대로 되어 있는지 확인하십시오.
- 스핀들 잠금 버튼 3 을 누르고 누른 상태를 유지하십시오.
- 육각 키 15 를 사용하여 고정 볼트 16 을 ③ 회전 방향으로 세게 조입니다. 고정 토크는 6-9 Nm 으로, 이는 손으로 고정한 것에 추가로 ¼ 회전을 더한 것과 상응합니다.

분진 및 톱밥 추출장치

- ▶ 전동공구를 보수 정비하기 전에 반드시 콘센트에서 전원 플러그를 빼십시오.

▶ 납 성분을 포함한 페인트나 몇몇 나무 종류, 또는 광물 성분 그리고 철과 같은 재료의 분진은 건강을 해칠 수 있습니다. 이 분진을 만지거나 호흡할 경우, 사용자나 주변 사람들은 알레르기 반응이나 호흡기 장애를 일으킬 수 있습니다.

떡갈나무나 너도밤나무와 같은 특정한 분진은 암을 유발시키며, 특히 목재 처리용으로 사용되는 부가 원료(크로마트, 목재보호제)와 혼합되면 암을 유발시키게 됩니다. 석면 성분을 포함한 재료는 오직 전문가가 작업을 해야 합니다.

- 가능한 한 분진 추출 장치를 사용하십시오.
- 작업장의 통풍이 잘 되도록 하십시오.
- 필터등급 P2 가 장착된 호흡 마스크를 사용하십시오.

작업용 재료에 관해 국가가 지정한 규정을 고려 하십시오.

흡입 어댑터 조립하기 (3 601 E23 ...)(그림 B 참조)

흡입 어댑터 21 을 걸리는 소리가 날 때까지 톱밥 배출구 13 에 끼웁니다. 흡입 어댑터 21 을 고정 볼트 22 로 고정하십시오. 흡입 어댑터 21 에 직경 35 mm 의 흡입 호스를 연결할 수 있습니다.

- ▶ 흡입 어댑터는 외부 흡입장치가 연결되지 않은 경우에 사용해서는 안됩니다. 흡입관이 막힐 위험이 있기 때문입니다.

- ▶ 흡입 어댑터에 먼지 주머니를 연결해서는 안됩니다. 흡입 시스템이 막힐 위험이 있기 때문입니다.

분출장치를 최적으로 작동하게 하려면 흡입 어댑터 21 을 정기적으로 청소해야 합니다.

외부 분진 처리 (3 601 E23 ...)

흡입 호스 을 진공 청소기 (별매 액세서리) 에 연결하여 사용하십시오. 연결이 가능한 다양한 진공 청소기의 목록이 이 사용 설명서 후면에 나와 있습니다.

전동공구를 직접 원격 시동 장치가 있는 보쉬 다용도 청소기에 연결하여 사용할 수 있습니다. 이 경우 전동공구의 스위치를 켜면 자동으로 작동이 됩니다.

진공 소제기는 작업하는 소재에 적당한 것이어야 합니다.

특히 건강에 유해한 발암성 혹은 건조한 분진을 처리해야 할 경우에는 특수한 소제기를 사용해야 합니다.

보조 손잡이 조립하기 (그림 C 참조)

- ▶ 전동공구를 보수 정비하기 전에 반드시 콘센트에서 전원 플러그를 빼십시오.

보조 손잡이 23 을 나사 24 를 사용하여 안전반 14 에 고정하십시오.

작동

작동 모드

- ▶ 전동공구를 보수 정비하기 전에 반드시 콘센트에서 전원 플러그를 빼십시오.

절단 깊이 조절하기 (그림 D 참조)

- ▶ 절단 깊이를 작업물의 두께에 맞게 조절하십시오. 작업물 아래로 톱날의 톱니가 한 개 이상 보이면 안됩니다.

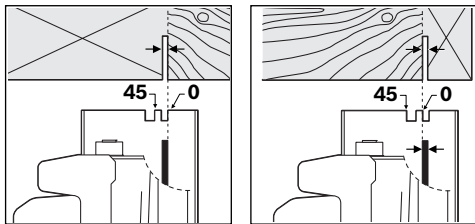
날개 나사 25 를 풀니다. 깊이로 절단하려면 톱을 밀판 11 에서 잡아 당기고, 깊은 절단작업을 하려면 톱을 밀판 11 쪽으로 누르십시오. 날개 나사 25 를 다시 꼭 조입니다.

마이러 각도 설정하기

전동공구를 안전반 14 의 앞쪽으로 두는 것이 가장 좋습니다.

날개 나사 6 과 26 을 풀니다. 톱을 옆쪽으로 움직입니다. 원하는 수치를 눈금자 4 에 맞춥니다. 날개 나사 6 과 26 을 다시 조입니다.

절단 표시



절단 표시 0° (8) 은 직각 절단을 할 때 톱날의 위치를 나타냅니다. 절단 표시 45° (7) 은 45° 각도로 절단할 때 톱날의 위치를 나타냅니다.

정확한 절단을 하려면 원형 톱을 그림에 나와있는 것처럼 작업물에 대십시오. 제일 좋은 방법은 우선 시험 절단을 해보십시오.

기계 시동

- ▶ 공공 배전 전압에 주의! 공급되는 전원의 전압은 전동공구의 명판에 표기된 전압과 동일해야 합니다.

전원 스위치 작동

(3 601 E23 X../3 601 E23 0B./3 601 E22 X..)

전동공구를 작동하려면 우선 시동 안전 잠금장치 2 를 켜고 **그리고 나서** 전원 스위치 1 을 누르거나 누른 상태를 유지하십시오.

전동공구의 스위치를 끄려면 전원 스위치 1 을 놓으면 됩니다.

주의: 작업 안전을 위해 전원 스위치 1 을 고정할 수 없으므로, 작동 중에 이를 계속 누른 채 유지해야 합니다.

전원 스위치 작동

(3 601 E23 0C./3 601 E23 0K./

3 601 E23 0L./3 601 E22 0..)

전동공구를 작동하려면 전원 스위치 1 을 누르고 누른 상태를 유지하십시오.

전원 스위치 1 을 **누른 상태로** 유지하려면, 잠금 버튼 2 를 누르십시오.

전동공구의 스위치를 끄려면 전원 스위치 1 을 놓거나 잠금 버튼 2 로 고정된 경우 전원 스위치 1 을 살짝 눌렀다가 다시 놓습니다.

사용방법

톱날에 충격을 주지 않도록 하십시오.

전동공구를 일정하게 가볍게 누르면서 절단 방향으로 움직입니다. 무리하게 밀면서 작업하면 톱날의 수명이 훨씬 짧아지며 전동공구를 손상시킬 수 있습니다.

톱의 성능과 절단작업의 성공 여부는 대부분 톱날 상태와 톱니 형태에 따라 좌우됩니다. 그러므로 반드시 날카롭고 작업하려는 소재에 적당한 톱날만을 사용해야 합니다.

목재에 톱질작업하기

톱날의 올바른 선택은 목재의 종류와 품질 그리고 세로 혹은 가로 절단을 하느냐에 따라 달라집니다.

가문비나무에 세로 절단을 할 경우 긴 나선형의 톱밥이 생깁니다.

너도밤나무와 떡갈나무에 작업할 때 생기는 분진은 특히 건강에 유해하므로 반드시 분진 추출장치와 함께 사용해야 합니다.

평행 조절자를 사용한 톱질작업 (그림 E 참조)

평행 조절자 9 를 사용하면 작업물 모서리를 따라 정확하게 절단할 수 있으며, 또한 길고 가는 모양으로 동일하게 절단할 수 있습니다.

날개 나사 5 를 풀고 평행 조절자 9 의 눈금자를 밀판 11 에 있는 가이드 쪽으로 밀어 끼웁니다. 그리고 나서 원하는 절단 폭을 해당하는 절단 표시 8 이나 7 의 눈금치에 맞춥니다. "절단 표시" 부분 참조. 날개 나사 5 를 다시 조입니다.

보조 가이드를 사용한 톱질작업 (그림 F 참조)

크기가 큰 작업물을 절단하거나 직선의 모서리를 자를 경우, 판자나 길쭉한 나무 조각을 보조 가이드로 작업물에 고정한다음에 밀판이 있는 원형 톱을 보조 가이드를 따라 움직이면 됩니다.

보수 정비 및 서비스**보수 정비 및 유지**

- ▶ **전동공구를 보수 정비하기 전에 반드시 콘센트에서 전원 플러그를 빼십시오.**
- ▶ **안전하고 올바른 작동을 위하여 전동공구와 전동공구의 환기구를 항상 깨끗이 하십시오.**

하부 안전반 항상 자유로이 움직여야 하고 자동으로 잠겨야 합니다. 그러므로 하부 안전반 주위를 항상 깨끗이 유지하십시오. 분진과 톱밥은 압력 공기로 불어내거나 솔을 사용하여 제거하십시오.

코팅되지 않은 톱날은 무산 오일을 얇게 발라서 부식이 되지 않도록 보호할 수 있습니다. 톱질작업을 하기 전에 오일을 다시 제거하십시오. 그렇지 않으면 목재에 얼룩이 생깁니다.

톱날에 수지나 접착제 찌꺼기가 남아 있으면 제대로 절단이 안 됩니다. 그러므로 톱날을 사용한 후 바로 깨끗이 닦으십시오.

세심한 제작과 검사에도 불구하고 전동공구가 불량한 경우가 있다면 보수 고객 지원본부나 가까운 보쉬 지정 전동공구 서비스 센터에 수리를 의뢰하십시오.

문의 사항이 있거나 스페어 부품을 주문할 때 반드시 전동공구의 타입 표시판에 적힌 10 자리의 제품 번호를 알려 주십시오.

AS 센터 및 고객 상담

AS 센터에서는 귀하 제품의 수리 및 보수정비, 그리고 부품에 관한 문의를 받고 있습니다. 제품의 분해도 및 부품에 관한 정보는 다음의 주소에서도 보실 수 있습니다:

www.bosch-pt.com

보쉬 AS 센터 팀은 제품과 액세서리의 구매, 사용법 및 설정에 관해 상담해 드립니다.

한국로버트보쉬기전주식회사

Robert Bosch Korea Mechanic and Electronics Ltd.

전동공구 사업부

경기도 용인시 기흥구 보정동 298 번지

전화: +82 31 270-4143/4148/4620

팩스: +82 31 270-7613/4144

고객지원본부

경기도 용인시 기흥구 보정동 298 번지

전화: +82 31 270 4682

팩스: +82 31 270 4785

E-Mail: Bosch-pt.hotline@kr.bosch.com

Internet: www.bosch.co.kr

처리

기기와 액세서리 및 포장 등은 환경 친화적인 방법으로 재생활 수 있도록 분류하십시오.

위 사항은 사전 예고 없이 변경될 수도 있습니다.

คำเตือนทั่วไปเพื่อความปลอดภัย ในการใช้เครื่องมือไฟฟ้า

คำเตือน ต้องอ่านคำเตือนเพื่อความปลอดภัยและคำสั่งทั้งหมด การไม่ปฏิบัติตามคำเตือนและคำสั่งอาจเป็นสาเหตุให้ถูกไฟฟ้าดูด เกิดไฟไหม้ และ/หรือได้รับบาดเจ็บอย่างร้ายแรง

คำเตือนอาจเป็นสาเหตุให้ถูกไฟฟ้าดูด เกิดไฟไหม้ และ/หรือได้รับบาดเจ็บอย่างร้ายแรง

เก็บรักษาคำเตือนและคำสั่งทั้งหมดสำหรับเปิดอ่านในภายหลัง

คำว่า "เครื่องมือไฟฟ้า" ในคำเตือนหมายถึง เครื่องมือไฟฟ้าของท่านที่ทำงานด้วยพลังงานไฟฟ้าที่ต่อจากเต้าเสียบ (มีสายไฟฟ้า) และเครื่องมือไฟฟ้าที่ทำงานด้วยพลังงานไฟฟ้าจากแบตเตอรี่ (ไร้สาย)

1) ความปลอดภัยในสถานที่ทำงาน

ก) รักษาสถานที่ทำงานให้สะอาดและมีไฟส่องสว่างดี

สถานที่ที่มีมืดหรือรกรุงร่งนำมาซึ่งอุบัติเหตุ

ข) อย่าใช้เครื่องมือไฟฟ้าในสภาพแวดล้อมที่เสี่ยงต่อการติดระเบิดได้ เช่น ในที่มีมีของเหลว แก๊ส หรือฝุ่นที่ติดไฟได้ เมื่อใช้เครื่องมือไฟฟ้าจะเกิดประกายไฟซึ่งอาจจุดฝุ่นหรือไอให้ลุกเป็นไฟได้

ค) ขณะใช้เครื่องมือไฟฟ้าทำงาน ต้องกันเด็กและผู้ยืนดูให้ออกห่าง การหันเหความสนใจอาจทำให้ท่านขาดการควบคุมเครื่องได้

2) ความปลอดภัยเกี่ยวกับไฟฟ้า

ก) ปลั๊กของเครื่องมือไฟฟ้าต้องมีขนาดพอดีกับเต้าเสียบ อย่าตัดแปลงหรือแก้ไขตัวปลั๊กอย่างเด็ดขาด อย่าต่อปลั๊กต่อกันเข้ากับเครื่องมือไฟฟ้าที่มีสายดิน ปลั๊กที่ไม่ตัดแปลงและเต้าเสียบที่เข้ากันช่วยลดความเสี่ยงจากการถูกไฟฟ้าดูด

ข) หลีกเลี่ยงไม่ให้ร่างกายสัมผัสกับพื้นผิวของสิ่งของที่อยู่ติดสายดินไว้ เช่น ท่อ เครื่องทำความร้อน เตา และตู้เย็น จะเสี่ยงอันตรายจากการถูกไฟฟ้าดูดมากขึ้นหากกระแสไฟวิ่งผ่านร่างกายของท่านลงดิน

ค) อย่าวางเครื่องมือไฟฟ้าตากฝนหรือทิ้งไว้ในที่ชื้นและหากน้ำเข้าในเครื่องมือไฟฟ้า จะเพิ่มความเสี่ยงจากการถูกไฟฟ้าดูด

ง) อย่าใช้สายไฟฟ้าอย่างมิดๆ อย่าถือเครื่องมือไฟฟ้าที่สาย อย่าใช้สายแฉวนเครื่อง หรืออย่าดึงสายไฟฟ้าเพื่อถอดปลั๊กออกจากเต้าเสียบ กันสายไฟฟ้าออกห่างจากความร้อน น้ำมัน ขอบแหลมคม หรือส่วนของเครื่องที่กำลังเคลื่อนไหว สายไฟฟ้าที่ชำรุดหรือพันกันยุ่งเพิ่มความเสี่ยงจากการถูกไฟฟ้าดูด

จ) เมื่อใช้เครื่องมือไฟฟ้าทำงานกลางแจ้ง ให้ใช้สายไฟต่อที่ได้รับการรับรองให้ใช้ต่อในกลางแจ้งเท่านั้น การใช้สายไฟต่อที่เหมาะสมสำหรับงานกลางแจ้งช่วยลดอันตรายจากการถูกไฟฟ้าดูด

ฉ) หากไม่สามารถหลีกเลี่ยงการใช้เครื่องมือไฟฟ้าทำงานในสถานที่เปียกชื้นได้ ให้ใช้วิธีตัดวงจรเมื่อเกิดการรั่วไหลของไฟฟ้าจากสายดิน การใช้วิธีตัดวงจรเมื่อเกิดการรั่วไหลของไฟฟ้าจากสายดินช่วยลดความเสี่ยงต่อการถูกไฟฟ้าดูด

3) ความปลอดภัยของบุคคล

ก) ท่านต้องอยู่ในสภาพเตรียมพร้อม ระวังสิ่งที่กำลังทำอยู่ และมีสติขณะใช้เครื่องมือไฟฟ้าทำงาน อย่าใช้เครื่องมือไฟฟ้าขณะที่ท่านกำลังเหนื่อย หรืออยู่ภายใต้การครอบงำของฤทธิ์ของยาเสพติด แอลกอฮอล์ และยา เมื่อใช้เครื่องมือไฟฟ้าทำงาน ในช่วงเวลาที่ท่านขาดความเอาใจใส่อาจทำให้บุคคลบาดเจ็บอย่างรุนแรงได้

ข) ใช้อุปกรณ์ปกป้องร่างกาย สวมแว่นตาป้องกันเสมอ อุปกรณ์ปกป้อง เช่น หน้ากากกันฝุ่น รองเท้านิรภัย หมวกแข็ง หรืออุปกรณ์กันเสียงดัง ที่เลือกใช้ตามความเหมาะสมกับสภาพการทำงาน สามารถลดอันตรายต่อบุคคลได้

ค) ป้องกันการติดเครื่องโดยไม่ตั้งใจ ต้องดูให้แน่ใจว่าสวิทช์อยู่ในตำแหน่งปิดก่อนเสียบปลั๊กไฟเข้าในเต้าเสียบ และ/หรือใส่แท่งแบตเตอรี่ ยึดขึ้นหรือถือเครื่องมือ การถือเครื่องโดยใช้นิ้วหัวแม่มือหรือเสียบปลั๊กไฟขณะสวิทช์เปิดอยู่ อาจนำไปสู่อุบัติเหตุที่ร้ายแรงได้

ง) เอาเครื่องมือปรับแต่งหรือประแจปากตายออกจากเครื่องมือไฟฟ้าก่อนเปิดสวิทช์ เครื่องมือหรือประแจปากตายที่วางอยู่กับส่วนของเครื่องที่กำลังหมุนจะทำให้บุคคลบาดเจ็บได้

- จ) หลีกเลี่ยงการตั้งท่าที่ผิดปกติ ตั้งทำยี่นที่มั่นคงและวางน้ำหนักให้สมดุลตลอดเวลา ในลักษณะนี้ท่านสามารถควบคุมเครื่องมือไฟฟ้าในสถานการณ์ที่ไม่คาดคิดได้ดีกว่า
- ฉ) ใส่เสื้อผ้าที่เหมาะสม อย่าใส่เสื้อผ้าหลวมหรือสวมเครื่องประดับ เอาหมวก เสื้อผ้า และถุงมือออกห่างส่วนของเครื่องที่กำลังหมุน เสื้อผ้าหลวม เครื่องประดับ และผมยาวอาจเข้าไปติดในส่วนของเครื่องที่กำลังหมุนได้
- ช) หากต้องต่อเครื่องมือไฟฟ้าเข้ากับเครื่องดูดฝุ่นหรือเครื่องเก็บผง ดูให้แน่ใจว่าการเชื่อมต่อและการใช้งานเป็นไปอย่างถูกต้อง การใช้อุปกรณ์ดูดฝุ่นช่วยลดอันตรายที่เกิดจากฝุ่นได้
- 4) การใช้และการดูแลรักษาเครื่องมือไฟฟ้า

- ก) อย่าใช้เครื่องมือไฟฟ้าอย่างหักโหม ใช้เครื่องมือไฟฟ้าที่ถูกต้องตรงตามลักษณะงาน เครื่องมือไฟฟ้าที่ถูกต้องจะทำงานได้ดีกว่าและปลอดภัยกว่าในระดับสมรรถภาพที่ออกแบบไว้
- ข) อย่าใช้เครื่องมือไฟฟ้าที่สวิทช์เปิดปิดเสีย เครื่องมือไฟฟ้าที่ไม่สามารถควบคุมการเปิดปิดด้วยสวิทช์ได้ เป็นเครื่องมือไฟฟ้าที่ไม่ปลอดภัยและต้องส่งซ่อมแซม
- ค) ก่อนปรับแต่งเครื่อง เปลี่ยนอุปกรณ์ประกอบ หรือเก็บเครื่องเข้าที่ ต้องถอดปลั๊กไฟออกจากเต้าเสียบและ/หรือถอดแท่งแบตเตอรี่ออกจากเครื่องมือไฟฟ้า มาตรการป้องกันเพื่อความปลอดภัยนี้ช่วยลดความเสี่ยงจากการติดเครื่องโดยไม่ได้ตั้งใจ
- ง) เมื่อเลิกใช้งานเครื่องมือไฟฟ้า ให้เก็บเครื่องไว้ในที่ที่เด็กหยิบไม่ถึง และไม่อนุญาตให้บุคคลที่ไม่คุ้นเคยกับเครื่องหรือบุคคลที่ไม่ได้อ่านคำแนะนำนำใช้เครื่องมือไฟฟ้าเป็นของอันตรายหากตกอยู่ในมือของผู้ใช้ที่ไม่ได้รับการฝึกฝน
- จ) เอาใจใส่ดูแลรักษาเครื่อง ตรวจสอบหาส่วนที่เคลื่อนไหวได้ของเครื่องว่าวางอยู่ตรงแนวหรือติดขัดหรือไม่ ตรวจสอบการแตกหักของชิ้นส่วนและสภาพอื่นใดที่อาจมีผลต่อการทำงานของเครื่องมือไฟฟ้า หากชำรุดต้องส่งเครื่องมือไฟฟ้าซ่อมแซมก่อนใช้งาน อุบัติเหตุหลายอย่างเกิดขึ้นเนื่องจากดูแลรักษาเครื่องไม่ดีพอ

- ฉ) รักษาเครื่องมือตัดให้คมและสะอาด หากบำรุงรักษาเครื่องมือที่มีขอบตัดแหลมคมอย่างถูกต้อง จะสามารถตัดได้ลื่นไม่ติดขัดและควบคุมได้ง่ายกว่า
- ช) ใช้เครื่องมือไฟฟ้า อุปกรณ์ประกอบ เครื่องมือ และอุปกรณ์อื่น ๆ ให้ตรงตามคำแนะนำนี้ และในลักษณะตามที่เครื่องมือไฟฟ้าประเภทนั้น ๆ กำหนดไว้ โดยต้องคำนึงถึงเงื่อนไขการทำงานและงานที่จะทำด้วย การใช้เครื่องมือไฟฟ้าทำงานที่ต่างไปจากวัตถุประสงค์การใช้งานของเครื่อง อาจนำไปสู่สถานการณ์ที่เป็นอันตรายได้
- 5) การบริการ
- ก) ส่งเครื่องมือไฟฟ้าให้ช่างผู้เชี่ยวชาญตรวจสอบและใช้อะไหล่เปลี่ยนของแท้เท่านั้น ในลักษณะนี้ท่านจะแน่ใจได้ว่าเครื่องมือไฟฟ้าอยู่ในสภาพที่ปลอดภัย

คำแนะนำเพื่อความปลอดภัย

เฉพาะเครื่อง

- ▶ อันตราย: เอามือออกจากใบเลื่อยและบริเวณงานตัด ใช้มือที่สองของท่านจับที่ค้ำจับเพิ่มหรือที่ครอบมอเตอร์ หากมือทั้งสองถือเครื่องเลื่อยอยู่ มือจะไม่ถูกใบเลื่อยตัด
- ▶ อย่าเอื้อมจับด้านล่างของชิ้นงาน กระบ้งป้องกันใบเลื่อยไม่สามารถป้องกันท่านจากใบเลื่อยได้ชิ้นงานได้
- ▶ ปรับความลึกการตัดให้เหมาะกับความหนาของชิ้นงาน ฟันเลื่อยควรโผล่ยื่นออกมาทางด้านล่างของชิ้นงานน้อยกว่าหนึ่งฟันเต็ม
- ▶ อย่าใช้มือถือชิ้นงานที่จะตัดหรือจับพวกไว้บนขา ให้อ่างชิ้นงานลงบนแท่นรองที่มั่นคง การยึดชิ้นงานอย่างถูกต้องเป็นเรื่องสำคัญมาก ทั้งนี้เพื่อลดอันตรายจากการสัมผัสกับร่างกาย การติดขัดของใบเลื่อย หรือการขาดการควบคุม
- ▶ เมื่อทำงานในบริเวณที่เครื่องมืออาจเจาะเข้าไปในสายไฟฟ้าที่ซ่อนอยู่หรือเจาะเข้าไปในสายไฟฟ้าหลักของเครื่อง ต้องจับเครื่องมือไฟฟ้าตรงค้ำจับที่หุ้มฉนวนเท่านั้น การสัมผัสกับสายที่มีกระแสไฟฟ้าไหลอยู่จะทำให้ส่วนที่เป็นโลหะของเครื่องเกิดมีกระแสไฟฟ้าด้วย และส่งผลให้ผู้ใช้งานเครื่องถูกไฟฟ้ากระตุกได้
- ▶ เมื่อต้องการตัดตามยาวให้ใช้แถบกันหรือแฉกนำเส้นตรงร่วมด้วยเสมอ การทำเช่นนี้จะช่วยให้ตัดได้เที่ยงตรงขึ้นและลดการติดขัดของใบเลื่อย

- ▶ ใช้ใบเลื่อยที่มีขนาดที่ถูกต้องและเข้ากับรูแกนได้เสมอ (รูปลี่เหลี่ยมขนมเปียกปูนหรือรูปกลม) ใบเลื่อยที่มีขนาดใหญ่ไม่เข้ากับส่วนของเครื่องที่จะประกอบเข้าจะวิ่งเยื้องศูนย์ ทำให้เสียการควบคุม
- ▶ อย่าใช้แหวนรองหรือโบลท์ยึดใบเลื่อยที่ไม่ถูกต้องหรือชำรุด แหวนรองหรือโบลท์ยึดใบเลื่อยถูกออกแบบเป็นพิเศษสำหรับเครื่องเลื่อยของท่าน เพื่อทำงานให้ได้ประสิทธิภาพสูงสุด และเพื่อความปลอดภัยในการทำงาน
- ▶ สาเหตุและการป้องกันการตีกลับ ไปดูผู้ใช้เครื่อง:
 - การตีกลับเป็นแรงสะท้อนที่เกิดขึ้นฉับพลันของใบเลื่อยที่งอติดขัด หรือปรับแนวผิด ทำให้เครื่องเลื่อยที่ควบคุมไม่ได้ยกตัวหนีออกจากชิ้นงานและเคลื่อนเข้าหาผู้ใช้เครื่อง
 - เมื่อใบเลื่อยงอหรือติดขัดแน่นเนื่องจากคลงเลื่อยปิดลง ใบเลื่อยจะถูกบล็อก และแรงสะท้อนของมอเตอร์จะผลักเครื่องถอยหลังกลับไปยังผู้ใช้เครื่องอย่างรวดเร็ว
 - หากใบเลื่อยเกิดบิดหรือปรับผิดแนวในร่องตัด พื้นเลื่อยซี่ท้ายอาจมีผลบนด้านบนของพื้นผิวไม้ ทำให้ใบเลื่อยบินออกจากคลงเลื่อยและกระโดดกลับมายังผู้ใช้เครื่อง
 การตีกลับเป็นผลจากการใช้เครื่องเลื่อยในทางที่ผิด และ/หรือ มีสภาพหรือขั้นตอนการทำงานที่ไม่ถูกต้อง ท่านสามารถหลีกเลี่ยงได้โดยใช้มาตรการป้องกันล่วงหน้าที่เหมาะสมดังต่อไปนี้
- ▶ จับเครื่องเลื่อยอย่างมั่นคงด้วยมือทั้งสองข้างเสมอ และตั้งท่าแขนของท่านไว้ด้านแรงตีกลับ ตั้งตำแหน่งร่างกายของท่านให้อยู่ทางด้านข้างของใบเลื่อยด้านใดด้านหนึ่ง แต่อย่าอยู่ในแนวเดียวกับใบเลื่อย การตีกลับอาจทำให้เครื่องกระโดดถอยหลัง แต่ผู้ใช้เครื่องสามารถควบคุมแรงตีกลับได้ หากได้ใช้มาตรการป้องกันล่วงหน้าที่เหมาะสม
- ▶ เมื่อใบเลื่อยเกิดติดขัด หรือการตัดหยุดชะงักด้วยเหตุใด ๆ ให้ปลดสวิตช์เปิด-ปิดและจับเครื่องนิ่ง ๆ อย่าให้เคลื่อนไหวในวัสดุจนกว่าใบเลื่อยจะหยุดวิ่งอย่างสิ้นเชิง อย่าพยายามเอาเครื่องเลื่อยออกจากชิ้นงานหรือดึงเครื่องเลื่อยไปข้างหลังขณะใบเลื่อยกำลังวิ่งอยู่ มิฉะนั้นอาจเกิดการตีกลับได้ ตรวจสอบสาเหตุและดำเนินการแก้ไขเพื่อจัดการติดขัดของใบเลื่อย
- ▶ เมื่อสตาร์ทเครื่องเลื่อยอีกครั้งในชิ้นงาน ให้ตั้งใบเลื่อยไว้ตรงกลางในคลงเลื่อย และตรวจสอบไม่ให้พื้นเลื่อยขบอยู่ในวัสดุ หากใบเลื่อยติดขัด ใบเลื่อยอาจเคลื่อนออกจากชิ้นงานหรือตีกลับเมื่อสตาร์ทเครื่องเลื่อยอีกครั้ง
- ▶ หนุนแผ่นชิ้นงานที่มีขนาดใหญ่เพื่อลดความเสี่ยงจากการบิดงอหรือการตีกลับของใบเลื่อย แผ่นชิ้นงานที่มีขนาดใหญ่ มักจะห้อยหอนตามความถ่วงน้ำหนักของตัวเอง ต้องใช้ที่รองหนุนใต้แผ่นชิ้นงานทั้งสองข้าง คือใกล้เส้นตัดและใกล้ขอบแผ่นชิ้นงาน
- ▶ อย่าใช้ใบเลื่อยที่งอหรือชำรุด ใบเลื่อยที่พื้นหรือจุดไม่ถูกต้อง จะได้คลงเลื่อยแคบทำให้เกิดการเสียดสีมากเกินไป ใบเลื่อยติดขัด และเกิดการตีกลับ
- ▶ ก่อนตัด ต้องสับและลั่นคานคันปรับความลึกใบเลื่อยและคันปรับความลาดเอียงของมุมตัดให้แน่น หากการปรับใบเลื่อยเคลื่อนที่ขณะทำการตัด อาจทำให้ใบเลื่อยติดขัดและตีกลับได้
- ▶ ใช้ความระวังเป็นพิเศษเมื่อ "จ้วงตัด" ในฝานั่งที่มีอยู่แล้วหรือในบริเวณที่ไม่สามารถมองเห็นได้ ใบเลื่อยที่ยื่นออกมาอาจตัดถูกวัตถุที่อาจทำให้เกิดการตีกลับได้
- ▶ ตรวจสอบกระบังล่างให้เปิดอย่างถูกต้องก่อนใช้งานทุกครั้ง อย่าใช้เครื่องเลื่อยหากกระบังล่างเคลื่อนไหวไปมาอย่างอิสระไม่ได้และไม่ปิดในทันที อย่าหนีบหรือผูกกระบังล่างให้อยู่ในตำแหน่งเปิด หากเครื่องเลื่อยบังเคียวตก กระบังล่างอาจเด้งงอ เปิดกระบังล่างด้วยคันจับที่ชักกรนได้และดูให้แน่ใจว่ากระบังล่างเคลื่อนไหวไปมาได้อย่างอิสระ และไม่แตะใบเลื่อยหรือส่วนอื่นใดในมุมตัดและความลึกการตัดทั้งหมด
- ▶ ตรวจสอบการทำงานของสปริงของกระบังล่าง หากกระบังและสปริงทำงานไม่ถูกต้อง ต้องส่งเข้ารับบริการก่อนใช้งาน กระบังล่างอาจทำงานเอียงเนื่องจากชิ้นส่วนชำรุด ซึ่ขบถูกหัดมากองติดเหนียว หรือกองสะสมกัน
- ▶ ควรใช้มือเปิดกระบังล่างเฉพาะเมื่อต้องการตัดแบบพิเศษเท่านั้น เช่น "การจ้วงตัด" และ "การตัดมุม" เปิดกระบังล่างด้วยคันจับที่ชักกรนได้ และในทันทีที่ใบเลื่อยขบเข้าในวัสดุ จะต้องปล่อยกระบังล่างลง สำหรับการเลื่อยแบบอื่นทั้งหมด กระบังล่างควรต้องทำงานเองโดยอัตโนมัติ
- ▶ ก่อนวางเครื่องเลื่อยลงบนโต๊ะทำงานหรือบนพื้น พึงสังเกตเห็นให้กระบังล่างครอบใบเลื่อยทุกครั้ง ใบเลื่อยที่ไม่ได้ถูกปกป้องและยังคงวิ่งต่อจะทำให้เครื่องเลื่อยเดินถอยหลัง ดัดสิ่งใดก็ตามที่ขวางทาง พึงคำนึงถึงระยะเวลาที่ใบเลื่อยจะหยุดหลังจากปลดสวิตช์แล้ว
- ▶ อย่ายื่นมือเข้าไปในช่องฟันซึ่ขบออก ท่านอาจบาดเจ็บจากชิ้นส่วนที่หมุนอยู่

- ▶ อย่าใช้เครื่องเลื่อยทำงานเหนือศีรษะ ในลักษณะนี้ท่านจะไม่สามารถควบคุมเครื่องมือไฟฟ้าได้อย่างเพียงพอ
- ▶ ใช้เครื่องตรวจที่เหมาะสมตรวจหาท่อ สายไฟฟ้า หรือสายโทรศัพท์ ที่อาจซ่อนอยู่ในบริเวณที่ทำงาน หรือขอความช่วยเหลือจากบริษัทสาธารณูปโภคในท้องถิ่น การสัมผัสกับสายไฟฟ้าอาจทำให้เกิดไฟไหม้หรือถูกไฟฟ้าดูด การทำให้ท่อแก๊สเสียหายอาจทำให้เกิดระเบิด การเจาะเข้าในท่อน้ำทำให้ทรัพย์สินเสียหาย หรืออาจเป็นเหตุให้ถูกไฟฟ้าดูดได้
- ▶ อย่าใช้เครื่องมือไฟฟ้าโดยตรงเครื่องอยู่กับที่ เครื่องมือไฟฟ้านี้ไม่ได้ออกแบบไว้สำหรับใช้กับโต๊ะเลื่อย
- ▶ อย่าใช้ใบเลื่อยที่ทำจากเหล็กเหนียว HSS (high speed steel) ใบเลื่อยชนิดนี้แตกง่าย
- ▶ อย่าเลื่อยโลหะที่เป็นเหล็กทุกชนิด เศษขี้เลื่อยร้อนสีแดงสามารถจุดระบบดูดฝุ่นให้ลุกไหม้ได้
- ▶ เมื่อใช้เครื่องทำงาน ต้องใช้มือทั้งสองจับเครื่องให้แน่น และตั้งท่ายืนที่มั่นคงเสมอ เครื่องมือไฟฟ้าสามารถเคลื่อนน้ำได้มั่นคงกว่าเมื่อใช้มือทั้งสองข้างจับ
- ▶ ยึดชิ้นงานให้แน่น การยึดชิ้นงานด้วยเครื่องหนีบหรือแท่นจับจะมั่นคงกว่าการยึดด้วยมือ
- ▶ ก่อนวางเครื่องลงบนพื้นทุกครั้ง ต้องรอให้เครื่องหยุดนิ่งอยู่กับที่เสมอ มิฉะนั้นเครื่องมือที่เสื่ออยู่อาจติดขัดและนำไปสู่การสูญเสียการควบคุมเครื่องมือไฟฟ้า
- ▶ อย่าใช้เครื่องที่สายไฟฟ้าชำรุด หากสายไฟฟ้าชำรุดขณะทำงาน อย่าสัมผัสสายไฟฟ้าที่ชำรุด ให้ดึงปลั๊กไฟฟ้าหลักออกจากเต้าเสียบ สายไฟฟ้าชำรุดเพิ่มความเสี่ยงจากการถูกไฟฟ้าช็อกหรือดูด

ลักษณะหน้าที่



ต้องอ่านคำเตือนเพื่อความปลอดภัยและคำสั่งทั้งหมด การไม่ปฏิบัติตามคำเตือนและคำสั่งอาจเป็นสาเหตุให้ถูกไฟฟ้าดูด เกิดไฟไหม้ และ/หรือได้รับบาดเจ็บอย่างร้ายแรง

ขณะอ่านคู่มือการใช้งานเครื่อง ให้เปิดหน้าที่แสดงภาพประกอบของเครื่องและเปิดค้างไว้

ประโยชน์การใช้งานของเครื่อง

เครื่องนี้ใช้สำหรับตัดไม้ตามยาวและตามขวางโดยตัดเป็นเส้นตรงรวมทั้งตัดเป็นมุมฉากได้ขณะวางอย่างมั่นคงบนชิ้นงาน เมื่อใช้ใบเลื่อยที่เหมาะสมยังสามารถเลื่อยโลหะที่ไม่ใช่เหล็กชนิดผนังบาง ต. ย. เช่น รูปโครงร่าง ได้อีกด้วย ห้ามใช้เลื่อยโลหะที่เป็นเหล็กทุกชนิด

ส่วนประกอบผลิตภัณฑ์

ลำดับเลขของส่วนประกอบผลิตภัณฑ์อ้างอิงถึงส่วนประกอบของเครื่องที่แสดงในหน้าภาพประกอบ

- 1 สวิตช์เปิด-ปิด
- 2 ปุ่มล็อคไม้ให้สวิตช์เปิด-ปิดทำงาน (3 601 E23 X../3 601 E23 0B./ 3 601 E22 X..)
- 2 ปุ่มล็อคสวิตช์เปิด-ปิด (3 601 E23 0C./3 601 E23 0K./ 3 601 E23 0L./3 601 E22 0..)
- 3 ปุ่มล็อคแกน
- 4 มาตรวัดมุมฉาก
- 5 น็อตปีกสำหรับแฉกกำหนดแนวขนาน
- 6 น็อตปีกสำหรับการเลือกมุมเฉียงล่วงหน้า
- 7 เครื่องหมายตัด 45°
- 8 เครื่องหมายตัด 0°
- 9 แฉกกำหนดแนวขนาน
- 10 กระจับป้องกันใบเลื่อยชนิดชักกรันได้
- 11 แผ่นฐาน
- 12 คันจับสำหรับกระจับป้องกันใบเลื่อยชนิดชักกรันได้
- 13 ช่องพ่นชักบอดอก (3 601 E23 ...)
- 14 กระจับป้องกันใบเลื่อย
- 15 ประแจขันทกเหลี่ยม
- 16 โบลท์ยึดพร้อมแหวนรอง
- 17 น็อตยึด
- 18 ใบเลื่อย*
- 19 น็อตรอง
- 20 แกนเครื่อง
- 21 ข้อต่อท่อดูดออก (3 601 E23 ...)*
- 22 สกรูยึดข้อต่อท่อดูดออก (3 601 E23 ...)*

40 | ภาษาไทย

- 23 ด้ามจับเพิ่ม*
 24 สกรูสำหรับด้ามจับเพิ่ม*
 25 น็อตปีกสำหรับการเลือกความลึกการตัดล่องหน้า

- 26 น็อตปีกสำหรับการเลือกมุมเสียดล่องหน้า
 27 ชุดเครื่องหนีบแบบขั้นเกลียว*

*อุปกรณ์ประกอบในภาพประกอบหรือในคำอธิบาย ไม่รวมอยู่ในการจัดส่งมาตรฐาน

ข้อมูลทางเทคนิค

เลื่อยวงเดือน	GKS ... Professional	190	190	190	165
หมายเลขสินค้า	3 601 ...	E23 0C. E23 0L. E23 0K.	E23 0B.	E23 X4.	E22 0K. E22 X4.
กำลังไฟฟ้าเข้ากำหนด	วัตต์	1050	1050	1050	1050
ความเร็วรอบเดินตัวเปล่า	รอบ/นาที	4800	4800	4800	5000
ความลึกการตัด สูงสุด					
— สำหรับมุมเอียง 0°	มม.	66	66	66	55
— สำหรับมุมเอียง 45°	มม.	46	46	46	36
การล็อกแกน		●	●	●	●
ขนาดแผ่นฐาน	มม.	130 x 260	130 x 260	130 x 260	130 x 240
เส้นผ่าศูนย์กลางใบเลื่อย ยาวที่สุด	"	7 ½	7 ½	7 ½	6 ½
เส้นผ่าศูนย์กลางใบเลื่อย สั้นที่สุด	"	7 ¼	7 ¼	7 ¼	6 ¼
ความหนาใบเลื่อย สูงสุด	มม.	1,6	1,6	1,6	1,6
รูปประกอบ	มม.	20	19	20	20
น้ำหนักตามระเบียบการ-EPTA-Procedure 01/2003	กก.	3,8	3,8	3,8	3,6
ระดับความปลอดภัย		☐ / II	☐ / II	☐ / II	☐ / II

ค่าที่ใหม่ใช้กับแรงดันไฟฟ้าระบุ [U] 230/240 โวลต์ ค่าเหล่านี้อาจผิดแมกไปสำหรับแรงดันไฟฟ้าที่ต่ำกว่า และโมเดลที่สร้างสำหรับเฉพาะประเทศ

เครื่องแต่ละเครื่องอาจมีชื่อทางการค้าแตกต่างกัน ดังนั้นกรุณาสังเกตหมายเลขสินค้าบนแผ่นป้ายรุ่นของเครื่องของท่าน

การประกอบ

การประกอบ/การเปลี่ยนใบเลื่อย

- ▶ ดึงปลั๊กไฟออกจากเต้าเสียบก่อนปรับแต่งเครื่อง
- ▶ สวมถุงมือป้องกันอันตรายเมื่อประกอบใบเลื่อยเข้า การสัมผัสกับใบเลื่อยจะทำให้บาดเจ็บได้

- ▶ ใช้เฉพาะใบเลื่อยที่มีคุณสมบัติตรงตามที่กำหนดไว้ในหนังสือคู่มือการใช้งานเล่มนี้เท่านั้น

- ▶ ห้ามใช้จันซัดเป็นเครื่องมือตัดในทุกกรณี

การเลือกใบเลื่อย

คำอธิบายโดยสรุปเกี่ยวกับใบเลื่อยที่แนะนำให้ใช้ ดูบทท้ายของหนังสือคู่มือการใช้งานเล่มนี้

การถอดใบเลื่อย (รูปภาพประกอบ A)

เมื่อต้องการเปลี่ยนเครื่องมือตัด ทางที่ดีที่สุด ควรวางเครื่องโดยก้มเอาด้านหัวของที่ครอบมอเตอร์ลง

- กดปุ่มล็อคแกน 3 และกดค้างไว้
- ▶ **กดปุ่มล็อคแกน 3 เมื่อใบเลื่อยหยุดนิ่งอยู่กับที่แล้วเท่านั้น** มิฉะนั้น เครื่องมือไฟฟ้าอาจชำรุดได้
- ใช้ประแจขันหกเหลี่ยม 15 ชั้นโบลท์ยึด 16 ออกโดยหมุนไปในทิศทางหมุน **⌚**
- กระดกกระบังป้องกันใบเลื่อยชนิดชักกร่นได้ 10 ไปด้านหลังและจับไว้ให้แน่น
- ถอดน็อตยึด 17 และใบเลื่อย 18 ออกจากแกนเครื่อง 20

การประกอบใบเลื่อย (รูปภาพประกอบ A)

เมื่อต้องการเปลี่ยนเครื่องมือตัด ทางที่ดีที่สุด ควรวางเครื่องโดยก้มเอาด้านหัวของที่ครอบมอเตอร์ลง

- ทำความสะอาดใบเลื่อย 18 และชิ้นส่วนยึดหนีบที่จะประกอบเข้าทั้งหมด
- กระดกกระบังป้องกันใบเลื่อยชนิดชักกร่นได้ 10 ไปด้านหลังและจับไว้ให้แน่น
- ประกอบใบเลื่อย 18 เข้ากับน็อตรอง 19 ทิศทางตัดของฟัน (ทิศทางลูกศรบนใบเลื่อย) และทิศทางหมุนของลูกศรที่แสดงบนกระบังป้องกันใบเลื่อย 14 ต้องชี้ไปทางเดียวกัน
- ประกอบน็อตยึด 17 และชิ้นโบลท์ยึด 16 เข้าโดยหมุนไปในทิศทางหมุน **⌚** สังเกตดูโหนดรอง 19 และน็อตยึด 17 อยู่ในตำแหน่งประกอบที่ถูกต้อง
- กดปุ่มล็อคแกน 3 และกดค้างไว้
- ใช้ประแจขันหกเหลี่ยม 15 ชั้นโบลท์ยึด 16 เข้าให้แน่นโดยหมุนไปในทิศทางหมุน **⌚** แรงบิดการขันอยู่ระหว่าง 6–9 Nm ซึ่งมีค่าเท่ากับการหมุนด้วยมือจนตึงบวก ¼ รอบ

การดูดฝุ่น/ซีเลียม

- ▶ **ดึงปลั๊กไฟออกจากเต้าเสียบก่อนปรับแต่งเครื่อง**
- ▶ **ฝุ่นที่ได้จากวัสดุ** เช่น เคลือบผิวที่มีสารตะกั่ว ไม่บางประเภท แร่ธาตุ และโลหะ อาจเป็นอันตรายต่อสุขภาพ การสัมผัสหรือการหายใจเอาฝุ่นเข้าไปอาจทำให้เกิดปฏิกิริยาแพ้ฝุ่น และ/หรือนำมาซึ่งโรคติดเชื้อระบบหายใจแก่ผู้ใช้เครื่องหรือผู้ที่ยืนอยู่ใกล้เคียง

ฝุ่นบางประเภท เช่น ฝุ่นไม้โอ๊ก หรือไม้บีช นับเป็นสารที่ทำให้เกิดมะเร็ง โดยเฉพาะอย่างยิ่งเมื่อผสมกับสารเติมแต่งเพื่อบำบัดไม้ (โครเมต ผลิตภัณฑ์รักษาเนื้อไม้) สำหรับวัสดุที่มีแอลเบสทอส ต้องให้ผู้เชี่ยวชาญทำงานเท่านั้น

- ใช้อุปกรณ์ดูดฝุ่นออกทุกครั้งเมื่อเป็นไปได้
- จัดสถานที่ทำงานให้มีภาวะระบายอากาศที่ดี
- ขอแนะนำให้สวมหน้ากากป้องกันการติดเชื้อที่มีระดับ-ไลกรอง P2

ปฏิบัติตามกฎข้อบังคับสำคัญอื่นๆ ที่เกี่ยวกับวัสดุชิ้นงาน ที่บังคับใช้ในประเทศของท่าน

การประกอบข้อต่อท่อดูดออก (3 601 E23 ...)**(รูปภาพประกอบ B)**

เสียบข้อต่อท่อดูดออก 21 เข้าบนช่องพ่นซึ่งประกอบ 13 จนเข้าล็อค ให้ยึดข้อต่อท่อดูดออก 21 ด้วยสกรูยึด 22 ชิกที่ท่อดูดฝุ่นขนาดเส้นผ่าศูนย์กลาง 35 มม. สามารถต่อเข้ากับข้อต่อท่อดูดออก 21

- ▶ **อย่าประกอบข้อต่อท่อออกหากไม่มีการต่อเข้ากับเครื่องดูดฝุ่นภายนอก** มิฉะนั้นช่องดูดออกอาจอุดตันได้
- ▶ **อย่าสวมถุงเก็บผงเข้ากับข้อต่อท่อดูดออก** มิฉะนั้นระบบดูดออกอาจอุดตันได้

เพื่อให้ดูดผงออกได้อย่างมีประสิทธิภาพมากที่สุด ต้องทำความสะอาดข้อต่อท่อดูดออก 21 เป็นประจำ

การดูดฝุ่นด้วยเครื่องดูดฝุ่นภายนอก (3 601 E23 ...)

ต่อท่อดูดฝุ่น เข้ากับเครื่องดูดฝุ่น (อุปกรณ์ประกอบ) คำอธิบายโดยสรุปเกี่ยวกับการต่อเข้ากับเครื่องดูดฝุ่นประเภทต่างๆ ดูบทท้ายของหนังสือคู่มือการใช้งานเล่มนี้

เครื่องนี้สามารถต่อโดยตรงเข้ากับเต้าเสียบของเครื่องดูดฝุ่นสารพัดประโยชน์ของ บอช ที่มีการควบคุมการสตาร์ทเครื่องทางไกล เครื่องดูดฝุ่นจะเริ่มทำงานโดยอัตโนมัติเมื่อเปิดเครื่อง

เครื่องดูดฝุ่นต้องมีลักษณะการใช้งานที่เหมาะสมกับประเภทวัสดุชิ้นงาน

ในกรณีดูดฝุ่นแห้งที่เป็นอันตรายต่อสุขภาพอย่างยิ่งหรืออาจก่อให้เกิดมะเร็งได้ ให้ใช้เครื่องดูดฝุ่นพิเศษ

การประกอบด้ามจับเพิ่ม (รูปภาพประกอบ C)

- ▶ **ดึงปลั๊กไฟออกจากเต้าเสียบก่อนปรับแต่งเครื่อง**

ประกอบด้ามจับเพิ่ม 23 เข้ากับกระบังป้องกันใบเลื่อย 14 ด้วยสกรู 24

การปฏิบัติงาน

วิธีการปฏิบัติงาน

- ▶ ดึงปลั๊กไฟออกจากเต้าเสียบก่อนปรับแต่งเครื่อง

การปรับความลึกการตัด (ดูภาพประกอบ D)

- ▶ ปรับความลึกการตัดให้เหมาะสมกับความหนาของชิ้นงาน
พื้นเลื่อยควรไหลยื่นออกมาทางด้านล่างของชิ้นงานน้อยกว่า
หนึ่งพื้นที่เต็ม

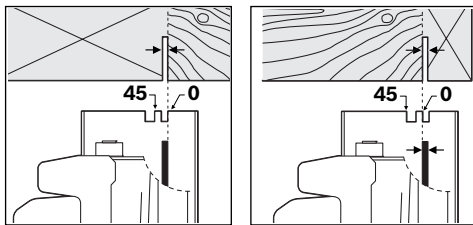
คลายน็อตปิก 25 ออก เมื่อต้องการตัดลึกน้อยกว่า ให้ดึงเครื่องเลื่อย
ออกจากแผ่นฐาน 11 เมื่อต้องการตัดลึกมากกว่า ให้กดเครื่องเลื่อย
เข้าหาแผ่นฐาน 11 ชั้นน็อตปิก 25 กลับเข้าที่ให้แน่น

การปรับมุมตัด

ทางที่ดีที่สุด ควรวางเครื่องโดยกลับเอาด้านหัวของกระบะป้องกัน
ใบเลื่อย 14 ลง

คลายน็อตปิก 6 และ 26 ออก เอียงเครื่องเลื่อยไปทางด้านข้าง ปรับ
ให้ได้ขนาดที่ต้องการบนมาตราวัด 4 ชั้นน็อตปิก 6 และ 26 กลับเข้า
ที่เดิม

เครื่องหมายตัด



เครื่องหมายตัด 0° (8) แสดงตำแหน่งของใบเลื่อยสำหรับการตัดเป็น
มุมฉาก เครื่องหมายตัด 45° (7) แสดงตำแหน่งของใบเลื่อยสำหรับการ
การตัด 45°

เพื่อให้ได้การตัดที่แม่นยำยิ่งขึ้น ให้จับเลื่อยวงเดือนเข้าหาชิ้นงาน
ดังแสดงในภาพ ทางที่ดีที่สุด ควรฝึกซ้อมการตัดก่อน

เริ่มต้นปฏิบัติงาน

- ▶ ให้สังเกตแรงดันไฟฟ้า! แรงดันไฟฟ้าจากแหล่งจ่ายไฟฟ้า
ต้องมีค่าตรงกับค่าแรงดันไฟฟ้าที่ระบุไว้บนแผ่นป้ายพิกัด
เครื่อง

การเปิด-ปิดเครื่อง

(3 601 E23 X../3 601 E23 0B./3 601 E22 X..)

เปิดเครื่องทำงานโดยในเบื้องต้นให้กดปุ่มล๊อคไม่ให้สวิทช์เปิด-ปิด
ทำงาน 2 และจากนั้นจึงกดสวิทช์เปิด-ปิด 1 และกดค้างไว้

ปิดเครื่องโดยปล่อยนิ้วจากสวิทช์เปิด-ปิด 1

หมายเหตุ: ด้วยเหตุผลด้านความปลอดภัย จึงไม่สามารถล๊อค
สวิทช์เปิด-ปิด 1 ได้ จะต้องกดสวิทช์เปิด-ปิดตลอดเวลาปฏิบัติงาน

การเปิด-ปิดเครื่อง

(3 601 E23 0C./3 601 E23 0K./

3 601 E23 0L./3 601 E22 0..)

เปิดเครื่องทำงานโดยกดสวิทช์เปิด-ปิด 1 และกดค้างไว้

ล๊อคสวิทช์เปิด-ปิด 1 ที่กดค้างไว้ โดยกดปุ่มล๊อคสวิทช์เปิด-ปิด 2

ปิดเครื่องโดยปล่อยนิ้วจากสวิทช์เปิด-ปิด 1 หรือในกรณีที่ถูกล๊อค
ด้วยปุ่มล๊อค 2 อยู่ ให้กดสวิทช์เปิด-ปิด 1 สั้นๆ และปล่อยนิ้ว

ข้อแนะนำในการทำงาน

ต้องป้องกันใบเลื่อยไม่ให้ถูกกระทบกระเทือน

เคลื่อนเครื่องอย่างสม่ำเสมอและบ่อยๆ ไปในทิศทางตัด การ
เคลื่อนเครื่องไปข้างหน้าเกินกำลังจะบั่นทอนอายุการใช้งานของ
เครื่องมือตัดและอาจทำให้เครื่องมือไฟฟ้าชำรุดได้

ประสิทธิภาพการเลื่อยและคุณภาพการตัดขึ้นอยู่กับสภาพและ
ลักษณะพื้นของใบเลื่อยเป็นหลัก ดังนั้นให้ใช้เฉพาะใบเลื่อยที่คมและ
เหมาะกับประเภทวัสดุชิ้นงานเท่านั้น

การเลื่อยไม้

หลักการเลือกไม้ได้ใบเลื่อยที่ถูกต้อง คือต้องเลือกตามประเภทของ
ไม้ คุณภาพของไม้ และต้องดูว่าต้องการตัดตามยาวหรือตามขวาง

เมื่อตัดไม้จำพวกสนตามแนวยาว จะได้เศษไม้ขีดเป็นวงยาว

ฝุ่นไม้ไก่อ และไม้บีช เป็นอันตรายต่อสุขภาพอย่างยิ่ง ดังนั้น

เมื่อทำงานต้องดูดฝุ่นออกเสมอ

การเลื่อยโดยใช้แผงกำหนดแนวขนาน (ดูภาพประกอบ E)

แผงกำหนดแนวขนาน 9 ทำให้สามารถตัดเลียบขอบชิ้นงานและตัด
เป็นท่อนยาวในขนาดเท่าๆ กันได้อย่างเที่ยงตรง

คลายน็อตปิก 5 และสอดแผงกำหนดแนวขนาน 9 ลอดผ่านแผ่นฐาน
11 ปรับความกว้างการตัดที่ต้องการโดยตั้งค่ามาตราส่วนไว้ที่

เครื่องหมายตัด 8 หรือ 7; ดูบท "เครื่องหมายตัด" ชั้นน็อตปิก 5 กลับ
เข้าที่เดิม



การเลื่อยโดยใช้แผงช่วยนำทาง (ดูภาพประกอบ F)

สำหรับการตัดชิ้นงานขนาดใหญ่หรือตัดขอบตรง ให้หนีบแผ่นกระดานหรือท่อนไม้ยาวเข้ากับชิ้นงานเพื่อใช้เป็นแผงช่วยนำทาง; ท่านสามารถเคลื่อนแผ่นฐานของเลื่อยวงเดือนเลียบไปตามแผงช่วยนำทาง

การบำรุงรักษาและการบริการ

การบำรุงรักษาและการทำความสะอาด

- ▶ **ดึงปลั๊กไฟออกจากเต้าเสียบก่อนปรับแต่งเครื่อง**
- ▶ **เพื่อให้ทำงานได้อย่างถูกต้องและปลอดภัย ต้องรักษาเครื่องและช่องระบายอากาศให้สะอาดอยู่เสมอ**

กระบังป้องกันใบเลื่อยชนิดชักมันได้ต้องเคลื่อนไหวไปมาได้อย่างอิสระและชักมันได้โดยอัตโนมัติตลอดเวลา ดังนั้นต้องรักษาบริเวณรอบๆ กระบังป้องกันใบเลื่อยชนิดชักมันให้สะอาดอยู่เสมอ เอาผงฝุ่นและเศษไม้ออกจากโดยเป่าด้วยอากาศอัดหรือใช้แปรงขัด

ใบเลื่อยที่ไม่ได้เคลือบสามารถใช้น้ำมันที่ไม่มีกรดทาบางๆ เพื่อป้องกันสนิม ต้องเช็ดน้ำมันออกก่อนใช้ใบเลื่อย มิฉะนั้นน้ำมันจะเปื้อนไม่ทำให้สกปรกได้

เศษเหลือของยางไม้และกาวบนใบเลื่อยทำให้ตัดได้ไม่ดี ดังนั้นให้ทำความสะอาดใบเลื่อยทันทีหลังใช้งาน

เครื่องมือไฟฟ้าผ่านการรวมวิธีการผลิตและตรวจสอบอย่างละเอียดถี่ถ้วนมาแล้ว ถึงกระนั้น หากเครื่องเกิดขัดข้อง ต้องส่งเครื่องให้ศูนย์บริการหลังการขายสำหรับเครื่องมือไฟฟ้า บอช ซ่อมแซม

เมื่อต้องการสอบถามและสั่งซื้ออะไหล่ กรุณาแจ้งหมายเลขสินค้า สิบหลักบนแผ่นป้ายรุ่นของเครื่องทุกครั้ง

การบริการหลังการขายและการให้คำแนะนำลูกค้า

ศูนย์บริการหลังการขายของเรายินดีตอบคำถามของท่านที่เกี่ยวกับการบำรุงรักษาและการซ่อมแซมผลิตภัณฑ์รวมทั้งเรื่องอะไหล่ ภาพขยายและข้อมูลเกี่ยวกับอะไหล่ กรุณาดูใน:

www.bosch-pt.com

แผนกให้คำปรึกษาลูกค้าของเราพร้อมให้คำแนะนำที่ดีที่สุดแก่ท่านในเรื่องการซื้อผลิตภัณฑ์ การใช้งานและการปรับแต่งผลิตภัณฑ์และอุปกรณ์ประกอบต่างๆ

ในกรณีประกัน ซ่อมแซม หรือซื้อชิ้นส่วนมาเปลี่ยน กรุณาติดต่อผู้ขายที่ได้รับแต่งตั้งเท่านั้น

ประเทศไทย

สำนักงาน

บริษัท ไรเบิร์ต บอช จำกัด
ชั้น 11 ดิโกลิเบอร์ตี สแควร์
287 ถนนสีลม
กรุงเทพฯ 10500
โทรศัพท์ +66 (0)2 / 6 31 18 79 – 18 88 (10 หมายเลข)
โทรสาร +66 (0)2 / 2 38 47 83

ผู้ประพันธ์

บริษัท ไรเบิร์ต บอช จำกัด
แผนกเครื่องมือไฟฟ้า
ตุ ปณ. 20 54
กรุงเทพฯ 10501
ประเทศไทย

ศูนย์บริการซ่อมและฝึกอบรม

ศูนย์บริการซ่อมและฝึกอบรมบอช
2869 – 2869/1 ซอยบ้านกล้วย
ถนนพระรามที่ 4 (ใกล้ทางรถไฟสายปากน้ำเก่า)
พระโขนง
กรุงเทพฯ 10110
ประเทศไทย
โทรศัพท์ +66 (0)2 / 6 71 78 00 – 4
โทรสาร +66 (0)2 / 2 49 42 96
โทรสาร +66 (0)2 / 249 5299

การกำจัดขยะ

เครื่องมือ อุปกรณ์ประกอบ และหีบห่อ ต้องนำไปแยกประเภทวัสดุเพื่อนำกลับมาใช้ใหม่โดยไม่ทำลายสภาพแวดล้อม

ขอสงวนสิทธิ์ในการเปลี่ยนแปลงโดยไม่ต้องแจ้งล่วงหน้า



Petunjuk-Petunjuk Umum untuk Perkakas Listrik

⚠ PERHATIKANLAH Bacalah semua petunjuk-petunjuk untuk keselamatan kerja dan petunjuk-petunjuk untuk penggunaan. Kesalahan dalam menjalankan petunjuk-petunjuk untuk keselamatan kerja dan petunjuk-petunjuk untuk penggunaan dapat mengakibatkan kontak listrik, kebakaran dan/atau luka-luka yang berat.

Simpanlah semua petunjuk-petunjuk untuk keselamatan kerja dan petunjuk-petunjuk lainnya untuk penggunaan di masa depan.

Kata „perkakas listrik“ yang disebutkan di dalam petunjuk-petunjuk untuk keselamatan kerja adalah sebutan untuk perkakas listrik pakai listrik jaringan (dengan kabel) dan untuk perkakas listrik pakai aki (tanpa kabel listrik).

1) Keselamatan kerja di tempat kerja

- a) **Jagalah supaya tempat kerja selalu bersih dan terang.** Tempat kerja yang tidak rapi atau tidak terang dapat mengakibatkan terjadinya kecelakaan.
- b) **Janganlah menggunakan perkakas listrik di tempat di mana dapat terjadi ledakan, di mana ada cairan, gas atau debu yang mudah terbakar.** Perkakas listrik dapat memancarkan bunga api yang lalu mengakibatkan debu atau uap terbakar.
- c) **Selama menggunakan perkakas listrik, jauhkan anak-anak dan orang-orang lain dari tempat kerja.** Jika konsentrasi terganggu, bisa jadi Anda tidak bisa mengendalikan perkakas listrik tersebut.

2) Keamanan listrik

- a) **Steker dari perkakas listrik harus cocok pada stopkontak. Janganlah sekali-kali merubah steker. Janganlah menggunakan steker perantara bersama dengan perkakas listrik yang mempunyai hubungan arde.** Steker yang tidak dirubah dan stopkontak yang cocok mengurangi bahaya terjadinya kontak listrik.
- b) **Jagalah supaya badan Anda tidak bersentuhan dengan permukaan yang mempunyai hubungan arde, misalnya pipa-pipa, radiator pemanas ruangan,**

kompur listrik dan lemari es. Ada risiko besar terjadi kontak listrik, jika badan Anda mempunyai hubungan arde.

- c) **Jagalah supaya perkakas listrik tidak kena hujan atau menjadi basah.** Air yang masuk ke dalam perkakas listrik menambah risiko terjadinya kontak listrik.
- d) **Janganlah menyalah gunakan kabel listrik untuk mengangkat dan menggantungkan perkakas listrik atau untuk menarik steker dari stopkontak. Jagalah supaya kabel listrik tidak kena panas, minyak, pinggiran yang tajam atau bagian-bagian perkakas yang bergerak.** Kabel listrik yang rusak atau tersangkut menambah risiko terjadinya kontak listrik.
- e) **Jika Anda menggunakan perkakas listrik di luar gedung, gunakanlah hanya kabel sambungan yang juga cocok untuk pemakaian di luar gedung.** Penggunaan kabel sambungan yang cocok untuk pemakaian di luar gedung mengurangi risiko terjadinya kontak listrik.
- f) **Jika penggunaan perkakas listrik di tempat yang basah tidak bisa dihindarkan, gunakanlah sakelar pengaman terhadap arus penyimpangan.** Penggunaan sakelar pengaman terhadap arus penyimpangan mengurangi risiko terjadinya kontak listrik.

3) Keselamatan kerja

- a) **Berhati-hatilah selalu, perhatikanlah apa yang Anda kerjakan dan bekerjalah dengan seksama jika menggunakan perkakas listrik. Janganlah menggunakan perkakas listrik, jika Anda capai atau berada di bawah pengaruh narkoba, minuman keras atau obat.** Jika Anda sekejap mata saja tidak berhati-hati sewaktu menggunakan perkakas listrik, dapat terjadi luka-luka berat.
- b) **Pakailah pakaian dan sarana pelindung dan pakailah selalu kaca mata pelindung.** Dengan memakai pakaian dan sarana pelindung, misalnya kedok anti debu, sepatu tertutup yang tidak licin, helm pelindung atau pemalut telinga sesuai dengan pekerjaan yang dilakukan dengan perkakas listrik, bahaya terjadinya luka-luka dapat dikurangi.

- c) Jagalah supaya perkakas listrik tidak dihidupkan secara tidak disengaja. Perhatikan bahwa perkakas listrik dalam penyetelan mati, jika steker disambungkan pada pengadaan listrik dan/atau aki, jika perkakas listrik diangkat atau dibawa.** Jika selama mengangkat perkakas listrik jari Anda berada pada tombol untuk menghidupkan dan mematikan atau perkakas listrik yang dalam penyetelan hidup disambungkan pada listrik, dapat terjadi kecelakaan.
- d) Lepaskan semua perkakas-perkakas penyetelan atau kunci-kunci pas sebelum perkakas listrik dihidupkan.** Perkakas atau kunci yang berada di dalam bagian yang berputar dapat mengakibatkan terjadinya luka-luka.
- e) Aturkan badan sedemikian sehingga Anda bisa bekerja dengan aman. Berdirilah secara mantap dan jagalah selalu keseimbangan.** Dengan demikian Anda bisa mengendalikan perkakas listrik dengan lebih baik, jika terjadi sesuatu dengan tiba-tiba.
- f) Pakailah pakaian yang cocok. Janganlah memakai pakaian yang longgar atau perhiasan. Jagalah supaya rambut, pakaian dan sarung tangan tidak masuk dalam bagian-bagian perkakas yang bergerak.** Pakaian yang longgar, rambut panjang atau perhiasan dapat tersangkut dalam bagian perkakas yang bergerak.
- g) Jika ada kemungkinan untuk memasang sarana penghisapan dan penampungan debu, perhatikan bahwa sarana-sarana ini telah dipasangkan dan digunakan dengan betul.** Penggunaan sarana penghisapan bisa mengurangi bahaya yang disebabkan debu.
- 4) Penggunaan dan penanganan perkakas listrik dengan seksama**
- a) Janganlah membebankan perkakas listrik terlalu berat. Gunakan selalu perkakas listrik yang cocok untuk pekerjaan yang dilakukan.** Dengan perkakas listrik yang cocok Anda bekerja lebih baik dan lebih aman dalam batas-batas kemampuan yang ditentukan.
- b) Janganlah menggunakan perkakas listrik yang tombolnya rusak.** Perkakas listrik yang tidak bisa dihidupkan atau dimatikan, berbahaya dan harus direparasikan.
- c) Tariklah steker dari stopkontak dan/atau keluarkan aki, sebelum Anda melakukan penyetelan pada perkakas listrik, mengganti alat-alat kerja atau sebelum menyimpan perkakas listrik.** Tindakan keselamatan kerja ini mengurangi bahaya perkakas listrik hidup secara tidak disengaja.
- d) Simpanlah perkakas listrik yang tidak digunakan di luar jangkauan anak-anak. Janganlah mengizinkan orang-orang yang tidak mengenal perkakas listrik ini atau yang belum membaca petunjuk-petunjuk ini, menggunakan perkakas listrik ini.** Perkakas listrik bisa menjadi berbahaya, jika digunakan oleh orang-orang yang tidak mengenalnya.
- e) Rawatlah perkakas listrik dengan seksama. Periksa, apakah bagian-bagian perkakas listrik yang bergerak berfungsi dengan baik dan tidak tersangkut, apakah ada bagian-bagian yang patah atau rusak sedemikian, sehingga dapat mempengaruhi jalannya perkakas listrik. Biarkan bagian-bagian perkakas yang rusak direparasikan, sebelum Anda mulai menggunakan perkakas listrik.** Banyak kecelakaan terjadi karena perkakas listrik tidak dirawat dengan seksama.
- f) Perhatikan supaya alat-alat pemotong selalu tajam dan bersih.** Alat-alat pemotong dengan mata-mata pemotong yang tajam dan dirawat dengan seksama tidak mudah tersangkut dan lebih mudah dikendalikan.
- g) Gunakanlah semua perkakas listrik, aksesoris, alat-alat kerja dsb. sesuai dengan petunjuk-petunjuk. Perhatikan syarat-syarat kerja dan macam pekerjaan yang dilakukan.** Penggunaan perkakas listrik untuk macam pekerjaan yang tidak cocok dengan kegunaannya bisa mengakibatkan keadaan yang berbahaya.

5) Servis

- a) **Biarkan perkakas listrik Anda direparasikan hanya oleh orang-orang ahli yang berpengalaman dan hanya dengan menggunakan suku cadang yang asli.**

Dengan demikian terjamin keselamatan kerja dengan perkakas listrik ini secara sinambung.

Petunjuk-petunjuk khusus untuk perkakas-perkakas tertentu

- ▶ **BAHAYA: Perhatikanlah supaya tangan-tangan Anda tidak berada di medan kerja dan janganlah menyentuh mata gergaji. Peganglah gagang tambahan atau rumah motor dengan tangan lainnya.** Jika kedua belah tangan memegang mesin gergaji bundar, tangan-tangan tidak bisa terluka oleh mata gergaji.
- ▶ **Janganlah menjangkau di bawah benda yang dikerjakan.** Kap pelindung tidak bisa melindungi Anda terhadap mata gergaji di bawah benda yang dikerjakan.
- ▶ **Sesuaikanlah kedalaman pemotongan dengan ketebalan benda yang dikerjakan.** Mata gergaji hanya boleh melampaui bagian bawah dari benda yang dikerjakan maksimal setinggi satu gigi.
- ▶ **Janganlah sekali-kali memegang benda yang dikerjakan di dalam tangan atau menahannya dengan kaki. Mantapkan benda yang dikerjakan pada pegangan yang stabil.** Benda yang dikerjakan mutlak harus dimantapkan dengan betul supaya perkakas listrik tidak terkena pada badan kita, mata gergaji tidak tersangkut atau supaya kita bisa mengendalikan perkakas listrik.
- ▶ **Peganglah perkakas listrik hanya pada pegangan yang terisolir, jika Anda melakukan pekerjaan di mana alat kerjanya bisa terkena pada saluran listrik yang tidak terlihat atau kabelnya sendiri.** Sentuhan pada kabel yang bertegangan dapat mengakibatkan bagian-bagian logam dari perkakas listrik juga bertegangan dan lalu mengakibatkan kontak listrik.
- ▶ **Pada pemotongan memanjang, gunakanlah selalu mistar atau sisi pemandu yang lurus.** Ini membuat pemotongan yang lebih seksama dan menghindarkan mata gergaji terjepit.
- ▶ **Gunakanlah selalu mata gergaji-mata gergaji dengan ukuran dan lubang penahan yang cocok (misalnya berbentuk bintang atau bundar).** Mata gergaji-mata gergaji yang tidak cocok dengan bagian-bagian mesin gergaji menyebabkan getaran dan membuat kita tidak bisa mengendalikan mesin gergaji.
- ▶ **Janganlah sekali-kali menggunakan ring plat atau baut mata gergaji yang rusak atau yang tidak cocok.** Ring plat-ring plat dan baut-baut mata gergaji dirancang khusus bagi mesin gergaji demi daya yang optimal dan keselamatan kerja.
- ▶ **Sebab-sebab terjadinya bantingan dan cara menghindarkannya:**
 - Bantingan adalah reaksi yang terjadi tiba-tiba karena mata gergaji tersangkut, terjepit atau dipasang dalam kedudukan yang tidak tepat sehingga mesin gergaji tidak bisa dikendalikan dan terlompat dari benda yang dikerjakan ke arah orang yang bekerja dengan mesin.
 - Jika mata gergaji tersangkut atau terjepit dalam celah pemotongan yang menyempit, mata gergaji memblok dan daya motor membanting mesin gergaji ke arah orang yang bekerja dengan mesin.
 - Jika mata gergaji selama pemotongan dipasang terbalik atau tidak sejajar dengan celah pemotongan, maka punggung gigi bisa tersangkut pada permukaan dari benda yang dikerjakan, sehingga mata gergaji ke luar dari celah pemotongan dan mesin gergaji melompat ke arah orang yang bekerja dengan mesin.
- ▶ **Bantingan terjadi karena mesin gergaji digunakan salah atau kurang tepat. Bantingan bisa dihindarkan dengan upaya-upaya keselamatan kerja sebagai berikut.**
- ▶ **Peganglah mesin gergaji dengan kedua belah tangan dan aturkan lengan Anda sedemikian sehingga Anda bisa menahan bantingan yang mungkin terjadi. Perhatikanlah supaya Anda berada di sebelah mata gergaji, jagalah supaya mesin tidak menghadap ke badan**

Anda. Jika terjadi bantingan, mesin gergaji bisa melompat ke belakang, akan tetapi orang yang bekerja dengan mesin ini bisa mengendalikan mesin jika sebelumnya telah dilakukan upaya-upaya untuk menghindarkannya.

- ▶ **Jika mata gergaji terjepit atau Anda menghentikan pekerjaan dengan mesin gergaji, matikan mesin gergaji dan tahankannya di dalam benda yang dikerjakan sampai mata gergaji berhenti memutar. Janganlah sekali-kali mencoba untuk menarik mesin dari benda yang dikerjakan atau menariknya ke belakang selama mata gergaji masih berputar, karena bisa terjadi bantingan.** Periksaalah mengapa mata gergaji terjepit dan betulkan.
- ▶ **Jika Anda hendak menghidupkan kembali mesin yang berada di dalam benda yang dikerjakan, upayakan supaya mata gergaji berada di tengah dari celah pemotongan dan perhatikan supaya gigi mata gergaji tidak tersangkut dalam benda yang dikerjakan.** Jika mata gergaji terjepit dan mesin dihidupkan kembali, mata gergaji bisa melompat ke luar dari benda yang dikerjakan atau mengakibatkan bantingan.
- ▶ **Pelat-pelat yang besar harus ditopangkan supaya risiko terjadinya bantingan karena mata gergaji yang terjepit bisa dikurangi.** Pelat-pelat yang besar bisa melengkung karena beratnya sendiri. Pelat-pelat harus ditopangkan pada kedua sisi, baik di dekat celah pemotongan maupun di pinggiran.
- ▶ **Janganlah menggunakan mata gergaji yang tumpul atau cacat.** Mata gergaji dengan gigi-gigi yang tumpul atau kuak yang tidak tepat mengakibatkan celah pemotongan terlalu sempit sehingga terjadi gesekan yang terlalu tinggi, mata gergaji bisa terjepit dan terjadi bantingan.
- ▶ **Sebelum mulai dengan pekerjaan menggergaji, kencangkan semua penyetelan kedalaman pemotongan dan sudut pemotongan.** Jika selama pekerjaan menggergaji penyetelan berubah, mata gergaji bisa terjepit dan bisa terjadi bantingan.

- ▶ **Anda harus sangat berhati-hati jika melakukan „pemotongan ke dalam“ di dinding yang sudah jadi atau di bagian lainnya yang tidak terlihat.** Mata gergaji yang dimasukkan ke dalam bahan bisa memblok pada benda-benda yang tidak terlihat dan mengakibatkan bantingan.
- ▶ **Setiap kali sebelum menggunakan mesin gergaji, periksa apakah kap pelindung bawah bisa menutup dengan betul. Janganlah menggunakan mesin gergaji jika kap pelindung bawah tidak bisa bergerak dengan bebas dan tidak segera menutup. Janganlah sekali-kali menjepit atau mengikat kap pelindung bawah dalam posisi terbuka.** Jika mesin gergaji terjatuh tanpa disengaja ke lantai, kap pelindung bawah bisa melengkung. Buka kap pelindung dengan tuas penarikan dan perhatikan supaya kap pelindung bisa bergerak dengan bebas dan pada setiap penyetelan sudut pemotongan dan kedalaman pemotongan tidak terkena pada mata gergaji atau bagian-bagian yang lain dari mesin gergaji.
- ▶ **Periksa apakah fer dari kap pelindung bawah berfungsi dengan baik. Reparasi mesin gergaji sebelum menggunakannya, jika kap pelindung bawah dan fer tidak berfungsi dengan mulus.** Bagian-bagian yang rusak, pencemaran berupa damar, lem yang melengket atau serbuk bisa mengakibatkan kap pelindung bawah menjadi lamban.
- ▶ **Bukakan kap pelindung bawah dengan tangan hanya jika Anda melakukan pemotongan tertentu seperti „pemotongan ke dalam dan pemotongan sudut“. Bukakan kap pelindung bawah dengan tuas penarikan dan lepaskan tuas segera setelah mata gergaji masuk ke dalam benda yang dikerjakan.** Pada semua cara penggergajian lainnya, kap pelindung bawah harus berfungsi secara otomatis.
- ▶ **Janganlah meletakkan mesin gergaji pada meja atau lantai jika mata gergaji tidak tertutup oleh kap pelindung bawah.** Mata gergaji yang berputar menggerakkan mesin gergaji dalam arah yang berlawanan dengan arah pemotongan dan jika tidak terlindung memotong semua bahan yang berdekatan. Perhatikanlah bahwa mesin gergaji tidak langsung berhenti.

- ▶ **Janganlah memasukkan tangan ke dalam saluran serbuk.** Anda bisa terluka oleh bagian-bagian yang berputar.
- ▶ **Janganlah melakukan pekerjaan dari bawah.** Anda tidak bisa mengendalikan mesin gergaji jika melakukan pekerjaan dari bawah.
- ▶ **Gunakanlah alat detektor logam yang cocok untuk mencari kabel dan pipa yang tidak terlihat atau hubungi perusahaan pengadaan setempat.** Sentuhan dengan kabel-kabel listrik dapat mengakibatkan api dan kontak listrik. Pipa gas yang dirusak dapat mengakibatkan ledakan. Pipa air yang dirusak mengakibatkan kerusakan barang-barang atau dapat mengakibatkan kontak listrik.
- ▶ **Janganlah menggunakan perkakas listrik ini secara stasioner sebagai gergaji meja.** Perkakas listrik ini tidak cocok untuk penggunaan dengan meja gergaji.
- ▶ **Janganlah menggunakan mata gergaji dari baja cepat (High Speed Steel).** Mata gergaji dari bahan ini mudah patah.
- ▶ **Janganlah menggergaji logam besi-logam besi.** Serbuk yang membara bisa menyulut penghisap debu.
- ▶ **Selama digunakan, peganglah perkakas listrik dengan kedua belah tangan dan perhatikanlah supaya Anda berdiri secara teguh.** Perkakas listrik bisa dikendalikan lebih baik jika dipegang dengan kedua belah tangan.
- ▶ **Usahakan supaya benda yang dikerjakan tidak goyang.** Benda yang ditahan dalam alat pemegang atau bais lebih mantap daripada benda yang dipegang dengan tangan.
- ▶ **Sebelum meletakkan perkakas listrik, tunggulah sampai perkakas berhenti memutar.** Alat kerja bisa tersangkut dan membuat perkakas listrik tidak bisa dikendalikan.
- ▶ **Janganlah menggunakan perkakas listrik, jika kabelnya rusak. Janganlah menyentuh kabel yang rusak dan tariklah steker dari stopkontak, jika kabel menjadi rusak selama penggunaan perkakas listrik.** Kabel yang rusak membuat risiko terjadinya kontak listrik menjadi lebih besar.

Penjelasan tentang cara berfungsi



Bacalah semua petunjuk-petunjuk untuk keselamatan kerja dan petunjuk-petunjuk untuk penggunaan.

Kesalahan dalam menjalankan petunjuk-petunjuk untuk keselamatan kerja dan petunjuk-petunjuk untuk penggunaan dapat mengakibatkan kontak listrik, kebakaran dan/atau luka-luka yang berat. Bukalah halaman lipatan dengan gambar dari perkakas dan biarkan halaman ini terbuka selama Anda membaca petunjuk-petunjuk untuk penggunaan.

Penggunaan perkakas listrik

Perkakas listrik ini cocok untuk mengerjakan pemotongan memanjang dan melintang dengan garis pemotongan tegak lurus dan serong dalam kayu dengan ketentuan harus diletakkan secara langsung di atas permukaan benda yang dikerjakan. Dengan mata gergaji yang khusus, perkakas listrik juga bisa digunakan untuk menggergaji pelat logam non besi yang tipis, misalnya profil-profil.

Janganlah menggunakan perkakas listrik untuk mengerjakan logam besi-logam besi.

Bagian-bagian pada gambar

Nomor-nomor dari bagian-bagian perkakas pada gambar sesuai dengan gambar perkakas listrik pada halaman bergambar.

- 1 Tombol untuk menghidupkan dan mematikan
- 2 Pengunci penghidupan kembali untuk tombol untuk menghidupkan dan mematikan (3 601 E23 X../3 601 E23 0B./ 3 601 E22 X..)
- 2 Tombol pengunci untuk tombol untuk menghidupkan dan mematikan mesin (3 601 E23 0C./3 601 E23 0K./ 3 601 E23 0L./3 601 E22 0..)
- 3 Tombol penahan poros kerja
- 4 Skala sudut potong
- 5 Baut kupu-kupu untuk mistar sejajar

- | | |
|--|--|
| <p>6 Baut kupu-kupu untuk penyetelan pendahuluan sudut potong</p> <p>7 Tanda untuk pemotongan 45°</p> <p>8 Tanda untuk pemotongan 0°</p> <p>9 Mistar sejajar</p> <p>10 Kap pelindung yang bisa bergerak</p> <p>11 Pelat dasar</p> <p>12 Tuas untuk penyetelan kap pelindung yang bisa bergerak</p> <p>13 Saluran serbuk(3 601 E23 ...)</p> <p>14 Kap pelindung</p> <p>15 Kunci mur dalam</p> <p>16 Baut pemegang dengan ring plat</p> <p>17 Flens pemegang</p> <p>18 Mata gergaji untuk mesin gergaji bundar*</p> | <p>19 Flens untuk poros kerja</p> <p>20 Sumbu penggerak</p> <p>21 Soket pas untuk penghisapan debu (3 601 E23 ...)*</p> <p>22 Baut untuk memasang soket pas untuk penghisapan debu(3 601 E23 ...)*</p> <p>23 Gagang tambahan*</p> <p>24 Baut untuk gagang tambahan*</p> <p>25 Baut kupu-kupu untuk penyetelan pendahuluan kedalaman pemotongan</p> <p>26 Baut kupu-kupu untuk penyetelan pendahuluan sudut potong</p> <p>27 Klamer*</p> <p>*Aksesori yang ada dalam gambar atau yang dijelaskan tidak termasuk dalam mesin standar yang dipasok.</p> |
|--|--|

Data teknis

Mesin tangan gergaji bundar	GKS ... Professional	190	190	190	165
Nomor model	3 601 ...	E23 0C. E23 0L. E23 0K.	E23 0B.	E23 X4.	E22 0K. E22 X4.
Masukan nominal	W	1050	1050	1050	1050
Kecepatan putaran tanpa beban	min ⁻¹	4800	4800	4800	5000
Kedalaman pemotongan maks.					
– Pada sudut potong 0°	mm	66	66	66	55
– Pada sudut potong 45°	mm	46	46	46	36
Penguncian poros		●	●	●	●
Ukuran pelat dasar	mm	130 x 260	130 x 260	130 x 260	130 x 240
Diameter mata gergaji maks.	"	7½	7½	7½	6½
Diameter mata gergaji min.	"	7¼	7¼	7¼	6¼
Ketebalan daun perkakas maks.	mm	1,6	1,6	1,6	1,6
Garis tengah lubang	mm	20	19	20	20
Berat sesuai dengan EPTA- Procedure 01/2003	kg	3,8	3,8	3,8	3,6
Klasifikasi keamanan		□ / II	□ / II	□ / II	□ / II

Data-data berlaku untuk tegangan nominal [U] 230/240 V. Pada tegangan yang lebih rendah dan pada model khusus mancanegara data-data ini bisa berlainan.

Perhatikanlah nomor model perkakas listrik Anda yang tercantum pada label tipe mesin. Nama dagang dari beberapa perkakas listrik bisa berbeda.

Cara memasang

Memasang/mengganti mata gergaji untuk mesin gergaji bundar

- ▶ **Sebelum mulai dengan pekerjaan pada perkakas listrik, tariklah steker dari stopkontak.**
- ▶ **Pakailah sarung tangan pelindung pada waktu memasang mata gergaji.** Persentuhan dengan mata gergaji bisa mengakibatkan luka-luka.
- ▶ **Gunakanlah hanya mata gergaji-mata gergaji yang sesuai dengan data-data yang tercantum di dalam petunjuk-petunjuk ini.**
- ▶ **Janganlah sekali-kali menggunakan mata gerinda sebagai alat kerja mesin gergaji ini.**

Memilih mata gergaji

Satu ikhtisar dari mata gergaji-mata gergaji yang diizinkan ada di bagian akhir dari petunjuk-petunjuk ini.

Melepaskan mata gergaji (lihat gambar A)

Untuk mengganti alat kerja, sebaiknya perkakas listrik diletakkan pada bagian depan dari rumah motor.

- Tekan tombol penahan poros kerja **3** dan biarkan tombol ini tertekan.
- ▶ **Tombol penahan poros kerja 3 hanya boleh ditekan jika sumbu penggerak tidak berputar.** Jika tidak, perkakas listrik bisa menjadi rusak.
- Putarkan dengan kunci mur dalam **15** baut pemegang **16** dalam arah **⌚** sampai ke luar.
- Balikkan kap pelindung yang bisa bergerak **10** dan tahan.
- Lepaskan flens pemegang **17** dan mata gergaji untuk mesin gergaji bundar **18** dari sumbu penggerak **20**.

Memasang mata gergaji (lihat gambar A)

Untuk mengganti alat kerja, sebaiknya perkakas listrik diletakkan pada bagian depan dari rumah motor.

- Bersihkan mata gergaji **18** dan semua jepitan dan bagian-bagian jepitan yang akan dipasangkan.
- Balikkan kap pelindung yang bisa bergerak **10** dan tahan.
- Pasangkan mata gergaji **18** pada flens untuk poros kerja **19**. Arah pemotongan dari gigi-gigi (arah tanda panah pada mata gergaji) dan tanda arah putaran pada kap pelindung **14** harus saling cocok.
- Pasangkan flens pemegang **17** dan putarkan masuk baut pemegang **16** dalam arah **⌚**. Perhatikanlah supaya flens untuk poros kerja **19** dan flens pemegang **17** dipasangkan dalam kedudukan yang betul.
- Tekan tombol penahan poros kerja **3** dan biarkan tombol ini tertekan.
- Dengan menggunakan kunci mur dalam **15** baut pemegang **16** dikencangkan dengan cara memutarkannya dalam arah putaran **⌚**. Sebaiknya momen kunci sebesar 6–9 Nm, sama dengan penguncian sekuat tangan ditambah $\frac{1}{4}$ putaran.

Penghisapan debu/serbuk

- ▶ **Sebelum mulai dengan pekerjaan pada perkakas listrik, tariklah steker dari stopkontak.**
- ▶ Debu dari bahan-bahan seperti misalnya cat yang mengandung timbel (timah hitam), beberapa jenis kayu, bahan mineral dan logam bisa berbahaya bagi kesehatan. Menyentuh atau menghirup debu-debu ini bisa mengakibatkan reaksi alergi dan/atau penyakit saluran pernafasan dari orang yang menggunakan mesin atau orang yang berada di dekatnya. Beberapa debu tertentu seperti misalnya debu kayu pohon quercus atau pohon fagus silvatica dianggap bisa mengakibatkan penyakit kanker, terutama dalam campuran dengan bahan-bahan tambahan untuk pengolahan kayu (kromat, obat pengawet kayu). Bahan-bahan yang mengandung asbes hanya boleh dikerjakan oleh orang-orang yang ahli.

- Gunakanlah sedapat mungkin sarana penghisap debu.
- Perhatikanlah supaya ada pertukaran udara di tempat kerja.
- Kami anjurkan supaya Anda memakai kedok anti debu dengan saringan (filter) kelas P2.

Taatilah peraturan-peraturan untuk bahan-bahan yang dikerjakan yang berlaku di negara Anda.

Memasang soket pas untuk penghisapan debu (3 601 E23 ...) (lihat gambar B)

Pasangkan soket pas untuk penghisapan debu **21** pada saluran serbuk **13** sampai mengancing. Selain itu soket pas untuk penghisapan debu **21** dikencangkan dengan baut **22**.

Pada soket pas untuk penghisapan debu **21** bisa disambungkan satu slang penghisapan dengan diameter sebesar 35 mm.

- ▶ **Soket pas untuk penghisapan debu selalu harus dipasangkan bersama dengan satu sarana penghisapan.** Jika tidak demikian, saluran penghisapan bisa tersumbat.
- ▶ **Pada soket pas untuk penghisapan debu tidak boleh dipasangkan satu kantong debu.** Ini bisa menyebabkan sistem penghisapan tersumbat.

Untuk menjamin penghisapan yang paling optimal, soket pas untuk penghisapan debu **21** harus dibersihkan secara berkala.

Penghisapan luar dengan bantuan sarana (3 601 E23 ...)

Sambungkan slang penghisapan pada satu mesin penghisap (aksesori). Satu ikhtisar tentang penyambungan pada berbagai mesin penghisap ada pada bagian akhir dari petunjuk-petunjuk ini.

Perkakas listrik ini bisa langsung disambungkan pada steker dari alat penghisap serba guna dari Bosch dengan telestartotomatik. Jika perkakas listrik dihidupkan, alat penghisap ikut hidup secara otomatis.

Mesin penghisap debu harus cocok untuk menghisap bahan yang dikerjakan.

Gunakanlah mesin penghisap khusus jika debu yang terjadi sangat berbahaya bagi kesehatan, bisa mengakibatkan penyakit kanker atau sangat kering.

Memasang gagang tambahan (lihat gambar C)

- ▶ **Sebelum mulai dengan pekerjaan pada perkakas listrik, tariklah steker dari stopkontak.**

Pasangkan gagang tambahan **23** dengan baut **24** pada kap pelindung **14**.

Penggunaan

Macam penggunaan

- ▶ **Sebelum mulai dengan pekerjaan pada perkakas listrik, tariklah steker dari stopkontak.**

Menyetel kedalaman pemotongan (lihat gambar D)

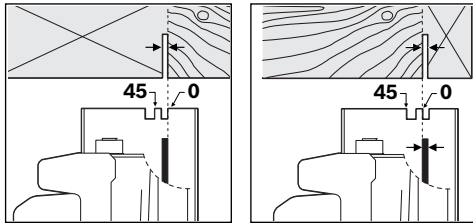
- ▶ **Sesuaikanlah kedalaman pemotongan dengan ketebalan benda yang dikerjakan.** Mata gergaji hanya boleh melampaui bagian bawah dari benda yang dikerjakan maksimal setinggi satu gigi.

Kendorkan baut kupu-kupu **25**. Untuk kedalaman pemotongan yang kurang dalam, tarikkan mata gergaji menjauh dari pelat dasar **11**, untuk kedalaman pemotongan yang lebih dalam, tekankan mata gergaji ke arah pelat dasar **11**. Kencangkan kembali baut kupu-kupu **25**.

Menyetel sudut pemotongan

Perkakas listrik sebaiknya diletakkan pada bagian depan dari kap pelindung **14**.

Lepaskan baut-baut kupu-kupu **6** dan **26**. Olenkan mesin gergaji. Setelkan sudut potong yang diperlukan pada skala **4**. Kencangkan kembali baut-baut kupu-kupu **6** dan **26**.

Tanda-tanda pemotongan

Tanda pemotongan 0° (**8**) menunjukkan posisi mata gergaji pada pemotongan dengan sudut siku. Tanda pemotongan 45° (**7**) menunjukkan posisi mata gergaji pada pemotongan dengan sudut 45°.

Untuk melakukan pemotongan yang teliti, dekatkan mesin gergaji bundar pada benda yang dikerjakan seperti terlihat pada gambar. Sebaiknya dilakukan uji coba pemotongan dahulu.

Cara penggunaan

- ▶ **Perhatikan tegangan jaringan listrik!**
Tegangan jaringan listrik harus sesuai dengan tegangan listrik yang tercantum pada label tipe perkakas listrik.

**Menghidupkan/mematikan perkakas listrik
(3 601 E23 X../3 601 E23 0B./3 601 E22 X..)**

Untuk **menghidupkan** perkakas listrik, gerakkan **dahulu** pengunci penghidupan kembali **2** dan **setelah itu** tekan tombol untuk menghidupkan dan mematikan **1** dan tahan tekanan.

Untuk **mematikan** perkakas listrik, lepaskan tombol untuk menghidupkan dan mematikan **1**.

Petunjuk: Berdasarkan alasan keselamatan kerja, tombol untuk menghidupkan dan mematikan **1** tidak bisa dikuncikan, melainkan selama penggunaan perkakas, tombol ini harus ditekan terus.

**Menghidupkan/mematikan perkakas listrik
(3 601 E23 0C./3 601 E23 0K./
3 601 E23 0L./3 601 E22 0..)**

Untuk **menghidupkan**, tekan tombol untuk menghidupkan dan mematikan **1** dan tahan tekanan.

Untuk **mengunci** tombol untuk menghidupkan dan mematikan **1** yang tertekan, tekan tombol pengunci **2**.

Untuk **mematikan**, lepaskan tombol untuk menghidupkan dan mematikan **1** atau jika dikunci dengan tombol pengunci **2**, tekan sebentar tombol **1** dan lepaskan.

Petunjuk-petunjuk untuk pemakaian

Lindungilah mata gergaji terhadap sengkolan dan benturan.

Gerakkan perkakas listrik secara rata dan dengan dorongan ringan dalam arah pemotongan.

Tekanan maju yang terlalu kuat membuat alat kerja-alat kerja cepat aus dan bisa merusakkan perkakas listrik.

Daya pemotongan dan hasil kerja terutama tergantung dari keadaan dan bentuk gigi dari mata gergaji. Karena itu gunakanlah hanya mata gergaji-mata gergaji yang tajam dan yang cocok untuk bahan yang akan dikerjakan.

Menggergaji kayu

Pemilihan mata gergaji yang cocok didasarkan pada macam kayu, mutu kayu dan macam pemotongan, apakah memanjang atau melintang.

Pada pemotongan memanjang pada kayu cemara picea terjadi bram yang panjang dan berbentuk spiral.

Debu kayu pohon fagus silvatica dan quercus sangat berbahaya bagi kesehatan, oleh sebab itu bekerjalah selalu dengan penghisapan debu.

**Menggergaji dengan mistar sejajar
(lihat gambar E)**

Dengan mistar sejajar **9** bisa dibuat pemotongan seksama yang sejajar dengan tepi dari benda yang dikerjakan atau pemotongan sejajar yang sama lebar.

Lepaskan baut kupu-kupu **5** dan geserkan skala dari mistar sejajar **9** dalam pegangan di pelat dasar **11**. Setelkan lebar pemotongan yang diperlukan sebagai nilai skala pada tanda pemotongan **8** atau **7**, lihat bab „Tanda-tanda pemotongan“. Kencangkan kembali baut kupu-kupu **5**.

Menggergaji dengan bantuan benda sebagai mistar (lihat gambar F)

Untuk memotong benda-benda yang besar atau memotong tepian yang lurus, Anda bisa memasang satu papan atau les sebagai benda bantuan pada benda yang akan dikerjakan dan pelat dasar dari mesin gergaji digerakkan sepanjang benda bantuan.

Rawatan dan servis

Rawatan dan kebersihan

- ▶ **Sebelum mulai dengan pekerjaan pada perkakas listrik, tariklah steker dari stopkontak.**
- ▶ **Perkakas listrik dan lubang ventilasi harus selalu dibersihkan supaya perkakas bisa digunakan dengan baik dan aman.**

Kap pelindung yang bisa bergerak harus selalu bisa bergerak secara bebas dan harus bisa menutup sendiri. Karena itu perhatikanlah supaya bagian mesin di dekat kap pelindung yang bisa bergerak selalu bersih. Debu atau serbuk dihilangkan dengan tiupan dengan udara bertekanan atau dengan memakai kuas.

Mata gergaji yang tidak dilapisi bisa dilindungi terhadap karatan dengan mengolesinya dengan minyak yang tidak mengandung keasaman. Sebelum menggunakan mesin gergaji, bersihkan mata gergaji dari minyak karena kayu bisa tercemar karenanya.

Sisa-sisa damar dan lem pada mata gergaji membuat hasil pemotongan tidak bagus. Karena itu mata gergaji setelah penggunaan harus langsung dibersihkan.

Jika pada suatu waktu perkakas listrik ini tidak bisa berjalan meskipun telah diproduksi dan diperiksa dengan seksama, maka reparasinya harus dilakukan oleh Service Center perkakas listrik Bosch yang resmi.

Jika Anda hendak menanyakan sesuatu atau memesan suku cadang, sebutkan selalu nomor model yang terdiri dari 10 angka dan tercantum pada label tipe perkakas.

Layanan pasca beli dan konsultasi bagi pelanggan

Layanan pasca beli Bosch menjawab semua pertanyaan Anda tentang reparasi dan perawatan serta tentang suku cadang produk ini. Gambar tiga dimensi dan informasi tentang suku cadang bisa Anda lihat di:

www.bosch-pt.com

Tim konsultan Bosch dengan senang hati membantu Anda pada pembelian, penggunaan dan penyetulan produk ini dan aksesorinya.

Indonesia

PT. Multi Tehaka
Kawasan Industri Pulogadung
Jalan Rawa Gelam III No. 2
Jakarta 13930
Indonesia
Tel.: +62 (21) 4 60 12 28
Fax: +62 (21) 46 82 68 23
E-Mail: sales@multitehaka.co.id
www.multitehaka.co.id

Cara membuang

Perkakas listrik, aksesoris dan kemasan sebaiknya didaur ulang sesuai dengan upaya untuk melindungi lingkungan hidup.

Perubahan adalah hak Bosch.

Cảnh báo tổng quát cách sử dụng an toàn dụng cụ điện cầm tay

⚠ CẢNH BÁO Đọc kỹ mọi cảnh báo an toàn và hướng dẫn. Không tuân thủ mọi cảnh báo và hướng dẫn được liệt kê dưới đây có thể bị điện giật, gây cháy và/hoặc bị thương tật nghiêm trọng.

Hãy giữ tất cả tài liệu về cảnh báo và hướng dẫn để tham khảo về sau.

Thuật ngữ “dụng cụ điện cầm tay” trong phần cảnh báo là đề cập đến sự sử dụng dụng cụ điện cầm tay của bạn, loại sử dụng điện nguồn (có dây cắm điện) hay vận hành bằng pin (không dây cắm điện).

1) Khu vực làm việc an toàn

- Giữ nơi làm việc sạch và đủ ánh sáng. Nơi làm việc bừa bộn và tối tăm dễ gây ra tai nạn.
- Không vận hành dụng cụ điện cầm tay trong môi trường dễ gây nổ, chẳng hạn như nơi có chất lỏng dễ cháy, khí đốt hay rác. Dụng cụ điện cầm tay tạo ra các tia lửa nên có thể làm rác bén cháy hay bốc khói.
- Không để trẻ em hay người đến xem đứng gần khi vận hành dụng cụ điện cầm tay. Sự phân tâm có thể gây ra sự mất điều khiển.

2) An toàn về điện

- Phích cắm của dụng cụ điện cầm tay phải thích hợp với ổ cắm. Không bao giờ được cải biến lại phích cắm dưới mọi hình thức. Không được sử dụng phích tiếp hợp nối tiếp đất (dây mát). Phích cắm nguyên bản và ổ cắm đúng loại sẽ làm giảm nguy cơ bị điện giật.
- Tránh không để thân thể tiếp xúc với đất hay các vật có bề mặt tiếp đất như đường ống, lò sưởi, hàng rào và tủ lạnh. Có nhiều nguy cơ bị điện giật hơn nếu cơ thể bạn bị tiếp hay nối đất.
- Không được để dụng cụ điện cầm tay ngoài mưa hay ở tình trạng ẩm ướt. Nước vào máy sẽ làm tăng nguy cơ bị điện giật.

d) Không được lạm dụng dây dẫn điện. Không bao giờ được nắm dây dẫn để xách, kéo hay rút phích cắm dụng cụ điện cầm tay. Không để dây gần nơi có nhiệt độ cao, dầu nhớt, vật nhọn bén hay bộ phận chuyển động. Làm hỏng hay cuộn rối dây dẫn làm tăng nguy cơ bị điện giật.

e) Khi sử dụng dụng cụ điện cầm tay ngoài trời, dùng dây nối thích hợp cho việc sử dụng ngoài trời. Sử dụng dây nối thích hợp cho việc sử dụng ngoài trời làm giảm nguy cơ bị điện giật.

f) Nếu việc sử dụng dụng cụ điện cầm tay ở nơi ẩm ướt là không thể tránh được, dùng thiết bị ngắt mạch tự động (RCD) bảo vệ nguồn. Sử dụng thiết bị ngắt mạch tự động RCD làm giảm nguy cơ bị điện giật.

3) An toàn cá nhân

- Hãy tỉnh táo, biết rõ mình đang làm gì và hãy sử dụng ý thức khi vận hành dụng cụ điện cầm tay. Không sử dụng dụng cụ điện cầm tay khi đang mệt mỏi hay đang bị tác động do chất gây nghiện, rượu hay được phẩm gây ra. Một thoáng mất tập trung khi đang vận hành dụng cụ điện cầm tay có thể gây thương tích nghiêm trọng cho bản thân.
- Sử dụng trang bị bảo hộ cá nhân. Luôn luôn đeo kính bảo vệ mắt. Trang bị bảo hộ như khẩu trang, giày chống trượt, nón bảo hộ, hay dụng cụ bảo vệ tai khi được sử dụng đúng nơi đúng chỗ sẽ làm giảm nguy cơ thương tật cho bản thân.
- Phòng tránh máy khởi động bất ngờ. Bảo đảm công tắc máy ở vị trí tắt trước khi cắm vào nguồn điện và/hoặc lắp pin vào, khi nhắc máy lên hay khi mang xách máy. Ngáng ngón tay vào công tắc máy để xách hay kích hoạt dụng cụ điện cầm tay khi công tắc ở vị trí mở dễ dẫn đến tai nạn.
- Lấy mọi chìa hay khóa điều chỉnh ra trước khi mở điện dụng cụ điện cầm tay. Khóa hay chìa còn gắn dính vào bộ phận quay của dụng cụ điện cầm tay có thể gây thương tích cho bản thân.

- e) **Không rướn người. Luôn luôn giữ tư thế đứng thích hợp và thăng bằng.** Điều này tạo cho việc điều khiển dụng cụ điện cầm tay tốt hơn trong mọi tình huống bất ngờ.
- f) **Trang phục thích hợp. Không mặc quần áo rộng thùng thình hay mang trang sức. Giữ tóc, quần áo và găng tay xa khỏi các bộ phận chuyển động.** Quần áo rộng thùng thình, đồ trang sức hay tóc dài có thể bị cuốn vào các bộ phận chuyển động.
- g) **Nếu có các thiết bị đi kèm để nối máy hút bụi và các phụ kiện khác, bảo đảm các thiết bị này được nối và sử dụng tốt.** Việc sử dụng các thiết bị gom hút bụi có thể làm giảm các độc hại liên quan đến bụi gây ra.
- 4) **Sử dụng và bảo dưỡng dụng cụ điện cầm tay**
- a) **Không được ép máy. Sử dụng dụng cụ điện cầm tay đúng loại theo đúng ứng dụng của bạn.** Dụng cụ điện cầm tay đúng chức năng sẽ làm việc tốt và an toàn hơn theo đúng tiến độ mà máy được thiết kế.
- b) **Không sử dụng dụng cụ điện cầm tay nếu như công tắc không tắt và mở được.** Bất kỳ dụng cụ điện cầm tay nào mà không thể điều khiển được bằng công tắc là nguy hiểm và phải được sửa chữa.
- c) **Rút phích cắm ra khỏi nguồn điện và/hay pin ra khỏi dụng cụ điện cầm tay trước khi tiến hành bất kỳ điều chỉnh nào, thay phụ kiện, hay cắt dụng cụ điện cầm tay.** Các biện pháp ngăn ngừa như vậy làm giảm nguy cơ dụng cụ điện cầm tay khởi động bất ngờ.
- d) **Cất giữ dụng cụ điện cầm tay không dùng tới nơi trẻ em không lấy được và không cho người chưa từng biết dụng cụ điện cầm tay hay các hướng dẫn này sử dụng dụng cụ điện cầm tay.** Dụng cụ điện cầm tay nguy hiểm khi ở trong tay người chưa được chỉ cách sử dụng.
- e) **Bảo quản dụng cụ điện cầm tay. Kiểm tra xem các bộ phận chuyển động có bị sai lệch hay kẹt, các bộ phận bị rạn nứt và các tình trạng khác có thể ảnh hưởng đến sự vận hành của máy. Nếu bị hư hỏng, phải sửa chữa máy trước khi sử dụng.** Nhiều tai nạn xảy ra do bảo quản dụng cụ điện cầm tay tồi.
- f) **Giữ các dụng cụ cắt bén và sạch.** Bảo quản đúng cách các dụng cụ cắt có cạnh cắt bén làm giảm khả năng bị kẹt và dễ điều khiển hơn.
- g) **Sử dụng dụng cụ điện cầm tay, phụ kiện, đầu cài v. v., đúng theo các chỉ dẫn này, hãy lưu ý đến điều kiện làm việc và công việc phải thực hiện.** Sử dụng dụng cụ điện cầm tay khác với mục đích thiết kế có thể tạo nên tình huống nguy hiểm.
- 5) **Bảo dưỡng**
- a) **Đưa dụng cụ điện cầm tay của bạn đến thợ chuyên môn để bảo dưỡng, chỉ sử dụng phụ tùng đúng chủng loại để thay.** Điều này sẽ đảm bảo sự an toàn của máy được giữ nguyên.

Chỉ dẫn chi tiết để sử dụng máy an toàn

- ▶ **NGUY HIỂM: Để tay ra khỏi phạm vi cắt và lưỡi cắt. Để tay còn lại lên tay nắm phụ, hay trên vỏ bọc động cơ.** Nếu cả hai tay đều giữ máy cửa, lưỡi cắt không thể cắt trúng tay được.
- ▶ **Không được chạm mặt dưới của vật liệu gia công.** Chấn bảo vệ không thể bảo vệ bạn khỏi lưỡi cắt nằm ở mặt dưới vật gia công được.
- ▶ **Điều chỉnh cỡ sâu cắt phù hợp với độ dày của vật liệu gia công.** Phải nhìn thấy được gần như nguyên răng của lưỡi cửa bên dưới vật liệu gia công.
- ▶ **Không bao giờ được dùng tay để giữ vật liệu hay gác ngang chân để cắt. Kẹp chắc vật gia công vào một nơi cố định vững vàng.** Điều quan trọng là hỗ trợ công việc một cách thích hợp để hạn chế sự phơi bày cơ thể ra, bị kẹt lưỡi, hay mất điều khiển.
- ▶ **Chỉ nắm máy nơi nắm có bề mặt cách điện khi thực hiện công việc nơi mà dụng cụ cắt có thể chạm vào dây điện âm hay chính dây dẫn điện của máy.** Tiếp xúc với dây "sống" sẽ làm các bộ phận kim loại không được bao bọc của dụng cụ "có điện" và giật người vận hành máy.

- ▶ **Khi xé, luôn luôn sử dụng rập xé hay dũa cắt cạnh thẳng.** Cách này làm tăng độ chính xác của đường cắt và làm giảm sự cố làm lưới cắt bị kẹt chặt.
- ▶ **Luôn luôn sử dụng lưới cắt đúng kích cỡ và hình dáng (hình thoi đối ứng tròn) của lỗ lắp lưới.** Loại lưới cắt không thích hợp với phần lắp ráp của cửa, sẽ chạy lệch tâm, làm mất điều khiển.
- ▶ **Không bao giờ được sử dụng vòng đệm lưới, bu-long hỏng hay sai kích cỡ.** Vòng đệm lưới cắt hay bu-long được thiết kế đặt biệt cho máy cửa của bạn, để đạt hiệu suất tốt nhất và vận hành an toàn.
- ▶ **Nguyên nhân và cách người điều khiển máy phòng tránh sự giật ngược:**
 - Sự giật ngược là một phản ứng đột ngột khi lưới cửa bị chèn chặt, bị nảy lên hay bị vênh, làm cho cửa nảy lên vì mất điều khiển, và văng khỏi vật gia công, hướng về người điều khiển máy.
 - Khi lưới cửa bị chèn chặt hoặc nảy lên là do mạch cắt bị khép chặt lại, lưới cửa đứng yên, lực truyền động của động cơ phản ứng làm máy quạt nhanh ngược về phía người điều khiển máy.
 - Nếu lưới cắt bị xoắn vặn hay vênh khi ở trong đường cắt, các răng ở cạnh sau của lưới cửa có thể bập lên trên bề mặt gỗ, làm cho lưới cửa leo ra khỏi mạch cắt và bật ngược về phía người điều khiển máy.

Sự giật ngược là hậu quả của việc sử dụng cửa sai cách/hoặc sai qui trình vận hành hoặc do một số điều kiện, và có thể tránh được bằng cách tuân theo các cách phòng tránh như chỉ dẫn sau đây.
- ▶ **Giữ chặt máy cửa bằng cả hai tay và tạo tư thế cho hai cánh tay chịu lại lực giật ngược. Để thân người bạn về một trong hai bên lưới cắt nhưng không được cùng hàng với lưới cắt.** Sự giật ngược có thể làm cho cửa bật ngược trở lại, nhưng người điều khiển máy có thể kiểm soát được lực giật ngược này, nếu như tuân thủ đúng theo cách phòng tránh.
- ▶ **Khi lưới cắt bị chèn chặt, hoặc đang gia công cắt thì gặp sự cố do bất kỳ lý do gì, nhả cò bấm ra và giữ nguyên vị trí cửa đang nằm trong vật liệu cho đến khi lưới cắt dừng quay hoàn toàn. Không bao giờ cố thử lấy cửa ra khỏi vật gia công hay kéo ngược ra sau trong khi lưới cắt vẫn còn đang chuyển động, nếu không, lực giật ngược có khả năng xảy ra.** Tìm nguyên nhân và có hành động thích hợp để loại trừ nguyên nhân làm cho lưới cắt bị kẹt chặt.
- ▶ **Khởi động lại máy khi vẫn còn nằm trong vật gia công, đặt lưới cửa vào giữa mạch cửa và kiểm tra xem răng cửa có găm vào vật liệu hay không.** Nếu lưới cửa bị kẹt chặt, nó có thể leo lên hay giật ngược ngay tại vật gia công khi khởi động lại cửa.
- ▶ **Kê đỡ các tấm ván lớn để làm giảm đến mức tối thiểu các rủi ro làm kẹt lưới và giật ngược.** Các tấm ván lớn thường có khuynh hướng bị võng xuống do chính trọng lượng của chúng. Sự kê đỡ phải được đặt bên dưới, hai bên ván, gần vạch cắt, và gần cạnh ván.
- ▶ **Không sử dụng lưới cùn hay đã hỏng.** Lưới cắt cùn hay kiểu lưới không thích hợp tạo mạch cắt hẹp nên làm tăng sự ma sát quá mức, làm kẹt lưới và giật ngược.
- ▶ **Cần khóa chỉnh đặt cỡ sâu lưới và cạnh xiên phải được vận chắc lại và đảm bảo an toàn trước khi cửa cắt.** Nếu sự điều chỉnh của lưới bị thay đổi trong khi cắt, nó có thể gây ra sự chèn chặt và giật ngược.
- ▶ **Cần cẩn trọng nhiều hơn khi thực hiện “việc cắt sọc” vào các bức tường đã sẵn có hay các khu vực khó nhìn thấy rõ khác.** Lưới cắt thọc ra có thể cắt vào đồ vật, thứ có thể gây ra sự giật ngược.
- ▶ **Trước mỗi lần sử dụng, kiểm tra xem chấn dưới có khép vào hết không. Không sử dụng máy cửa nếu chấn dưới không di chuyển tự do và khép ngay lại được. Không bao giờ kẹt hay cột chấn dưới ở vị trí mở.** Nếu vô ý làm cửa rớt xuống, chấn dưới có thể bị móp. Dùng cần kéo đàn hồi để kéo thật chấn dưới lên, và đảm bảo rằng, chấn vẫn chuyển động tự do, không chạm vào lưới hay bất cứ bộ phận nào khác, ở mọi góc độ và cỡ sâu cắt.
- ▶ **Kiểm tra sự hoạt động của lò xo của chấn dưới, nếu chấn và lò xo không hoạt động đúng cách, phải đem chúng đi sửa chữa trước khi sử dụng.** Chấn dưới có thể hoạt động không nhanh nhạy do có bộ phận bị hỏng, do cặn nhựa hay do mặt dăm tích tụ.

- ▶ **Chấn dưới phải được kéo thật vào bằng tay, chỉ khi thực hiện các đường cắt đặc biệt như “cắt sọc” và “cắt kết hợp”.** Kéo thật chấn dưới lên bằng cần kéo dài ngay khi lưỡi cắt ăn vào vật liệu, sau đó, phải thả chấn dưới ra lại. Đối với tất cả các kiểu cửa khác, chấn dưới phải hoạt động được một cách tự động.
- ▶ **Luôn luôn quan sát xem chấn dưới đã che lưỡi cắt chưa trước khi đặt cửa xuống bàn thợ hay sàn nhà.** Lưỡi cửa đang cuộn đi, không được che chắn sẽ làm cho cửa đi giật lùi, cắt vào bất cứ vật gì trên đường đi của nó. Hãy nhận biết thời gian cần đủ cho lưỡi ngừng quay sau khi nhả công tắc ra.
- ▶ **Không được đưa tay chạm vào trong bộ phận tổng mạt cửa.** Tay có thể bị các bộ phận đang chuyển động làm tổn thương.
- ▶ **Không thao tác cửa cao quá tầm đầu.** Ở vào tư thế này, bạn không điều khiển hoàn toàn dụng cụ điện được.
- ▶ **Dùng thiết bị dò tìm thích hợp để xác định nếu có các công trình công cộng lắp đặt ngầm trong khu vực làm việc hay liên hệ với Cty công trình Công cộng địa phương để nhờ hỗ trợ.** Dụng cụ chạm đường dẫn điện có thể gây ra hỏa hoạn và điện giật. Làm hư hại đường dẫn khí ga có thể gây nổ. Làm thủng đường dẫn nước gây hư hỏng tài sản hay có khả năng gây ra điện giật.
- ▶ **Không bắt cố định dụng cụ điện cầm tay để vận hành.** Máy không được thiết kế để vận hành với bàn máy cửa.
- ▶ **Không sử dụng lưỡi cửa thép gió (HSS).** Các loại lưỡi cắt như vậy có thể bị gãy dễ dàng.
- ▶ **Không được cửa kim loại màu.** Các phôi cháy đỏ có thể gây cháy bộ phận hút bụi.
- ▶ **Khi sử dụng máy, luôn luôn giữ chặt máy bằng cả hai tay và tạo tư thế đứng vững chắc.** Dụng cụ điện cầm tay vận hành an toàn hơn khi dùng cả hai tay.
- ▶ **Kẹp chặt vật gia công.** Vật gia công được kẹp bằng một thiết bị kẹp hay bằng ê-tô thì vững chắc hơn giữ bằng tay.

- ▶ **Luôn luôn đợi cho máy hoàn toàn ngừng hẳn trước khi đặt xuống.** Dụng cụ lắp vào máy có thể bị kẹp chặt dẫn đến việc dụng cụ điện cầm tay bị mất điều khiển.
- ▶ **Không bao giờ được sử dụng máy có dây dẫn bị hỏng. Không được chạm vào dây dẫn bị hỏng và kéo phích cắm điện nguồn ra trong lúc vận hành mà dây dẫn bị hỏng.** Dây dẫn bị hỏng làm tăng nguy cơ bị điện giật.

Mô tả chức năng



Đọc kỹ mọi cảnh báo an toàn và mọi hướng dẫn. Không tuân thủ mọi cảnh báo và hướng dẫn được liệt kê dưới đây có thể bị điện giật, gây cháy và/hay bị thương tật nghiêm trọng.

Trong khi đọc các hướng dẫn sử dụng, mở trang gấp hình ảnh máy và để mở nguyên như vậy.

Dành sử dụng cho

Máy được thiết kế để cắt gỗ theo đường dọc thẳng và chéo góc cũng như cắt vát chéo góc khi vật liệu gia công được kèm giữ vững chắc. Với việc sử dụng loại lưỡi cửa thích hợp, ta cũng có thể cửa được kim loại không màu mỏng có kết cấu hộp. vd. được định hình.

Không được phép gia công kim loại màu.

Biểu trưng của sản phẩm

Sự đánh số các biểu trưng của sản phẩm là để tham khảo hình minh họa của máy trên trang hình ảnh.

- 1 Công tắc Tắt/Mở
- 2 Nút nhả khóa của công tắc Tắt/Mở (3 601 E23 X../3 601 E23 0B./3 601 E22 X..)
- 2 Nút khóa giữ chế độ tự-chạy của công tắc Tắt/Mở (3 601 E23 0C./3 601 E23 0K./3 601 E23 0L./3 601 E22 0..)
- 3 Nút khóa trực
- 4 Thước đo góc vuông miệng
- 5 Bu-long tai hồng của đường cặp cạnh
- 6 Bu-long tai hồng dùng để chọn trước góc xiên
- 7 Vạch cắt, 45°

58 | Tiếng Việt

- | | |
|---|--|
| <p>8 Vạch cắt, 0°
 9 Đường cặp cạnh
 10 Chấn đàn hồi bảo vệ lưỡi
 11 Chân đế khuôn bao
 12 Cần đàn hồi dùng để kéo thật chắc bảo vệ lưỡi vào
 13 Bộ phận tổng mặt cửa(3 601 E23 ...)
 14 Chấn bảo vệ lưỡi
 15 Khóa lục giác
 16 Bu-long lắp ráp với vòng đệm
 17 Bích kẹp
 18 Lưỡi cửa*</p> | <p>19 Bích lắp
 20 Trục cửa
 21 Bộ phận hút ghép nối(3 601 E23 ...)*
 22 Vít lắp ráp bộ phận hút ghép nối vào (3 601 E23 ...)*
 23 Tay nắm phụ*
 24 Trục vít lắp bắt tay nắm phụ*
 25 Bu-long tai hồng dùng chọn trước chiều sâu cắt
 26 Bu-long tai hồng dùng để chọn trước góc xiên
 27 Hàm kẹp*</p> |
|---|--|
- *Các phụ tùng được minh họa hay mô tả không nằm trong tiêu chuẩn hàng hóa được giao kèm.

Thông số kỹ thuật

Cửa Dĩa	GKS ... Professional	190	190	190	165
Mã số máy	3 601 ...	E23 0C. E23 0L. E23 0K.	E23 0B.	E23 X4.	E22 0K. E22 X4.
Công suất vào danh định	W	1050	1050	1050	1050
Tốc độ không tải	v/p	4800	4800	4800	5000
Cỡ sâu cắt, tối đa					
– Cho góc xiên 0°	mm	66	66	66	55
– Cho góc xiên 45°	mm	46	46	46	36
Khóa trục		●	●	●	●
Kích thước chân đế	mm	130 x 260	130 x 260	130 x 260	130 x 240
Đường kính lưỡi cửa, tối đa	"	7½	7½	7½	6½
Đường kính lưỡi cửa, tối thiểu	"	7¼	7¼	7¼	6¼
Độ dày lưỡi cửa, tối đa	mm	1,6	1,6	1,6	1,6
Lỗ lắp vào	mm	20	19	20	20
Trọng lượng theo Quy trình EPTA-Procedure 01/2003 (chuẩn EPTA 01/2003)	kg	3,8	3,8	3,8	3,6
Cấp độ bảo vệ		□ / II	□ / II	□ / II	□ / II
Các giá trị đã cho có hiệu lực cho điện thế danh định [U] 230/240 V. Đối với điện thế thấp hơn và các loại máy dành riêng cho một số quốc gia, các giá trị này có thể thay đổi.					
Xin vui lòng xem kỹ mã số máy trên nhãn máy của bạn. Tên thương mại của từng máy có thể khác nhau.					

Sự lắp vào

Lắp/Thay Lưới Cửa

- ▶ Trước khi tiến hành bất cứ việc gì trên máy, kéo phích cắm điện nguồn ra.
- ▶ Khi lắp ráp lưới cửa, hãy mang găng tay bảo hộ vào. Nguy cơ gây thương tích khi chạm vào lưới cửa.
- ▶ Chỉ sử dụng lưới cửa phù hợp với các thông số kỹ thuật đã cho trong phần hướng dẫn sử dụng.
- ▶ Trong bất kỳ trường hợp nào cũng không được sử dụng đĩa mài thay cho dụng cụ cắt.

Chọn Lưới Cửa

Phần khuyến nghị tổng quát dành cho lưới cửa có thể tra tìm ở phần cuối sách hướng dẫn sử dụng này.

Lấy Lưới Cửa Ra (xem hình A)

Để thay dụng cụ cắt, tốt nhất là nên đặt máy lên bên bề mặt có vỏ bọc động cơ.

- Nhấn nút khóa trục 3 và giữ nhấn.
- ▶ Nút khóa trục 3 chỉ có thể hoạt động khi trục khoan máy cửa đã dừng yên một chỗ. Nếu không như vậy, dụng cụ điện có thể bị làm hỏng.
- Với chìa vặn sáu cạnh 15, vặn bu-long lắp ráp ra 16 xoay theo chiều quay ⚙.
- Kéo thật chắc đàn hồi bảo vệ lưới vào 10 và giữ chặt.
- Tháo bích kẹp 17 và lưới cắt 18 ra khỏi trục cửa 20.

Lắp Ráp Lưới Cửa (xem hình A)

Để thay dụng cụ cắt, tốt nhất là nên đặt máy lên bên bề mặt có vỏ bọc động cơ.

- Lau sạch lưới cửa 18 và tất cả các bộ phận kẹp khác sắp được lắp vào.
- Kéo thật chắc đàn hồi bảo vệ lưới vào 10 và giữ chặt.
- Đặt lưới cửa 18 lên trên bích lắp 19. Chiều cắt của răng cửa (chiều mũi tên trên lưới cửa), và hướng của mũi tên chỉ chiều quay trên chắn bảo vệ lưới 14 phải phù hợp nhau.

- Lắp bích kẹp 17 và vặn bu-long lắp ráp vào 16 xoay theo chiều quay ⚙. Tuân thủ theo đúng vị trí lắp đặt của bích lắp 19 và bích kẹp 17.
- Nhấn nút khóa trục 3 và giữ nhấn.
- Dùng chìa vặn sáu cạnh 15, siết chặt bu-long lắp ráp 16 xoay theo chiều quay ⚙. Lực siết vặn ở vào khoảng giữa 6–9 Nm, phù hợp với sự siết chặt bằng tay cộng thêm ¼ vòng.

Hút Dăm/Bụi

- ▶ Trước khi tiến hành bất cứ việc gì trên máy, kéo phích cắm điện nguồn ra.
- ▶ Mạt bụi từ các vật liệu được sơn phủ ngoài có chứa chì trên một số loại gỗ, khoáng vật và kim loại có thể gây nguy hại đến sức khỏe con người. Đụng chạm hay hít thở các bụi này có thể làm người sử dụng hay đứng gần bị dị ứng và/hoặc gây nhiễm trùng hệ hô hấp. Một số mạt bụi cụ thể, ví dụ như bụi gỗ sồi hay đậu, được xem là chất gây ung thư, đặc biệt là có liên quan đến các chất phụ gia dùng xử lý gỗ (chất cromat, chất bảo quản gỗ). Có thể chỉ nên để thợ chuyên môn gia công các loại vật liệu có chứa amiăng.

- Hãy sử dụng máy hút bụi ở bất cứ nơi nào có thể.
- Tạo không khí thông thoáng nơi làm việc.
- Khuyến nghị nên mang mặt nạ phòng độc có bộ lọc cấp P2.

Tuân thủ các qui định của quốc gia bạn liên quan đến loại vật liệu gia công.

Lắp Bộ Phận Hút Ghép Nối (3 601 E23 ...) (xem hình B)

Gắn bộ phận hút ghép nối 21 lên trên bộ phận tổng mặt cửa 13 cho đến khi ăn khớp. Bắt chặt bộ phận hút ghép nối 21 phụ thêm bằng vít 22.

Vòi ống hút chân không có đường kính 35 mm có thể nối với bộ phận hút ghép nối 21.

- ▶ Khi máy không nối với máy hút bụi bên ngoài, có thể không cần gắn bộ phận hút ghép nối vào. Nếu không, đường hút có thể bị tắc nghẽn.
- ▶ Không lắp túi đựng bụi vào bộ phận hút ghép nối. Nếu không, hệ thống hút có thể bị tắc nghẽn.

Để đảm bảo sự hút được tốt nhất, bộ phận hút ghép nối 21 phải được làm sạch thường xuyên.

60 | Tiếng Việt

Máy Hút Bụi Ngoài (3 601 E23 ...)

Nối vòi ống hút chân không vào máy hút chân không (phụ kiện). Phần tổng quát hướng dẫn cách đấu nối với các loại máy hút chân không khác nhau, có thể tra tìm ở phần cuối của sách hướng dẫn sử dụng này.

Máy có thể đấu nối trực tiếp vào bộ thu của máy hút chân không đa năng Bosch bằng bộ điều khiển khởi động từ xa. Máy hút chân không khởi động tự động khi máy được mở.

Máy hút bụi phải thích hợp dành cho loại vật liệu đang gia công.

Khi hút bụi khô loại đặc biệt gây nguy hại đến sức khỏe hoặc gây ra ung thư, hãy sử dụng máy hút bụi loại chuyên dụng.

Gắn Tay Nắm Phụ (xem hình C)

- ▶ Trước khi tiến hành bất cứ việc gì trên máy, kéo phích cắm điện nguồn ra.

Gắn tay nắm phụ 23 vào chấn bảo vệ lưới 14 bằng trục vít lắp bắt 24.

Vận Hành**Chế Độ Hoạt Động**

- ▶ Trước khi tiến hành bất cứ việc gì trên máy, kéo phích cắm điện nguồn ra.

Điều Chỉnh Cỡ Sâu Cắt (xem hình D)

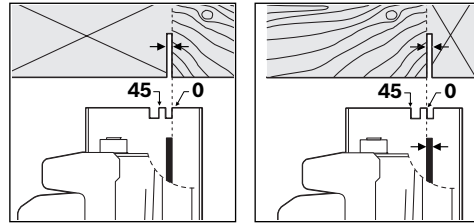
- ▶ Điều chỉnh cỡ sâu cắt phù hợp với độ dày của vật liệu gia công. Phải nhìn thấy được gần như nguyên răng của lưỡi cưa bên dưới vật liệu gia công.

Nới lỏng bu-lông 25. Để có chiều sâu cắt nhỏ hơn, kéo cưa ra khỏi chân đế khuôn bao 11; Để có chiều sâu cắt lớn hơn, đẩy cưa về phía chân đế khuôn bao 11. Siết chặt bu-lông tại hồng 25 lại như cũ.

Điều Chỉnh Góc Cắt

Tốt nhất là đặt máy bên bề mặt của chấn bảo vệ lưới 14.

Nới lỏng bu-lông tại hồng 6 và 26. Kéo nghiêng cưa qua một bên. Điều chỉnh kích cỡ theo yêu cầu trên thước đo 4. Siết chặt bu-lông tại hồng 6 và 26 thêm lần nữa.

Các Vạch Cắt

Vạch cắt số 0° (8) biểu thị vị trí của lưới cửa dùng cho góc cắt vuông. Vạch cắt 45° (7) biểu thị vị trí của lưới cửa cho góc cắt 45° cắt.

Để cắt chính xác, chỉnh đặt máy cưa đĩa tựa vào vật gia công như đã được trình bày trong hình. Tốt nhất là nên thực hiện việc cắt thử trước.

Bắt Đầu Vận Hành

- ▶ Tuân thủ theo đúng điện thế! Điện thế nguồn phải đúng với điện thế đã ghi rõ trên nhãn máy.

Bật Mở và Tắt

(3 601 E23 X../3 601 E23 0B./3 601 E22 X..)

Để khởi động máy, trước hết nhấn nút nhả khóa của công tắc Tắt/Mở 2 và sau đó nhấn công tắc Tắt/Mở 1 và tiếp tục giữ nguyên nhấn.

Đề tắt máy, nhả công tắc Tắt/Mở ra 1.

Ghi Chú: Vì lý do an toàn, công tắc chuyển mạch Tắt/Mở 1 không thể khóa tự chạy được, mà phải giữ nhấn trong suốt quá trình vận hành.

Bật Mở và Tắt

(3 601 E23 0C./3 601 E23 0K./
3 601 E23 0L./3 601 E22 0..)

Để khởi động máy, nhấn công tắc Tắt/Mở 1 và nhấn giữ xuống.

Để khóa, nhấn công tắc Tắt/Mở 1, nhấn nút khóa tự-chạy 2 vào.

Để tắt máy, nhả công tắc Tắt/Mở 1 ra hay khi công tắc đã được khóa bằng nút khóa tự-chạy 2, nhấn nhanh công tắc Tắt/Mở 1 và rời nhả ra.

Hướng Dẫn Sử Dụng

Bảo vệ lưới cửa không bị va đập và đụng chạm mạnh.



Đẩy máy đều tay và cho nạp tải vừa nhẹ theo chiều cắt. Sự nạp tải quá mức làm giảm đáng kể tuổi thọ của lưỡi cưa và có thể làm hư hỏng dụng cụ điện cầm tay.

Hiệu suất cưa và chất lượng của sự cưa cắt tùy thuộc chủ yếu vào điều kiện, kiểu dáng răng của lưỡi cưa. Vì vậy, chỉ nên sử dụng các lưỡi cưa bên, thích hợp với loại vật liệu được gia công.

Cưa Gỗ

Sự lựa chọn đúng loại lưỡi cưa dựa trên loại và chất lượng gỗ và cách cắt theo yêu cầu, cắt theo chiều dọc hay chiều chéo góc.

Khi xẻ dọc gỗ cây vân sấm, dăm bào được tạo ra thường xoắn dài.

Mặt cưa của gỗ sồi và dẫu đặt biệt gây độc hại cho sức khỏe. Vì vậy, chỉ gia công kết hợp với máy hút bụi.

Cưa Cùng Với Dường Cạnh (xem hình E)

Dường cạnh 9 cho phép thực hiện các đường cắt chính xác dọc theo cạnh vật gia công và xẻ thanh có cùng đều kích cỡ.

Nới lỏng bu-long tại hõng 5 và luồn thước đo cỡ của dường cạnh 9 xuyên qua dường nằm trong chân đế 11. Chính đặt bề rộng cắt theo yêu cầu như độ chia trên thước, tương ứng với vạch cắt 8 hay 7: xem Phần "Các Vạch Cắt". Siết chặt bu-long tại hõng 5 lại như cũ.

Cưa Với Dường Phụ (xem hình F)

Để cưa vật gia công rộng bản hoặc có cạnh thẳng, dùng ván hay thanh nẹp kẹp vào vật gia công như là một dường phụ; có thể đẩy chân đế của cưa đĩa tựa dọc theo dường phụ.

Bảo Dưỡng và Bảo Quản

Bảo Dưỡng Và Làm Sạch

- ▶ Trước khi tiến hành bất cứ việc gì trên máy, kéo phích cắm điện nguồn ra.
- ▶ Để được an toàn và máy hoạt động đúng chức năng, luôn luôn giữ máy và các khe thông gió được sạch.

Chấn đàn hồi bảo vệ lưỡi phải luôn luôn có thể chuyển động tự do, co thắt tự động. Vì vậy, luôn luôn giữ cho phạm vi chung quanh chấn đàn hồi bảo vệ lưỡi được sạch. Dùng hơi nén để thổi hay dùng cọ để quét sạch bụi và dăm.

Lưỡi cưa không được phủ ngoài, có thể bảo vệ được bằng cách dùng loại dầu nhờn không axit phủ một lớp mỏng chống gỉ sét lên. Phải lau sạch dầu nhờn lại trước khi sử dụng, nếu không, sẽ làm gỗ bị bẩn.

Cặn nhựa và keo dính trên lưỡi cưa tạo ra đường cắt có chất lượng tồi. Vì vậy, làm sạch lưỡi cưa ngay sau mỗi lần sử dụng.

Nếu giả như máy bị trục trặc dù đã được theo dõi cẩn thận trong quá trình sản xuất và đã qua chạy kiểm tra, sự sửa chữa phải do trung tâm bảo hành-bảo trì dụng cụ điện cầm tay Bosch thực hiện.

Trong mọi thư từ giao dịch và đơn đặt hàng phụ tùng, xin vui lòng luôn viết đủ 10 con số đã được ghi trên nhãn máy.

Dịch vụ hỗ trợ khách hàng và bảo hành-bảo trì

Bộ phận phục vụ hàng sau khi bán của chúng tôi trả lời các câu hỏi liên quan đến việc bảo dưỡng và sửa chữa các sản phẩm cũng như phụ tùng thay thế của bạn. Sơ đồ mô tả và thông tin về phụ tùng thay thế cũng có thể tra cứu theo dưới đây:

www.bosch-pt.com

Các nhân viên tư vấn khách hàng của chúng tôi trả lời các câu hỏi của bạn liên quan đến việc mua sản phẩm nào là tốt nhất, cách ứng dụng và điều chỉnh sản phẩm và các phụ kiện.

Việt Nam

Trung Tâm Thương Mại Sài Gòn

37 Tôn Đức Thắng

P. Bến Nghé

Q.1

Tp. Hcm

Việt Nam

Tel.: +84 (8) 9 11 13 74 – 9 11 13 75

Fax: +84 (8) 9 11 13 76

Thải bỏ

Máy, linh kiện và bao bì phải được phân loại để tái chế theo hướng thân thiện với môi trường.

Được quyền thay đổi nội dung mà không phải thông báo trước.



Avertissements de sécurité généraux pour l'outil

⚠ AVERTISSEMENT Lire tous les avertissements de sécurité et toutes les instructions. Ne pas suivre les avertissements et instructions peut donner lieu à un choc électrique, un incendie et/ou une blessure sérieuse.

Conserver tous les avertissements et toutes les instructions pour pouvoir s'y reporter ultérieurement.

Le terme « outil » dans les avertissements fait référence à votre outil électrique alimenté par le secteur (avec cordon d'alimentation) ou votre outil fonctionnant sur batterie (sans cordon d'alimentation).

1) Sécurité de la zone de travail

- a) **Conserver la zone de travail propre et bien éclairée.** Les zones en désordre ou sombres sont propices aux accidents.
- b) **Ne pas faire fonctionner les outils électriques en atmosphère explosive, par exemple en présence de liquides inflammables, de gaz ou de poussières.** Les outils électriques produisent des étincelles qui peuvent enflammer les poussières ou les fumées.
- c) **Maintenir les enfants et les personnes présentes à l'écart pendant l'utilisation de l'outil.** Les distractions peuvent vous faire perdre le contrôle de l'outil.

2) Sécurité électrique

- a) **Il faut que les fiches de l'outil électrique soient adaptées au socle. Ne jamais modifier la fiche de quelque façon que ce soit. Ne pas utiliser d'adaptateurs avec des outils à branchement de terre.** Des fiches non modifiées et des socles adaptés réduiront le risque de choc électrique.

- b) **Eviter tout contact du corps avec des surfaces reliées à la terre telles que les tuyaux, les radiateurs, les cuisinières et les réfrigérateurs.** Il existe un risque accru de choc électrique si votre corps est relié à la terre.

- c) **Ne pas exposer les outils à la pluie ou à des conditions humides.** La pénétration d'eau à l'intérieur d'un outil augmentera le risque de choc électrique.

- d) **Ne pas maltraiter le cordon. Ne jamais utiliser le cordon pour porter, tirer ou débrancher l'outil. Maintenir le cordon à l'écart de la chaleur, du lubrifiant, des arêtes ou des parties en mouvement.** Les cordons endommagés ou emmêlés augmentent le risque de choc électrique.

- e) **Lorsqu'on utilise un outil à l'extérieur, utiliser un prolongateur adapté à l'utilisation extérieure.** L'utilisation d'un cordon adapté à l'utilisation extérieure réduit le risque de choc électrique.

- f) **Si l'usage d'un outil dans un emplacement humide est inévitable, utiliser une alimentation protégée par un dispositif à courant différentiel résiduel (RCD).** L'usage d'un RCD réduit le risque de choc électrique.

3) Sécurité des personnes

- a) **Rester vigilant, regarder ce que vous êtes en train de faire et faire preuve de bon sens dans votre utilisation de l'outil. Ne pas utiliser un outil lorsque vous êtes fatigué ou sous l'emprise de drogues, d'alcool ou de médicaments.** Un moment d'inattention en cours d'utilisation d'un outil peut entraîner des blessures graves des personnes.

- b) **Utiliser un équipement de sécurité. Toujours porter une protection pour les yeux.** Les équipements de sécurité tels que les masques contre les poussières, les chaussures de sécurité antidérapantes, les casques ou les protections acoustiques utilisés pour les conditions appropriées réduiront les blessures de personnes.

- c) Éviter tout démarrage intempestif. S'assurer que l'interrupteur est en position arrêt avant de brancher l'outil au secteur et/ou au bloc de batteries, de le ramasser ou de le porter.** Porter les outils en ayant le doigt sur l'interrupteur ou brancher des outils dont l'interrupteur est en position marche est source d'accidents.
- d) Retirer toute clé de réglage avant de mettre l'outil en marche.** Une clé laissée fixée sur une partie tournante de l'outil peut donner lieu à des blessures de personnes.
- e) Ne pas se précipiter. Garder une position et un équilibre adaptés à tout moment.** Cela permet un meilleur contrôle de l'outil dans des situations inattendues.
- f) S'habiller de manière adaptée. Ne pas porter de vêtements amples ou de bijoux. Garder les cheveux, les vêtements et les gants à distance des parties en mouvement.** Des vêtements amples, des bijoux ou les cheveux longs peuvent être pris dans des parties en mouvement.
- g) Si des dispositifs sont fournis pour le raccordement d'équipements pour l'extraction et la récupération des poussières, s'assurer qu'ils sont connectés et correctement utilisés.** Utiliser des collecteurs de poussière peut réduire les risques dus aux poussières.
- 4) Utilisation et entretien de l'outil**
- a) Ne pas forcer l'outil. Utiliser l'outil adapté à votre application.** L'outil adapté réalisera mieux le travail et de manière plus sûre au régime pour lequel il a été construit.
- b) Ne pas utiliser l'outil si l'interrupteur ne permet pas de passer de l'état de marche à arrêt et vice versa.** Tout outil qui ne peut pas être commandé par l'interrupteur est dangereux et il faut le réparer.
- c) Débrancher la fiche de la source d'alimentation en courant et/ou le bloc de batteries de l'outil avant tout réglage, changement d'accessoires ou avant de ranger l'outil.** De telles mesures de sécurité préventives réduisent le risque de démarrage accidentel de l'outil.
- d) Conserver les outils à l'arrêt hors de la portée des enfants et ne pas permettre à des personnes ne connaissant pas l'outil ou les présentes instructions de le faire fonctionner.** Les outils sont dangereux entre les mains d'utilisateurs novices.
- e) Observer la maintenance de l'outil. Vérifier qu'il n'y a pas de mauvais alignement ou de blocage des parties mobiles, des pièces cassées ou toute autre condition pouvant affecter le fonctionnement de l'outil. En cas de dommages, faire réparer l'outil avant de l'utiliser.** De nombreux accidents sont dus à des outils mal entretenus.
- f) Garder affûtés et propres les outils permettant de couper.** Des outils destinés à couper correctement entretenus avec des pièces coupantes tranchantes sont moins susceptibles de bloquer et sont plus faciles à contrôler.
- g) Utiliser l'outil, les accessoires et les lames etc., conformément à ces instructions, en tenant compte des conditions de travail et du travail à réaliser.** L'utilisation de l'outil pour des opérations différentes de celles prévues pourrait donner lieu à des situations dangereuses.
- 5) Maintenance et entretien**
- a) Faire entretenir l'outil par un réparateur qualifié utilisant uniquement des pièces de rechange identiques.** Cela assurera que la sécurité de l'outil est maintenue.

Instructions de sécurité spécifiques à l'appareil

- **DANGER : N'approchez pas les mains de la zone de coupe et de la lame. Gardez la deuxième main sur la poignée auxiliaire ou sur le boîtier du moteur.** Si les deux mains tiennent la scie, elles ne peuvent pas être coupées par la lame.
- **N'exposez aucune partie de votre corps sous la pièce à travailler.** Le protecteur ne peut pas vous protéger de la lame sous la pièce à travailler.

- ▶ **Ajustez la profondeur de coupe à l'épaisseur de la pièce à travailler.** Il convient que moins de la totalité d'une dent parmi toutes les dents de la lame soit visible sous la pièce à travailler.
 - ▶ **Ne tenez jamais la pièce à débiter dans vos mains ou sur vos jambes. Assurez-vous que la pièce à travailler se trouve sur une plateforme stable.** Il est important que la pièce à travailler soit soutenue convenablement, afin de minimiser l'exposition du corps, le grippage de la lame, ou la perte de contrôle.
 - ▶ **Tenir l'outil uniquement par les surfaces de préhension isolantes, pendant les opérations au cours desquelles l'accessoire coupant peut être en contact avec des conducteurs cachés ou avec son propre câble.** Le contact de l'accessoire coupant avec un fil « sous tension » peut également mettre « sous tension » les parties métalliques exposées de l'outil électrique et provoquer un choc électrique sur l'opérateur.
 - ▶ **Lors d'une coupe, utilisez toujours un guide parallèle ou un guide à bords droits.** Cela améliore la précision de la coupe et réduit les risques de grippage de la lame.
 - ▶ **Utilisez toujours des lames dont la taille et la forme (diamètre et rond) des alésages centraux sont convenables.** Les lames qui ne correspondent pas aux éléments de montage de la scie ne fonctionneront pas bien, provoquant une perte de contrôle.
 - ▶ **N'utilisez jamais de rondelles ou de boulons de lames endommagés ou inadaptés.** Les rondelles et les boulons de lames ont été spécialement conçus pour votre scie, afin de garantir une performance optimale et une sécurité de fonctionnement.
 - ▶ **Causes du recul et prévention par l'opérateur :**
 - le recul est une réaction soudaine observée sur une lame de scie pincée, bloquée ou mal alignée, faisant sortir la scie de la pièce à travailler de manière incontrôlée dans la direction de l'opérateur ;
 - lorsque la lame est pincée ou bloquée fermement par le fond du trait de scie, la lame se bloque et le moteur fait retourner brutalement le bloc à l'opérateur ;
 - si la lame se tord ou est mal alignée lors de la coupe, les dents sur le bord arrière de la lame peuvent creuser la face supérieure du bois, ce qui fait que la lame sort du trait de scie et est projetée sur l'opérateur.
- Le recul est le résultat d'un mauvais usage de la scie et/ou de procédures ou de conditions de fonctionnement incorrectes et peut être évité en prenant les précautions adéquates spécifiées ci-dessous.
- ▶ **Maintenez fermement la scie avec les deux mains et positionnez vos bras afin de résister aux forces de recul. Positionnez votre corps de chaque côté de la lame, mais pas dans l'alignement de la lame.** Le recul peut faire revenir la scie en arrière, mais les forces de recul peuvent être maîtrisées par l'opérateur, si les précautions adéquates sont prises.
 - ▶ **Lorsque la lame est grippée ou lorsqu'une coupe est interrompue pour quelque raison que ce soit, relâchez le bouton de commande et maintenez la scie immobile dans le matériau, jusqu'à ce que la lame arrête complètement de fonctionner. N'essayez jamais de retirer la scie de la pièce à travailler ou de tirer la scie en arrière pendant que la lame est en mouvement ou que le recul peut se produire.** Recherchez et prenez des mesures correctives afin d'empêcher que la lame ne se grippe.
 - ▶ **Lorsque vous remettez en marche une scie dans la pièce à travailler, centrez la lame de scie dans le trait de scie et vérifiez que les dents de la scie ne soient pas rentrées dans le matériau.** Si la lame de scie est grippée, elle peut venir chevaucher la pièce à travailler ou en sortir lorsque la scie est remise en fonctionnement.
 - ▶ **Placez des panneaux de grande taille sur un support afin de minimiser les risques de pincement de la lame et de recul.** Les grands panneaux ont tendance à fléchir sous leur propre poids. Les supports doivent être placés sous le panneau des deux côtés, près de la ligne de coupe et près du bord du panneau.

- ▶ **N'utilisez pas de lames émoussées ou endommagées.** Des lames non aiguisées ou mal fixées entraînent un trait de scie rétréci, provoquant trop de frottements, un grippage de la lame et un recul.
- ▶ **La profondeur de la lame et les leviers de verrouillage et de réglage du biseau doivent être solides et stables avant de réaliser la coupe.** Si l'ajustement de la lame dérive pendant la coupe, cela peut provoquer un grippage et un recul.
- ▶ **Soyez d'autant plus prudent lorsque vous faites une « coupe plongeante » dans des parois existantes ou dans d'autres zones sans visibilité.** La lame saillante peut couper des objets qui peuvent entraîner un recul.
- ▶ **Vérifiez que le protecteur inférieur soit bien fermé avant chaque utilisation. Ne mettez pas la scie en marche si le protecteur inférieur ne se déplace pas librement et ne se ferme pas instantanément. Ne serrez jamais ou n'attachez jamais le protecteur inférieur en position ouverte.** Si la scie tombe accidentellement, le protecteur inférieur peut se tordre. Soulevez le protecteur inférieur avec la poignée rétractive et assurez-vous qu'il bouge librement et n'est pas en contact avec la lame ou toute autre partie, à tous les angles et profondeurs de coupe.
- ▶ **Vérifiez le fonctionnement du ressort du protecteur inférieur. Si le protecteur et le ressort ne fonctionnent pas correctement, ils doivent être révisés avant utilisation.** Le protecteur inférieur peut fonctionner lentement en raison d'éléments endommagés, de dépôts collants ou de l'accumulation de débris.
- ▶ **Le protecteur inférieur peut revenir se loger manuellement uniquement pour les coupes particulières telles que les « coupes plongeantes » et les « coupes complexes ».** Soulevez le protecteur inférieur par la poignée rétractive et dès que la lame entre dans le matériau, le protecteur inférieur doit être relâché. Pour toutes les autres découpes, il convient que le protecteur inférieur fonctionne automatiquement.
- ▶ **Vérifiez toujours que le protecteur inférieur recouvre la lame avant de poser la scie sur un établi ou sur le sol.** Une lame non protégée et continuant à fonctionner par inertie entraînera la scie en arrière, et coupera alors tout ce qui se trouve sur sa trajectoire. Soyez conscient du temps nécessaire à la lame pour s'arrêter après que l'interrupteur est relâché.
- ▶ **Ne pas mettre les mains dans l'éjecteur de copeaux.** Il y a risque de blessures avec les parties en rotation.
- ▶ **Ne pas travailler avec la scie au-dessus de la tête.** Dans cette position, vous n'avez pas suffisamment de contrôle sur l'appareil électroportatif.
- ▶ **Utiliser des détecteurs appropriés afin de déceler des conduites cachées ou consulter les entreprises d'approvisionnement locales.** Un contact avec des lignes électriques peut provoquer un incendie ou un choc électrique. Un endommagement d'une conduite de gaz peut provoquer une explosion. La perforation d'une conduite d'eau provoque des dégâts matériels et peut provoquer un choc électrique.
- ▶ **Ne pas utiliser l'outil électroportatif de manière stationnaire !** Il n'est pas conçu pour une utilisation avec table de sciage.
- ▶ **Ne pas utiliser de lames en acier HSS (aciers super rapides).** De telles lames se cassent facilement.
- ▶ **Ne pas scier de métaux ferreux.** Les copeaux incandescents peuvent enflammer l'aspiration des copeaux.
- ▶ **Toujours bien tenir l'outil électroportatif des deux mains et veiller à toujours garder une position de travail stable.** Avec les deux mains, l'outil électroportatif est guidé de manière plus sûre.
- ▶ **Bloquer la pièce à travailler.** Une pièce à travailler serrée par des dispositifs de serrage ou dans un étau est fixée de manière plus sûre que tenue dans les mains.

► **Avant de déposer l'outil électroportatif, attendre que celui-ci soit complètement à l'arrêt.** L'outil risque de se coincer, ce qui entraîne une perte de contrôle de l'outil électroportatif.

► **Ne jamais utiliser un outil électroportatif dont le câble est endommagé. Ne pas toucher à un câble endommagé et retirer la fiche du câble d'alimentation de la prise du courant, au cas où le câble serait endommagé lors du travail.** Un câble endommagé augmente le risque d'un choc électrique.

Description du fonctionnement



Lire tous les avertissements et indications. Le non-respect des avertissements et instructions indiqués ci-après peut entraîner un choc électrique, un incendie et/ou de graves blessures sur les personnes.

Déplier le volet sur lequel l'appareil est représenté de manière graphique. Laisser le volet déplié pendant la lecture de la présente notice d'utilisation.

Utilisation conforme

L'outil électroportatif, équipé d'un support stable, est conçu pour effectuer dans le bois des coupes droites longitudinales et transversales ainsi que des angles d'onglet. Avec des lames de scie correspondantes, il est également possible de scier des matériaux non ferreux à paroi mince, p. ex. des profilés.

Travailler des métaux ferreux n'est pas admissible.

Éléments de l'appareil

La numérotation des éléments de l'appareil se réfère à la représentation de l'outil électroportatif sur la page graphique.

- 1 Interrupteur Marche/Arrêt
- 2 Verrouillage de mise en fonctionnement de l'interrupteur Marche/Arrêt (3 601 E23 X../3 601 E23 0B./3 601 E22 X..)
- 2 Bouton de blocage pour l'interrupteur Marche/Arrêt (3 601 E23 0C./3 601 E23 0K./3 601 E23 0L./3 601 E22 0..)
- 3 Touche de blocage de la broche
- 4 Graduation angles d'onglet
- 5 Vis papillon pour la butée parallèle
- 6 Vis papillon pour présélection de l'angle d'onglet
- 7 Marquage de la coupe 45°
- 8 Marquage de la coupe 0°
- 9 Butée parallèle
- 10 Capot de protection à mouvement pendulaire
- 11 Plaque de base
- 12 Levier de réglage du capot de protection à mouvement pendulaire
- 13 Ejection des copeaux (3 601 E23 ...)
- 14 Capot de protection
- 15 Clé mâle coudée pour vis à six pans creux
- 16 Vis de serrage avec rondelle
- 17 Bride de serrage
- 18 Lame de scie circulaire*
- 19 Bride porte-outil
- 20 Broche de scie
- 21 Adaptateur d'aspiration (3 601 E23 ...)*
- 22 Vis de fixation adaptateur d'aspiration (3 601 E23 ...)*
- 23 Poignée supplémentaire*
- 24 Vis de la poignée supplémentaire*
- 25 Vis papillon pour présélection de la profondeur de coupe
- 26 Vis papillon pour présélection de l'angle d'onglet
- 27 Serre-joint (1 paire)*

*Les accessoires décrits ou montrés ne sont pas compris dans l'emballage standard.

Caractéristiques techniques

Scie circulaire	GKS ... Professional	190	190	190	165
N° d'article	3 601 ...	E23 0C. E23 0L. E23 0K.	E23 0B.	E23 X4.	E22 0K. E22 X4.
Puissance absorbée nominale	W	1050	1050	1050	1050
Vitesse de rotation en marche à vide	tr/min	4800	4800	4800	5000
Profondeur de coupe max. – pour un angle d'onglet de 0° – pour un angle d'onglet de 45°	mm mm	66 46	66 46	66 46	55 36
Blocage de la broche		●	●	●	●
Dimensions de la plaque de base	mm	130 x 260	130 x 260	130 x 260	130 x 240
Diamètre max. de la lame de scie	"	7 ½	7 ½	7 ½	6 ½
Diamètre min. de la lame de scie	"	7 ¼	7 ¼	7 ¼	6 ¼
Épaisseur max. de la lame	mm	1,6	1,6	1,6	1,6
Perçage de positionnement	mm	20	19	20	20
Poids suivant EPTA-Procédure 01/2003	kg	3,8	3,8	3,8	3,6
Classe de protection		□ / II	□ / II	□ / II	□ / II

Ces indications sont valables pour des tensions nominales de [U] 230/240 V. Ces indications peuvent varier pour des tensions plus basses ainsi que pour des versions spécifiques à certains pays.

Respectez impérativement le numéro d'article se trouvant sur la plaque signalétique de l'outil électroportatif. Les désignations commerciales des différents outils électroportatifs peuvent varier.

Montage

Montage/Changement de la lame de scie circulaire

- ▶ Avant d'effectuer des travaux sur l'outil électroportatif, retirez la fiche de la prise de courant.
- ▶ Porter toujours des gants de protection pour monter la lame de scie. Lors d'un contact avec la lame de scie, il y a un risque de blessures.

▶ N'utiliser que des lames de scie qui correspondent aux caractéristiques techniques indiquées dans ces instructions d'utilisation.

▶ Ne jamais utiliser de meules comme outil de travail.

Choix de la lame de scie

Vous trouverez un tableau des lames de scie recommandées à la fin de ces instructions d'utilisation.

Démontage de la lame de scie (voir figure A)

Pour changer l'outil, le mieux est de poser l'outil électroportatif sur la partie avant du carter moteur.

- Appuyer sur la touche de blocage de la broche **3** et la maintenir dans cette position.
- ▶ **N'actionner la touche de blocage de la broche 3 que lorsque la broche de scie est à l'arrêt.** Sinon, l'outil électroportatif pourrait être endommagé.
- A l'aide de la clé pour vis à six pans creux **15**, dévisser la vis de serrage **16** dans le sens de rotation **⚙**.
- Faire basculer le capot de protection à mouvement pendulaire **10** vers l'arrière et le tenir dans cette position.
- Enlever la bride de serrage **17** et la lame de scie **18** de la broche de scie **20**.

Montage de la lame de scie (voir figure A)

Pour changer l'outil, le mieux est de poser l'outil électroportatif sur la partie avant du carter moteur.

- Nettoyer la lame de scie **18** ainsi que toutes les pièces de serrage à monter.
- Faire basculer le capot de protection à mouvement pendulaire **10** vers l'arrière et le tenir dans cette position.
- Placer la lame de scie **18** sur la bride porte-outil **19**. Le sens de coupe des dents (direction de la flèche se trouvant sur la lame de scie) et la flèche se trouvant sur le capot de protection **14** doivent coïncider.
- Poser la bride de serrage **17** et visser la vis de serrage **16** dans le sens de rotation **⚙**. Veiller à la bonne position de montage de la bride porte-outil **19** et de la bride de serrage **17**.
- Appuyer sur la touche de blocage de la broche **3** et la maintenir dans cette position.
- A l'aide de la clé pour vis à six pans creux **15**, visser la vis de serrage **16** dans le sens de rotation **⚙**. Le couple de serrage doit être de 6–9 Nm, ce qui correspond à un serrage à la main plus $\frac{1}{4}$ tour.

Aspiration de poussières/de copeaux▶ **Avant d'effectuer des travaux sur l'outil électroportatif, retirez la fiche de la prise de courant.**

- ▶ Les poussières de matériaux tels que peintures contenant du plomb, certains bois, minéraux ou métaux, peuvent être nuisibles à la santé. Toucher ou aspirer les poussières peut entraîner des réactions allergiques et/ou des maladies respiratoires auprès de l'utilisateur ou de personnes se trouvant à proximité. Certaines poussières telles que les poussières de chêne ou de hêtre sont considérées cancérigènes, surtout en connexion avec des additifs pour le traitement de bois (chromate, lazure). Les matériaux contenant de l'amiante ne doivent être travaillés que par des personnes qualifiées.
 - Si possible, utilisez une aspiration des poussières.
 - Veillez à bien aérer la zone de travail.
 - Il est recommandé de porter un masque respiratoire de la classe de filtre P2.

Respectez les règlements en vigueur dans votre pays spécifiques aux matériaux à traiter.

Montage de l'adaptateur d'aspiration (3 601 E23 ...) (voir figure B)

Enfoncer l'adaptateur d'aspiration **21** sur l'éjecteur de copeaux **13** jusqu'à ce qu'il s'encliquette. Bloquer l'adaptateur d'aspiration **21** en plus avec la vis **22**.

A l'adaptateur d'aspiration **21**, il est possible de brancher un tuyau d'aspiration d'un diamètre de 35 mm.

- ▶ **L'adaptateur d'aspiration ne doit pas être monté sans qu'une aspiration externe soit raccordée.** Le canal d'aspiration risque sinon d'être obturé.
- ▶ **Il est interdit de raccorder un sac à poussières sur l'adaptateur d'aspiration.** Le système d'aspiration risque sinon d'être obturé.

Nettoyer l'adaptateur d'aspiration **21** à intervalles réguliers afin d'assurer une bonne récupération des poussières.

Aspiration externe de copeaux (3 601 E23 ...)

Raccorder le tuyau d'aspiration à un aspirateur (aspirateur). Vous trouverez un tableau pour le raccordement aux différents aspirateurs à la fin des ces instructions d'utilisation.

L'outil électroportatif peut être branché directement sur la prise d'un aspirateur universel Bosch avec commande à distance. L'aspirateur se met automatiquement en marche dès que l'outil électroportatif est mis en service.

L'aspirateur doit être approprié au matériau à travailler.

Pour l'aspiration de poussières particulièrement nuisibles à la santé, cancérigènes ou sèches, utilisez des aspirateurs spéciaux.

Montage de la poignée supplémentaire (voir figure C)

- ▶ **Avant d'effectuer des travaux sur l'outil électroportatif, retirez la fiche de la prise de courant.**

Serrez la poignée supplémentaire **23** à l'aide de la vis **24** sur le capot de protection **14**.

Mise en marche

Mode opératoire

- ▶ **Avant d'effectuer des travaux sur l'outil électroportatif, retirez la fiche de la prise de courant.**

Réglage de la profondeur de coupe (voir figure D)

- ▶ **Ajustez la profondeur de coupe à l'épaisseur de la pièce à travailler.** Il convient que moins de la totalité d'une dent parmi toutes les dents de la lame soit visible sous la pièce à travailler.

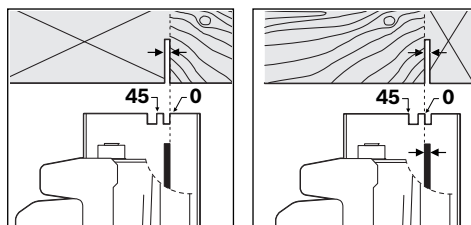
Desserrez la vis papillon **25**. Pour une profondeur de coupe plus petite, éloignez la scie de la plaque de base **11**, pour une profondeur de coupe plus élevée, approchez la scie de la plaque de base **11**. Resserrez fermement la vis papillon **25**.

Réglage de l'angle d'onglet

Nous recommandons de poser l'outil électroportatif sur la partie avant du capot de protection **14**.

Desserrez les vis papillon **6** et **26**. Faire basculer la scie latéralement. Régler la mesure souhaitée sur la graduation **4**. Bien resserrez les vis papillon **6** et **26**.

Marquages de la coupe



Le marquage de coupe 0° (**8**) indique la position de la lame de scie lors d'une coupe à angle droit. Le marquage de coupe 45° (**7**) indique la position de la lame de scie lors d'une coupe à 45°.

Afin d'obtenir une coupe de grande précision dimensionnelle, positionner la scie circulaire conformément aux indications sur la figure sur la pièce à travailler. Le mieux est d'effectuer une coupe d'essai.

Mise en service

- ▶ **Tenez compte de la tension du réseau ! La tension de la source de courant doit coïncider avec les indications se trouvant sur la plaque signalétique de l'outil électroportatif.**

Mise en Marche/Arrêt

(3 601 E23 X../3 601 E23 0B./3 601 E22 X..)

Pour la **mise en service** de l'outil électroportatif, **d'abord** pousser le verrouillage de mise en marche **2** vers l'arrière et **ensuite** appuyer sur l'interrupteur Marche/Arrêt **1** et le maintenir appuyé.

Pour arrêter l'outil **électroportatif** vous relâchez l'interrupteur Marche/Arrêt **1**.

Note : Pour des raisons de sécurité, il n'est pas possible de verrouiller l'interrupteur Marche/Arrêt **1**, mais celui-ci doit rester constamment appuyé pendant le travail de sciage.

Mise en Marche/Arrêt

**(3 601 E23 0C./3 601 E23 0K./
3 601 E23 0L./3 601 E22 0..)**

Pour **mettre** l'outil électroportatif en marche, appuyer sur l'interrupteur Marche/Arrêt **1** et le maintenir vous appuyez.

Pour **bloquer** l'interrupteur Marche/Arrêt appuyé **1**, appuyer sur le bouton de blocage **2**.

Afin **d'arrêter** l'appareil électroportatif, relâcher l'interrupteur Marche/Arrêt **1** ou, s'il est bloqué par le bouton de blocage **2**, appuyer brièvement sur l'interrupteur Marche/Arrêt **1**, puis le relâcher.

Instructions d'utilisation

Protéger les lames contre les chocs et les coups.

Guider l'outil électroportatif de façon régulière et en effectuant une avance modérée dans le sens de la coupe. Une avance trop forte réduit considérablement la durée de vie des outils électroportatifs et peut endommager l'outil électroportatif.

La puissance et la qualité de la coupe dépendent dans une large mesure de l'état et de la forme des dents de la lame de scie. En conséquence, n'utiliser que des lames de scie aiguisées et appropriées aux matériaux à travailler.

Sciage de bois

Le bon choix de la lame de scie dépend de la nature et de la qualité du bois et du type de coupe à savoir longitudinale ou transversale.

La découpe longitudinale de l'épicéa entraîne la formation de longs copeaux en spirale.

Les poussières de hêtre et de chêne sont particulièrement nuisibles à la santé, en conséquence, travailler toujours avec une aspiration de copeaux.

Sciage avec butée parallèle (voir figure E)

La butée parallèle **9** permet des coupes précises le long d'un bord ou des coupes d'une même largeur.

Desserrer la vis papillon **5** et faire passer la graduation de la butée parallèle **9** à travers le guidage de la plaque de base **11**. Régler l'épaisseur de coupe souhaitée sur la graduation se trouvant sur le marquage de coupe correspondant **8** ou **7**, voir chapitre « Marquages de la coupe ». Bien resserrer la vis papillon **5**.

Sciage avec butée auxiliaire (voir figure F)

Pour travailler des pièces de dimensions importantes ou pour couper des bords droits, il est possible de monter une planche ou une barre comme butée auxiliaire sur la pièce à travailler et de guider la scie circulaire avec la plaque de base le long de la butée auxiliaire.

Entretien et service après-vente**Nettoyage et entretien**

- ▶ **Avant d'effectuer des travaux sur l'outil électroportatif, retirez la fiche de la prise de courant.**
- ▶ **Tenez toujours propres l'outil électroportatif ainsi que les ouïes de ventilation afin d'obtenir un travail impeccable et sûr.**

Le capot de protection à mouvement pendulaire doit toujours pouvoir bouger librement et fermer automatiquement. En conséquence, tenir toujours propre les abords du capot de protection à mouvement pendulaire. Enlever les poussières et les copeaux en soufflant avec de l'air comprimé ou à l'aide d'un pinceau.

Pour protéger de la corrosion les lames de scie sans revêtement, il est recommandé d'appliquer une mince couche d'huile exempte d'acide. Avant le sciage, enlever l'huile pour ne pas encrasser le bois.



Les restes de résine ou de colle se trouvant sur la lame de scie entravent la qualité de coupe. En conséquence, nettoyer les lames de scie immédiatement après utilisation.

Si, malgré tous les soins apportés à la fabrication et au contrôle de l'appareil, celui-ci devait avoir un défaut, la réparation ne doit être confiée qu'à une station de service après-vente agréée pour outillage Bosch.

Pour toute demande de renseignement ou commande de pièces de rechange, précisez-nous impérativement le numéro d'article à dix chiffres de l'outil électroportatif indiqué sur la plaque signalétique.

Service après-vente et assistance des clients

Notre service après-vente répond à vos questions concernant la réparation et l'entretien de votre produit et les pièces de rechange. Vous trouverez des vues éclatées ainsi que des informations concernant les pièces de rechange également sous :

www.bosch-pt.com

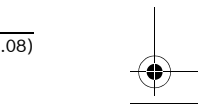
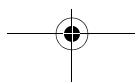
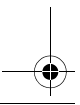
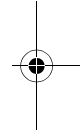
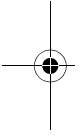
Les conseillers techniques Bosch sont à votre disposition pour répondre à vos questions concernant l'achat, l'utilisation et le réglage de vos produits et leurs accessoires.

Pour avoir des renseignements concernant la garantie, les travaux d'entretien ou de réparation ou les pièces de rechange, veuillez contacter votre détaillant spécialisé.

Élimination des déchets

Les outils électroportatifs, ainsi que leurs accessoires et emballages, doivent pouvoir suivre chacun une voie de recyclage appropriée.

Sous réserve de modifications.



الصيانة والخدمة

خدمة ومشورة الزبائن

يجيب مركز خدمة الزبائن على الأسئلة المطروحة بصدد تصليح وصيانة المنتج وأيضاً بما يخص قطع الغيار. ستجد الرسوم الممددة والمعلومات عن قطع الغيار بموقع:

www.bosch-pt.com

سيساعدك فريق استشاري زبائن بوش بالإجابة على الأسئلة المطروحة بصدد شراء، استخدام، وضبط المنتجات وتوابعها.

يرجى التوجه إلى التاجر المختص بما يتعلّق بأمر الضمان والتصليح وتأمين قطع الغيار.

التخلص من العدة الكهربائية

ينبغي التخلص من العدد الكهربائية والتوابع والعلاف بطريقة منصفة للبيئة عن طريق النفايات القابلة لإعادة التصنيع.

تحفظ بحق إدخال التعديلات.

الصيانة والتنظيف

◀ اسحب القابس من مقبس الشبكة الكهربائية قبل إجراء أي عمل على العدة الكهربائية.

◀ حافظ دائماً على نظافة العدة الكهربائية وشقوق التهوية للعمل بشكل جيد وآمن.

يجب أن يكون غطاء الوقاية المترجح قابلاً للحركة بطلاقة وللإغلاق من تلقاء نفسه دائماً، لذلك ينبغي المحافظة على نظافة مجال ما حول غطاء الوقاية المترجح دائماً. أزل الغبار والرشارة من خلال النفخ بالهواء المضغوط أو بواسطة فرشاة.

يمكن وقاية نصال المنشار الغير مطلية من البدئ بالصدأ بواسطة طبقة رقيقة من الزيت الخالي من الحموض. امسح الزيت قبل البدئ بالشغل وإلا فقد يتسخ الخشب بالبقع.

إن بقايا الراتنج والغراء على نصال المنشار تؤدي إلى القطوع الرديئة، لذلك ينبغي تنظيف نصل المنشار فوراً بعد الاستعمال.

عند حدوث أي خلل بالعدة الكهربائية بالرغم من أنها قد صنعت بعناية فائقة واجتازت اختبارات عديدة توجب إصلاحها في مركز خدمة وكالة عدد بوش الكهربائية.

يرجى ذكر رقم صنف الجهاز بالمراتب العشر بشكل ضروري عند الاستشارة وعند إرسال طلبيات قطع الغيار.

من أجل إطفاء العدة الكهربائية يترك مفتاح التشغيل والإطفاء **1** أو إن كان قد تمّ تثبيته بواسطة مفتاح التثبيت **2** فيضغط مفتاح التشغيل والإطفاء **1** للحظة ثم يترك بعد ذلك.

ملاحظات شغل

ينبغي وقاية نصال المشار من الصدمات والطرقات.

وجه العدة الكهربائية بشكل منتظم وبدفع خفيف إلى اتجاه القطع. إن فرط الدفع إلى الأمام يقصر من مدة صلاحية عدة الشغل كثيراً وقد يضر العدة الكهربائية.

تتعلق قدرة النشر وجودة القطع بشكل كبير بحالة وبشكل أسنان نصل المشار، لذلك ينبغي استخدام نصال المشار الحادة والملائمة للمادة المرغوب معالجتها فقط.

نشر الخشب

يتعلق اختيار نصل المشار الملائم بنوع الخشب وبجودة الخشب وإن كان من المطلوب إجراء القطوع الطولية أو العرضية.

تنتج عن القطوع الطولية في خشب الشربين النشارة الحلزونية الشكل.

إن أغبرة الزان والبلوط شديدة الضرر بالصحة، لذلك ينبغي العمل فقط بالاتصال مع شافطة للأغبرة.

النشر مع مصد التوازي (تراجع الصورة E)

يسمح مصد التوازي **9** بإجراء القطوع الدقيقة على مسار حافة قطعة الشغل أو بقطع الخطوط المتساوية.

حل اللولب المنح **5** وادفع مقياس مصد التوازي **9** من خلال الدليل بصفيحة القاعدة **11**. اضبط قيمة عرض القطع المرغوب بالمقياس على دليل القطع الملائم **8** أو **7**، تراجع الفقرة "تعليم المقاطع". أعد شد اللولب المنحج **5** بإحكام.

النشر مع مصد مساعد (تراجع الصورة F)

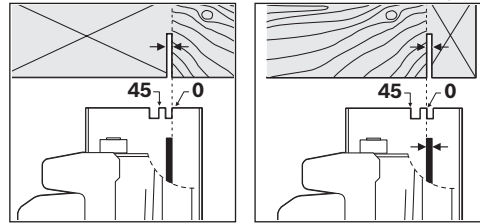
من أجل قص قطع الشغل الكبيرة أو لقص الحواف المستقيمة يمكنك أن تثبت لوح خشبي أو عارضة كمصد مساعد على قطعة الشغل، لتوجه المشار الدائري بواسطة صفيحة القاعدة على مسار المصد المساعد.

ضبط زوايا الشطب المائلة

يفضل ركن العدة الكهربائية على جهة غطاء الوقاية **14** الجهية.

حل اللولبين المنحجين **6** و **26**. أرحج المشار إلى الجانب. اضبط المقاس المرغوب على المقياس **4**. أعد ربط اللولبين المنحجين **6** و **26** بإحكام.

تعليم المقاطع



تشير علامة القطع 0° (**8**) إلى مركز نصل المشار عند إجراء القطوع القائمة الزاوية. تشير علامة القطع 45° (**7**) إلى مركز نصل المشار عند إجراء القطوع بزواوية قدرها 45° .

ركز المشار الدائري على قطعة الشغل كما يظهر ذلك في الصورة، من أجل الحصول على خط قطع دقيق. يفضل إجراء نشر تجريبي.

بديء التشغيل

⚠ انتبه إلى جهد الشبكة الكهربائية! يجب أن يتطابق جهد منبع التيار مع المعلومات المذكورة على لائحة طراز الجهاز.

التشغيل والإطفاء

(3 601 E23 X../3 601 E23 0B./3 601 E22 X..)

من أجل تشغيل العدة الكهربائية يكبس أولاً قفل التشغيل **2** ثم يضغط بعد ذلك مفتاح التشغيل والإطفاء **1** ويحافظ على إبقاءه مضغوطاً.

لإطفاء العدة الكهربائية، يترك مفتاح التشغيل والإطفاء **1**.

ملاحظة: لا يمكن تثبيت مفتاح التشغيل والإطفاء **1** لأسباب متعلقة بالأمان، بل يجب أن يتم ضغطه طوال فترة التشغيل.

التشغيل والإطفاء

(3 601 E23 0C./3 601 E23 0K./3 601 E23 0L./3 601 E22 0..)

اضغط من أجل تشغيل العدة الكهربائية على مفتاح التشغيل والإطفاء **1** وحافظ على إبقاءه مضغوطاً.

لتثبيت مفتاح التشغيل والإطفاء **1** وهو في حالة الانضغاط، يضغط زر التثبيت **2**.

تركيب نصل المشار (تراجع الصورة A)

يفضل ركن العدة الكهربائية على الجهة الجبهية ليكامل المحرك من أجل استبدال العدد.

- نظف نصل المشار **18** وجميع قطع الشد المطلوب تركيبها.
- اقلب غطاء الوقاية المترجح **10** إلى الخلف وامسك به بإحكام.
- ركز نصل المشار **18** على شفة الحوضن **19**. يجب أن يتوافق اتجاه قص الأسنان (اتجاه السهم على نصل المشار) مع سهم اتجاه الدوران على غطاء الوقاية **14**.
- ركب شفة الشد **17** وركب لولب الشد **16** بفتله باتجاه الدوران **20**.
- انتبه إلى تركيب شفة الوصل **19** وشفة الشد **17** بالوضع الصحيح.
- اكبس زر تثبيت محور الدوران **3** وحافظ على إبقائه مكبوساً.
- أحكم بواسطة مفتاح الربط السداسي الحواف داخلياً **15** شد لولب الشد **16** بفتله باتجاه الدوران **20**. على أن يبلغ عزم الشد 6-9 نيوتن متر، مما يوافق قوة شد اليد يضاف إليها 1/4 دورة.

شفط الغبار/الشارة

- ◀ اسحب القابس من مقبس الشبكة الكهربائية قبل إجراء أي عمل على العدة الكهربائية.
- ◀ إن أغبرة بعض المواد كالطلاء الذي يحتوي على الرصاص، وبعض أنواع الخشب والفلزات والمعادن، قد تكون مضرّة بالصحة. إن ملامسة أو استنشاق الأغبرة قد يؤدي إلى ردود فعل زائدة الحساسية و/أو إلى أمراض المجاري التنفسية لدى المستخدم أو لدى الأشخاص المتواجدين على مقربة من المكان.
- تعتبر بعض الأغبرة المعينة، كأغبرة البلوط والزان بأنها مسببة للسرطان، ولا سيما بالاتصال مع المواد الإضافية لمعالجة الخشب (ملح حامض الكروميك، المواد الحافظة للخشب). يجوز أن يتم معالجة المواد التي تحتوي على الأسبستوس من قبل العمال المتخصصين فقط دون غيرهم.
- استخدم شافطة خوائية للغبار قدر الإمكان.
- حافظ على تهوية مكان الشغل بشكل جيد.
- ينصح بارتداء قناع وقاية للتنفس بفتة المرشح P2.
- تراعى الأحكام السارية في بلدكم بالنسبة للمواد المرغوب معالجتها.

تركيب وصلة الشفط المهابتة (... E23 601 3) (تراجع الصورة B)

اغرز وصلة الشفط المهابتة **21** على مقذف الشارة **13** إلى أن تتعاشق. أمّن وصلة الشفط المهابتة **21** إضافة عن ذلك بواسطة اللولب **22**. يمكن أن يربط بوصلة الشفط المهابتة **21** خرطوم شفط بقطر يبلغ 35 مم.

◀ لا يجوز تركيب وصلة الشفط المهابتة إن لم يتم ربط شافطة خارجية. وإلا فقد تنسد قناة الشفط.

◀ لا يجوز وصل كيس الغبار بوصلة الشفط المهابتة. وإلا فقد ينسد نظام الشفط.

ينبغي تنظيف وصلة الشفط المهابتة **21** بشكل منتظم لتأمين عملية شفط مثالية.

الشفط الخارجي (... E23 601 3)

اربط خرطوم الشفط بشافطة غبار خوائية (من التوايح). يعثر على عرض إجمالي للوصل بشافطات غبار خوائية مختلفة بنهاية هذه الكراسية. يمكن ربط العدة الكهربائية مباشرة بمقبس شافطة بوش الخوائية المتعددة الاستعمال المزودة بتجهيزه التشغيل عن بعد. ويتم تشغيلها بشكل آلي عند تشغيل العدة الكهربائية.

يجب أن تصلح شافطة الغبار الخوائية للاستعمال مع مادة الشغل المرغوب معالجتها.

استخدم شافطة غبار خوائية خاصة عند شفط الأغبرة المضرّة بالصحة أو المسببة للسرطان أو الشديدة الجفاف.

تركيب المقبض الإضافي (تراجع الصورة C)

اسحب القابس من مقبس الشبكة الكهربائية قبل إجراء أي عمل على العدة الكهربائية.

ثبت المقبض الإضافي **23** بواسطة اللولب **24** على غطاء الوقاية **14**.

التشغيل

أنواع التشغيل

◀ اسحب القابس من مقبس الشبكة الكهربائية قبل إجراء أي عمل على العدة الكهربائية.

ضبط عمق القطع (تراجع الصورة D)

◀ لائمه عمق القطع مع ثخن قطعة الشغل. ينبغي أن يقل ما يمكن رؤيته تحت قطعة الشغل عن ارتفاع السن الكامل.

حل اللولب الممتنع **25**. لتصغير عمق القطع يسحب المشار عن صفيحة القاعدة **11**، ومن أجل تكبير عمق القطع يضغط المشار نحو صفيحة القاعدة **11**. شد اللولب الممتنع **25** بإحكام.

البيانات الفنية

165	190	190	190	GKS ... Professional	منشار يدوي دائري
E22 0K. E22 X4.	E23 X4.	E23 0B.	E23 0C. E23 0L. E23 0K.	3 601 ...	رقم الصنف
1 050	1 050	1 050	1 050	واط	القدرة الاسمية المقنية
5 000	4 800	4 800	4 800	دقيقة ¹	عدد الدوران اللاهلي
55	66	66	66	مم	عمق القطع الأقصى
36	46	46	46	مم	- بزاوية شطب 0° - بزاوية شطب 45°
•	•	•	•		تثبيت محور الدوران
130 x 240	130 x 260	130 x 260	130 x 260	مم	مقاسات صفيحة القاعدة
6 ½	7 ½	7 ½	7 ½	"	قطر نصل المشار الأقصى
6 ¼	7 ¼	7 ¼	7 ¼	"	قطر نصل المشار الأدنى
1,6	1,6	1,6	1,6	مم	ثخن النصل الأقصى
20	20	19	20	مم	فجوة الحظن
3,6	3,8	3,8	3,8	كغ	الوزن حسب EPTA-Procedure 01/2003
II/□	II/□	II/□	II/□		فئة الوقاية

القيم سارية المفعول للجهود الاسمية 230/240 فولط [U]. قد تختلف هذه القيم عندما يقل الجهد عن ذلك أو بطرازات خاصة بلدان معينة.
يرجى مراعاة رقم الصنف على لافتة طراز عدتك الكهربائية. قد تختلف التسميات التجارية لبعض العدد الكهربائية المفردة.

اختيار نصل المشار

ستجد جدول بنصال المشار المنصوح استعمالها بنهاية هذه الكراسة.

فك نصل المشار (تراجع الصورة A)

يفضل ركن العدة الكهربائية على الجهة الجبهية هيكل المحرك من أجل استبدال العدد.

- اكبس زر تثبيت محور الدوران **3** وحافظ على إبقائه مكبوساً.

◀ اكبس زر تثبيت محور الدوران **3** فقط عندما يكون محور دوران المشار متوقفاً عن الحركة. وإلا فقد تلف العدة الكهربائية.

- فك بواسطة مفتاح الربط السداسي الحواف داخلياً **15** لولب الشد **16** بفنتله باتجاه الدوران **1**.

- اقلب غطاء الوقاية المترجح **10** إلى الخلف وامسك به بإحكام.

- انزع شفة الشد **17** ونصل المشار **18** عن محور دوران المشار **20**.

التركيب

تركيب/ استبدال نصل المشار الدائري

◀ اسحب القابس من مقبس الشبكة الكهربائية قبل إجراء أي عمل على العدة الكهربائية.

◀ ارتد قفازات واقية عند تركيب نصل المشار. يؤدي ملامسة نصل المشار إلى تشكل خطر الإصابة بجروح.

◀ استخدم فقط نصال المشار التي تتوافق مع البيانات المذكورة في كراسة الاستعمال هذه.

◀ لا تستخدم أقراص التجلخ عوضاً عن عدد الشغل أبداً.

وصف العمل



اقرأ جميع الملاحظات التحذيرية والتعليمات. إن ارتكاب الأخطاء عند تطبيق الملاحظات التحذيرية والتعليمات قد يؤدي إلى الصدمات الكهربائية، إلى نشوب الحرائق و/أو الإصابة بجروح خطيرة.

يرجى فتح الصفحة القابلة للثني والتي تتضمن صور الجهاز وتركها مفتوحة أثناء قراءة كراسة الاستعمال.

الاستعمال المخصص

العدة الكهربائية مخصصة لإجراء القطوع الطولية والعرضية بالتركيز الثابت بمسار قطع مستقيم وبزايا شطب مائلة في الخشب. ويمكن أيضاً نشر المعادن الغير حديدية الرقيقة، مثلاً: المقاطع الجانبية، عند استعمال نصال المنشار الملائمة.
لا يجوز معالجة المعادن الحديدية.

الأجزاء المصورة

يستند ترقيم الأجزاء المصورة إلى رسوم العدة الكهربائية الموجودة في صفحة الرسوم التخطيطية.

1 مفتاح التشغيل والإطفاء

2 قفل تشغيل مفتاح التشغيل والإطفاء

(3 601 E23 X../3 601 E23 0B./
3 601 E22 X..)

2 زر تثبيت مفتاح التشغيل والإطفاء

(3 601 E23 0C./3 601 E23 0K./
3 601 E23 0L./3 601 E22 0..)

3 زر تثبيت محور الدوران

4 مقياس زوايا الشطب المائلة

5 لولب مجنح لمصد التوازي

6 لولب مجنح لاختيار زاوية الشطب مسبقاً

7 علامة قطع 45°

8 علامة قطع 0°

9 مصد التوازي

10 غطاء وقاية مترجح

11 صفحة القاعدة

12 ذراع ضبط غطاء الوقاية المترجح

13 مقذف النشارة (... 3 601 E23)

14 غطاء وقاية

15 مفتاح ربط سداسي الحواف داخلياً

16 لولب شد مع فلكة

17 شفة شد

18 نصل المنشار الدائري *

19 شفة وصل

20 محور دوران المنشار

21 وصلة الشفط المهايئة (... 3 601 E23) *

22 لولب تثبيت وصلة الشفط المهايئة (... 3 601 E23) *

23 مقبض إضافي *

24 لولب للمقبض الإضافي *

25 لولب مجنح لضبط عمق القطع مسبقاً

26 لولب مجنح لاختيار زاوية الشطب مسبقاً

27 زوج ملازم *

* إن التواضع الموصوفة أو الموجودة في الرسم ليست محتواة في إطار التوريد الاعتيادي.

- ◀ اقض على المنشار بواسطة يدك الأنتين بإحكام وركز ذراعيك بوضع يسمح لك بصد قوى الصدمات الارتدادية. ابقى دائماً إلى جانب نصل المنشار، لا تركز نصل المنشار بحيث يتواجد على نفس خط جسدك أبداً. قد يقفز المنشار إلى الخلف أثناء الصدمة الارتدادية، إلا أن المستخدم يستطيع أن يسيطر على قوى الصدمات الارتدادية من خلال إجراءات الاحتياط المناسبة.
- ◀ اطفئ المنشار في حال استعصاء نصل المنشار أو انقطاعك عن الشغل وامسكه بهدوء في قطعة الشغل إلى أن يتوقف نصل المنشار عن الحركة. لا تحاول سحب المنشار إلى الخلف أو إلى خارج المقطع أبداً مادام نصل المنشار يتحرك، فقد تنتج عن ذلك صدمة ارتدادية. ابحث عن سبب تكلم نصل المنشار واعمل على إزالته.
- ◀ إن قصدت إعادة تشغيل منشار غاطس في قطعة الشغل، فمركز نصل المنشار في شق القطع وتأكد من عدم تكلم أسنان النثر في قطعة الشغل. إن تكلم نصل المنشار، فقد يتحرك إلى خارج قطعة الشغل أو قد يسبب صدمة ارتدادية عند إعادة تشغيل المنشار.
- ◀ اسند الصفائح الكبيرة لكي تقلل خطر الصدمات الارتدادية الناتجة عن نصل منشار متكلم. قد تنحني الصفائح الكبيرة من جراء وزنها الذاتي. يجب أن تسند الصفائح من الطرفين وأيضاً على مقربة من شق النثر ومن الحافة.
- ◀ لا تستخدم نصال المنشار الثالثة أو النالفة. إن نصال المنشار بالأسنان الثالثة أو المتحاذية بشكل خاطئ تشكل شقوق النثر الضيقة وتؤدي إلى الاحتكاك الزائد وانفراط نصل المنشار وإلى صدمة ارتدادية.
- ◀ أحكم شد ضبط عمق القطع وزاوية القطع قبل البدئ بالنثر. إن تغير الضبط أثناء النثر، فقد ينمط نصل المنشار، فنتج صدمة ارتدادية.
- ◀ احترس بشكل خاص عند إجراء "القطع العاطسة" في الجدران القديمة أو غيرها من المجالات المخفية. قد يستعصي نصل المنشار الغاطس عند النثر في الأماكن المخفية ليشكل صدمة ارتدادية.
- ◀ تفحص انغلاق غطاء الوقاية السفلي بشكل سليم قبل كل استعمال. لا تستخدم المنشار إن لم يكن غطاء الوقاية السفلي قابل للحركة بطلاقة وإن لم ينغلق فوراً. لا تحكم قمط أو ربط غطاء الوقاية السفلي أبداً عندما يكون مفتوحاً. قد يلتوي غطاء الوقاية السفلي إن سقط المنشار على الأرض عن غير قصد. افتح غطاء الوقاية السفلي بواسطة ذراع السحب للخلف وتأكد من أنه قابل للحركة بطلاقة وبأنه لا يلامس لا نصل المنشار ولا أية قطع أخرى عند مجمل زوايا وأعماق القطع.
- ◀ تفحص عمل نابض غطاء الوقاية السفلي. اعرض المنشار على الصيانة قبل استخدامه إن لم يعمل غطاء الوقاية السفلي والنابض بشكل سليم. قد يعمل غطاء الوقاية السفلي بشكل مائل بسبب القطع النالفة والترسبات اللازمة أو بسبب تراكم النشارة.
- ◀ افتح غطاء الوقاية السفلي بواسطة اليد فقط عند إجراء قطع معينة "كقطع الغطس والقطع الزاوية". افتح غطاء الوقاية السفلي بواسطة ذراع السحب للخلف واتركه فور انغراز نصل المنشار في قطعة الشغل. ينبغي أن يعمل غطاء الوقاية السفلي بشكل آلي عند إجراء جميع القطع الأخرى.
- ◀ لا تركز نصل المنشار على منضدة الشغل أو على الأرض دون أن يقوم غطاء الوقاية السفلي بتغطية نصل المنشار. إن نصل المنشار الذي لم يتم وقابته والذي يتابع دورانه يحرك المنشار بعكس اتجاه القطع وينشر كل ما يواجهه بطريقة. تراعى عند ذلك مدة دوران المنشار اللاحقة.
- ◀ لا تمد يدك إلى داخل مقذف النشارة. قد تصاب بجروح عن طريق القطع الدوارة.
- ◀ لا تستعمل بالمنشار فوق الرأس. لن تستطيع أن تسيطر على العدة الكهربائية بشكل كاف بهذا الوضع.
- ◀ استخدم أجهزة تنقيب ملائمة للعمور على خطوط الامداد المخفية أو استعن بشركة الامداد المحلية. إن ملامسة الخطوط الكهربائية قد يؤدي إلى اندلاع النار وإلى الصدمات الكهربائية. إتلاف خط الغاز قد يؤدي إلى الانفجارات. اختراق خط الماء يشكل الأضرار المادية أو قد يؤدي إلى الصدمات الكهربائية.
- ◀ لا تستخدم العدة الكهربائية بشكل مركزي. لم يتم تصميمها للتشغيل على منضدة النثر.
- ◀ لا تستعمل نصال المنشار المصنوعة من فولاذ HSS (الفولاذ العالي القدرة والسريع القطع). إن نصال المنشار هذه قد تكسر بسهولة.
- ◀ لا تنثر المعادن الحديدية. إن النشارة المتوهجة قد تشعل عملية شغف الغبار.
- ◀ اقض على العدة الكهربائية أثناء الشغل بكلتا اليدين بإحكام وقف بثبات. يتم توجيه العدة الكهربائية بكلتا اليدين بأمان أكبر.
- ◀ أمن قطعة الشغل. يتم القبض على قطعة الشغل التي تم تثبيتها بواسطة تجهيزة شد أو بواسطة الملزمة بأمان أكبر مما لو تم المسك بها بواسطة يدك.
- ◀ انتظر إلى أن تتوقف العدة الكهربائية عن الحركة قبل أن تضعها جانباً. قد تتكلم عدة الشغل فتؤدي إلى فقدان السيطرة على العدة الكهربائية.
- ◀ لا تستعمل العدة الكهربائية إن كان الكابل الكهربائي تالف. لا تلمس الكابل التالف واسحب قابس الشبكة الكهربائية إن أصيب الكابل بتلف أثناء مزاوله الشغل. تزيد الكابلات الكهربائية التالفة من خطر الإصابة بصدمة كهربائية.

تعليمات أمان خاصة بالجهاز

- ⚠️ خطر: لا تقرب بيدك من مجال النسر ومن نصل المنشار. اقض بيدك الثانية على المقبض الإضافي أو على هيكل المحرك. عند القبض على المنشار بواسطة اليدين اللتين، فلا يمكن عندئذ إصابتها من قبل نصل المنشار.
- ⚠️ لا تضع يدك تحت قطعة الشغل. لا يمكن لغطاء الوقاية أن يقوم بوقايتها من نصل المنشار تحت قطعة الشغل.
- ⚠️ لائم عمق القطع مع ثخن قطعة الشغل. ينبغي أن يقل ما يمكن رؤيته تحت قطعة الشغل عن ارتفاع السن الكامل.
- ⚠️ لا تحكم القبض على قطعة الشغل المرغوب نشرها بواسطة اليد أو على الساق أبداً. أمن قطعة الشغل بتجهيزه حوض متينة. إن تثبيت قطعة الشغل بشكل جيد هام جداً، كي يتم تخفيض مخاطر ملامسة الجسد أو استعصاء نصل المنشار أو فقدان التحكم.
- ⚠️ المس العدة الكهربائية من قبل سطوح القبض المعزولة فقط، إن كنت تنفذ الأعمال التي من الجائز أن تصيب خلالها عدة الشغل الخطوط الكهربائية المخفية أو كابيل الشبكة الكهربائية الخاص بالجهاز. إن ملامسة خطوط يسري بها جهد كهربائي تكهرب الأجزاء المعدنية بالعدة الكهربائية أيضاً وتؤدي إلى صدمة كهربائية.
- ⚠️ استخدم دائماً مصدر أو دليل توجيه مستقيم عند تنفيذ المقاطع الطولية. يحسن ذلك دقة القطع ويقلل احتمال انقراط نصل المنشار.
- ⚠️ استخدم دائماً نصال المنشار بالمقاس الصحيح وبسجوة الحوض الملائمة (مثلاً: نجمية الشكل أو مستديرة). إن نصال المنشار التي لا تتناسب مع قطع تركيب المنشار تدور بشكل غير دائري وتؤدي إلى فقدان التحكم.
- ⚠️ لا تستخدم فلك أو لولب نصال المنشار التالفة أو الخاطئة أبداً. لقد تم تصميم فلك ولولب نصال المنشار لمشارك هذا بشكل خاص، لأجل الأداء المثالي وأمان التشغيل.
- ⚠️ أسباب الصدمة الارتدادية وكيفية تجنبها:
 - الصدمة الارتدادية هي عبارة عن رد الفعل الفجائي على أثر نصل المنشار الدوار المتكبل أو المستعصي، مما يؤدي إلى انطلاق المنشار الذي فقد التحكم به خارجاً عن قطعة الشغل ومتجهاً نحو المستخدم.
 - إن انقماط أو تكبل نصل المنشار في شق النسر المغلق، فقد يستعصي عن الحركة ويرتد المنشار نحو المستخدم.
 - إن تم لي نصل المنشار في شق النسر أو توجيهه بشكل خاطئ، فقد تتكبل أسنان حافة نصل المنشار الخلفية في سطح قطعة الشغل، مما يؤدي إلى تحرك نصل المنشار خارجاً عن شق النسر، ويقفز المنشار باتجاه المستخدم.
 - إن الصدمة الارتدادية هي نتيجة لاستخدام المنشار بشكل خاطئ أو غير صحيح. ويمكن تجنبها من خلال إجراءات الاحتياط الملائمة اللاحقة الذكر.

4 حسن معاملة واستخدام العدد الكهربائي

- (a) لا تفرط بتحميل الجهاز. استخدم لتنفيذ أشغالك العدة الكهربائية المخصصة لذلك. إنك تعمل بشكل أفضل وأكثر أماناً بواسطة العدة الكهربائية الملائمة في مجال الأداء المذكور.
- (b) لا تستخدم العدة الكهربائية إن كان مفتاح تشغيلها تالف. العدة الكهربائية التي لم تعد تسمح بتشغيلها أو بإطفاؤها خطيرة ويجب أن يتم تصليحها.
- (c) اسحب القابس من المقبس و/ أو انزع المرمك قبل ضبط الجهاز وقبل استبدال قطع التوايح أو قبل وضع الجهاز جانباً. تمنع إجراءات الاحتياط هذه تشغيل العدة الكهربائية بشكل غير مقصود.
- (d) احتفظ بالعدد الكهربائية التي لا يتم استخدامها بعيداً عن متال الأطفال. لا تسمح باستخدام العدة الكهربائية لمن لا خبرة له بها أو لمن لم يقرأ تلك التعليمات. العدد الكهربائية خطيرة إن تم استخدامها من قبل أشخاص دون خبرة.
- (e) اعتن بالعدة الكهربائية بشكل جيد. تفحص عما إذا كانت أجزاء الجهاز المتحركة تعمل بشكل سليم وبأنها غير مستعصية عن الحركة أو إن كانت هناك أجزاء مكسورة أو تالفة للدرجة تؤثر فيها على حسن أداء العدة الكهربائية. ينبغي تصليح هذه الأجزاء التالفة قبل إعادة تشغيل الجهاز. الكثير من الحوادث مصدرها العدد الكهربائية التي تم صيانتها بشكل رديء.
- (f) حافظ على إبقاء عدد القطع نظيفة وحادة. إن عدد القطع ذات حواف القطع الحادة التي تم صيانتها بعناية تتكبل بشكل أقل ويمكن توجيهها بشكل أيسر.
- (g) استخدم العدد الكهربائية والتوايح وعدد الشغل وإلخ. حسب هذه التعليمات. تراعى أثناء ذلك شروط الشغل والعمل المراد تنفيذه. استخدام العدد الكهربائية لغير الأشغال المخصصة لأجلها قد يؤدي إلى حدوث الحالات الخطيرة.

5 الخدمة

- (a) اسمح بتصليح عدتك الكهربائية فقط من قبل العمال المتخصصين فقط واستعمل قطع الغيار الأصلية. يؤمن ذلك المحافظة على أمان الجهاز.

ملاحظات تحذيرية عامة للعدد الكهربائية

تحذير

اقرأ جميع الملاحظات التحذيرية والتعليمات. إن ارتكاب الأخطاء عند تطبيق الملاحظات التحذيرية والتعليمات قد يؤدي إلى الصدمات الكهربائية، إلى نشوب الحرائق أو الإصابة بجروح خطيرة.

احتفظ بجميع الملاحظات التحذيرية والتعليمات للمستقبل.

يقصد بمصطلح "العدة الكهربائية" المستخدم في الملاحظات التحذيرية، العدد الكهربائي الموصولة بالشبكة الكهربائية (بواسطة كابل الشبكة الكهربائية) وأيضاً العدد الكهربائي الزودة بمركم (دون كابل الشبكة الكهربائية).

1 الأمان بمكان الشغل

(a) حافظ على نظافة وحسن إضاءة مكان شغلك. الفوضى في مكان الشغل ومجالات العمل الغير مضاءة قد تؤدي إلى حدوث الحوادث.

(b) لا تشغل بالعدة الكهربائية في محيط معرض لخطر الانفجار والذي تتوفر فيه الوسائط أو الغازات أو الأبخرة القابلة للاشتعال. العدد الكهربائي تشكل الشرر الذي قد يتطاير، فيشعل الأبخرة والأبخرة.

(c) حافظ على بقاء الأطفال وغيرهم من الأشخاص على بعد عندما تستعمل العدة الكهربائية. قد تفقد السيطرة على الجهاز عند التلوي.

2 الأمان الكهربائي

(a) يجب أن يتلائم قابس وصل العدة الكهربائية مع المقبس. لا يجوز تغيير القابس بأي حال من الأحوال. لا تستعمل القوابس المهيأة مع العدد الكهربائية المؤرضة تأريض وقائي. تخفّض القوابس التي لم يتمّ تغييرها والمقابس الملائمة من خطر الصدمات الكهربائية.

(b) تجنب ملامسة السطوح المؤرضة كالأنابيب ورادياتورات التدفئة والمدافئ أو البرادات بواسطة جسمك. يزداد خطر الصدمات الكهربائية عندما يكون جسمك مؤرض.

(c) أبعاد العدة الكهربائية عن الأمطار أو الرطوبة. يزداد خطر الصدمات الكهربائية إن تسرب الماء إلى داخل العدة الكهربائية.

(d) لا نسيء استعمال الكابل لحمل العدة الكهربائية أو لتعليقها أو لسحب القابس من المقبس. حافظ على إبعاد الكابل عن الحرارة والزيوت والحواف الحادة أو عن أجزاء الجهاز المتحركة. تزيد الكابلات التالفة أو المشابكة من خطر الصدمات الكهربائية.

(e) استخدم فقط كابلات التمديد الصالحة للاستعمال الخارجي أيضاً عندما تشغل بالعدة الكهربائية في الخلاء. يخفض استعمال كابل تمديد مخصص للاستعمال الخارجي من خطر الصدمات الكهربائية.

(f) إن لم يكن بالإمكان تجنب تشغيل العدة الكهربائية في الأجواء الرطبة، فاستخدم مفتاح للوقاية من التيار المتخلف. إن استخدام مفتاح للوقاية من التيار المتخلف يقلل خطر الصدمات الكهربائية.

3 أمان الأشخاص

(a) كن يقظاً وانتبه إلى ما تفعله وقم بالعمل بواسطة العدة الكهربائية بتعقل. لا تستخدم عدة كهربائية عندما تكون متمب أو عندما تكون تحت تأثير المخدرات أو الكحول أو الأدوية. عدم الانتباه للحظة واحدة عند استخدام العدة الكهربائية قد يؤدي إلى إصابات خطيرة.

(b) ارتد عتاد الوقاية الخاص وارتد دائماً نظارات واقية. يجد ارتداء عتاد الوقاية الخاص، كقناع الوقاية من الغبار وأحذية الأمان الواقية من الانزلاق والخوذ أو واقية الأذنين، حسب نوع واستعمال العدة الكهربائية، من خطر الإصابة بجروح.

(c) تجنب التشغيل بشكل غير مقصود. تأكد من كون العدة الكهربائية مطفأة قبل وصلها بإمداد التيار الكهربائي و/ أو بالمركم، وقبل رفعها أو حملها. إن كنت تضع إصبعك على المفتاح أثناء حمل العدة الكهربائية أو إن وصلت الجهاز بالشبكة الكهربائية عندما يكون قيد التشغيل، فقد يؤدي ذلك إلى حدوث الحوادث.

(d) انزع عدد الضبط أو مفتاح الربط قبل تشغيل العدة الكهربائية. قد تؤدي العدة أو المفتاح المتواجد في جزء دوار من الجهاز إلى الإصابة بجروح.

(e) تجنب أوضاع الجسد الغير طبيعية. قف بأمان وحافظ على توازنك دائماً. سيسمح لك ذلك من السيطرة على الجهاز بشكل أفضل في المواقف الغير متوقعة.

(f) ارتد ثياب مناسبة. لا ترتد الثياب الفضفاضة أو الحلى. حافظ على إبقاء الشعر والثياب والقفازات على بعد عن أجزاء الجهاز المتحركة. قد تتشابك الثياب الفضفاضة والحلى والشعر الطويل بالأجزاء المتحركة.

(g) إن جاز تركيب تجهيزات شطف وتجميع الغبار، فتأكد من أنها موصولة وبأنه يتم استخدامها بشكل سليم. قد يقلل استخدام تجهيزات لشطف الأبخرة من المخاطر الناتجة عن الأبخرة.

مراقبت و سرویس

مراقبت، تعمیر و تمیز کردن دستگاه

◀ پیش از انجام هرگونه کاری بر روی ابزار الکتریکی، دوشاخه اتصال آنرا از داخل پریز برق بیرون بکشید.

◀ ابزار الکتریکی و شیارهای تهویه آنرا تمیز نگاه دارید. تا ایمنی شما در کار تضمین گردد.

حفاظ ایمنی خودکار باید همواره آزادانه قابل حرکت باشد و بتواند بطور خودکار بسته شود. به این دلیل محدوده اطراف حفاظ ایمنی خودکار را همیشه تمیز نگهدارید. گرد و غبار و همچنین تراشه و خاک اره را بوسیله دمیدن با فنشار هوا و یا توسط یک قلم مو یا برس نرم پاک کنید.

تیغه اره های بدون پوشش را میتوان بوسیله یک لایه نازک روغن بدون اسید در برابر زنگ زدن محافظت نمود. پیش از اره کاری، روغن را پاک کنید. زیرا احتمال لک شدن چوب وجود دارد.

صمغ درخت و یا بقایای چسب چوب بر روی تیغه اره باعث کاهش کیفیت برش میشود. از اینرو تیغه اره را بلافاصله پس از استفاده تمیز کنید.

در صورت از کار افتادن ابزار الکتریکی، با وجود دقت بسیاری که در مراحل تولید و آزمایش آن صورت گرفته است، باید برای تعمیر آن به یکی از تعمیرگاه های مجاز و خدمات پس از فروش ابزارآلات برقی بوش مراجعه کنید.

برای هرگونه سؤال و یا سفارش ابزار یدکی و متعلقات، حتماً شماره فنی ده رقمی کالا را مطابق برجسب روی ابزار برقی اطلاع دهید.

خدمات پس از فروش و مشاوره با مشتریان

دفتر خدمات پس از فروش به سئوالات شما در باره تعمیرات، سرویس و همچنین قطعات یدکی و متعلقات پاسخ خواهد داد. تصاویر و اطلاعات در باره قطعات یدکی و متعلقات را میتوانید در سایت نامبرده ذیل جستجو نمایید:

www.bosch-pt.com

تیم مشاور خدمات پس از فروش شرکت بوش با کمال میل به سئوالات شما در باره خرید، طرز استفاده و تنظیم محصولات و متعلقات پاسخ میدهد.

برای استفاده از گارانتی، تعمیر دستگاه و تهیه ابزار یدکی فقط به فروشنده متخصص مراجعه کنید.

از دور خارج کردن دستگاه

ابزار برقی، متعلقات و بسته بندی آن، باید طبق مقررات حفظ محیط زیست از دور خارج و بازیافت شوند.

حق هرگونه تغییری محفوظ است.

راه اندازی و بکارگیری دستگاه

◀ به ولتاژ شبکه برق توجه کنید! ولتاژ منبع جریان برق باید با مقادیر موجود بر روی برچسب ابزار الکتریکی مطابقت داشته باشد.

نحوه روشن و خاموش کردن ابزار برقی

(3 601 E23 X../3 601 E23 0B./
3 601 E22 X..)

برای روشن کردن ابزار برقی، نخست کلید ایمنی مانع روشن شدن 2 را فعال کنید. سپس کلید قطع و وصل 1 را فشار دهید و آنرا در همین حالت نگهدارید.

برای خاموش کردن ابزار برقی، کلید قطع و وصل 1 را رها کنید.

تذکر: بنا به دلایل ایمنی، کلید قطع و وصل 1 را نمی توان تثبیت و قفل کرد. بلکه آنرا باید در حین کار همواره در حالت فشرده نگهداشت.

نحوه روشن و خاموش کردن ابزار برقی

(3 601 E23 0C./3 601 E23 0K./
3 601 E23 0L./3 601 E22 0..)

برای روشن کردن ابزار برقی، کلید قطع و وصل 1 را فشار داده و آنرا در حالت فشرده نگهدارید.

برای قفل و تثبیت کلید قطع و وصل 1 در حالی که به داخل فشرده باشد، دکمه تثبیت 2 را فشار دهید.

برای خاموش کردن ابزار برقی، کلید قطع و وصل 1 را رها کنید و اگر کلید قطع و وصل بوسیله دکمه تثبیت 2 ثابت مانده باشد، کلید قطع و وصل 1 را کمی فشار داده و آنرا دوباره رها کنید.

راهنمایی های عملی

تیغه های اره را در برابر ضربه و فشار محافظت کنید.

ابزار برقی را بطور یکنواخت و متعادل با فشار کمی به جلو در جهت برش هدایت کنید. اعمال فشار بیش از حد به جلو، منجر به کاهش شدید و سریع طول عمر ابزار میشود و میتواند به ابزار برقی آسیب برساند.

قدرت برش و کیفیت برش عمدتاً به وضعیت و فرم دندانه های تیغه اره بستگی دارند. از این رو فقط از تیغه های اره تیز و متناسب با جنس قطعه کار مورد نظر استفاده کنید.

نحوه اره کردن چوب

انتخاب صحیح تیغه اره بر حسب نوع چوب، کیفیت چوب و اینکه برش طولی یا برش عرضی صورت میگیرد، انجام میشود.

در برش های طولی چوب کاج تراشه های طویل و مارپیچ ایجاد میشود.

گرد و غبار و تراشه حاصله از چوب درخت بلوط و زان برای سلامتی مضرند. از اینرو به هنگام کار با این مواد باید از دستگاه مکش استفاده کنید.

نحوه اره کاری با خط کش راهنمای برش موازی
(رجوع شود به تصویر E)

خط کش راهنمای موازی 9، برش کاملاً دقیق در امتداد لبه قطعه کار و همچنین برش های موازی قطعات و باریکه های یک اندازه را امکان پذیر میسازد.

پیچ خروسکی 5 را شل کنید و درجه بندی برای خط کش راهنمای موازی 9 را از داخل شیار راهنما در (صفحه پایه) کفی 11 به جلو حرکت بدهید. عرض برش مورد نیاز را بر مبنای مقدار عددی آن، بر روی علامت گذاری برش 8 و یا 7 تنظیم کنید. رجوع شود به «نحوه علامت گذاری های برش». سپس پیچ خروسکی 5 را مجدداً سفت کنید.

نحوه اره کاری بوسیله راهنمای کمکی (رجوع شود به تصویر F)

برای کار بر روی قطعات بزرگ و یا برای برش لبه های مستقیم میتوانید از یک شپشی مانند یک تخته باریک بعنوان خط کش راهنمای برش به این ترتیب استفاده کنید که آنرا به قطعه کار محکم کنید و اره گرد بر را با کفی آن در امتداد خط کش راهنمای کمکی حرکت دهید.

طرز کار با دستگاه

انواع کار

◀ پیش از انجام هرگونه کاری بر روی ابزار الکتریکی، دوشاخه اتصال آنرا از داخل پریز برق بیرون بکشید.

نحوه تنظیم عمق برش (رجوع شود به تصویر D)

◀ میزان عمق برش را با ضخامت قطعه کار متناسب و تنظیم کنید. بایستی کمتر از ارتفاع یک دندان کامل تیغه اره از زیر قطعه کار قابل رؤیت باشد.

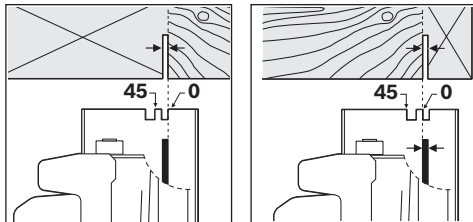
پیچ خروسی 25 را کمی آزاد (شل) کنید. برای برش های کم عمق، اره را از صفحه پایه (کفی) 11 دور کنید (اره را به صفحه پایه فشار ندهید) و برای انجام برش های عمیق، اره را بطرف صفحه پایه (کفی) 11 فشار بدهید. سپس پیچ خروسی 25 را مجدداً محکم کنید.

تنظیم زاویه برش

بهتر است ابزار برقی را بر روی پیشانی (سطح خارجی) قاب محافظ 14 قرار دهید.

پیچ های خروسی 6 و 26 را شل کنید. اره را به پهلو بچرخانید. اندازه مورد نیاز را از روی جدول درجه بندی زاویه برش 4 تنظیم کنید. پیچ های خروسی 6 و 26 را مجدداً سفت کنید.

نحوه علامت گذاری های برش



علامت گذاری برش 0° درجه (8)، وضعیت تیغه اره را در برش با زاویه قائمه نشان میدهد. علامت گذاری برش 45° درجه (7)، وضعیت تیغه اره را در برش با زاویه 45° درجه نشان میدهد.

برای انجام یک برش دقیق طبق اندازه، اره را طبق تصویر بر روی قطعه کار قرار دهید. بهتر است یک برش آزمایشی انجام دهید.

نحوه مونتاژ آداپتور دستگاه مکش (... E23 601 3) (رجوع شود به تصویر B)

آداپتور دستگاه مکش (جارو برقی) 21 را در خروجی تراشه و خاک اره 13 طوری قرار بدهید که در آن بخوبی جا بیفتد. مضافاً آداپتور دستگاه مکش 21 را بوسیله پیچ 22 محکم کنید. به آداپتور دستگاه مکش 21 میتوان یک شلنگ مکش با قطر 35 mm میلیمتر متصل نمود.

◀ آداپتور دستگاه مکش نباید بدون اتصال به دستگاه مکش مجزا (جارو برقی) مونتاژ شود. در غیر اینصورت کانال مکش مسدود میشود.

◀ به آداپتور دستگاه مکش نباید کیسه جمع آوری گرد و غبار و تراشه متصل نمود. در غیر اینصورت سیستم مکش مسدود میشود.

برای تضمین مکش به بهترین وجه، باید آداپتور دستگاه مکش 21 را بطور منظم تمیز کرد.

مکش گرد و غبار توسط مکنده خارجی مجزا (... E23 601 3)

شلنگ مکش را به یک جارو برقی (متعلقات) متصل کنید. نموداری برای اتصال به دستگاههای مکش/جارو برقی های مختلف در انتهای این دفترچه راهنما آمده است.

این ابزار برقی را میتوان مستقیماً به یک پریز برای جارو برقی همه منظوره ساخت بوش، مجهز به کنترل استارت از راه دور متصل نمود. این دستگاه مکش با روشن کردن ابزار برقی بطور اتوماتیک روشن میشود. دستگاه مکنده باید برای قطعه کار مورد نظر مناسب باشد.

برای مکش گرد و غباری که برای سلامتی مضرند و سرطان زا هستند و یا برای مکش تراشه های خشک باید از یک دستگاه مکنده مخصوص استفاده کنید.

نحوه مونتاژ دسته کمکی (رجوع شود به تصویر C)

◀ پیش از انجام هرگونه کاری بر روی ابزار الکتریکی، دوشاخه اتصال آنرا از داخل پریز برق بیرون بکشید.

دسته کمکی 23 را بوسیله پیچ 24 به قاب محافظ 14 نصب کنید.

نصب

نحوه جاگذاری/تعویض تیغه اره

◀ پیش از انجام هرگونه کاری بر روی ابزار الکتریکی، دوشاخه اتصال آنرا از داخل پریز برق بیرون بکشید.

◀ به هنگام مونتاژ تیغه اره از دستکش ایمنی استفاده کنید. در تماس با تیغه اره خطر آسیب دیدگی و جراحت وجود دارد.

◀ فقط از تیغه اره ای استفاده کنید که مشخصات فنی آن با ارقام فنی قید شده در این دستورالعمل کاربرد مطابقت دارد.

◀ به هیچ وجه از صفحه سنگ بعنوان ابزار برش استفاده نکنید.

انتخاب تیغه اره

نموداری از انواع تیغه اره های پیشنهادی در انتهای این دفترچه راهنما آمده است.

نحوه باز کردن (پیاپی کردن) تیغه اره (رجوع شود به تصویر A)

برای تعویض ابزار برش بهتر است ابزار برقی را بر روی پیشانی (سطح خارجی) بدنه موتور قرار بدهید.

– دکمه تثبیت و قفل محور 3 دستگاه را فشار بدهید و آنرا در حالت فشرده نگه دارید.

◀ دکمه تثبیت و قفل محور 3 دستگاه را فقط در صورت متوقف بودن کامل محور (شفاف) دستگاه اره بکار برید. در غیر اینصورت امکان آسیب دیدن ابزار برقی وجود دارد.

– بوسیله آچار آلن شش گوش 15 پیچ مهر 16 را در جهت چرخش ① بچرخانید و آنرا بیرون آورید.

– حفاظ ایمنی خودکار 10 را به عقب برگردانید و آنرا محکم نگه دارید.

– فلانژ مهر 17 و تیغه اره 18 را از محور (شفاف) اره 20 بردارید.

نحوه مونتاژ تیغه اره (رجوع شود به تصویر A)

– برای تعویض ابزار برش، بهتر است ابزار برقی را بر روی پیشانی (سطح خارجی) بدنه موتور قرار بدهید.

– تیغه اره 18 و همچنین کلیه قطعات نگهدارنده برای نصب را تمیز کنید.

– حفاظ ایمنی خودکار 10 را به عقب برگردانید و آنرا محکم نگه دارید.

– تیغه اره 18 را بر روی فلانژ ابزارگیر 19 قرار بدهید. جهت برش ندانه های تیغه اره (جهت فلش بر روی تیغه اره) و فلش جهت چرخش روی حفاظ ایمنی تیغه 14 باید بر هم منطبق باشند.

– فلانژ مهر 17 را در جای خود قرار دهید و با چرخاندن پیچ مهر 16 در جهت چرخش ② آنرا محکم کنید. به وضعیت جاگذاری درست فلانژ ابزارگیر 19 و فلانژ مهر 17 توجه داشته باشید.

– دکمه تثبیت و قفل محور 3 دستگاه را فشار بدهید و آنرا در حالت فشرده نگه دارید.

– بوسیله آچار آلن شش گوش 15 پیچ نگهدارنده 16 را در جهت چرخش ② بچرخانید و آنرا محکم کنید. گشتاور مهر باید مابین 6-9 Nm نیوتن متر. به عبارت دیگر معادل با میزان سفت کردن پیچ بوسیله دست به علاوه ¼ دور باشد.

مکش گرد، براده و تراشه

◀ پیش از انجام هرگونه کاری بر روی ابزار الکتریکی، دوشاخه اتصال آنرا از داخل پریز برق بیرون بکشید.

◀ گرد و غبار موادی مانند رنگ های دارای سرب، بعضی از چوب ها، مواد معدنی و فلزات میتوانند برای سلامتی مضر باشند. دست زدن و یا تنفس کردن گرد و غبار ممکن است که باعث بروز آلرژی و یا سبب بیماری مجاری تنفسی شخص استفاده کننده و یا افرادی که در آن نزدیکی میباشند بشود.

گرد و غبارهای مخصوصی مانند گرد و غبار درخت بلوط و یا درخت راش سرطان زا هستند. بخصوص ترکیب آنها با سایر موادی که برای کار بر روی چوب (کرومات، مواد برای محافظت از چوب) بکار برده میشوند. فقط افراد متخصص مجازند با موادی که دارای آزیست میباشند کار کنند.

– حتی الامکان از یک مکنده گرد و غبار استفاده کنید.

– توجه داشته باشید که محل کار شما از تهبه هوای کافی برخوردار باشد.

– توصیه میشود از ماسک تنفسی ایمنی با درجه فیلتر P2 استفاده کنید.

به قوانین و مقررات معتبر در کشور خود در رابطه با استفاده از مواد و قطعات کاری توجه کنید.

- 8 علامت گذاری برش زاویه 0° درجه
- 9 خط کش راهنمای موازی
- 10 حفاظ ایمنی خودکار (متحرک)
- 11 کفی (صفحه پایه)
- 12 اهرم جابجائی و تنظیم حفاظ ایمنی خودکار
- 13 محل خروج تراشه و خاک اره (3 601 E23 ...)
- 14 قاب محافظ
- 15 آچار آلن شنش گوش
- 16 پیچ تثبیت و مهار با واشر
- 17 فلانژ مهار/فلانژ نگهدارنده
- 18 تیغه اره *
- 19 فلانژ ابزار گیر/فلانژ مونتاز
- 20 شفت اره/محور اره
- 21 آداپتور دستگاه مکش (... 3 601 E23) *
- 22 پیچ تثبیت آداپتور (تبدیل) دستگاه مکش (... 3 601 E23) *
- 23 دسته کمکی *
- 24 پیچ برای دسته کمکی *
- 25 پیچ خروسکی برای انتخاب و تنظیم عمق برش
- 26 پیچ خروسکی برای انتخاب زاویه فارسی بر
- 27 ست گیره پیچی *
- * کلیه متعلقاتی که در تصویر و یا در متن آمده است، بطور معمول همراه دستگاه ارائه می شود.

مشخصات فنی

165	190	190	190	GKS ... Professional	اره گرد بر (دستی)
E22 OK. E22 X4.	E23 X4.	E23 0B.	E23 0C. E23 0L. E23 0K.	3 601 ...	شماره فنی
1 050	1 050	1 050	1 050	W	قدرت ورودی نامی
5 000	4 800	4 800	4 800	rpm	سرعت در حالت آزاد
55	66	66	66	mm	حداکثر عمق برش - در زاویه فارسی بر (برش زاویه دار) 0° درجه
36	46	46	46	mm	- در زاویه فارسی بر (برش زاویه دار) 45° درجه
●	●	●	●		قفل محور (شفت) دستگاه
130 x 240	130 x 260	130 x 260	130 x 260	mm	ابعاد صفحه پایه (کفی)
6 ½	7 ½	7 ½	7 ½	"	حداکثر قطر تیغه اره
6 ¼	7 ¼	7 ¼	7 ¼	"	حداقل قطر تیغه اره
1,6	1,6	1,6	1,6	mm	حداکثر ضخامت تیغه اره
20	20	19	20	mm	قطر سوراخ میانی تیغه
3,6	3,8	3,8	3,8	kg	وزن مطابق استاندارد EPTA-Procedure 01/2003
II/□	II/□	II/□	II/□		پایه ایمنی

مقادیر فوق برای ولتاژ نامی V 230/240 [U] معتبر و مجاز میباشند. این اندازه ها ممکن است در ولتاژهای پائین تر و مدل های دیگر دستگاه. برای کشورهای دیگر در خصوص آن کشور مربوطه تغییر کنند.

لطفاً به شماره فنی روی برچسب ابزار برقی خود توجه کنید. نامهای جاری ابزارهای برقی ممکن است متفاوت باشند.

◀ در صورتیکه کابل ابزار برقی آسیب دیده باشد، از آن استفاده نکنید. از تماس با کابل آسیب دیده خود داری کرده و در صورت آسیب دیدن کابل دستگاه در حین کار، دوشاخه اتصال را از داخل پریز برق بیرون آورید. کابل های آسیب دیده، خطر برق گرفتگی را افزایش میدهند.

تشریح عملکرد دستگاه

کلیه دستورات ایمنی و راهنمایی ها را مطالعه کنید. اشتباهات ناشی از عدم رعایت این دستورات ایمنی ممکن است باعث برق گرفتگی، سوختگی و یا سایر جراحات های شدید شود.



لطفاً صفحه تا شده این دفترچه راهنما را که حاوی تصویر دستگاه است، باز کنید و هنگام خواندن این دفترچه راهنما، آنرا باز نگهدارید.

موارد استفاده از دستگاه

این ابزار برقی برای برش های طولی و عرضی قطعات چوبی با مسیر برش مستقیم و همچنین برش های زاویه دار (فارسی بری) در حالیکه دستگاه بطور محکم بر روی قطعه کار قرار گرفته شده باشد، در نظر گرفته شده است. بوسیله تیغه های اهر مناسب میتوان با این ابزار برقی فلزات نازک غیرآهنی از جمله پروفیل ها را نیز اهر کرد. کار برد این ابزار برقی بر روی فلزات آهنی مجاز نمی باشد.

اجزاء مصور دستگاه

شماره های اجزاء دستگاه که در تصویر مشاهده میشود، مربوط به شرح و تصویر ابزار الکتریکی می باشد که تصویر آن در این دفترچه آمده است.

- 1 کلید قطع و وصل
- 2 کلید ایمنی مانع روشن شدن کلید قطع و وصل
(3 601 E23 X../3 601 E23 0B./
3 601 E22 X..)
- 2 دکمه قفل و تثبیت کلید قطع و وصل دستگاه
(3 601 E23 0C./3 601 E23 0K./
3 601 E23 0L../3 601 E22 0..)
- 3 دکمه فشاری قفل و تثبیت محور دستگاه
- 4 درجه بندی زاویه فارسی بر
- 5 پیچ خروסקی برای خط کش راهنمای موازی
- 6 پیچ خروסקی برای انتخاب زاویه فارسی بر
- 7 علامت گذاری برش زاویه 45° درجه

◀ حفاظ ایمنی پائینی تیغه را فقط در برش های مخصوص، از جمله «برش های عمقی و برش های زاویه دار» بوسیله دست باز کنید. حفاظ ایمنی پائینی تیغه را بوسیله اهرم مربوطه قابل برگشت باز کنید و به محض اینکه تیغه اهر داخل قطعه کار قرار گرفت، آنرا رها کنید. در سایر انواع اهر کاری حفاظ ایمنی پائینی تیغه باید بطور اتوماتیک کار کند.

◀ توجه داشته باشید که دستگاه اهر را روی میز کار و یا روی زمین قرار ندهید. بدون اینکه حفاظ ایمنی پائینی، تیغه اهر را پوشانده باشد، تیغه اهر بدون حفاظ و در حال حرکت باعث حرکت اهر در خلاف جهت برش میشود و هر آنچه را که سر راهنش قرار بگیرد، میبرد. توجه داشته باشید که تیغه پس از خاموش کردن دستگاه نیز مدتی به حرکت خود ادامه میدهد.

◀ از تماس دست با محل خروج تراشه و خاک اهر پرهیز کنید. قطعات در حال چرخش ممکن است باعث آسیب دیدگی شما بشوند.

◀ دستگاه اهر هنگام کار، نباید بالای سر قرار بگیرد. زیرا در اینصورت نمیتوانید کنترل کافی نسبت به ابزار برقی داشته باشید.

◀ برای یافتن لوله های پنهان تأسیسات، از دستگاه های مناسب آن استفاده کنید و در صورت نیاز با شرکت های کارهای تأسیسات ساختمان محل تماس بگیرید. تماس با سیم های برق میتواند باعث آتشسوزی و یا برق گرفتگی شود. آسیب دیدن لوله گاز می تواند باعث ایجاد انفجار شود. سوراخ شدن لوله آب، باعث خسارت و یا برق گرفتگی میشود.

◀ از این ابزار برقی بطور ثابت و ساکن در محلی استفاده نکنید. این ابزار برقی برای کار بر روی میز اهر در نظر گرفته نشده است.

◀ تیغه اهر های از جنس فولاد HSS را مورد استفاده قرار ندهید. اینگونه تیغه اهر ها به آسانی میشکنند.

◀ از اهر کردن فلزات آهنی خود داری کنید. حرارت تراشه های سرخ میتواند مکش گرد و غبار را مشتعل کند.

◀ ابزار الکتریکی را هنگام کار، با هر دو دست محکم گرفته و جایگاه مطمئنی برای خود انتخاب کنید. ابزار برقی را میتوان با دو دست بهتر و مطمئن تر بکار گرفت و آنرا هدایت کرد.

◀ قطعه کار را محکم کنید. در صورتیکه قطعه کار به وسیله تجهیزات نگهدارنده و یا بوسیله گیره محکم شده باشد، در اینصورت قطعه کار مطمئن تر نگه داشته میشود. تا اینکه بوسیله دست نگهداشته شود.

◀ قبل از کنار گذاشتن ابزار برقی صبر کنید تا دستگاه بطور کامل از کار و حرکت بایستد. ابزار قرار گرفته روی دستگاه ممکن است به قطعه کار گیر کرده و کنترل ابزار برقی از دست شما خارج شود.

◀ اگر بخواهید اره را که داخل قطعه کار قرار دارد مجدداً روشن کنید. در اینصورت تیغه اره را در وسط شکاف برش قرار دهید. سپس کنترل کنید که دندان‌های تیغه اره در قطعه کار گیر نکرده باشد. چنانچه تیغه اره گیر کرده باشد. آنگاه هنگام روشن کردن مجدد دستگاه. احتمال بیرون آمدن اره از قطعه کار وجود دارد و یا می‌تواند با روشن کردن مجدد تیغه اره منجر به ضربه برگشتی (ضربه زن) بشود.

◀ سطوح و قطعات بزرگ را خوب مهار کنید تا خطر پس زدن و یا گیر کردن تیغه اره تقلیل یابد. قطعات و سطوح بزرگ ممکن است تحت تأثیر وزن خود (از وسط) خم بشوند. این گونه قطعات بزرگ را باید از هر دو طرف. هم در نزدیکی شکاف برش و هم در کناره و لبه قطعه بخوبی مهار کرد.

◀ از بکار بردن تیغه اره کند و یا آسیب دیده خودداری کنید. تیغه اره های کند قرار نداشتن صحیح آن و یا تیغه اره هایی با دندان هائی نامناسب و نادرست. باعث ایجاد یک شکاف برش تنگ و در نتیجه منجر به افزایش اصطکاک. گیر کردن تیغه اره و ضربه برگشتی دستگاه میشوند.

◀ قبل از شروع به اره کاری. نخست عمق برش و زاویه برش را تنظیم کنید. چنانچه در حین اره کاری. تنظیم را تغییر دهید. در آنصورت امکان گیر کردن تیغه اره و ضربه برگشتی دستگاه وجود دارد.

◀ بخصوص در «برش های عمقی» در دیوارهای موجود و یا در محدوده فاقد دید کافی. باید جنبه احتیاط را کاملاً رعایت کنید. تیغه اره ممکن است به هنگام برش های عمقی در قطعات پوشیده و بدون دید بلوکه شود و یا منجر به ضربه برگشتی دستگاه بشود.

◀ قبل از شروع به کار. کنترل کنید که حفاظ ایمنی پائینی تیغه اره (حفاظ ایمنی خودکار) بخوبی بسته شده باشد. دستگاه اره را مورد استفاده قرار ندهید. چنانچه حفاظ ایمنی پائینی آزادانه حرکت نمیکند و یا فوراً بسته نمیشود. هرگز حفاظ ایمنی پائینی تیغه را در وضعیت باز مهار نکنید و یا آنرا با وسیله ای نبندید. چنانچه دستگاه اره ناخواسته به زمین بیفتد. ممکن است حفاظ ایمنی پائینی تیغه خمیده و کج شود. قاب محافظ را بوسیله اهرم مربوطه قابل برگشت باز کنید و مطمئن شوید که حفاظ ایمنی آزادانه حرکت میکند و در هر گونه زاویه ها و عمق های برش. یا تیغه اره و سایر قسمت ها برخورد نمیکند.

◀ عملکرد فنر حفاظ ایمنی پائینی تیغه را کنترل کنید. چنانچه عملکرد حفاظ ایمنی پائینی تیغه و فنر آن بدرستی صورت نگیرد. پیش از بکار بردن دستگاه اره. آنرا سرویس و تعمیر کنید. قطعات آسیب دیده. رسوبات چسبیده و یا جمع تراشه و خاک اره باعث کندی در عملکرد حفاظ ایمنی پائینی تیغه میشوند.

◀ همواره از تیغه اره های با اندازه. شکل و قطر سوراخ میانی مناسب استفاده کنید (از جمله تیغه الماس ستاره فرم و یا گرد). چنانچه تیغه اره ها با قطعات قابل نصب اره متناسب نباشند. حرکت نامنظم خارج از مرکز پیدا کرده و چرخش یکنواخت بدون نوسان نخواهد داشت و منجر به از دست رفتن کنترل میشوند.

◀ هرگز از واشر (صفحه زیر تیغه اره) نامتناسب و آسیب دیده برای تیغه اره و یا پیچ های نادرست برای آن استفاده نکنید. واشرها و همچنین پیچ های مخصوص تیغه اره. برای دستیابی به حداکثر توان و ایمنی در کار ساخته شده اند.

◀ علت های ضربه برگشتی (پس زدن) و جلوگیری از آن:
- پس زدن دستگاه یک عکس العمل ناگهانی است که در اثر گیر کردن و یا تعبیه و تنظیم اشتباه تیغه اره حاصل میشود. پس زدن دستگاه منجر به از دست رفتن کنترل میشود و بدلیل حرکت بدون کنترل اره. خطر بیرون آمدن آن از داخل قطعه کار و حرکت اره به سمت فردی که با دستگاه کار میکند. وجود دارد.
- چنانچه تیغه اره در شکاف اره در حال انسداد گیر کند. بلوکه میشود و قدرت موتور. اره را به سمت فردی که با دستگاه کار میکند شتاب میدهد.

- در صورت چرخش نامتوازن تیغه اره در شکاف برش و یا در صورت تنظیم و جاگذاری اشتباه تیغه اره. آنگاه امکان گیر کردن دندان های لبه عقبی تیغه اره در سطح قطعه کار وجود دارد و در نتیجه تیغه اره از شکاف برش خارج میشود و اره به طرف فردی که با آن کار میکند. به عقب جهش پیدا میکند.
پس زدن دستگاه در نتیجه استفاده غلط و ناقص از اره صورت میگردد. با اعمال احتیاط و با اقدامات ایمنی که ذیلاً تشریح میشود. میتوان از آن پیشگیری بعمل آورد.

◀ اره را با هر دو دست محکم بگیرید و بازوهای خود را در حالتی قرار دهید که قادر به کنترل ضربه برگشتی (نیروی پس زننده دستگاه) باشید. همواره با دستگاه به نحوی کار کنید که هرگز بدن شما با تیغه اره مستقیماً در یک مسیر و یک خط قرار نگیرد. بلکه در سطح جانبی. کنار تیغه اره قرار داشته باشد. در صورت بروز ضربه به عقب. امکان جهش تیغه اره به عقب وجود دارد. در اینصورت فردی که با دستگاه کار میکند. میتواند با اقدامات ایمنی مناسب و با رعایت احتیاط بر اینگونه نیروها مسلط باشد.

◀ چنانچه تیغه اره گیر کند و یا در صورت قطع کار بهر دلیلی. در اینصورت دستگاه اره را خاموش کنید و اره را در قطعه کار آرام نگهدارید تا تیغه اره کاملاً به حالت سکون برسد. تا زمانی که تیغه اره در حال حرکت است. هرگز تلاش به بیرون آوردن تیغه اره از داخل قطعه کار نکنید و یا تیغه اره را به عقب نکشید. در غیر اینصورت امکان پس زدن و ضربه برگشتی وجود دارد. علت گیر کردن تیغه اره را جستجو کرده و آنرا برطرف کنید.

(g) ابزارهای الکتریکی، متعلقات، ابزاری که روی دستگاه نصب می شوند و غیره را مطابق دستورات این جزوه راهنما طوری به کار گیرید که با مدل این دستگاه تناسب داشته باشند. همچنین به شرایط کاری و نوع کار توجه کنید. کاربرد ابزار برقی برای موارد کاری که برای آن در نظر گرفته نشده است. می تواند شرایط خطرناکی را منجر شود.

5 سرویس

(a) برای تعمیر ابزار الکتریکی فقط به متخصصین حرفه ای رجوع کرده و از وسایل بدکی اصل استفاده کنید. این باعث خواهد شد که ایمنی دستگاه شما تضمین گردد.

راهنمایی های ایمنی برای این دستگاه

- ◀ **خطر:** مواظب باشید که هرگز دستهای شما در محدوده اره قرار نگیرد و با تیغه اره تماس پیدا نکنید. با دست دیگر خود دسته کمکی و یا بدنه موتور را بگیرید. چنانچه با هر دو دست خود دستگاه اره را بگیرید. دستهای شما بوسیله تیغه اره آسیب نمی بینند.
- ◀ **هرگز زیر قطعه کار را نگیرید.** قاب محافظ در ناحیه زیر قطعه کار قادر به محافظت شما از آسیب دیدگی توسط تیغه اره نمیباشد.
- ◀ **میزان عمق برش را با ضخامت قطعه کار متناسب و تنظیم کنید.** بایستی کمتر از ارتفاع یک دندانه کامل تیغه اره از زیر قطعه کار قابل رؤیت باشد.
- ◀ **هرگز قطعه ای را که میخواهید اره کنید بوسیله دست نگیرید و یا آنرا بر روی پای خود قرار ندهید.** قطعه کار را بوسیله یک قرارگاه و یا سکوی محکم، تثبیت کنید. مهم است که قطعه کار بخوبی مهار شده باشد تا خطر تماس بدنی. گیر کردن تیغه اره و یا از دادن کنترل کاهش یابد.
- ◀ **در صورتیکه بسته به نوع کارتان، امکان تماس ابزار الکتریکی با کابل های برق داخل ساختمان که قابل رؤیت نیستند و یا کابل خود دستگاه وجود داشته باشد، دستگاه را منحصراً از دسته و سطوح عایق دار آن نگهدارید.** تماس با سیم و کابلی که هادی جریان برق است، می تواند در بخش های فلزی دستگاه نیز جریان برق تولید کند و باعث برق گرفتگی شود.
- ◀ **همواره هنگام برش های طولی از یک راهنمای برش و یا راهنمای برش مستقیم برای کناره استفاده کنید.** این کار باعث انجام برش دقیق میشود و احتمال گیر کردن تیغه اره را تقلیل میدهد.

(e) وضعیت بدن شما باید در حالت عادی قرار داشته باشد. برای کار جای مطمئنی برای خود انتخاب کرده و تعادل خود را همواره حفظ کنید. به این ترتیب می توانید ابزار الکتریکی را در وضعیت های غیر منظره بهتر خت کنترل داشته باشید.

(f) لباس مناسب بپوشید. از پوشیدن لباس های فراخ و حمل زینت آلات خود داری کنید. موها، لباس و دستکش ها را از بخش های درحال چرخش دستگاه دور نگهدارید. لباس های فراخ، موی بلند و زینت آلات ممکن است در قسمت های درحال چرخش دستگاه گیرکنند.

(g) در صورتیکه می توانید وسایل مکش گرد و غبار و یا وسیله جذب زائده را به دستگاه نصب کنید. باید مطمئن شوید که این وسایل نصب و درست استفاده می شوند. استفاده از وسایل مکش گرد و غبار مصونیت شما را در برابر گرد و غبار زیاد تر میکند.

4 استفاده صحیح از ابزار الکتریکی و مراقبت از آن

(a) از وارد کردن فشار زیاد روی دستگاه خود داری کنید. برای هر کاری، از ابزار الکتریکی مناسب با آن استفاده کنید. بکار گرفتن ابزار الکتریکی مناسب باعث میشود که بتوانید از توان دستگاه بهتر و با اطمینان بیشتر استفاده کنید.

(b) در صورت ایراد در کلید قطع و وصل ابزار برقی، از دستگاه استفاده نکنید. ابزار الکتریکی که نمی توان آنها را قطع و وصل کرد، خطرناک بوده و باید تعمیر شوند.

(c) قبل از تنظیم ابزار الکتریکی، تعویض متعلقات و یا کنار گذاشتن آن، دوشاخه را از برق کشیده و یا باتری آنرا خارج کنید. رعایت این اقدامات پیشگیری ایمنی از راه افتادن ناخواسته ابزار الکتریکی جلوگیری می کند.

(d) ابزار الکتریکی را در صورت عدم استفاده، از دسترس کودکان دور نگهدارید. اجازه ندهید که افراد نا وارد و یا اشخاصی که این دفترچه راهنما را نخوانده اند، با این دستگاه کار کنند. قرار گرفتن ابزار الکتریکی در دست افراد ناوارد و بی تجربه خطرناک است.

(e) از ابزار الکتریکی خوب مراقبت کنید. مواظب باشید که قسمت های متحرک دستگاه خوب کار کرده و گیر نکنند. همچنین دقت کنید که قطعات ابزار الکتریکی شکسته و یا آسیب دیده نباشند. قطعات آسیب دیده را قبل از شروع به کار تعمیر کنید. علت بسیاری از سوانح کاری، عدم مراقبت کامل از ابزارهای الکتریکی می باشد.

(f) ابزار برش را تیز و تمیز نگهدارید. ابزار برشی که خوب مراقبت شده و از لبه های تیز برخوردارند، کمتر درقطعه کار گیر کرده و بهتر قابل هدایت می باشند.

راهنمایی های ایمنی عمومی برای ابزارهای

الکتریکی

⚠ هشدار

همه دستورات ایمنی و راهنمایی ها را بخوانید. اشتباهات ناشی از عدم رعایت این دستورات ایمنی

مکن است باعث برق گرفتگی، سوختگی و یا سایر جراحات های شدید شود.

همه هشدار های ایمنی و راهنمایی ها را برای آینده خوب نگهداری کنید.

هرجا در این راهنما از «ابزار الکتریکی» صحبت میشود، منظور ابزارهای الکتریکی (باسیم برق) و یا ابزارهای الکتریکی باتری دار (بدون سیم برق) می باشد.

1 ایمنی محل کار

(a) محل کار خود را تمیز، مرتب و مجهز به نور کافی نگهدارید. محیط کار نامرتب و کم نور میتواند باعث سوانح کاری شود.

(b) با ابزار الکتریکی در محیط هایی که در آن خطر انفجار وجود داشته و حاوی مایعات، گازها و غبارهای محترقه باشد، کار نکنید. ابزارهای الکتریکی جرقه هایی ایجاد میکنند که می توانند باعث آتش گرفتن گرد و بخارهای موجود در هوا شوند.

(c) هنگام کار با ابزار الکتریکی، کودکان و سایر افراد را از دستگاه دور نگهدارید. در صورتیکه حواس شما پرت شود، مکن است کنترل دستگاه از دست شما خارج شود.

2 ایمنی الکتریکی

(a) دوشاخه ابزار الکتریکی باید با پریز برق تناسب داشته باشد. هیچگونه تغییری در دوشاخه ندهید. مبدل دوشاخه نباید همراه با ابزار الکتریکی دارای اتصال به زمین استفاده شود. دوشاخه های اصل و تغییر داده نشده و پریزهای مناسب، خطر شوک الکتریکی و برق گرفتگی را کم می کنند.

(b) از تماس بدنی با قطعات دارای سیم اتصال به زمین مانند لوله، شوفاژ، اجاق برقی و یخچال خود داری کنید. در صورت تماس بدنی با سطوح و قطعات دارای اتصال به زمین و همچنین تماس شما با زمین، خطر برق گرفتگی افزایش می یابد.

(c) دستگاه را از باران و رطوبت دور نگهدارید. نفوذ آب به ابزار الکتریکی، خطر شوک الکتریکی را افزایش میدهد.

(d) از سیم دستگاه برای کارهایی چون حمل ابزار الکتریکی، آویزان کردن آن و یا خارج کردن دوشاخه از برق استفاده نکنید. کابل دستگاه را در مقابل حرارت، روغن، لیه های تیز و بخش های متحرک دستگاه دور نگهدارید. کابل های آسیب دیده و یا گره خورده خطر شوک الکتریکی را افزایش میدهند.

(e) در صورتیکه با ابزار الکتریکی در محیط باز کار میکنید، تنها از کابل رابطی استفاده کنید که برای محیط باز نیز مناسب باشد. کابل های رابط مناسب برای محیط باز، خطر برق گرفتگی را کم می کنند.

(f) در صورت لزوم کار با ابزار الکتریکی در محیط و اماکن مرطوب، در اینصورت باید از یک کلید حفاظتی جریان خطا و نشستی زمین (کلید قطع کننده اتصال با زمین) استفاده کنید. استفاده از کلید حفاظتی جریان خطا و نشستی زمین خطر برق گرفتگی را کمتر می کند.

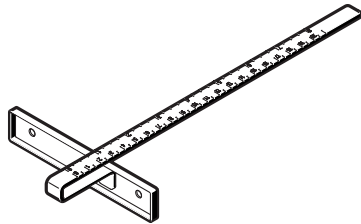
3 رعایت ایمنی اشخاص

(a) حواس خود را خوب جمع کنید. به کار خود دقت کنید و با فکر و هوش کامل با ابزار الکتریکی کار کنید. در صورت خستگی و یا در صورتیکه مواد مخدر، الکل و دارو استفاده کرده اید، با ابزار الکتریکی کار نکنید. یک لحظه بی توجهی هنگام کار با ابزار الکتریکی، میتواند جراحات های شدیدی به همراه داشته باشد.

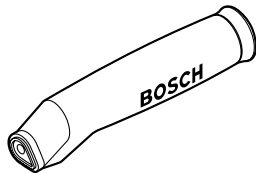
(b) از تجهیزات ایمنی شخصی و از عینک ایمنی همواره استفاده کنید. استفاده از تجهیزات ایمنی مانند ماسک ایمنی، کفش های ایمنی ضد لغزش، کلاه ایمنی و گوشی ایمنی متناسب با نوع کار با ابزار الکتریکی، خطر مجروح شدن را تقلیل میدهد.

(c) مواظب باشید که ابزار الکتریکی بطور ناخواسته بکار نیفتد. قبل از وارد کردن دوشاخه دستگاه در پریز برق، اتصال آن به باتری، برداشتن آن و یا حمل دستگاه، باید دقت کنید که ابزار الکتریکی خاموش باشد. در صورتیکه هنگام حمل دستگاه انگشت شما روی دکمه قطع و وصل باشد و یا دستگاه را در حالت روشن به برق بزنید، مکن است سوانح کاری پیش آید.

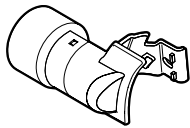
(d) قبل از روشن کردن ابزار الکتریکی، باید همه ابزارهای تنظیم کننده و آچارها را از روی دستگاه بردارید. ابزار و آچارهایی که روی بخش های چرخنده دستگاه قرار دارند، میتوانند باعث ایجاد جراحات شوند.



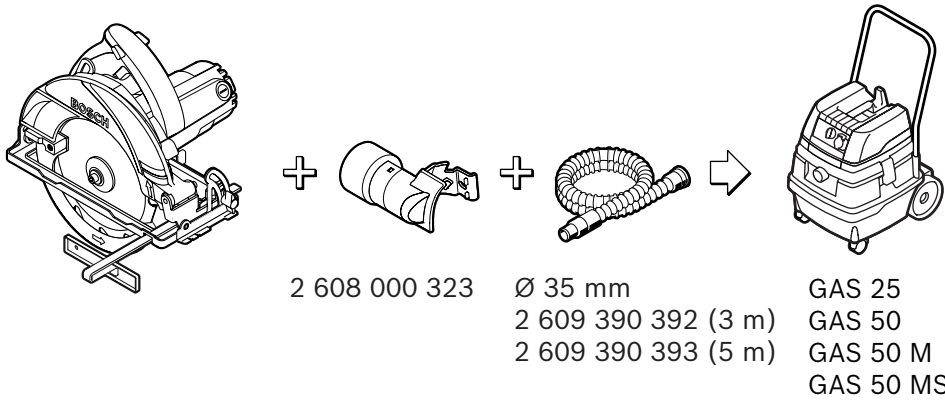
2 608 000 322



2 608 000 324



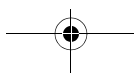
3 601 E23 ...:
2 608 000 323

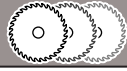


2 608 000 323

Ø 35 mm
2 609 390 392 (3 m)
2 609 390 393 (5 m)

GAS 25
GAS 50
GAS 50 M
GAS 50 MS





optiline
WOOD



speedline
WOOD

fast
CUT



MULTI
MATERIAL



CONSTRUCT
WOOD

fast
CUT

